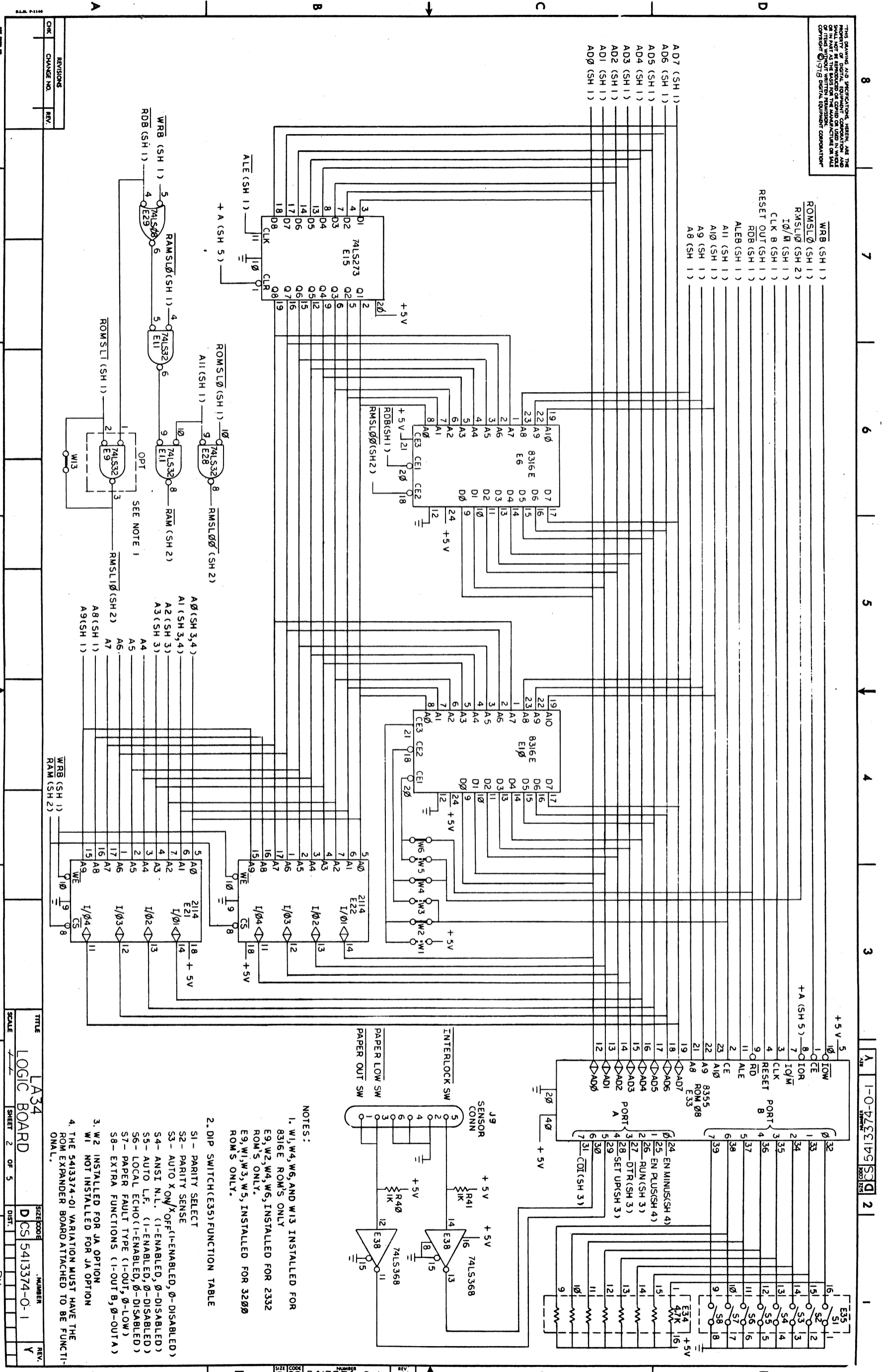


THIS DRAWING AND SPECIFICATIONS, HEREIN, ARE THE PROPERTY OF THE MANUFACTURER AND ARE NOT TO BE REPRODUCED OR TRANSMITTED IN ANY FORM OR BY ANY MEANS, ELECTRONIC OR MECHANICAL, INCLUDING PHOTOCOPYING, RECORDING, OR BY ANY INFORMATION STORAGE AND RETRIEVAL SYSTEM, WITHOUT THE WRITTEN PERMISSION OF THE MANUFACTURER.



- NOTES:
1. W1, W4, W6, AND W13 INSTALLED FOR 8316 ROM'S ONLY.
E9, W2, W4, W6, INSTALLED FOR 2332 ROM'S ONLY.
E9, W1, W3, W5, INSTALLED FOR 3200 ROM'S ONLY.
 2. DIP SWITCH(E33) FUNCTION TABLE
 3. W2 INSTALLED FOR JA OPTION
W1 NOT INSTALLED FOR JA OPTION
 4. THE 5413374-01 VARIATION MUST HAVE THE ROM EXPANDER BOARD ATTACHED TO BE FUNCTIONAL.

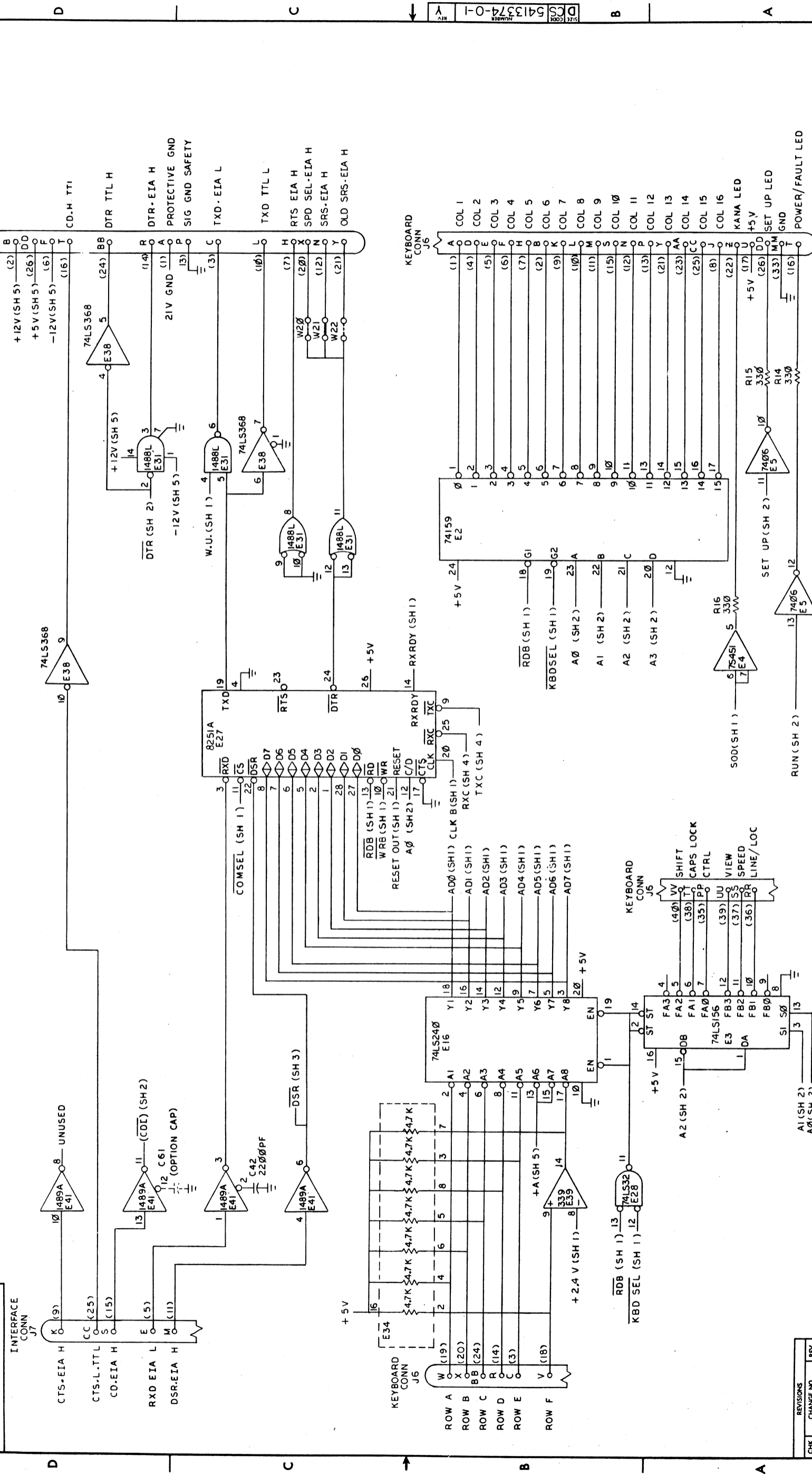
REV.	DESCRIPTION
1	REV.

TITLE	NUMBER	REV.
LA34	5413374-0-1	Y

SCALE	SHEET	OF	TOTAL
1:1	2	5	

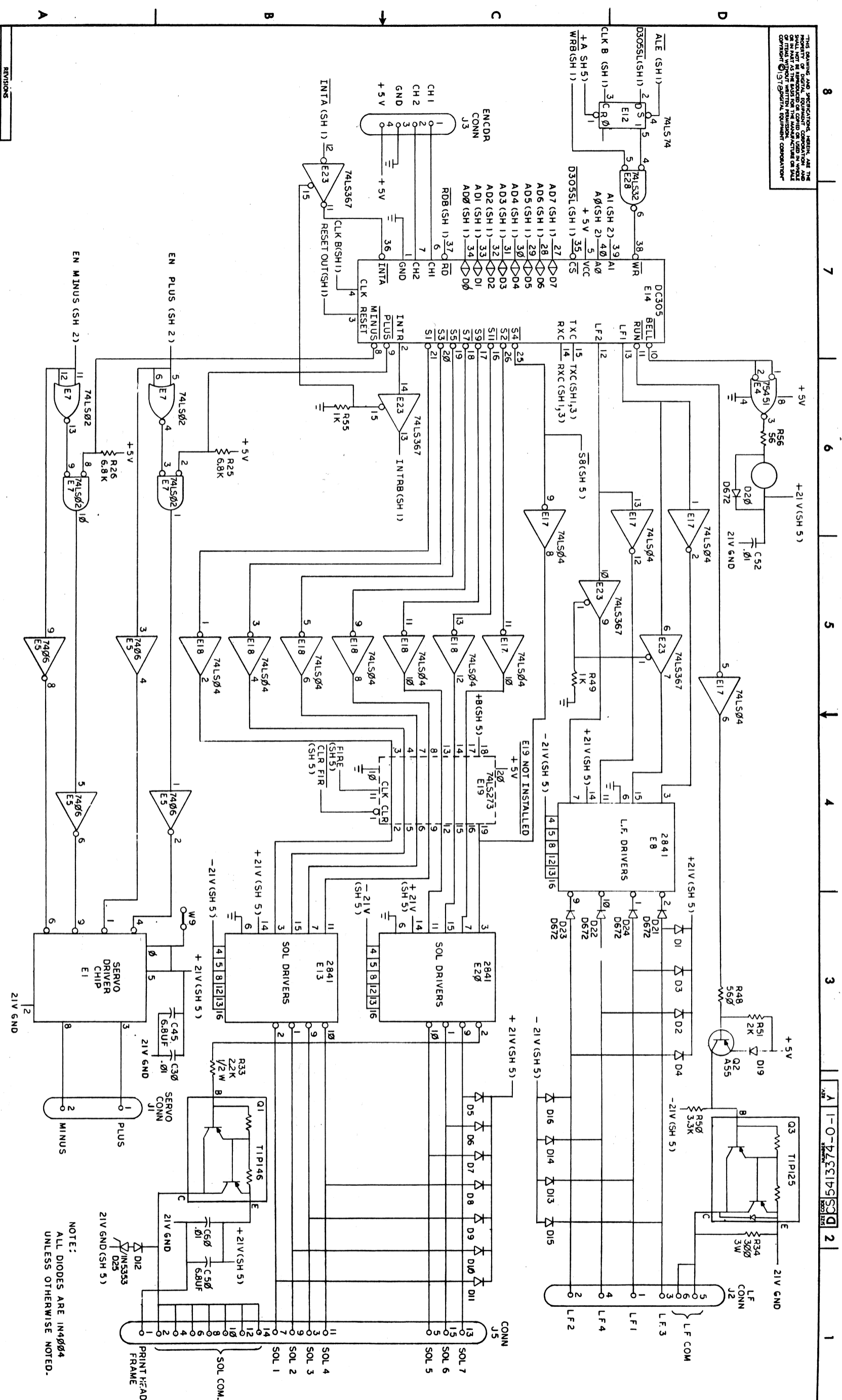
DCS 5413374-0-1

THIS DRAWING AND SPECIFICATIONS, HEREIN, ARE THE PROPERTY OF DIGITAL EQUIPMENT CORPORATION AND ARE TO BE USED BY THE USER ONLY AS A GUIDE TO THE MANUFACTURE OF EQUIPMENT OR AS PART OF THE BASIS FOR THE MANUFACTURE OF EQUIPMENT OR AS PART OF THE BASIS FOR THE MANUFACTURE OF EQUIPMENT OR AS PART OF THE BASIS FOR THE MANUFACTURE OF EQUIPMENT. © 1975 DIGITAL EQUIPMENT CORPORATION



REV. V		NUMBER 5413374-0-1		SIZE CODE DCS	
LA34		LOGIC BOARD		TITLE	
SCALE 7-1		SHEET 3 OF 5		2	
8		7		6	
5		4		3	
2		1		REV. V	

THIS DRAWING AND SPECIFICATIONS, HEREIN, ARE THE PROPERTY OF THE MANUFACTURER AND SHALL NOT BE REPRODUCED OR COPIED OR USED IN WHOLE OR IN PART AS THE BASIS FOR THE MANUFACTURE OF SALE EQUIPMENT WITHOUT THE WRITTEN CONSENT OF THE MANUFACTURER. EQUIPMENT COMPLIANT WITH THE SPECIFICATIONS OF THE MANUFACTURER SHALL BE CONSIDERED TO BE THE PROPERTY OF THE MANUFACTURER.



REV.	NUMBER	SIZE/DATE	TITLE	SCALE	SHEET	OF	REV.
Y	5413374-0-1	DCS	LOGIC BOARD	1/1	4	5	1

REV.	NUMBER	SIZE/DATE	TITLE	SCALE	SHEET	OF	REV.
Y	5413374-0-1	DCS	LOGIC BOARD	1/1	4	5	1

REV.	NUMBER	SIZE/DATE	TITLE	SCALE	SHEET	OF	REV.
Y	5413374-0-1	DCS	LOGIC BOARD	1/1	4	5	1

REV.	NUMBER	SIZE/DATE	TITLE	SCALE	SHEET	OF	REV.
Y	5413374-0-1	DCS	LOGIC BOARD	1/1	4	5	1

REV.	NUMBER	SIZE/DATE	TITLE	SCALE	SHEET	OF	REV.
Y	5413374-0-1	DCS	LOGIC BOARD	1/1	4	5	1

REV.	NUMBER	SIZE/DATE	TITLE	SCALE	SHEET	OF	REV.
Y	5413374-0-1	DCS	LOGIC BOARD	1/1	4	5	1

REV.	NUMBER	SIZE/DATE	TITLE	SCALE	SHEET	OF	REV.
Y	5413374-0-1	DCS	LOGIC BOARD	1/1	4	5	1

REV.	NUMBER	SIZE/DATE	TITLE	SCALE	SHEET	OF	REV.
Y	5413374-0-1	DCS	LOGIC BOARD	1/1	4	5	1

REV.	NUMBER	SIZE/DATE	TITLE	SCALE	SHEET	OF	REV.
Y	5413374-0-1	DCS	LOGIC BOARD	1/1	4	5	1

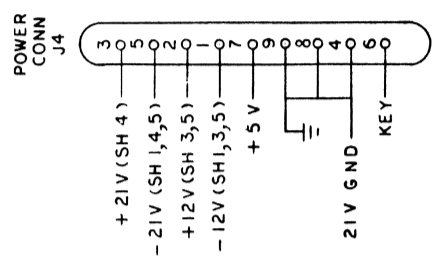
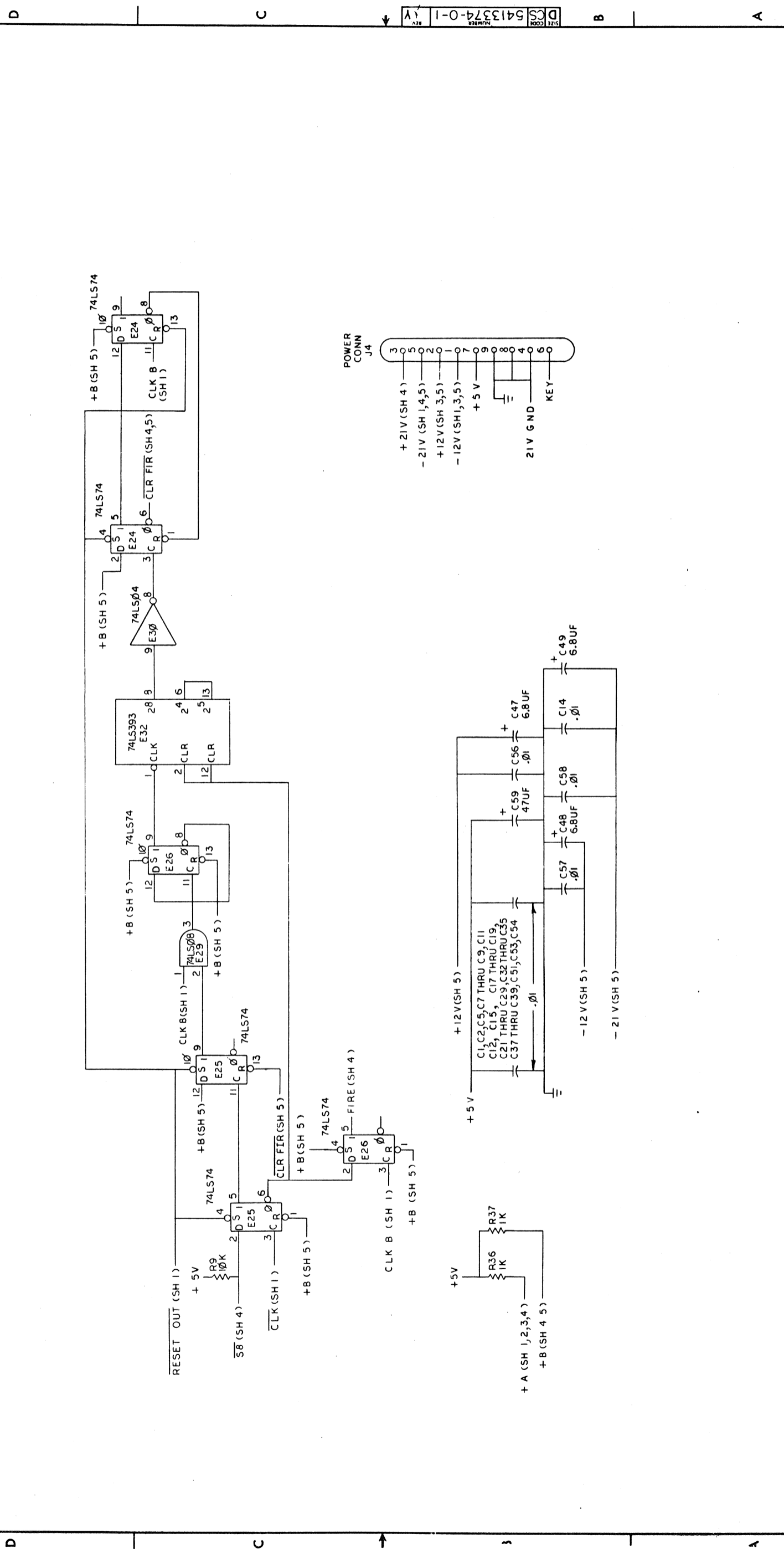
NOTE:
ALL DIODES ARE IN4004
UNLESS OTHERWISE NOTED.

REV.	NUMBER	SIZE/DATE	TITLE	SCALE	SHEET	OF	REV.
Y	5413374-0-1	DCS	LOGIC BOARD	1/1	4	5	1

THIS DRAWING AND SPECIFICATIONS, HEREIN, ARE THE PROPERTY OF THE MANUFACTURER AND SHALL NOT BE REPRODUCED OR COPIED OR USED IN WHOLE OR IN PART AS THE BASIS FOR THE MANUFACTURE OR SALE OF ANY EQUIPMENT WITHOUT THE WRITTEN PERMISSION OF THE MANUFACTURER. © 1978 DIGITAL EQUIPMENT CORPORATION

8 7 6 5 4 3 2 1

NOTE:
IC'S E24, E25, 26, E32 AND R37 NOT INSTALLED.



REV. Y		SIZE CODE DCS 5413374-0-1		NUMBER 5413374-0-1		REV. Y	
TITLE LA34 LOGIC BOARD		SHEET 5 OF 5		DIST.		PN 1	
SCALE		2		3		4	
5		6		7		8	

REV. B
 NUMBER 5413284-0
 CODE DD
 SIZE B

REVISIONS

DRAWING NO.	NO. OF SHTS.	PART NO.	DESCRIPTION	DATE	CHG NO.	REV.	USED ON OPTION/MODEL	DRN. P. BOSSMAN	7/7/78	TITLE
B-DD-5413284-0	1		MODULE REVISION LA34 KEYBOARD MODULE				LA34			LA34 KEYBOARD MODULE
D-UA-5413284-0-0	3		LA34 KEYBOARD MODULE							
D-MD-5013283-0-0	4		DRILL & ETCH DRAWING							
D-CS-5413284-0-1	1		LA34 KEYBOARD MODULE							
		5013283	ETCHED BOARD							
K-PL-5413284-0-DBP	-		PARTS LIST DATA BASE (5413284)							
K-PC-5413284-0-DBG	-		P.C. DESIGN DATA BASE (5413284)							

NOTES:

DATE	CHG NO.	REV.
		ORIG
		A
		B
		PN-001
		PN-002
		B

digital

THIS DRAWING AND SPECIFICATIONS, HEREIN, ARE THE PROPERTY OF DIGITAL EQUIPMENT CORPORATION AND SHALL NOT BE REPRODUCED OR COPIED OR USED IN WHOLE OR IN PART AS THE BASIS FOR THE MANUFACTURE OR SALE OF ITEMS WITHOUT WRITTEN PERMISSION.

COPYRIGHT © 1978 DIGITAL EQUIPMENT CORPORATION

DRB 128

USED ON OPTION/MODEL: LA34

DRN. P. BOSSMAN

CHK'D: *B. Brauman* 10 JUL 78

ENG: *B. Donohue* 10 AUG 78

PRD: *L. Lohman* 8/10/78

TITLE: LA34 KEYBOARD MODULE

SIZE: B DD

NUMBER: 5413284-0

REV. B

SHEET 1 OF 1

DJA 5413284-0-0 2

3

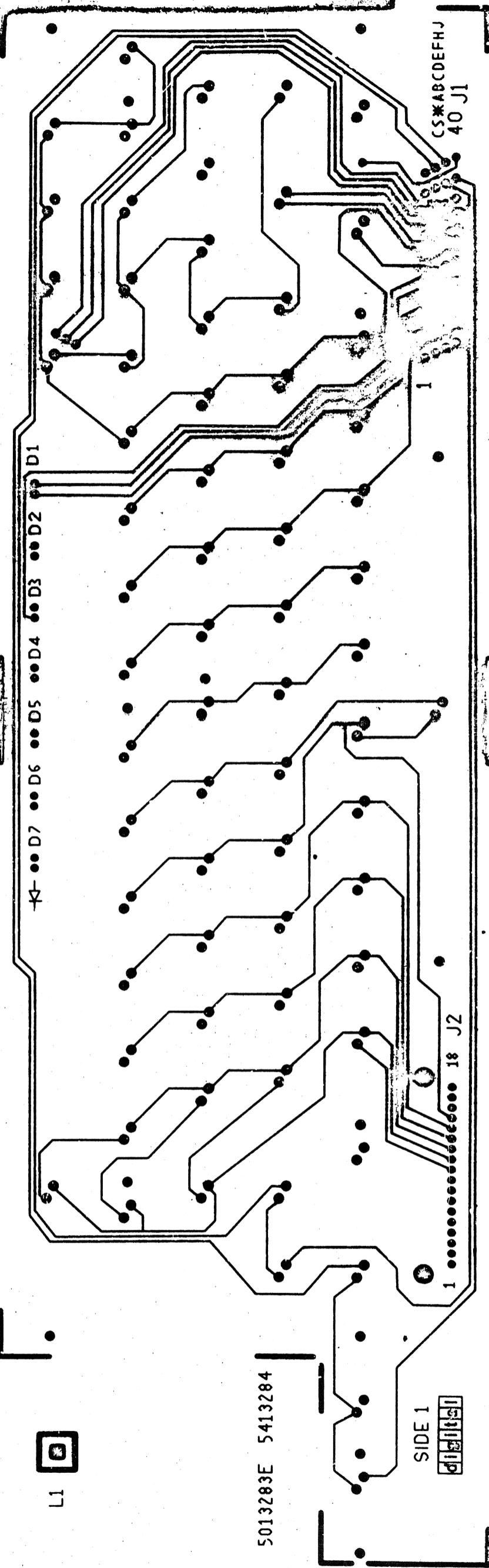
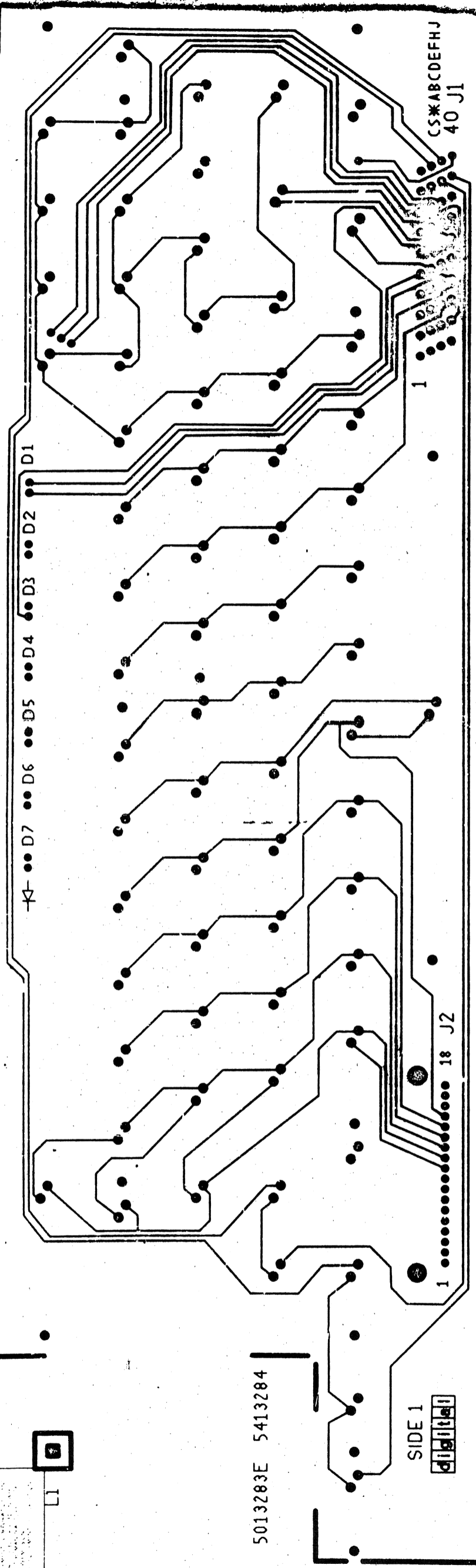
4

5

6

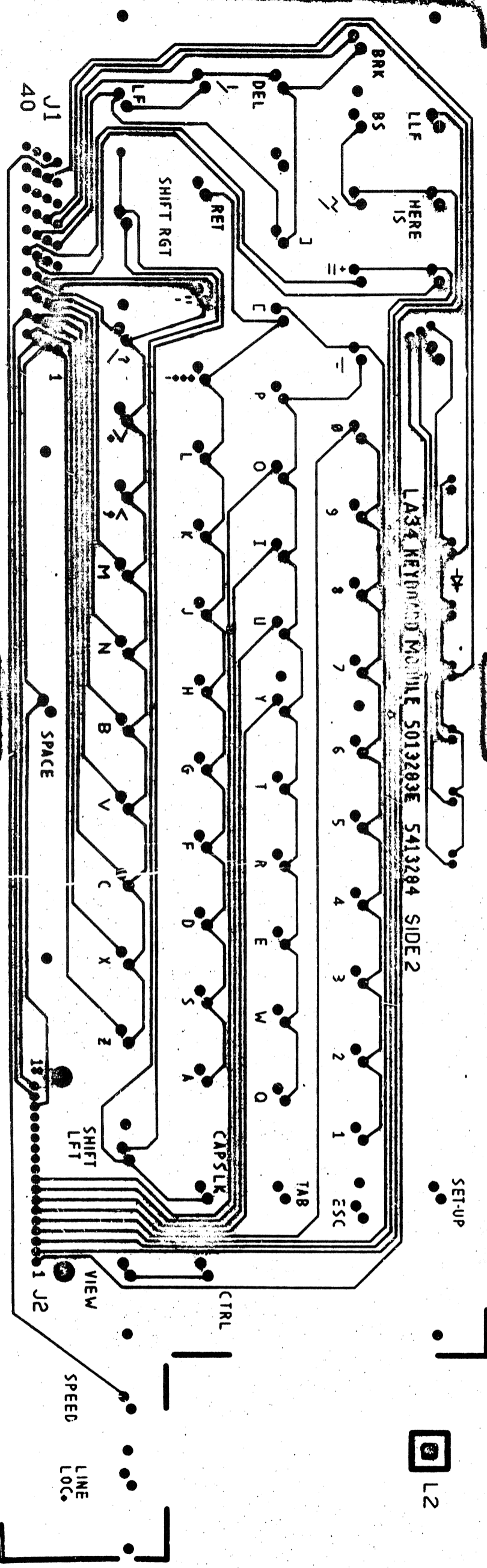
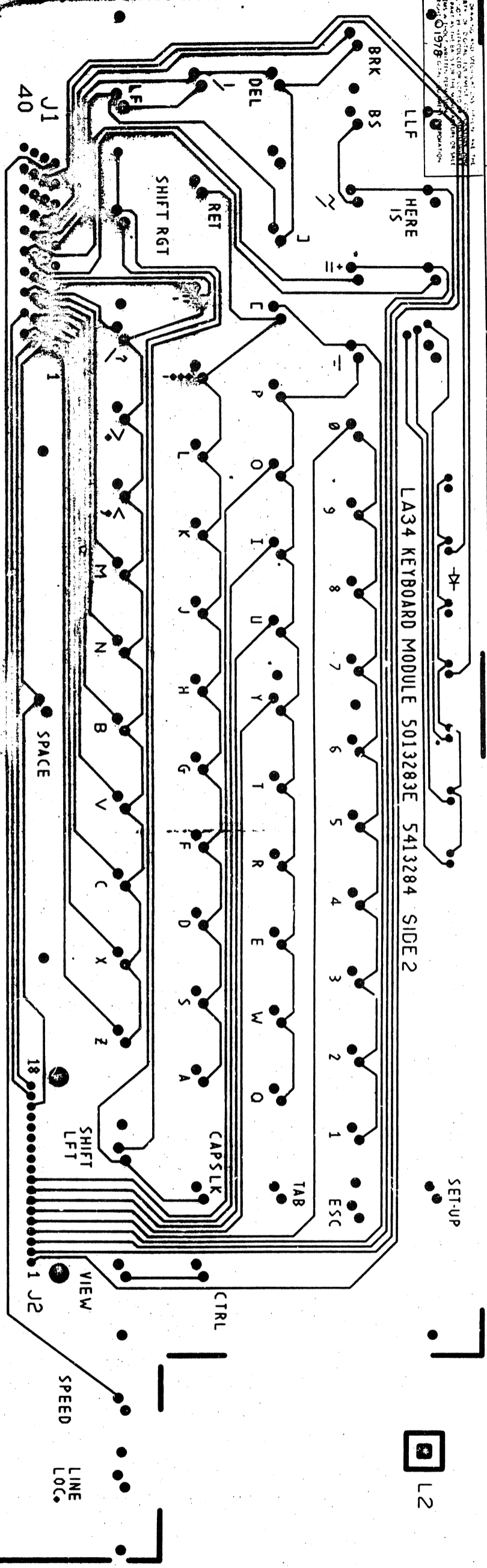
7

8



REV	F
NUMBER	DJA 5413284-0-0
SIZE CODE	D
TITLE	LA34 KEYBOARD MODULE
SCALE	2/1
SHEET	2
DIST	3
	2
	3
	4
	5
	6
	7
	8

LA34 KEYBOARD MODULE 5013283E 5413284 SIDE 2
 01978



REV	DATE	BY	CHKD	CHANGED NO	REV
TITLE LA34 KEYBOARD MODULE					
SCALE 2/1					
SHEET 3 OF 3					
DVA 5413284-0-0					
F					

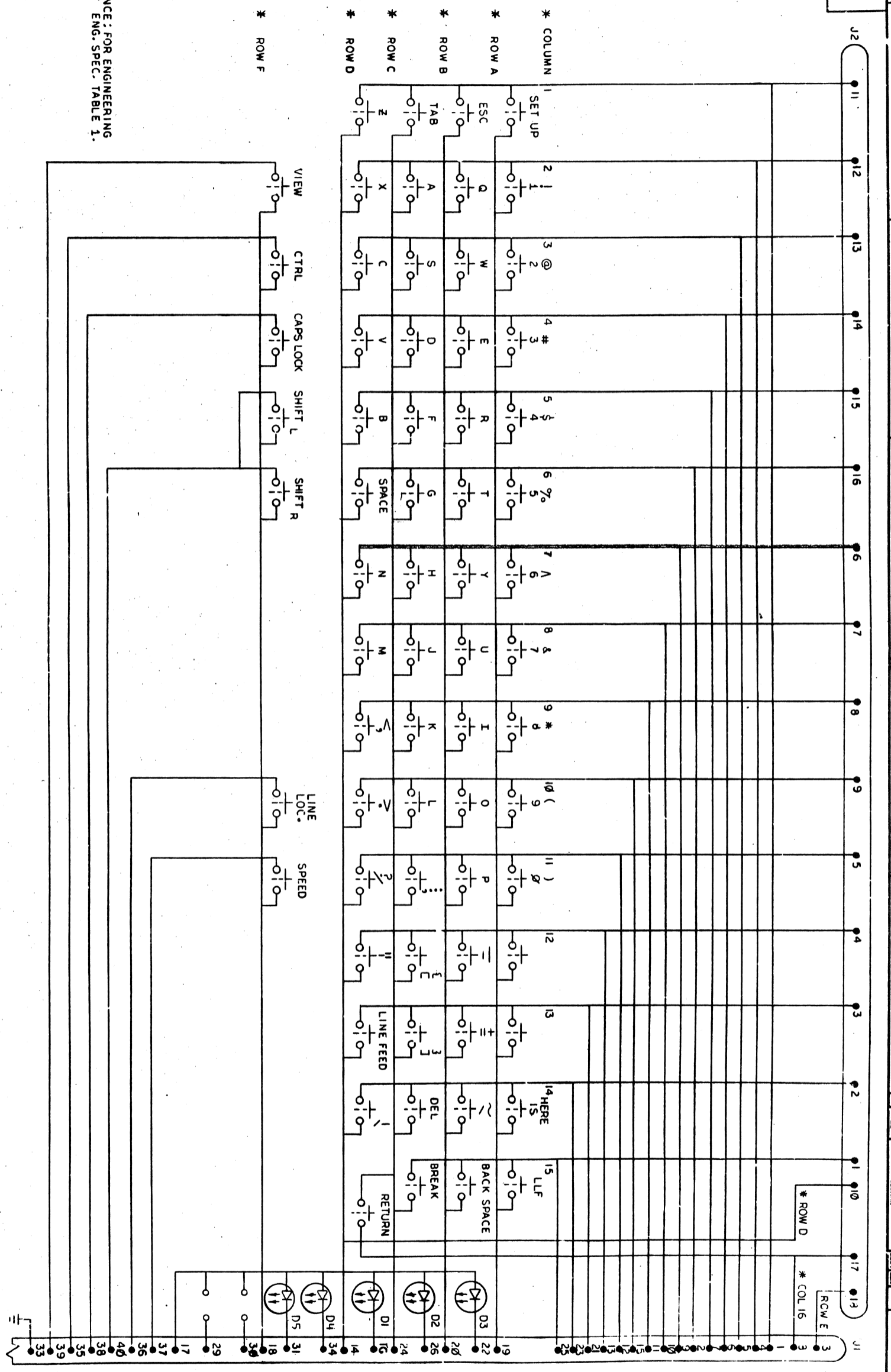
LINE ITEM	DOCUMENT NUMBER	PART NUMBER	DESCRIPTION	QTY PER VARIATION	REFERENCE DESIGNATOR
1		5013283-00	ETCH BOARD FOR 5413284	1	
2		1110864-00	LED 2MCE\$10MA	5	01-05
3		1210073-00	CONN 40POS INSUL PIERCING	1	J1
4		1415324-01	CONN 16POS GOLD PLATED	1	J2
5		7013910-00	KEYBOARD ARRAY ASSY	1	
6		7015527-00	OPERATOR SWITCH ASSY	1	
7		9010033-00	SCREW,PAN,PHILLIPS, 4-24 X 3/8	6	

REVISION HISTORY	ECO NUMBER	REV	SECTION	VARIATION INDEX	CHK'D	DATE	BY	DESCRIPTION
INIT								
1	5413284-PM001	E	[A]	00	R. DONOHUE	22-JUN-78		LA34 KEYBOARD MODULE
2	5413284-PM002	F	[B]		B. DONOHUE	22-JUN-78		
3			[C]		B. DONOHUE	22-JUN-78		
4			[D]		B. DONOHUE	22-JUN-78		
5			[E]		B. DONOHUE	22-JUN-78		
6			[F]		B. DONOHUE	22-JUN-78		
7			[H]		B. DONOHUE	22-JUN-78		
8			[J]		B. DONOHUE	22-JUN-78		
9			[K]		B. DONOHUE	22-JUN-78		
10			[L]		B. DONOHUE	22-JUN-78		
11			[M]		B. DONOHUE	22-JUN-78		
12			[N]		B. DONOHUE	22-JUN-78		

THIS DRAWING AND SPECIFICATIONS HEREIN, ARE THE PROPERTY OF DIGITAL EQUIPMENT CORPORATION AND SHALL NOT BE REPRODUCED OR COPIED OR USED IN WHOLE OR IN PART AS THE BASIS FOR THE MANUFACTURE OR SALE OF ITEMS WITHOUT WRITTEN PERMISSION. COPYRIGHT (C) 1981, DIGITAL EQUIPMENT CORPORATION

THIS DRAWING AND INFORMATION CONTAINED HEREIN ARE THE PROPERTY OF BENTON & BOWLES, INC. AND ARE NOT TO BE REPRODUCED OR TRANSMITTED IN ANY FORM OR BY ANY MEANS, ELECTRONIC OR MECHANICAL, INCLUDING PHOTOCOPYING, RECORDING, OR BY ANY INFORMATION STORAGE AND RETRIEVAL SYSTEM, WITHOUT THE WRITTEN PERMISSION OF BENTON & BOWLES, INC.

8 7 6 5 4 3 2 1



NOTE:
1. * REFERENCE: FOR ENGINEERING USE, SEE ENG. SPEC. TABLE 1.

REV.	CHANGED BY	DATE
1	J. BITTO	27 Oct 81
2	L. NG	29 Oct 81

DRN	LA34	LA34
CHK'D BY	LA34	LA34
ENG. P.L.D.	LA34	LA34
MOD. BY	LA34	LA34
NEXT HIGHER ASSY.	LA34	LA34
DIST.	LA34	LA34
SCALE	LA34	LA34
SHEET	LA34	LA34
OF	LA34	LA34
DIST.	LA34	LA34

LA34
KEYBOARD MODULE
REV. F
NUMBER 5413284-0-1
SCALE
SHEET 1 OF 1