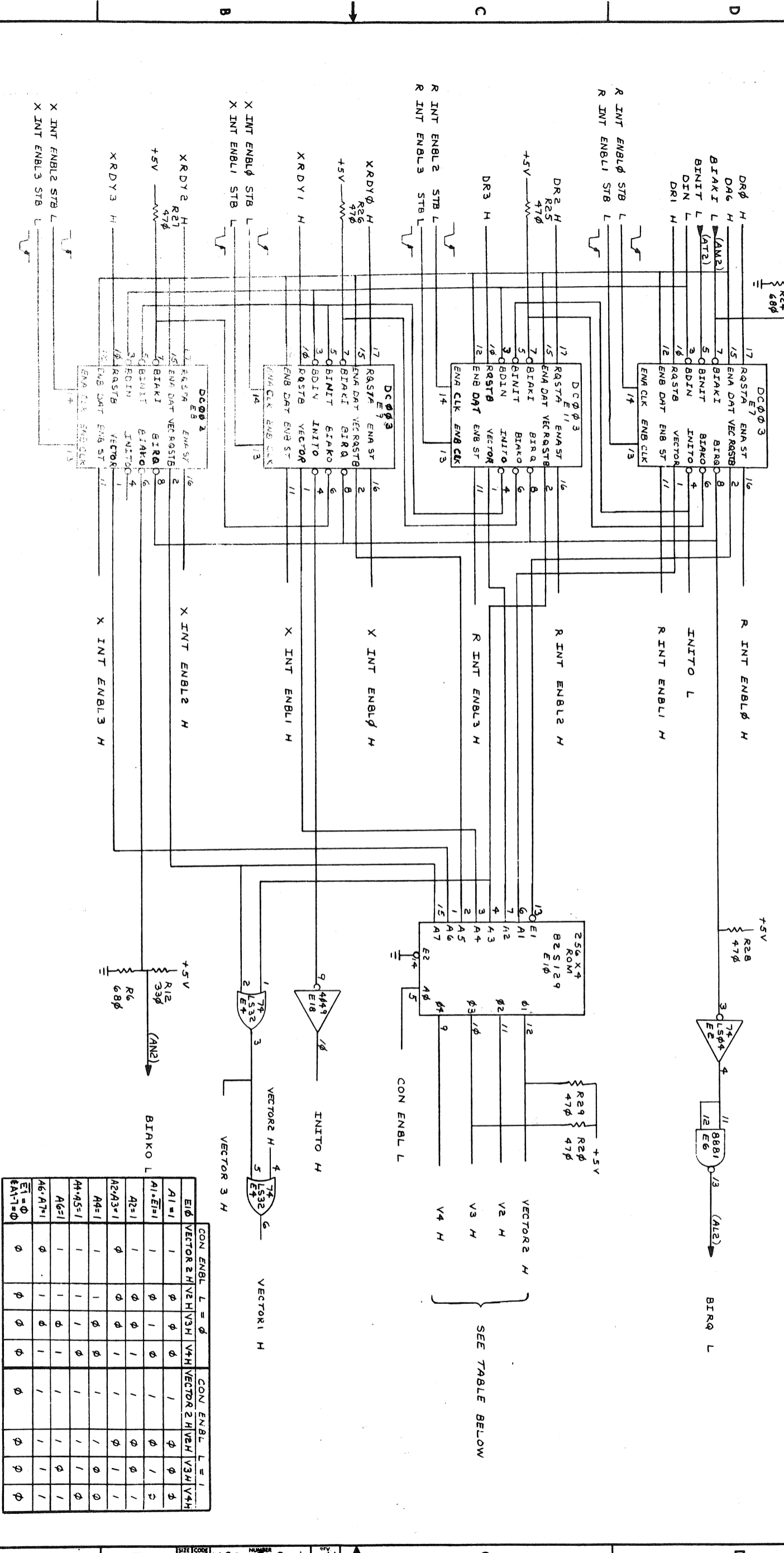


THIS DRAWING AND SPECIFICATION, HEREIN, ARE THE PROPERTY OF THE MANUFACTURER AND SHALL NOT BE REPRODUCED OR COPIED OR USED IN WHOLE OR IN PART AS THE BASIS FOR THE MANUFACTURE OR SALE OF EQUIPMENT WITHOUT THE WRITTEN CONSENT OF THE MANUFACTURER.



CON ENBL L = 0	CON ENBL L = 1
E10 VECTOR 2 H VEH V3H V4H	VECTOR 2 H VEH V3H V4H
A1=1	φ
A1·E1=1	φ
A2=1	φ
A2·A3=1	φ
A4=1	φ
A4·A5=1	φ
A6=1	φ
A6·A7=1	φ
E1=φ	φ
E1·1=φ	φ

SEE TABLE BELOW

REVISIONS

CHK	CHANGE NO.	REV.

BASEPAGE P-1000

NO.	DESCRIPTION
8	
7	
6	
5	
4	
3	
2	
1	

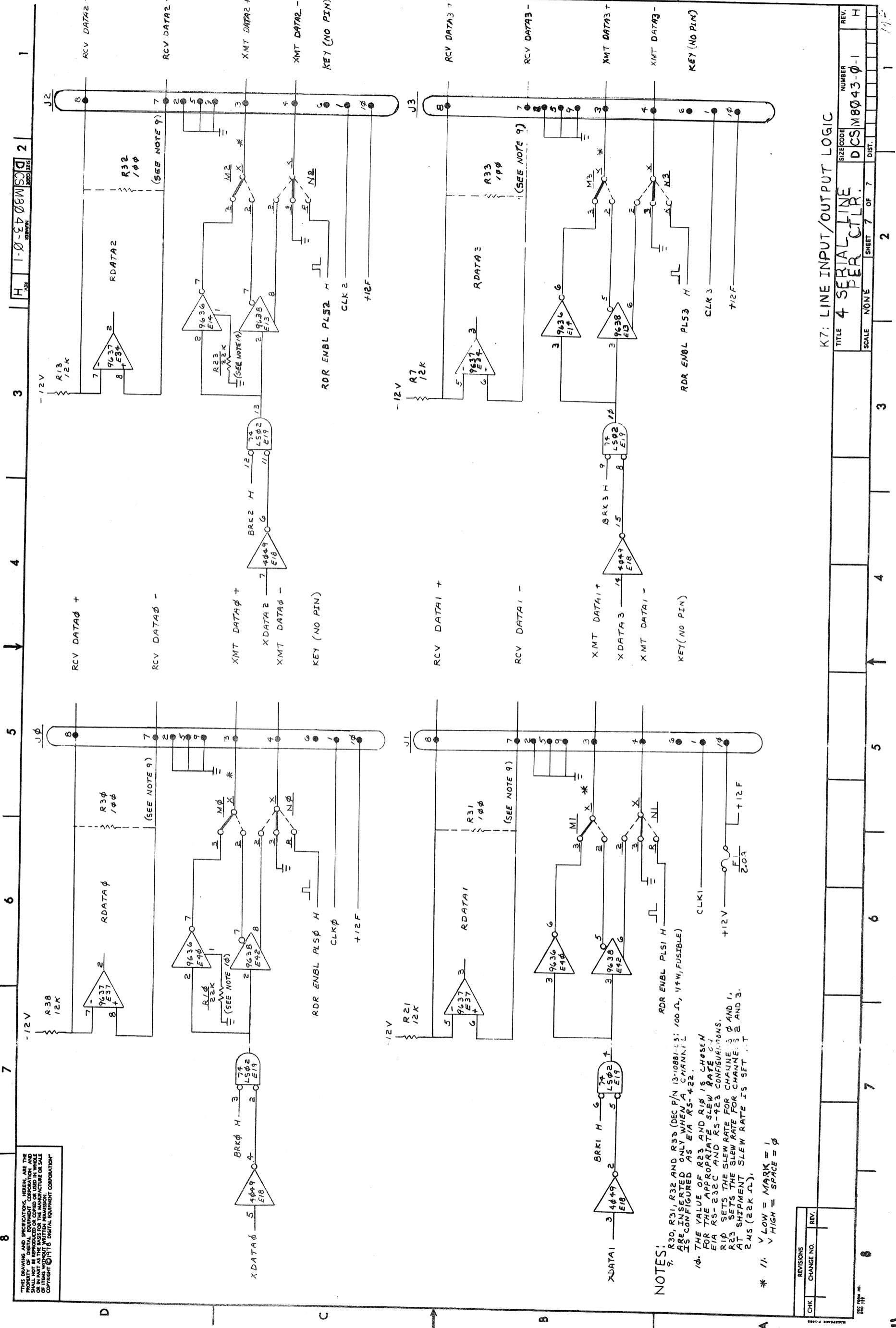
K4: INTERRUPT, VECTOR AND INIT LOGIC

TITLE: 4 SERIAL LINE PER. CTRL.

SIZE CODE: DCSM8043-0-1

NUMBER: 1

REV. H



1
2
3
4
5
6
7
8

RCV DATA2 +
RCV DATA2 -
XMT DATA2 +
XMT DATA2 -
KEY (NO PIN)
CLK2
+12V

RCV DATA3 +
RCV DATA3 -
XMT DATA3 +
XMT DATA3 -
KEY (NO PIN)
CLK3
+12V

RCV DATA0 +
RCV DATA0 -
XMT DATA0 +
XMT DATA0 -
KEY (NO PIN)
CLK0
+12V

RCV DATA1 +
RCV DATA1 -
XMT DATA1 +
XMT DATA1 -
KEY (NO PIN)
CLK1
+12V

RCV DATA2 +
RCV DATA2 -
XMT DATA2 +
XMT DATA2 -
KEY (NO PIN)
CLK2
+12V

RCV DATA3 +
RCV DATA3 -
XMT DATA3 +
XMT DATA3 -
KEY (NO PIN)
CLK3
+12V

RCV DATA0 +
RCV DATA0 -
XMT DATA0 +
XMT DATA0 -
KEY (NO PIN)
CLK0
+12V

RCV DATA1 +
RCV DATA1 -
XMT DATA1 +
XMT DATA1 -
KEY (NO PIN)
CLK1
+12V

RCV DATA2 +
RCV DATA2 -
XMT DATA2 +
XMT DATA2 -
KEY (NO PIN)
CLK2
+12V

RCV DATA3 +
RCV DATA3 -
XMT DATA3 +
XMT DATA3 -
KEY (NO PIN)
CLK3
+12V

RCV DATA0 +
RCV DATA0 -
XMT DATA0 +
XMT DATA0 -
KEY (NO PIN)
CLK0
+12V

RCV DATA1 +
RCV DATA1 -
XMT DATA1 +
XMT DATA1 -
KEY (NO PIN)
CLK1
+12V

RCV DATA2 +
RCV DATA2 -
XMT DATA2 +
XMT DATA2 -
KEY (NO PIN)
CLK2
+12V

RCV DATA3 +
RCV DATA3 -
XMT DATA3 +
XMT DATA3 -
KEY (NO PIN)
CLK3
+12V

RCV DATA0 +
RCV DATA0 -
XMT DATA0 +
XMT DATA0 -
KEY (NO PIN)
CLK0
+12V

RCV DATA1 +
RCV DATA1 -
XMT DATA1 +
XMT DATA1 -
KEY (NO PIN)
CLK1
+12V

RCV DATA2 +
RCV DATA2 -
XMT DATA2 +
XMT DATA2 -
KEY (NO PIN)
CLK2
+12V

RCV DATA3 +
RCV DATA3 -
XMT DATA3 +
XMT DATA3 -
KEY (NO PIN)
CLK3
+12V

RCV DATA0 +
RCV DATA0 -
XMT DATA0 +
XMT DATA0 -
KEY (NO PIN)
CLK0
+12V

RCV DATA1 +
RCV DATA1 -
XMT DATA1 +
XMT DATA1 -
KEY (NO PIN)
CLK1
+12V

RCV DATA2 +
RCV DATA2 -
XMT DATA2 +
XMT DATA2 -
KEY (NO PIN)
CLK2
+12V

RCV DATA3 +
RCV DATA3 -
XMT DATA3 +
XMT DATA3 -
KEY (NO PIN)
CLK3
+12V

RCV DATA0 +
RCV DATA0 -
XMT DATA0 +
XMT DATA0 -
KEY (NO PIN)
CLK0
+12V

RCV DATA1 +
RCV DATA1 -
XMT DATA1 +
XMT DATA1 -
KEY (NO PIN)
CLK1
+12V

RCV DATA2 +
RCV DATA2 -
XMT DATA2 +
XMT DATA2 -
KEY (NO PIN)
CLK2
+12V

RCV DATA3 +
RCV DATA3 -
XMT DATA3 +
XMT DATA3 -
KEY (NO PIN)
CLK3
+12V

RCV DATA0 +
RCV DATA0 -
XMT DATA0 +
XMT DATA0 -
KEY (NO PIN)
CLK0
+12V

RCV DATA1 +
RCV DATA1 -
XMT DATA1 +
XMT DATA1 -
KEY (NO PIN)
CLK1
+12V

RCV DATA2 +
RCV DATA2 -
XMT DATA2 +
XMT DATA2 -
KEY (NO PIN)
CLK2
+12V

RCV DATA3 +
RCV DATA3 -
XMT DATA3 +
XMT DATA3 -
KEY (NO PIN)
CLK3
+12V

THE DRAWING AND SPECIFICATIONS HEREIN ARE THE PROPERTY OF DIGITAL EQUIPMENT CORPORATION AND ARE NOT TO BE REPRODUCED OR COPIED IN WHOLE OR IN PART WITHOUT WRITTEN PERMISSION. COPYRIGHT © 1976 DIGITAL EQUIPMENT CORPORATION

NOTES:
1. R30, R31, R32 AND R33 (DEC P/N 13-10881-03; 100Ω, 1/4W, FUSIBLE) ARE INSERTED ONLY WHEN A CHANNEL IS CONFIGURED AS EIA RS-422.
2. THE VALUE OF R23 AND R10 IS CHOSEN FOR THE APPROPRIATE SLEW RATE.
3. EIA RS-232C AND RS-423 CONFIGURATIONS. R10 SETS THE SLEW RATE FOR CHANNELS 0 AND 1. R23 SETS THE SLEW RATE FOR CHANNELS 2 AND 3. AT SHIPMENT SLEW RATE IS SET AT 2.45 (22KΩ).
* 1/ V LOW = MARK = 1
* 1/ V HIGH = SPACE = 0

REVISIONS
CHK CHANGE NO. REV.

TITLE 4 SERIAL LINE
SIZE CODE DCSM8043-0-1
NUMBER
REV. H

K7: LINE INPUT/OUTPUT LOGIC
SCALE NONE SHEET 7 OF 7

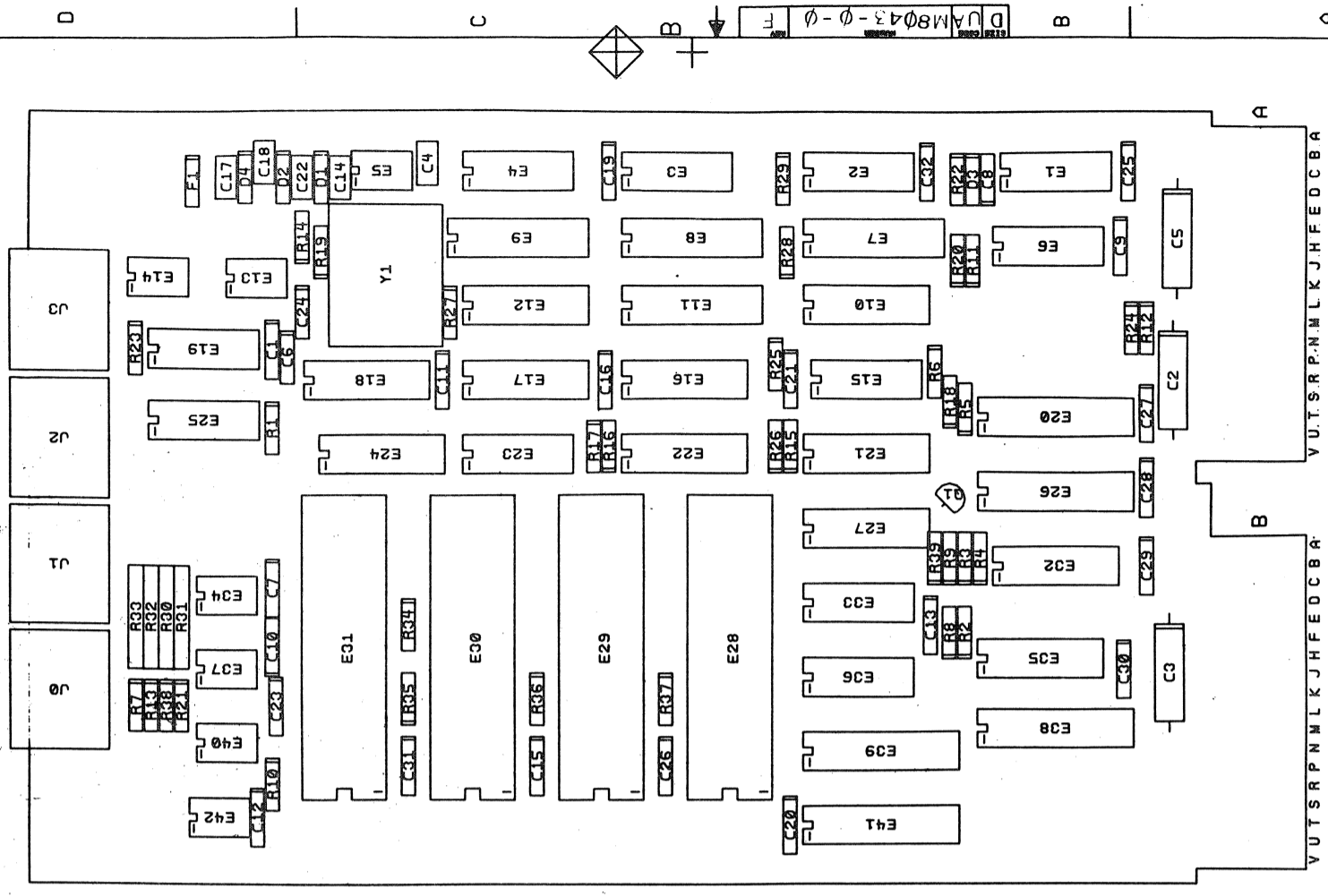
REV. H
NUMBER DCSM8043-0-1
SIZE CODE DCSM8043-0-1

SHEET 7 OF 7
SCALE NONE

REV. H
NUMBER DCSM8043-0-1
SIZE CODE DCSM8043-0-1

MR 1 2 3 4 5 6 7 8

THIS DRAWING AND SPECIFICATIONS, HEREIN, AND THE
 ANY OF THE INFORMATION CONTAINED HEREIN IS TO BE
 USED ONLY FOR THE PURPOSES AND IN THE MANNER
 SPECIFIED BY THE CONTRACT DOCUMENTS. THE
 CONTRACTOR SHALL BE RESPONSIBLE FOR OBTAINING
 ALL NECESSARY PERMITS AND APPROVALS.
 CONTRACT NO. 1478 DISTRICT CONTRACT COMPANIES



SIGNATURES	DATE
DRN.	
CHK'D.	
ENG.	
PROJ. ENG.	
PROD.	
SCALE 2/1	NUMBER
SHT. 2 OF 3	SIZE CODE
NEXT HIGHER ASSY. B-DD-M8043-0	D JA M8043-0-0
	REV

V U T S R P N M L K J H F E D C B A

digital

TITLE 4 SERIAL LINE

PER. C.T.L.R.

MR 1 MS#

CHANGE NO.	REV

NOTES:
