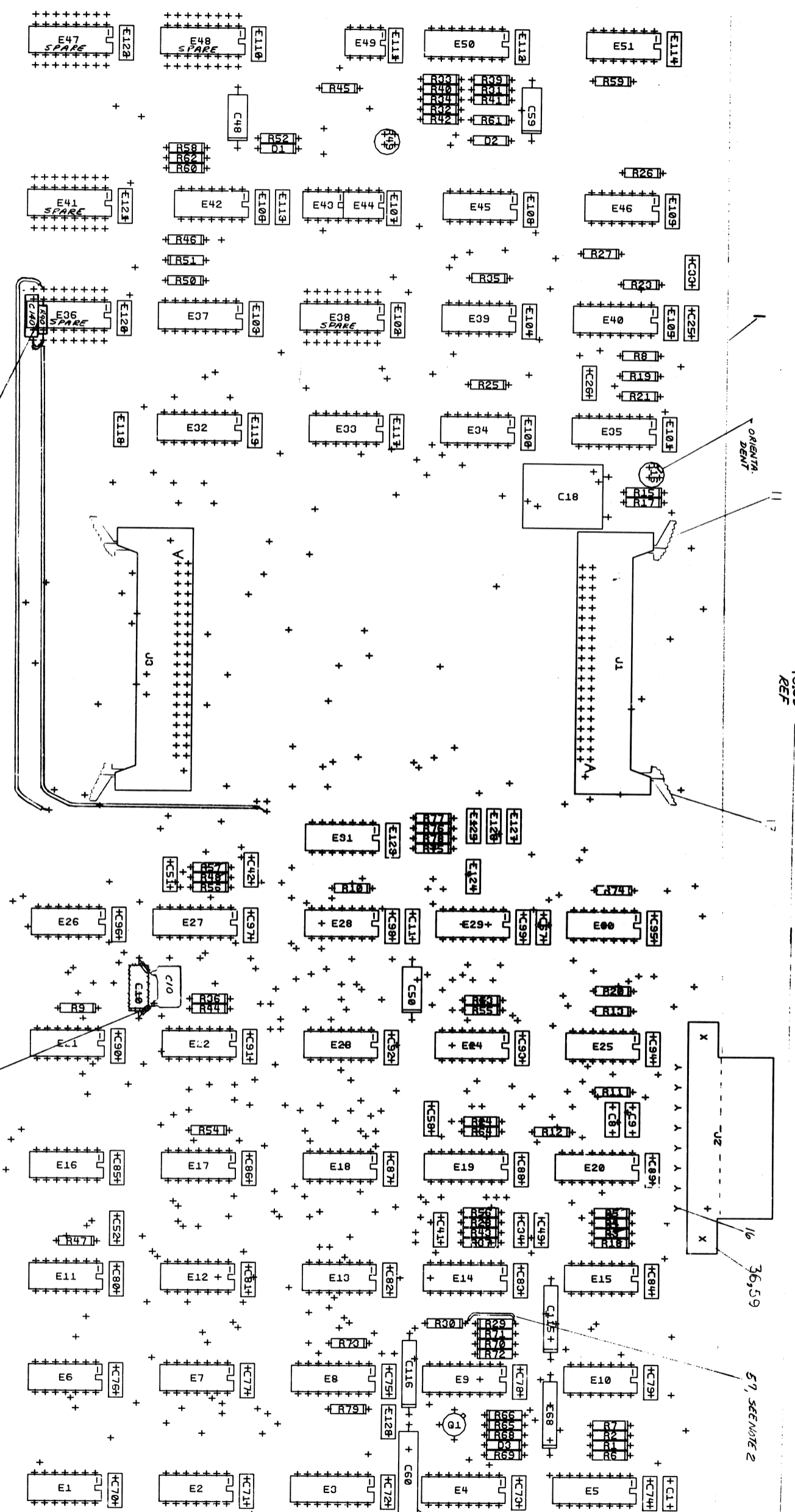


1569 REF
 COMPONENT SIDE VIEW
 1 2 3 4 5 6 7 8



NOTES: 1. KENORC INSTRUCTIONS: REPAIR
 G10, WAS 104E 20V - IS 10 00042-00, 80025
 INSTAL SLEEVE ASSY ITEM 58 ON LENS
 OF C10 REMOVE ASSY 18V C10 20V
 2. ADD KENORC WIRE ITEM 51
 3. REPAIR C60, WAS: R04J5, 50V
 IS: 41W, 20V - 1004818-00

CHK	CHANGE	NO	REV

- KENORC 1. ADD R90 ITEM 19 - 1002, IS 00229-00
 2. ADD C10, ITEM 58 - 0033W, 101140-00

ETCH REV.	DESIGN DTR BRSE REV.

SEE NOTE 1

SIGNATURES	DATE
DRN. [Signature]	11/17/68
CHK. D. [Signature]	11/17/68
ENG. [Signature]	11/17/68
PROJ. ENG. [Signature]	11/17/68
SCAL E. [Signature]	11/17/68
SMT. [Signature]	11/17/68

TITLE TAPE MOTION
 DAUGHTER BOARD
 SIZE CODE
 D UA 5412262-0-0
 NEXT HIGHER ASSY: B-DD-5412262-0-0
 1 Ms#81077

DIGITAL EQUIPMENT CORPORATION

PARTS LIST

MADE BY R. Sullivan	CHECKED <i>R. Sullivan</i>	SECTION 1
DATE 10 Oct 76	DATE 11/15/76	ISSUED SECTION 1
ENG <i>R. Sullivan</i>	PROD <i>R. Sullivan</i>	
DATE 3 Jan 77	DATE 3 Jan 77	

ITEM NO.	DRAWING NO.	PART NO.	DESCRIPTION	QUANTITY / VARIATION	REF DESIGNATION
1	D-UA-5411262-0-0 B-DD-5411262-0 D-CS-5411262-0-1		UNIT ASSY DWG DIRECTORY CIRCUIT SCHEMATIC	REF REF REF	
2	D-MD-5011261-0-0	10-01610-01	ETCHED CIRCUIT BOARD	1	
3		10-01776-00	CAP 1.0 UF 35V 10%	3	C59, C48, C50
4		10-00042-00	CAP 1000 PF 100V 5%	4	C11, C67, C52 C10
5		10-10274-01	CAP .22 UF 50V	3	C25, C58, C49
6		10-00027-00	CAP 820 PF 100V 5%	1	C26
7		10-10978-36	CAP .1 UF 50V	6	C1, C33, C42, C51, C34, C41
8		10-04813-00	CAP 10 UF 20V 10%	1	C68,
9		10-04814-00	CAP 47 UF 20V	1	C60
10		10-02627-00	CAP 2.2 UF 20V 10%	2	C115, C116
11		12-09941-03	LATCH, LEFT FOR ANG HEADER	2	
12		11-00114	DIODE D664	3	D1, D2, D3
13		12-09941-04	LATCH, RIGHT FOR ANG HEADER	2	
14		12-09941-02	CONN 40 PIN BERG	2	J1, J3
15		12-09340	CONN MATE-N-LOK 8 PIN	1	J2
16		12-09456-01	CONTACT (SOCKET TERMINAL)	8	

QUANTITY / VARIATION

NOTES:

USED ON: OPTION/MODEL H607

REF DESIGNATION

THIS DRAWING AND SPECIFICATIONS, HEREIN, ARE THE PROPERTY OF DIGITAL EQUIPMENT CORPORATION AND SHALL NOT BE REPRODUCED OR COPIED OR USED IN WHOLE OR IN PART AS THE BASIS FOR THE MANUFACTURE OR SALE OF ITEMS WITHOUT WRITTEN PERMISSION. COPYRIGHT © 1976 DIGITAL EQUIPMENT CORPORATION.

EN-01140A-16 R2/6/75) DR# 125

TITLE	ASSY NO.	SIZE	CODE	NUMBER	REV.
TAPE MOTION DAUGHTER BOARD	B-DD-5412262-0	B	PL	5412262-0-0	B
	SHEET 1 OF 4	INSERTION PARTS LIST DATA BASE REV 5			

DIGITAL EQUIPMENT CORPORATION

PARTS LIST

MADE BY	R. Sullivan	CHECKED	<i>Joe McFay</i>	SECTION	1
DATE	<i>20 Oct 76</i>	DATE	<i>11/15/76</i>	ISSUED SECTION	1
ENG	<i>S. Duff</i>	PROD	<i>E. Willard</i>		
DATE	<i>3 Jan 77</i>	DATE	<i>3 Jan 77</i>		

ITEM NO.	DRAWING NO.	PART NO.	DESCRIPTION	QUANTITY / VARIATION	REF DESIGNATION
17		13-04838	RES 43K 1/4W 5%	1	R21
18		13-02394	RES 30K 1/4W 5%	9	R1, R19, R23, R53, R64, R28, R36, R43, R56
19		13-00229-00	RES 100 1/4W 5%	1	R90
20		13-00250	RES 150 1/4W 5%	1	R58
21		13-02388	RES 2K 1/4W 5%	34	R2, R3, R6, R8, R15, R20, R24, R25, R26, R30, R32, R4, R7, R11, R13, R18, R27, R55, R59, R63, R72, R69, R73, R33, R34, R35, R42, R51, R52, R54, R57, R60, R61, R74
22		13-03179	RES 8.2K 1/4W 5%	1	R17
23		13-00479	RES 10K 1/4W 5%	6	R5, R12, R29, R37, R44, R48
24		13-02466	RES 100K 1/4W 5%	1	R62
25		13-04839	RES 51K 1/4W 5%	1	R50
26		13-02391	RES 20K 1/4W 5%	2	R31, R45
27		13-01320	RES 1.2 1/4W 5%	1	R46
28		13-00365	RES 1.0K 1/4W 5%	7	R39, R40, R41, R75, R76, R77, R78
29		13-00271	RES 220 1/4W 5%	3	R9, R10, R47
30		13-02396	RES 150K 1/4W 5%	1	R65
31		13-00510	RES 33K 1/4W 10%	1	R66
32		13-01808	RES 22K 1/4W 5%	3	R68, R70, R71
33		13-00202	RES 47 1/4W 5%	1	R79

NOTES:

USED ON: OPTION/MODEL H607

REF DESIGNATION

THIS DRAWING AND SPECIFICATIONS HEREIN ARE THE PROPERTY OF DIGITAL EQUIPMENT CORPORATION AND SHALL NOT BE REPRODUCED OR COPIED OR USED IN ANY MANNER WITHOUT THE WRITTEN PERMISSION OF DIGITAL EQUIPMENT CORPORATION.

DATE: 1976

EN: 01100A (R2) (R3) (R5) DRB 123

ASSY NO. B-DD-5412262-0-0 SHEET 2 OF 4

TITLE TAPE MOTION DAUGHTER BOARD

SIZE CODE B PL NUMBER 5412262-0-0 REV. B

INSERTION PARTS LIST DATA BASE REV B

DIGITAL EQUIPMENT CORPORATION

PARTS LIST

MADE BY R. Sullivan
 DATE 10 Oct 76
 ENG 34 Jul
 DATE 3 Jan 77

CHECKED *John Fitzgerald*
 DATE 11/5/76
 PROD *J. Holland*
 DATE 3 JAN 77

SECTION 1
 ISSUED SECTION 1

QUANTITY / VARIATION

ITEM NO.	DRAWING NO.	PART NO.	DESCRIPTION	QTY	VARIATION	REF DESIGNATION
34		13-09150-06	POT 50K 1/2" W 10% (ROUND)	1		R16
35		13-09150-04	POT 5K 1/2" W 10% (ROUND)	1		R49
36		90-06693	WASHER 3/8 DIA.	2		
37		15-09338	TRANS DEC 6531B	1		Q1
38		19-12108	I.C. IM339	1		E42
39		19-10436	I.C. 74123	9		E40, E19, E27, E35, E14, E20, E9, E4, E5
40		19-05547	I.C. 7474	8		E51, E46, E29, E30, E24, E25, E15, E10
41		19-10155	I.C. 7408	3		E12, E13, E2
42		19-09686	I.C. 7404	2		E16, E7
43		19-10011	I.C. 7486	3		E28, E21, E11
44		19-05575	I.C. 7400	2		E26, E6
45		19-09004	I.C. 7402	1		E18
46		19-10878	I.C. 7427	3		E22, E23, E1
47		19-10096	I.C. 74191	1		E50
48		19-10655	I.C. 74157	1		E32
49		19-10298	I.C. 741	1		E49
50		19-11195	I.C. 7497	1		E8
51		19-10035	I.C. 74197	3		E39, E34, E17
52		19-05576	I.C. 7410	1		E45

NOTES:

USED ON: OPTION/MODEL H607

REF DESIGNATION

THIS DRAWING AND SPECIFICATIONS ARE THE PROPERTY OF DIGITAL EQUIPMENT CORPORATION AND SHALL NOT BE REPRODUCED OR USED IN ANY MANNER WITHOUT THE WRITTEN PERMISSION OF THE MANUFACTURER. COPYRIGHT © 1976

DAUGHTER BOARD

ASSEMBLY NO. B-DD-5412262-0
 SHEET 3 OF 4

REV. CODE PL 5412262-0-0
 REV. B

DIGITAL EQUIPMENT CORPORATION

PARTS LIST

ITEM NO.	DRAWING NO.	PART NO.	DESCRIPTION	SECTION		ISSUED SECTION		QUANTITY / VARIATION								REF DESIGNATION		
				1	2	1	2	1	2	3	4	5	6	7	8		9	10
53		19-10406	I.C. 75451		2													E43, E44
54		19-10095	I.C. 74190		2													E37, E3
55		19-09267	I.C. 74H11		1													E33
56		91 07252-02	SLEEVING		A/R													
57		91 05740-55	WIRE, #30 AWG, GRN		A/R													
58		10 11740-01	CAP. .0033 UF, 50V, 10% CER		1													C140
59		90-06745	EYELET		2													
60		19-11469	I.C. 8640		1													E31
61		10-00024-00	CAP 470 PF 100V 5% DM		1													C128
62		10-01636-00	CAP 2400 PF 100V 5% DM		1													C18

NOTES:

USED ON: OPTION / MODEL H607

REF DESIGNATION

THIS DRAWING AND SPECIFICATIONS ARE THE PROPERTY OF DIGITAL EQUIPMENT CORPORATION AND SHALL NOT BE REPRODUCED OR COPIED IN ANY MANNER WITHOUT WRITTEN PERMISSION FROM DIGITAL EQUIPMENT CORPORATION.

DATE: 10 OCT 76
 ENG: H. Sullivan
 DATE: 3 Jan 77
 CHECKED: H. Sullivan
 DATE: 11/25/76
 PROD: H. Sullivan
 DATE: 3 JAN 77

ASSY NO. B-DD-5412262-0
 SHEET 4 OF 4

FILE: TAPE MOTION DAUGHTER BOARD

SIZE: B
 CODE: PL
 NUMBER: 5412262-0-0
 DATA BASE REV: B

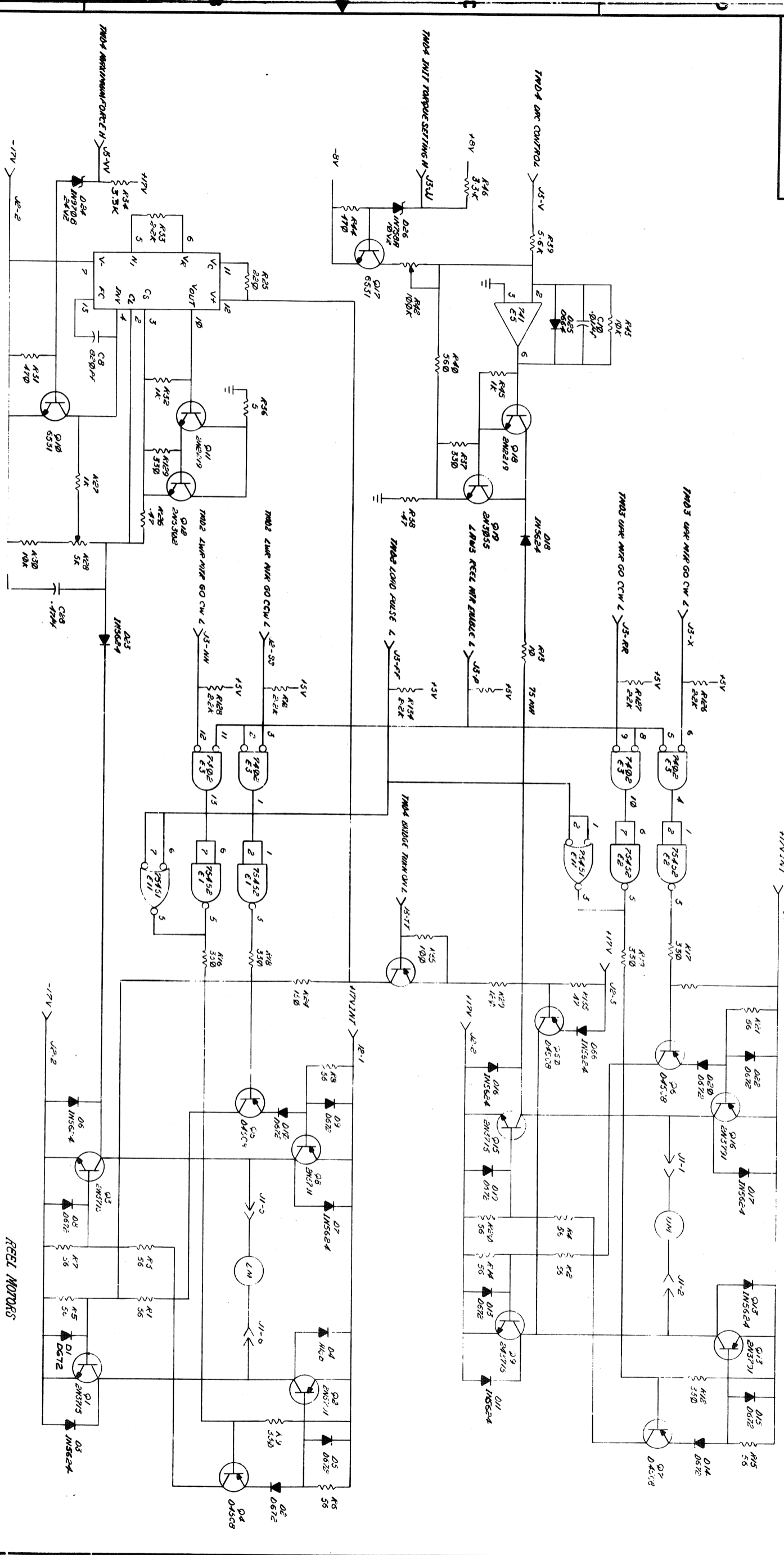
DRB 125

THIS DRAWING AND SPECIFICATIONS, HEREIN, ARE THE PROPERTY OF THE ARMY. REPRODUCTION OR TRANSMISSION IN ANY FORM OR BY ANY MEANS, WITHOUT PERMISSION IN WRITING FROM THE MANUFACTURING OR SERVICE CENTER OF THE ARMY, IS PROHIBITED.

REV.	CHG. NO.	DATE
1	5412264-00001	19 APR 78
2		
3		
4		

REVISIONS

CHK: JA
 STEVE HITTLE S APR 78
 H.D.R.A.B.
 H. D. D. (S) 19 APR 78

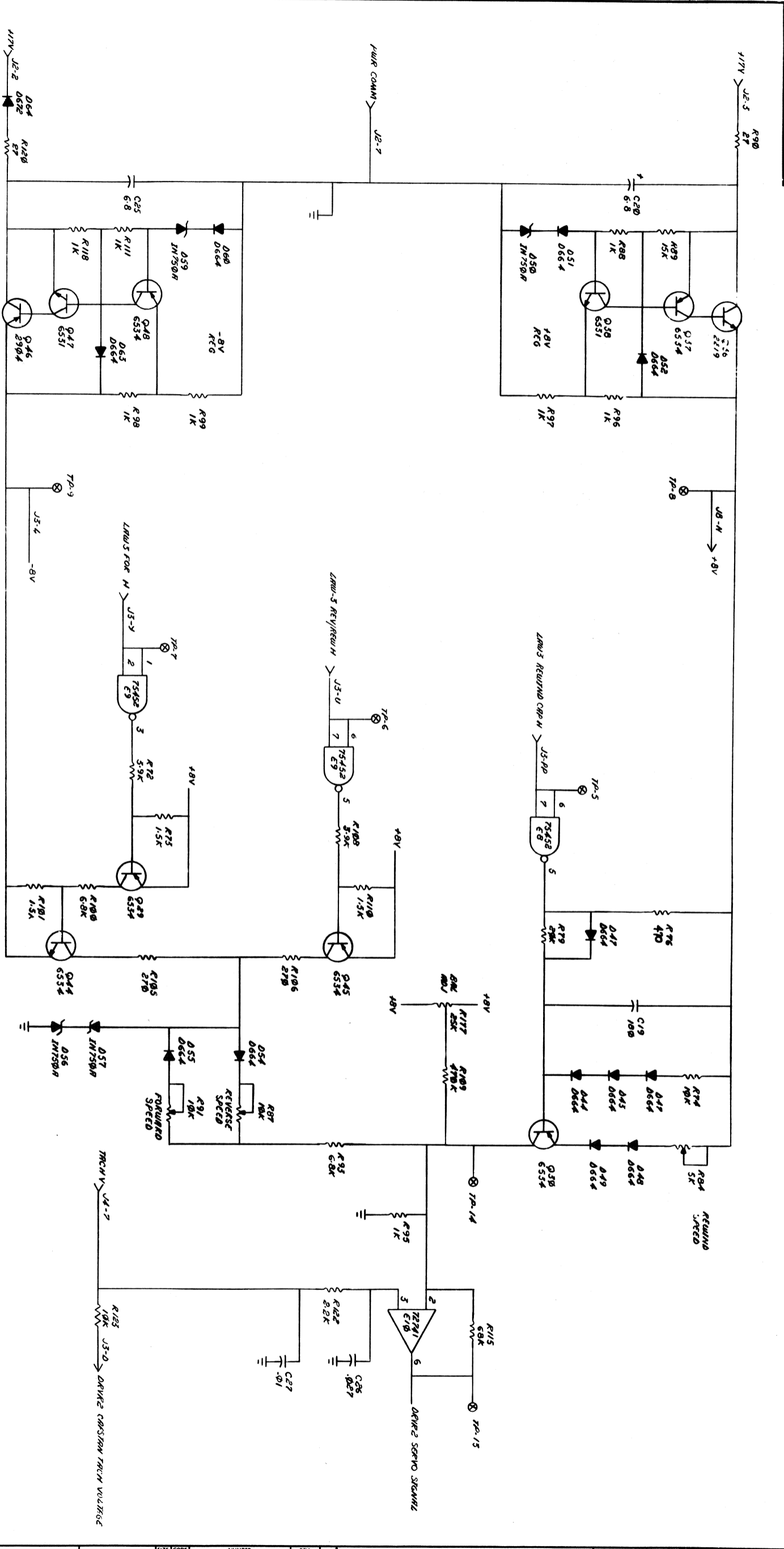


DRN: [Signature]	DATE: 11/27/76	FIGURE NO: H697
CHK: JA	DATE: 11/27/76	TITLE: TAPE MOTION POWER BOARD
ENG: [Signature]	DATE: 11/27/76	PROJ. NO: 5412264-0-1
PROJ. ENG: [Signature]	DATE: 11/27/76	SCALE: NONE
PROD. A: [Signature]	DATE: 11/27/76	SIZE: 1 OF 4
PROD. B: [Signature]	DATE: 11/27/76	REV. NO: 8
PROD. C: [Signature]	DATE: 11/27/76	REV. NO: 8
PROD. D: [Signature]	DATE: 11/27/76	REV. NO: 8
PROD. E: [Signature]	DATE: 11/27/76	REV. NO: 8
PROD. F: [Signature]	DATE: 11/27/76	REV. NO: 8
PROD. G: [Signature]	DATE: 11/27/76	REV. NO: 8
PROD. H: [Signature]	DATE: 11/27/76	REV. NO: 8
PROD. I: [Signature]	DATE: 11/27/76	REV. NO: 8
PROD. J: [Signature]	DATE: 11/27/76	REV. NO: 8
PROD. K: [Signature]	DATE: 11/27/76	REV. NO: 8
PROD. L: [Signature]	DATE: 11/27/76	REV. NO: 8
PROD. M: [Signature]	DATE: 11/27/76	REV. NO: 8
PROD. N: [Signature]	DATE: 11/27/76	REV. NO: 8
PROD. O: [Signature]	DATE: 11/27/76	REV. NO: 8
PROD. P: [Signature]	DATE: 11/27/76	REV. NO: 8
PROD. Q: [Signature]	DATE: 11/27/76	REV. NO: 8
PROD. R: [Signature]	DATE: 11/27/76	REV. NO: 8
PROD. S: [Signature]	DATE: 11/27/76	REV. NO: 8
PROD. T: [Signature]	DATE: 11/27/76	REV. NO: 8
PROD. U: [Signature]	DATE: 11/27/76	REV. NO: 8
PROD. V: [Signature]	DATE: 11/27/76	REV. NO: 8
PROD. W: [Signature]	DATE: 11/27/76	REV. NO: 8
PROD. X: [Signature]	DATE: 11/27/76	REV. NO: 8
PROD. Y: [Signature]	DATE: 11/27/76	REV. NO: 8
PROD. Z: [Signature]	DATE: 11/27/76	REV. NO: 8

8 7 6 5 4 3 2 1

B 1-2-1330 2

THIS DRAWING AND SPECIFICATIONS, HEREIN, AND THE
 PROPERTY OF BENTON, BOWEN & BOWEN COMPANY AND
 SHALL BE KEPT IN CONFIDENTIALITY AND NOT TO BE
 REPRODUCED OR IN ANY MANNER DISCLOSED TO ANY
 OTHER PARTY WITHOUT THE WRITTEN CONSENT OF
 BENTON, BOWEN & BOWEN COMPANY.



REV.	NUMBER	SIZE	CODE	DIST.	OF	SHEET	SCALE	TITLE
B	5412264-0-1	D	CS		4	2		TAPE MOTION POWER BOARD (DRVR2)

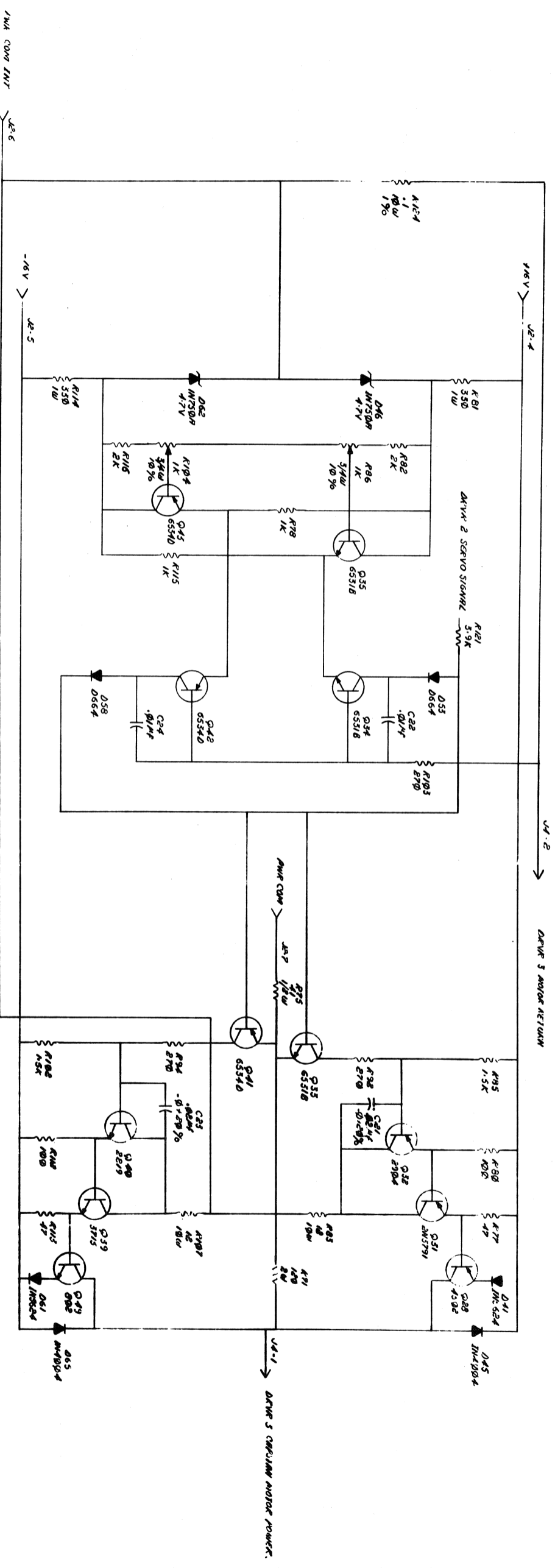
REV.	NUMBER	SIZE	CODE	DIST.	OF	SHEET	SCALE	TITLE
B	5412264-0-1	D	CS		4	2		TAPE MOTION POWER BOARD (DRVR2)

REV.	NUMBER	SIZE	CODE	DIST.	OF	SHEET	SCALE	TITLE
B	5412264-0-1	D	CS		4	2		TAPE MOTION POWER BOARD (DRVR2)

REV.	NUMBER	SIZE	CODE	DIST.	OF	SHEET	SCALE	TITLE
B	5412264-0-1	D	CS		4	2		TAPE MOTION POWER BOARD (DRVR2)

REV.	NUMBER	SIZE	CODE	DIST.	OF	SHEET	SCALE	TITLE
B	5412264-0-1	D	CS		4	2		TAPE MOTION POWER BOARD (DRVR2)

THIS DRAWING AND SPECIFICATIONS, DESIGN AND THE PROPERTY OF GENERAL ELECTRIC COMPANY. IT IS TO BE USED ONLY IN CONNECTION WITH THE CONTRACT UNDER WHICH IT WAS MADE. IT IS NOT TO BE REPRODUCED OR TRANSMITTED IN ANY FORM OR BY ANY MEANS, ELECTRONIC OR MECHANICAL, INCLUDING PHOTOCOPYING, RECORDING, OR BY ANY INFORMATION STORAGE AND RETRIEVAL SYSTEM, WITHOUT PERMISSION IN WRITING FROM GENERAL ELECTRIC COMPANY.



CAPSTAN DRIVER

REVISIONS	
CHK	CHANGE NO.

TITLE	TAPE MOTION	SIZE CODE	D	NUMBER	5412264-0-1	REV.	B
DRWRS	POWER BOARD	SCALE		SHEET	3 OF 4	DIST.	

8 7 6 5 4 3 2 1

8 7 6 5 4 3 2 1

B 1-2-4-22115 SCS 2

DIGITAL EQUIPMENT CORPORATION

PARTS LIST

MADE BY	Phil Bossman	CHECKED	<i>P. Bossman</i>	SECTION	1
DATE	21 Sept. '76	DATE	28 Sep 76	ISSUED SECTION	1
ENG	<i>S. Dahl</i>	PROD	<i>J. Dillard</i>		
DATE	21 Dec 76	DATE	21 Dec 76		

ITEM NO.	DRAWING NO.	PART NO.	DESCRIPTION	REF	QUANTITY / VARIATION						NOTES:
1	D-MD-5012263-0-0	5012263	UNIT ASSEMBLY ETCHED CIRCUIT BOARD	1							REF DESIGNATION
2		1000049-00	CAP .027UF 100V 10% MYLAR	1							C26
3		1010279-00	CAP .47UF 50V 10% S. TANT	1							C28
4		1000086-00	CAP 180UF 6V20% S. TANT	1							C19
5		1010978-36	CAP .1UF 50V CER.	6							C1 thru C4, C12, C15
6		1001610-01	CAP .01UF 100V 20% DISC.	12							C5, C6, C7, C9, C10, C11, C14, C17, C18, C22, C24, C27
7		1005306-00	CAP 6.8UF 35V 10 S. TANT	4							C20, C25, C13, C16
8		1000004-00	CAP .02UF 100V 20%	2							C21, C23
9		1000027-00	CAP 820PF 100V	1							C8
10		1100114-00	DIODE D664	15							D25, D42, D43, D44, D47, D48, D49, D51 thru D55, D58, D60, D63
11		1100122-00	DIODE 1N 748A ZENER	2							D33, D38
12		1100124-00	DIODE 1N 750A ZENER	6							D46, D50, D57, D59, D62, D56
13		1105796-00	DIODE 1N 4004	5							D39, D40, D45, D65, D66
14		1103340-00	DIODE 1N 4736A ZENER	2							D32, D37
15		1103441-00	DIODE 1N 756A ZENER	2							D30, D35
16		1105275	DIODE D672	19							D1, D2, D5, D8, D9, D10, D13, D14, D15, D19, D20, D22, D27 thru D29, D31, D34, D36, D64
17		1110856-00	DIODE 1N 970B ZENER	1							D24

E.C.O. NO.
00001

THIS DRAWING AND SPECIFICATIONS HEREIN ARE THE PROPERTY OF DIGITAL EQUIPMENT CORPORATION AND SHALL NOT BE REPRODUCED OR COPIED OR USED IN WHOLE OR IN PART AS THE BASIS FOR THE MANUFACTURE OR SALE OF ITEMS WITHOUT WRITTEN PERMISSION. COPYRIGHT © 1976 DIGITAL EQUIPMENT CORPORATION.

FN:01140A:16-R276(325) DR# 125

TITLE: TAPE MOTION PWR BOARD

ASSY NO. SHEET 1 OF 6

SIZE CODE: B PL NUMBER: 5412264-0-0 REV. B

INSERTION PARTS LIST DATA BASE REV

DIGITAL EQUIPMENT CORPORATION

PARTS LIST

MADE BY PHIL BOSSMAN
DATE 21 Sept. '76
ENG *S. D. J.*
DATE 21 Dec 76

CHECKED *P. G. Brennan*
DATE 28 Sep 76
PROD *A. Dillard*
DATE 21 Dec 76

SECTION 1
ISSUED SECTION 1

ITEM NO.	DRAWING NO.	PART NO.	DESCRIPTION	QUANTITY / VARIATION						NOTES:
18		1209340-00	CONN MATE-N-LOK 8 PIN	3						J1, J2, J4
19		1209456-01	SOCKET TERMINAL CONTACT	24						
20		1209941-02	CONN 40P RT ANG HEADER	1						J3
21		7411350-00	HEAT SINK	1						
22		1300202-00	RES 47 1/2W 5%	2						R77, R113
23		1309995-00	RES 56 1/2W 5%	2						R55, R66
24		1300229-00	RES 100 1/2W 5%	3						R80, R112, R35
25		1300271-00	RES 220 1/2W 5%	3						R25, R51, R62
26		1300277-00	RES 220 1W 10%	2						R56, R67
27		1300285-00	RES 270 1/2W 5%	2						R105, R106
28		1300295	RES 330 1/2W 5%	6						R9 thru R12, R129, R37
29		1300297-00	RES 330 1W 5%	6						R114, R81, R16 thru R19
30		1300316-00	RES 470 1/2W 5%	3						R44, R31, R76
31		1305258-00	RES .47 2W 5% WW	2						R38, R26
32		1300365-00	RES 1K 1/2W 5%	14						R27, R45, R32, R50, R61, R78, R88, R95, R96, R97, R98, R99, R111, R115
33		1300391-00	RES 1.5K 1/2W 5%	7						R57, R68, R73, R85, R101, R102, R110
34		1300417-00	RES 2.2K 1/2W 5%	14						R22, R33, R58, R69, R122, R125 thru R128, R130 thru R134
35		1300439-00	RES 3.3K 1/2W 5%	2						R46, R34

E.C.O. NO. _____

THIS DRAWING AND SPECIFICATIONS, HEREIN, ARE THE PROPERTY OF DIGITAL EQUIPMENT CORPORATION AND SHALL NOT BE REPRODUCED OR COPIED OR USED IN WHOLE OR IN PART AS THE BASIS FOR THE MANUFACTURE OR SALE OF ITEMS WITHOUT WRITTEN PERMISSION. COPYRIGHT © 1976 DIGITAL EQUIPMENT CORPORATION.

TITLE TAPE MOTION PWR BOARD

ASSY NO. _____ **SIZE CODE** B PL **NUMBER** 5412264-0-0 **REV.** B

SHEET 2 **OF** 6 **INSERTION PARTS LIST DATA BASE REV**

EN:01140A:16-F-276(325) DR 5 125

DIGITAL EQUIPMENT CORPORATION

PARTS LIST

MADE BY PHIL BOSSMAN
 DATE 21 Sept. '76
 ENG *Phil*
 DATE 21 Dec 76

CHECKED *Phil*
 DATE 28 Sep 76
 PROD *P. Dillard*
 DATE 21 Dec 76

SECTION 1
 ISSUED SECTION 1

ITEM NO.	DRAWING NO.	PART NO.	DESCRIPTION	QUANTITY / VARIATION	NOTES:
36		1300444-00	RES 3.9K 1/4W 5%	3	R108, R121, R72
37		1300479-00	RES 10K 1/4W 5%	4	R30, R43, R74, R123
38		1300398-00	RES 1.8K 1/4W 5%	1	R76
39		1300496-00	RES 15K 1/4W 5%	3	R41, R89, R118
40		1301327-00	RES 68K 1/4W 5%	1	R119
41		1301522-00	RES 27 1/4W 5%	2	R90, R120
42		1301423-00	RES 6.8K 1/4W 5%	2	R100, R93
43		1301642-00	RES .82 2W 10%	2	R47, R48
44		1311842-00	RES 5 10W 5% W W	1	R36
45		1300257-00	RES 150 2W 5%	1	R24
46		1301874-00	RES 5.6K 1/4W 5%	1	R39
47		1301890-00	RES 560 1/4W 5%	3	R54, R65, R40
48		1301972-00	RES 270 1/4W 5%	5	R53, R64, R92, R94, R103
49		1302336-00	RES 39 1/4W 5%	2	R60, R49
50		1302391-00	RES 20K 1/4W 5%	1	R79
51		1302398-00	RES 470K 1/4W 5%	1	R109
52		1300172-00	RES 10 2W 10%	1	R13
53		1302602	RES 56 1/4W 5%	8	R5, R6, R7, R8, R14, R15, R20, R21
54		1301695-00	RES 47 1/4W 5%	2	R75, R135

THIS DRAWING AND SPECIFICATIONS, HEREIN, ARE THE PROPERTY OF DIGITAL EQUIPMENT CORPORATION AND SHALL NOT BE REPRODUCED OR COPIED OR USED IN WHOLE OR IN PART AS THE BASIS FOR THE MANUFACTURE OR SALE OF ITEMS WITHOUT WRITTEN PERMISSION. COPYRIGHT © 1976 DIGITAL EQUIPMENT CORPORATION.

EN01140A-1, R276(325) DR5 125

TITLE: TAPE MOTION PWR BOARD

ASSY NO. SHEET 3 OF 6

SIZE CODE B PL NUMBER 5412264-0-0 REV. B

INSERTION PARTS LIST DATA BASE REV

DIGITAL EQUIPMENT CORPORATION

PARTS LIST

MADE BY PHIL BOSSMAN
 DATE 21 Sept. '76
 ENG *S. D. Dillard*
 DATE 21 Dec. 76

CHECKED *P. Bosman*
 DATE 28 Sep 76
 PROD *S. D. Dillard*
 DATE 21 Dec 76

SECTION 1
 ISSUED SECTION 1

ITEM NO.	DRAWING NO.	PART NO.	DESCRIPTION	QUANTITY / VARIATION						NOTES:
74		1509581-00	TRANS 2N3791	7						Q2, Q8, Q13, Q16, Q20, Q24, Q31
75		1509604-00	TRANS DEC 4923	2						Q21, Q25
76		1510334-00	TRANS DEC 4502	1						Q28
77		1510335-00	TRANS DEC 802	1						Q49
78		1510598-00	TRANS D 45C8	6						Q4, Q7, Q14, Q50, Q5, Q6
79										
80		1510196-00	TRANS 2N 5302	1						Q12
81		1905575-00	IC DEC 7400	1						E6
82		1910155-00	IC DEC 7408	1						E7
83		1910298-00	IC DEC 741	2						E5, E10
84		9007201-00	TRANSIPAD	6						
85		1910415-00	VOLT. REG 723	1						E4
86		1910645-00	IC DEC 75452	4						E9, E8, E1, E2
87		9008268-00	THERMAL COMPOUND	A/R						
88		9006012-4	SCREW BD HD 4-40X7-16 LG	34						
89		9006557-00	KEPNUT 4-40	36						
90		9006706-00	WASHER NYLON	6						
91		9006721-00	WASHER, ANODIZED	14						
92		9006745-00	EYELET	6						

THIS DRAWING AND SPECIFICATIONS, HEREIN, ARE THE PROPERTY OF DIGITAL EQUIPMENT CORPORATION AND SHALL NOT BE REPRODUCED OR COPIED OR USED IN WHOLE OR IN PART AS THE BASIS FOR THE MANUFACTURE OR SALE OF ITEMS WITHOUT WRITTEN PERMISSION. COPYRIGHT © 1976 DIGITAL EQUIPMENT CORPORATION.

EN-011-00A 16-R276(325) DR# 125

TITLE TAPE MOTION PWR BOARD

ASSY NO. SHEET 5 OF 6

SIZE CODE B PL NUMBER 5412264-0-0 REV B

INSERTION PARTS LIST DATA BASE REV

DIGITAL EQUIPMENT CORPORATION

PARTS LIST

MADE BY	PHIL BOSSMAN	CHECKED	<i>P. Bossman</i>	SECTION	1
DATE	21 Sept. '76	DATE	28 SEP 76	ISSUED SECTION	1
ENG	<i>St. Paul</i>	PROD	<i>M. Dickland</i>		
DATE	21 Dec 76	DATE	21 Dec 76		

ITEM NO.	DRAWING NO.	PART NO.	DESCRIPTION	QUANTITY / VARIATION						NOTES:
93		9007791-00	CAMBION TERMINAL	12						REF DESIGNATION TP2, TP3, TP5 THRU TP14
94		9006632-00	WASHER, INT LOCK	2						
95		9006746-00	EYELET	4						
96		9006010-4	SCREW, BD HD 4-40X5-16 LG	4						
97		1110420-00	DEC RECTIFIER, A15B (1N5624)	12						
98		1100125-00	DIODE 1N758A ZENER	1						
99		9007265-00	SPACER, THD (4-40X1.00LG)	2						
100		9006655-00	WASHER, FLAT 4-40	2						
101		1309150-04	POT 5K 3W 20% 100PPM	1						
102		7417136-00	HEAT SINK	2						
103		5412264-0-1	CIRCUIT SCHEMATIC	REF						
105		1910406-00	IC 75451	1						
106		1909004-00	IC 7402	1						

THIS DRAWING AND SPECIFICATIONS, HEREIN, ARE THE PROPERTY OF DIGITAL EQUIPMENT CORPORATION AND SHALL NOT BE REPRODUCED OR COPIED OR USED IN WHOLE OR IN PART AS THE BASIS FOR THE MANUFACTURE OR SALE OF ITEMS WITHOUT WRITTEN PERMISSION. COPYRIGHT © 1976 DIGITAL EQUIPMENT CORPORATION.

EN-01140A-16-R-276(325)

DRB 125

TITLE
TAPE MOTION PWR BOARD

ASSY NO.
SHEET 6 OF 6

SIZE CODE
B PL
NUMBER
5412264-0-0
REV.
B

INSERTION PARTS LIST DATA BASE REV A