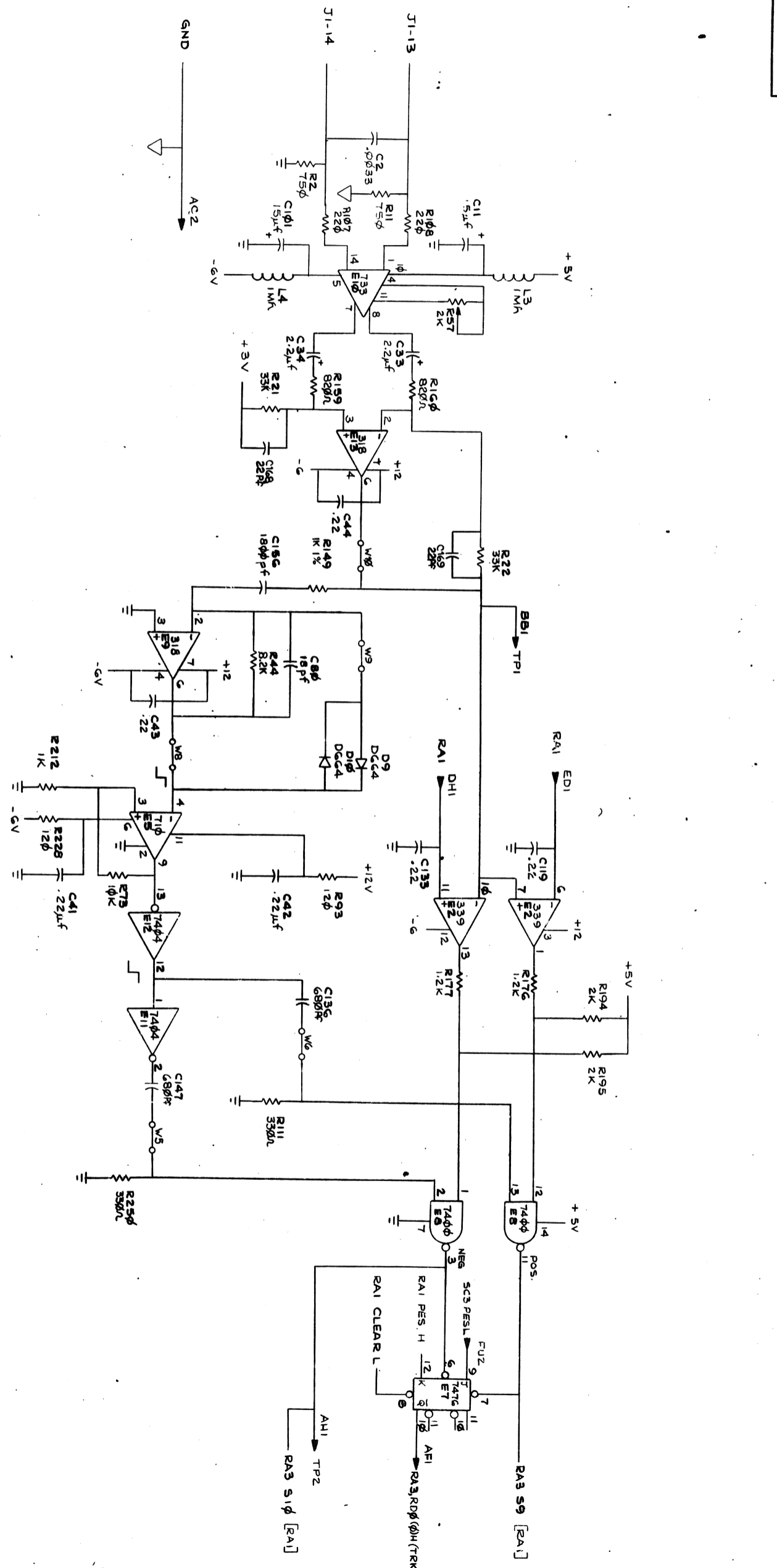


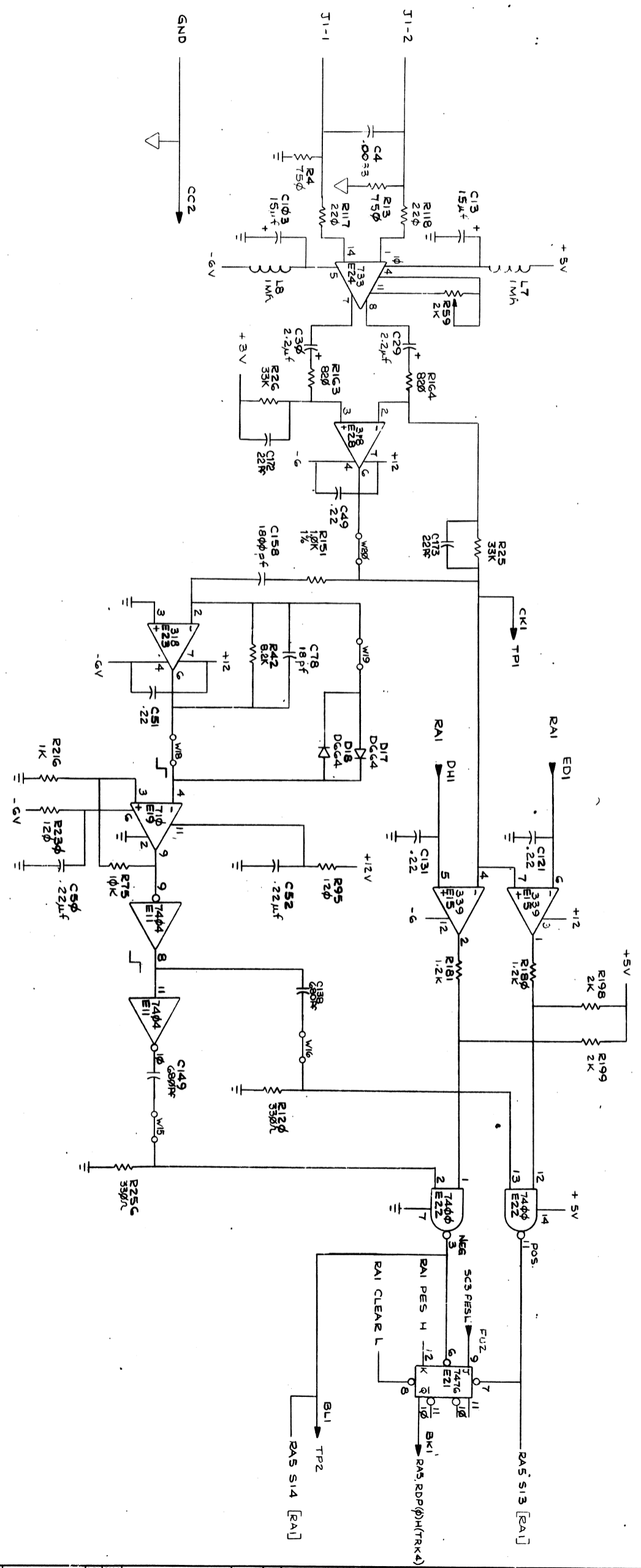
THIS DRAWING AND SPECIFICATIONS, LISTED AND THE
 THEREIN, ARE THE PROPERTY OF THE COMPANY AND
 ARE NOT TO BE REPRODUCED OR TRANSMITTED IN ANY
 FORM OR BY ANY MEANS, ELECTRONIC OR MECHANICAL,
 INCLUDING PHOTOCOPYING, RECORDING, OR BY ANY
 INFORMATION STORAGE AND RETRIEVAL SYSTEM, WITHOUT
 THE WRITTEN PERMISSION OF THE COMPANY.



REV.	7	6	5	4	3	2	1
DATE							
BY							
CHKD							
APPROVED							
TITLE	97K TU16 READ AMP (RA3)						
SCALE	1:1						
SHEET	3	OF	10				
DIST.							
SIZE	A						
CODE	DCS G066-0-1						
NUMBER	E						

31-9909 SQD 2

THIS DRAWING AND SPECIFICATION, LISTING, AND THE SMALL PRINT AT THE BOTTOM OF THIS SHEET ARE THE PROPERTY OF THE UNITED STATES GOVERNMENT AND ARE NOT TO BE REPRODUCED OR TRANSMITTED IN ANY FORM OR BY ANY MEANS, ELECTRONIC OR MECHANICAL, INCLUDING PHOTOCOPYING, RECORDING, OR BY ANY INFORMATION STORAGE AND RETRIEVAL SYSTEM, WITHOUT PERMISSION IN WRITING FROM THE ASSISTANT SECRETARY FOR ACQUISITION (ASST/AC), DEFENSE ACQUISITION REGISTRY (DAR), 4815 RINGBROOK DRIVE, FALLS CHURCH, VA 22041-3000. GPO: 1975 O-371-500. PRINTED IN THE UNITED STATES OF AMERICA.



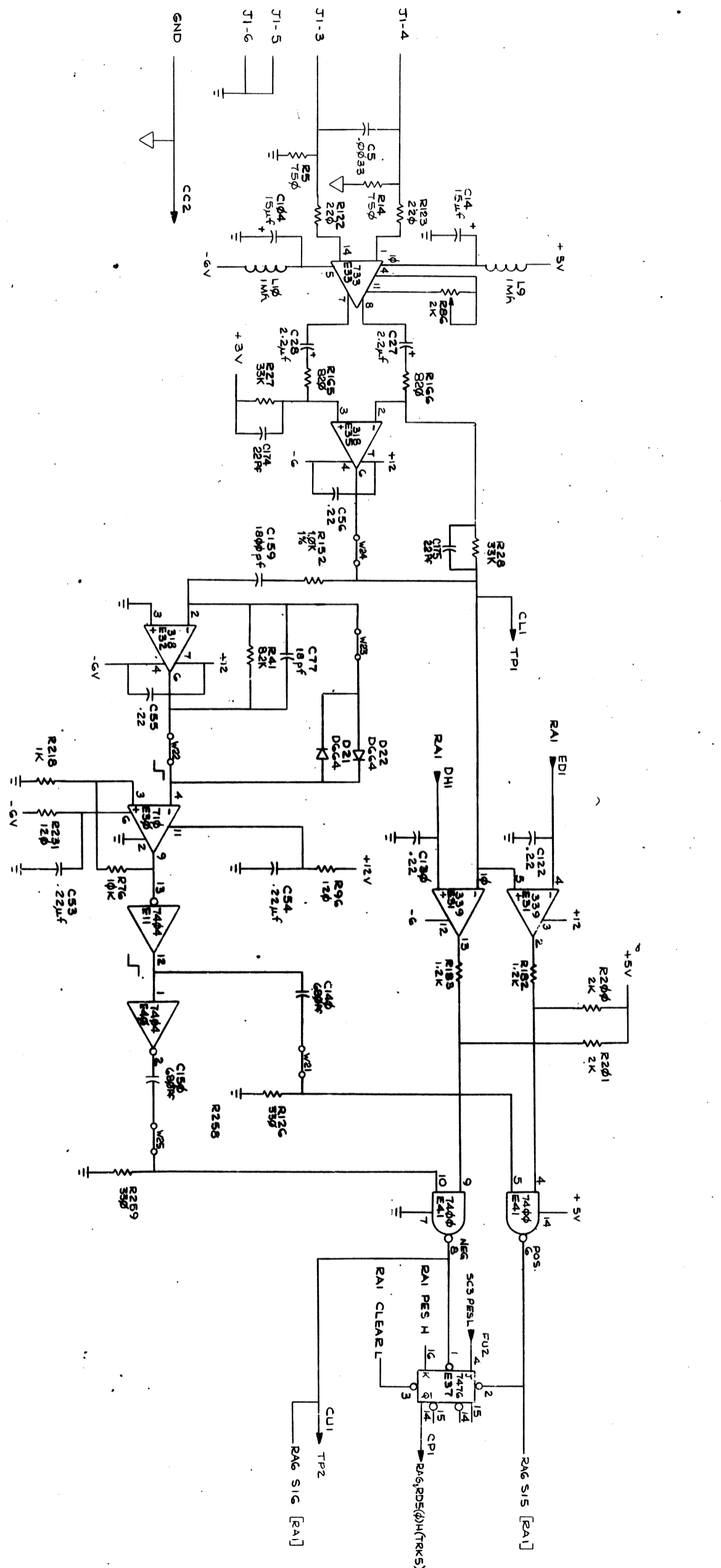
REVISIONS	
CHK	CHANGE NO.

TITLE	97K TUI6
SCALE	1:1
SHEET	5 OF 10
SIZE	10x14
CODE	CS
NUMBER	66-0-1
REV.	E

DATE: 1975 11 18

3 1-0-9909 SCQ 2

THIS DRAWING AND SPECIFICATION, HEREIN, ARE THE PROPERTY OF THE UNITED STATES GOVERNMENT AND ARE TO BE REPRODUCED AND TRANSMITTED IN ANY FORM OR BY ANY MEANS, ELECTRONIC OR MECHANICAL, INCLUDING PHOTOCOPYING, RECORDING, OR BY ANY INFORMATION STORAGE AND RETRIEVAL SYSTEM, WITHOUT PERMISSION IN WRITING FROM THE ASSISTANT SECRETARY FOR ACQUISITION, DEFENSE PROGRAMS AND POLICY, DEPARTMENT OF DEFENSE, WASHINGTON, D.C. 20301-1500.



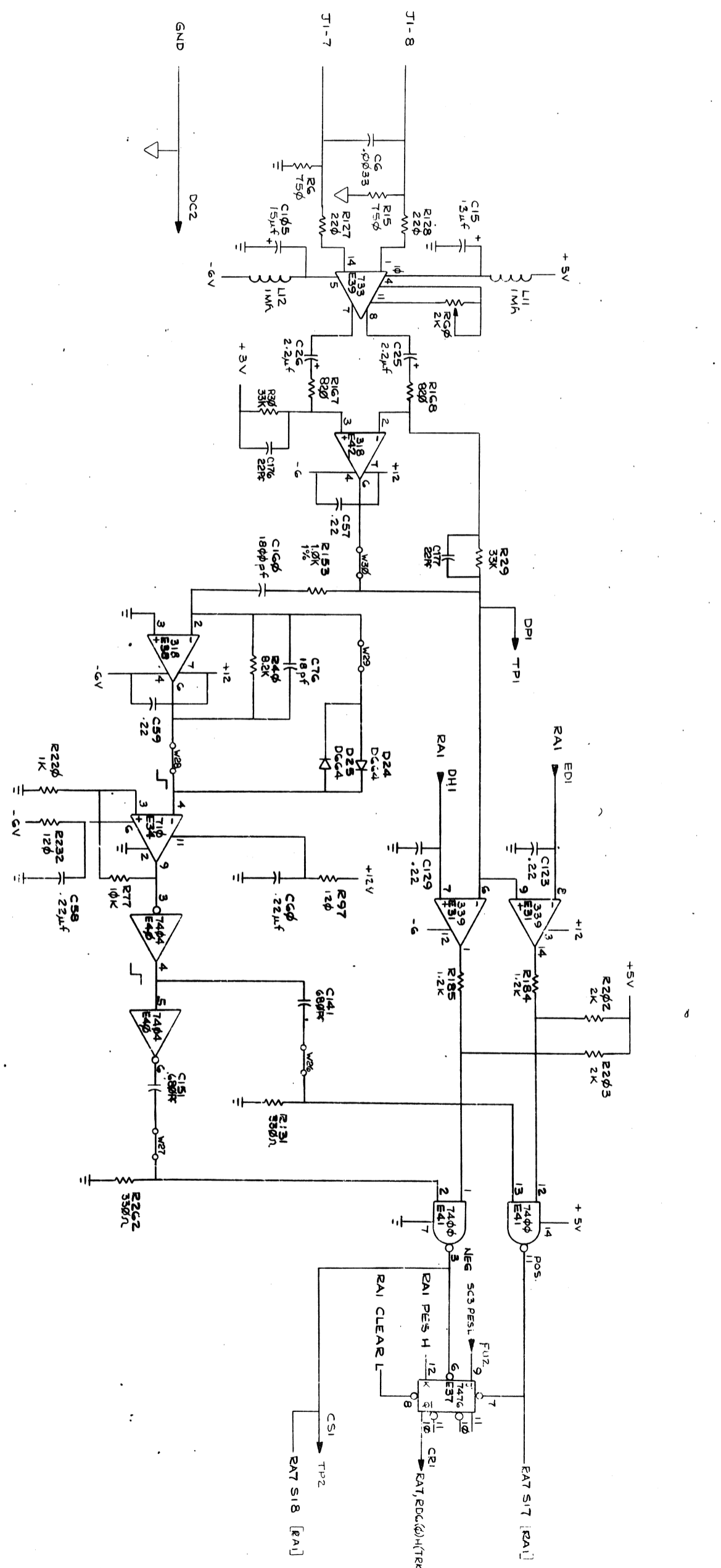
REV.	NUMBER	SIZE CODE	TITLE
E	1	DCS G066-0-1	9TK TUIG (RA6) READ AMP

REV.	NUMBER	SIZE CODE	TITLE
E	1	DCS G066-0-1	9TK TUIG (RA6) READ AMP

REV.	NUMBER	SIZE CODE	TITLE
E	1	DCS G066-0-1	9TK TUIG (RA6) READ AMP

8 7 6 5 4 3 2 1

THIS DRAWING AND SPECIFICATIONS ARE THE PROPERTY OF THE MANUFACTURER AND ARE NOT TO BE REPRODUCED OR USED IN WHOLE OR IN PART FOR ANY MANUFACTURING OR SALES PURPOSES WITHOUT THE WRITTEN CONSENT OF THE MANUFACTURER.

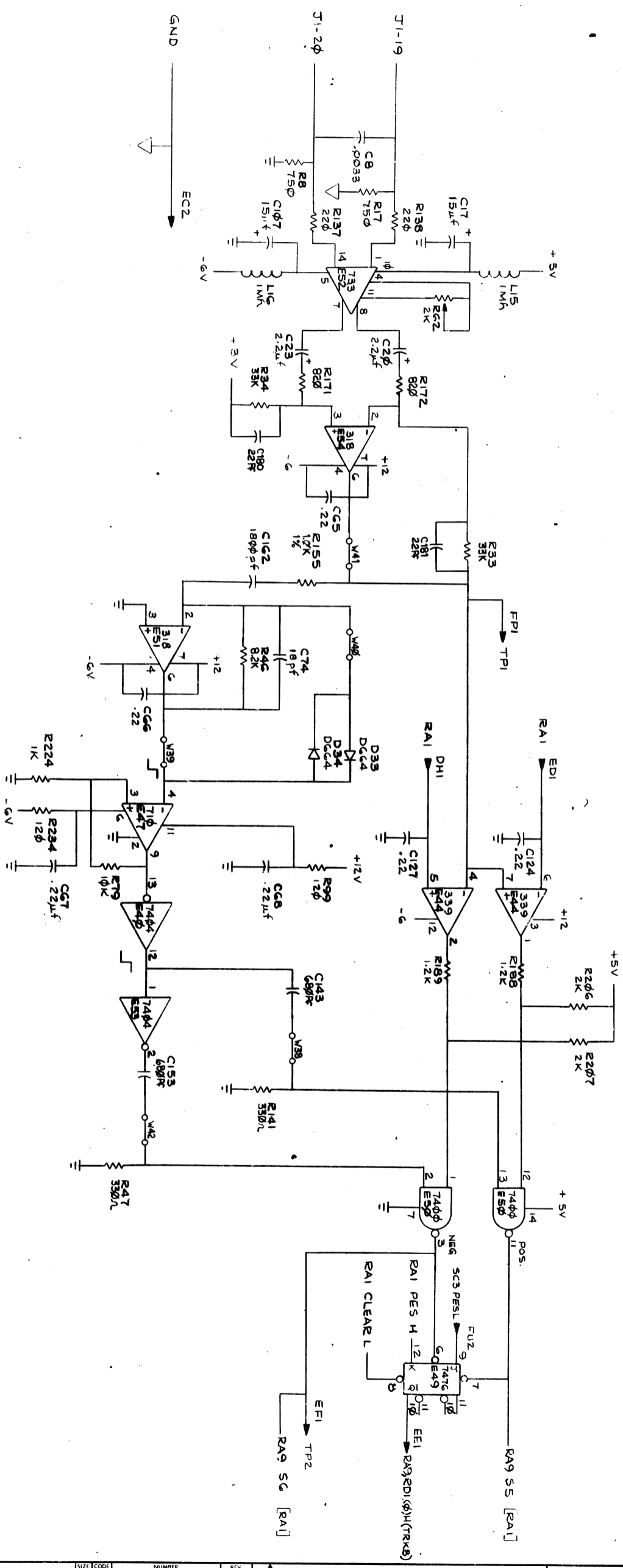


REVISIONS	
CHK	CHANGE NO. / REV.

TITLE	91K TU16	SIZE CODE	NUMBER	REV.
	READ AMP (RA7)		DCS 6066-0-1	E
SCALE		SHEET	7 OF 10	

8 7 6 5 4 3 2 1

THIS DRAWING AND SPECIFICATIONS HEREBY ARE THE PROPERTY OF THE UNITED STATES GOVERNMENT AND ARE NOT TO BE REPRODUCED OR TRANSMITTED IN ANY FORM OR BY ANY MEANS, ELECTRONIC OR MECHANICAL, INCLUDING PHOTOCOPYING, RECORDING, OR BY ANY INFORMATION STORAGE AND RETRIEVAL SYSTEM, WITHOUT PERMISSION IN WRITING FROM THE ASSISTANT SECRETARY FOR ACQUISITION (ASST/ACQ) OF THE DEPARTMENT OF DEFENSE. (GPO: 1975 O-280-750)



REV.	NUMBER	SIZE CODE	DESCRIPTION
E	1	D	CS 6066-0-1

REV.	NUMBER	DESCRIPTION
8	1	9TK TUI6 READ AMP (RA9)

REV.	NUMBER	DESCRIPTION
8	1	9TK TUI6 READ AMP (RA9)

