

DIGITAL EQUIPMENT CORPORATION

PARTS LIST

MADE BY	H. Weindrenner	CHECKED	<i>S. Bowman</i>	SECTION	1
DATE	8/10/76	DATE	17 Nov 76	ISSUED SECTION	1
ENG	<i>Stalder</i>	PROD	<i>S. Dickard</i>		
DATE	21 Dec 76	DATE	21 Dec 76		

ITEM NO.	DRAWING NO.	PART NO.	DESCRIPTION	QUANTITY / VARIATION										REF DESIGNATION	
14		10-00024-00	CAP 470 PF 100V 5% (DM)	1											C90
15		10-00016-00	CAP 100 PF 100V 5% (DM)	1											C92
16		10-04815-00	CAP 100 UF 20V 10% (TAUT)	1											C141
17															
18															
19		11-00114-00	DIODE D664	7											D1, D2, D4, D7, D8, D9, D10
20		11-00122-00	DIODE 1N748A 3.9V	1											D12
21		11-02162-00	DIODE D670-1	1											D3
22		11-04860-00	DIODE 1N746A 3.3V	2											D5, D6
23															
24															
25		12-09941-02	CONN. 40 PIN RT. ANGLE HDR	2											J1, J12
26		12-10067-02	CONN. 28 PIN	1											J3
27															
28															
29		13-00195-00	RESISTOR 33Ω/2W 5%	1											R4
30		13-00271-00	RESISTOR 220 ΩW 5%	5											R66, R77, R101, R112, R129
31		13-00295-00	RESISTOR 330 ΩW 5%	1											R78
32		13-00315-00	RESISTOR 470 ΩW 5%	10											R3, R5, R9, R15, R21, R27, R41, R42, R44, R46

NOTES:

USED ON OPTION/MODEL
TE16

REF DESIGNATION

THIS DRAWING AND SPECIFICATIONS HEREIN ARE THE PROPERTY OF DIGITAL EQUIPMENT CORPORATION AND SHALL NOT BE REPRODUCED OR COPIED OR USED IN WHOLE OR IN PART AS THE BASIS FOR THE MANUFACTURE OR SALE OF ITEMS WITHOUT WRITTEN PERMISSION. COPYRIGHT © 1976 DIGITAL EQUIPMENT CORPORATION.

LN 01140X-16 H 2/6(325) DRB 123

TITLE
LOGIC AND WRITE BOARD

ASSY NO.
D-UA-M8916-0-0
SHEET 2 OF 5

SIZE CODE NUMBER
B PL M8916-0-0
INSERTION PARTS LIST DATA BASE REV 8

REV.
C

DIGITAL EQUIPMENT CORPORATION

PARTS LIST

MADE BY	H. Weimbrenner	CHECKED	<i>D. E. ...</i>	SECTION	1
DATE	8/10/76	DATE	17 Nov 76	ISSUED SECTION	1
ENG	<i>H. ...</i>	PROD	<i>H. ...</i>		
DATE	8/10/76	DATE	8/10/76		

ITEM NO.	DRAWING NO.	PART NO.	DESCRIPTION	QUANTITY / VARIATION	REF DESIGNATION
33		13-00365-00	RESISTOR 1K 1/4W 5%	35	R1, R33, thru R40, R48 thru R50, R54 thru R61, R79, R89, R90, R97 thru R100, R102, R104, R106, R109, R111, R113, R117, R120
34		13-00398-00	RESISTOR 1.8K 1/4W 5%	2	R86, R108
35		13-00444-00	RESISTOR 3.9K 1/4W 5%	2	R64, R67
36		13-00447-00	RESISTOR 4.7K 1/4W 5%	2	R52, R53
37		13-00479-00	RESISTOR 10K 1/4W 5%	6	R63, R68, R121 thru R124
38		13-00488-00	RESISTOR 12K 1/4W 5%	1	R69
39		13-01320-00	RESISTOR 1.2K 1/4W 5%	3	R73, R82, R84
40		13-01423-00	RESISTOR 6.8K 1/4W 5%	2	R83, R85
41		13-01424-00	RESISTOR 680 1/4W 5%	1	R51
42		13-02177-00	RESISTOR 47K 1/4W 5%	2	R72, R125
43		13-02377-00	RESISTOR 39 1/4W 5%	18	R7, R8, R11 thru R14, R16, R18, R19, R20, R22, R24, R25, R26, R28, R30, R31, R32
44		13-05346-00	RESISTOR 27K 1/4W 5%	2	R87, R105
45		13-00229-00	RESISTOR 100 1/4W 5%	4	R62, R88, R91, R103
46		13-00354-00	RESISTOR 750 1/4W 5%	1	R2
47		13-02391-00	RESISTOR 20K 1/4W 5%	2	R80, R126
48		13-01695-00	RESISTOR 47 1/4W 5%	1	R110
49		13-00308-00	RESISTOR 390 1/4W 5%	9	R6, R10, R17, R23, R29, R45, R43, R47, R107

QUANTITY / VARIATION

NOTES:

USED ON OPTION/MODEL
TE 16

REF DESIGNATION

THIS DRAWING AND SPECIFICATIONS, HEREIN, ARE THE PROPERTY OF DIGITAL CORPORATION AND SHALL NOT BE REPRODUCED OR COPIED OR USED IN WHOLE OR IN PART AS THE BASIS FOR THE MANUFACTURE OR SALE OF ITEMS WITHOUT WRITTEN PERMISSION. COPYRIGHT © 1976 DIGITAL EQUIPMENT CORPORATION.

DRB 125

ASSY NO. D-UA-M8916-0-0 SHEET 3 OF 6

SIZE B CODE PL NUMBER M8916-0-0 REV. D

TITLE LOGIC AND WRITE BD.

INSERTION PARTS LIST DATA BASE REV B

DIGITAL EQUIPMENT CORPORATION

PARTS LIST

MADE BY	H. Weimbrenner	CHECKED	<i>J. Brennan</i>	SECTION	1
DATE	8/19/76	DATE	17 Nov 76	ISSUED SECTION	1
ENG	<i>St. Paul</i>	PROD	<i>J. Dickard</i>		
DATE	21-Dec-76	DATE	21 Dec 76		

ITEM NO.	DRAWING NO.	PART NO.	DESCRIPTION	QUANTITY / VARIATION					REF DESIGNATION
50		13-01808-00	RESISTOR 22K 1/4W 5%	1					R81
51		13-00219-00	RESISTOR 68 1/4W 5%	1					R65
52		13-02396-00	RESISTOR 150K 1/4W 5%	1					R127
53		13-02394-00	RESISTOR 30K 1/4W 5%	1					R128
54									
55									
56									
57		15-03409-01	TRANSISTOR 6534B	2					Q1, Q2
58		15-09338-00	TRANSISTOR 6531	4					Q4 thru Q7
59		15-09649-00	TRANSISTOR 3762	1					Q3
60		16-09477-00	INDUCTOR 10 10%	18					L1 thru L18
61									
62									
63		19-05547-00	I.C. DEC 7474	8					E11, E53, E55, E61, E62, E67, E47, E50
64		19-05575-00	I.C. DEC 7400	4					E28, E41, E60, E70
65		19-05576-00	I.C. DEC 7410	1					E57
66		19-10645	I.C. DEC 75452	1					E44
67		19-05587-00	I.C. DEC 7473	5					E2, E6, E20, E21, E25
68		19-05590-00	I.C. DEC 7401	1					E63

QUANTITY / VARIATION

NOTES:

USED ON: OPTION/MODEL
TE 16

REF DESIGNATION

THIS DRAWING AND SPECIFICATIONS, HEREIN, ARE THE PROPERTY OF DIGITAL EQUIPMENT CORPORATION AND SHALL NOT BE REPRODUCED OR COPIED OR USED IN WHOLE OR IN PART AS THE BASIS FOR THE MANUFACTURE OR SALE OF ITEMS WITHOUT WRITTEN PERMISSION. COPYRIGHT © 1976, DIGITAL EQUIPMENT CORPORATION.

TITLE
LOGIC AND WRITE BOARD

ASSY NO.
D-UA-M8916-0-0
SHEET 4 OF 5

SIZE CODE
B PL
NUMBER
M8916-0-0
INSERTION PARTS LIST DATA BASE REV 8

REV.
D

DIGITAL EQUIPMENT CORPORATION

PARTS LIST

MADE BY	H. Weinbrenner	CHECKED	<i>D. Gorman</i>	SECTION	1
DATE	8-10-76	DATE	17 Nov 76	ISSUED SECTION	1
ENG	<i>W. Adl</i>	PROD	<i>H. Dickard</i>		
DATE	21-Dec-76	DATE	21 Dec 76		

ITEM NO.	DRAWING NO.	PART NO.	DESCRIPTION	QUANTITY / VARIATION								REF DESIGNATION
69		19-09004-00	I.C. DEC 7402	2								E43, E59
70		19-09486-00	I.C. DEC 384	1								E29
71		19-09686-00	I.C. DEC 7404	3								E31, E35, E40
72		19-09712-00	I.C. DEC 8242	1								E39
73		19-09930-00	I.C. DEC 7405	2								E37, E38
74		19-09934-00	I.C. DEC 8266	3								E5, E19, E56
75		19-10011-00	I.C. DEC 7486	3								E1, E10, E24
76		19-10041-00	I.C. DEC 74164	1								E12
77		19-10155-00	I.C. DEC 7408	3								E46, E51, E32
78		19-10436-00	I.C. DEC 74123	7								E42, E45, E54, E49, E77, E71, E74
79		19-10878-00	I.C. DEC 7427	1								E52
80		19-11469-00	I.C. DEC 8640	6								E9, E14, E30, E36, E48, E58
81		19-05580-00	I.C. DEC 7450	1								E13
82		19-10645-01	I.C. DEC 75452	11								(E3, E4)(E7, E8)(E15, E16)(E17, E18)(E22, E23)(E26, E27), (E33, E34)(E64, E65)(E68, E69)(E72, E73)(E75, E76) (FOR Q3)
83		90-07201-00	TRANSIPAD	1								
84		12-10001-00	HEAT SINK	1								
85		12-10711-02	HANDLE ASSY.	1								
86		9006732-00	EYELET	12								
87		9105740-55	WIRE, #30 AWG, GRN	AR								

NOTES:

*USED ON: OPTION/MODEL
TE 16*

REF DESIGNATION

THIS DRAWING AND SPECIFICATIONS, HEREIN, ARE THE PROPERTY OF DIGITAL EQUIPMENT CORPORATION AND SHALL NOT BE REPRODUCED OR COPIED OR USED IN WHOLE OR IN PART AS THE BASIS FOR THE MANUFACTURE OR SALE OF ITEMS WITHOUT WRITTEN PERMISSION. COPYRIGHT © 1976 DIGITAL EQUIPMENT CORPORATION.

IN 01140A-16 R2/613251 DR# 125

TITLE	LOGIC AND WRITE BOARD
ASSY NO.	D-UA-M8916-0-0
SHEET	5 OF 5
SIZE	B
CODE	PL
NUMBER	M8916-0-0
REV.	D

This drawing and specifications, herein, are the property of Digital Equipment Corporation and are to be used only for the purposes specified herein. No part of this drawing may be reproduced or transmitted in any form or by any means, electronic, mechanical, photocopying, recording, or by any information storage and retrieval system, without the prior written permission of Digital Equipment Corporation.

NOTES:

1. This drawing is a revision of drawing D-41110-0-1. The changes are indicated by the revision numbers in the revision table.

2. The dimensions shown are in inches unless otherwise specified.

3. The material specification is as shown in the drawing unless otherwise specified.

4. The drawing is to be used for the manufacture of the equipment shown.

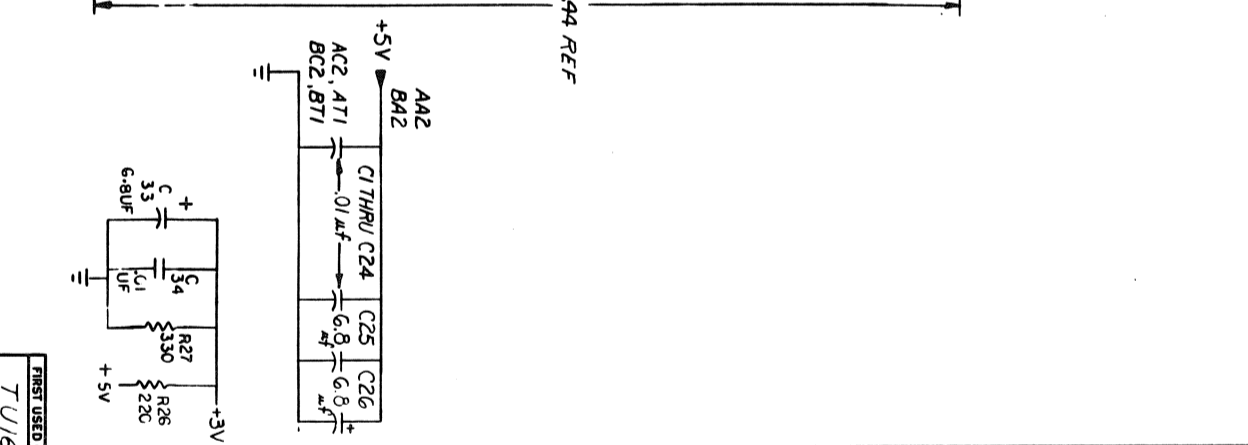
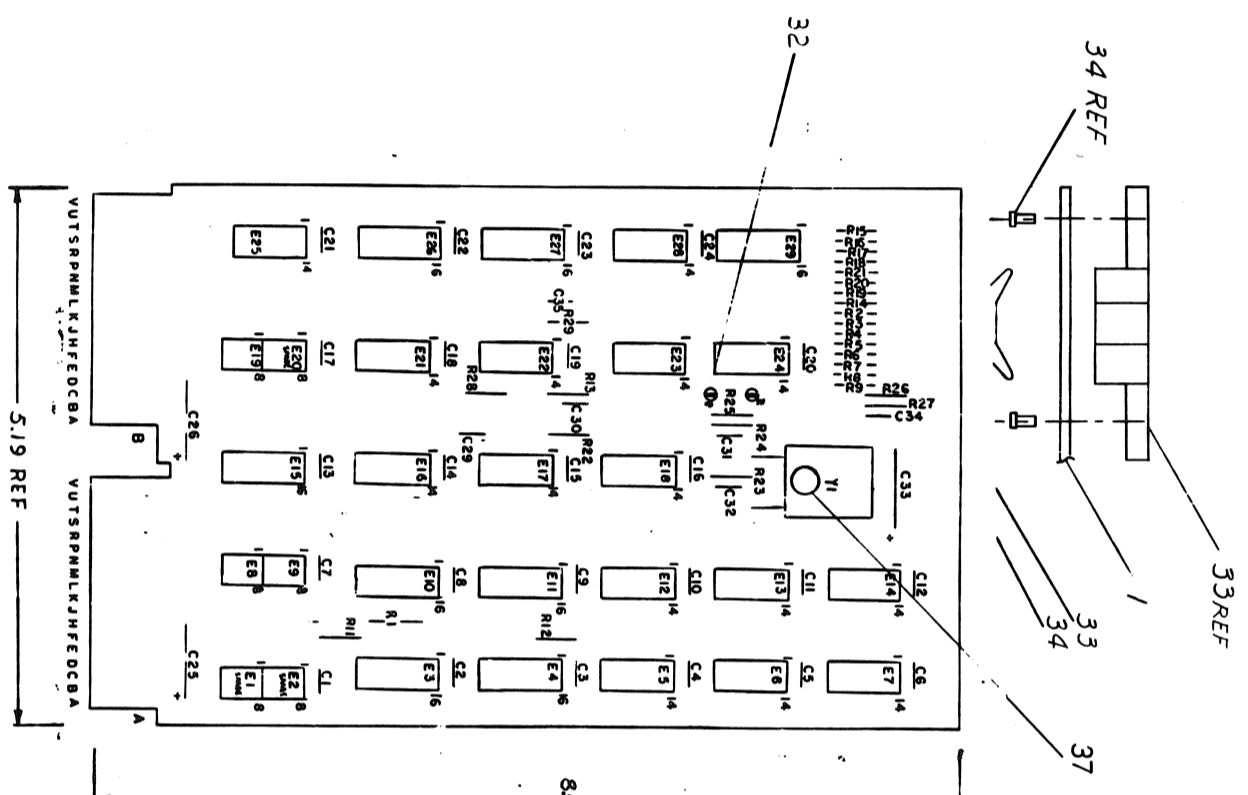
5. The drawing is to be used for the manufacture of the equipment shown.

6. The drawing is to be used for the manufacture of the equipment shown.

7. The drawing is to be used for the manufacture of the equipment shown.

8. The drawing is to be used for the manufacture of the equipment shown.

9. The drawing is to be used for the manufacture of the equipment shown.



IC TYPE	QTY	LOCATIONS
5600	8	16
8266	8	16
75452	4	8
7476	3	5
74161	8	16
GND		+ 5V

GND AND SV ARE USUALLY PIN 7 AND 14 RESPECTIVELY EXCEPT WHERE STATED ABOVE

IC PIN LOCATIONS

REV	CHG NO	DATE	BY	DESCRIPTION
1		2-3-78	Herry	DRAB
2		6 JAN 78	B. Chason	H. DRAB
3		24 MAR 77	P. Jones	H. DRAB
4		7 FEB 77	W. Smith	H. DRAB
5		16 SEPT 76	P. Jones	H. DRAB
6		9-8-76	J. Hess	H. DRAB
7		6-24-76	J. Hess	H. DRAB
8		4-1-75	J. Hess	H. DRAB
9		11-26-74	H. Summers	H. DRAB

REV	CHG NO	DATE	BY	DESCRIPTION
1		2-3-78	Herry	DRAB
2		6 JAN 78	B. Chason	H. DRAB
3		24 MAR 77	P. Jones	H. DRAB
4		7 FEB 77	W. Smith	H. DRAB
5		16 SEPT 76	P. Jones	H. DRAB
6		9-8-76	J. Hess	H. DRAB
7		6-24-76	J. Hess	H. DRAB
8		4-1-75	J. Hess	H. DRAB
9		11-26-74	H. Summers	H. DRAB

REV	CHG NO	DATE	BY	DESCRIPTION
1		2-3-78	Herry	DRAB
2		6 JAN 78	B. Chason	H. DRAB
3		24 MAR 77	P. Jones	H. DRAB
4		7 FEB 77	W. Smith	H. DRAB
5		16 SEPT 76	P. Jones	H. DRAB
6		9-8-76	J. Hess	H. DRAB
7		6-24-76	J. Hess	H. DRAB
8		4-1-75	J. Hess	H. DRAB
9		11-26-74	H. Summers	H. DRAB

REV	CHG NO	DATE	BY	DESCRIPTION
1		2-3-78	Herry	DRAB
2		6 JAN 78	B. Chason	H. DRAB
3		24 MAR 77	P. Jones	H. DRAB
4		7 FEB 77	W. Smith	H. DRAB
5		16 SEPT 76	P. Jones	H. DRAB
6		9-8-76	J. Hess	H. DRAB
7		6-24-76	J. Hess	H. DRAB
8		4-1-75	J. Hess	H. DRAB
9		11-26-74	H. Summers	H. DRAB

REV	CHG NO	DATE	BY	DESCRIPTION
1		2-3-78	Herry	DRAB
2		6 JAN 78	B. Chason	H. DRAB
3		24 MAR 77	P. Jones	H. DRAB
4		7 FEB 77	W. Smith	H. DRAB
5		16 SEPT 76	P. Jones	H. DRAB
6		9-8-76	J. Hess	H. DRAB
7		6-24-76	J. Hess	H. DRAB
8		4-1-75	J. Hess	H. DRAB
9		11-26-74	H. Summers	H. DRAB

REV	CHG NO	DATE	BY	DESCRIPTION
1		2-3-78	Herry	DRAB
2		6 JAN 78	B. Chason	H. DRAB
3		24 MAR 77	P. Jones	H. DRAB
4		7 FEB 77	W. Smith	H. DRAB
5		16 SEPT 76	P. Jones	H. DRAB
6		9-8-76	J. Hess	H. DRAB
7		6-24-76	J. Hess	H. DRAB
8		4-1-75	J. Hess	H. DRAB
9		11-26-74	H. Summers	H. DRAB

SLAVE C.D.C. (SCI) MOTION DELAY

DIGITAL EQUIPMENT CORPORATION

REVISIONS

SEMICONDUCTOR CONVERSION CHART

PARTS LIST

ETCH BOARD REV

SCALE

DATE

BY

DESCRIPTION

PART NO.

ITEM NO.

REV

DATE

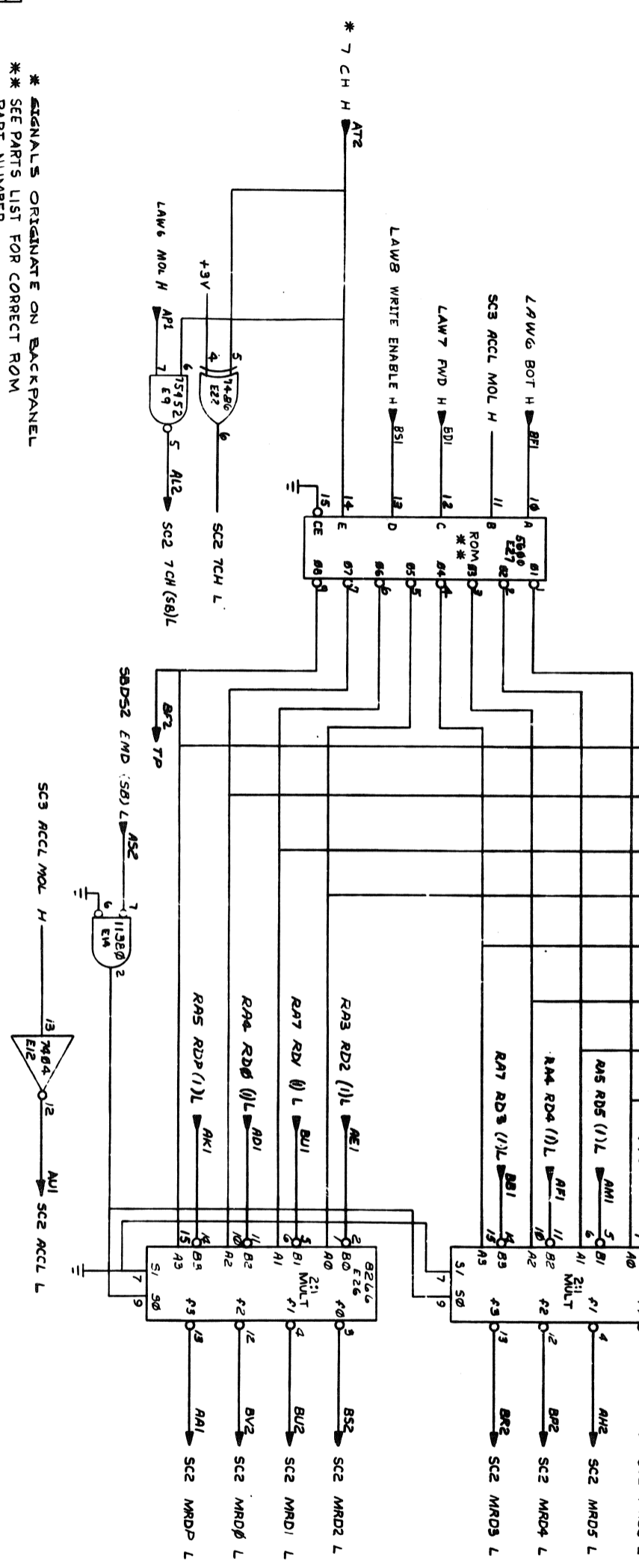
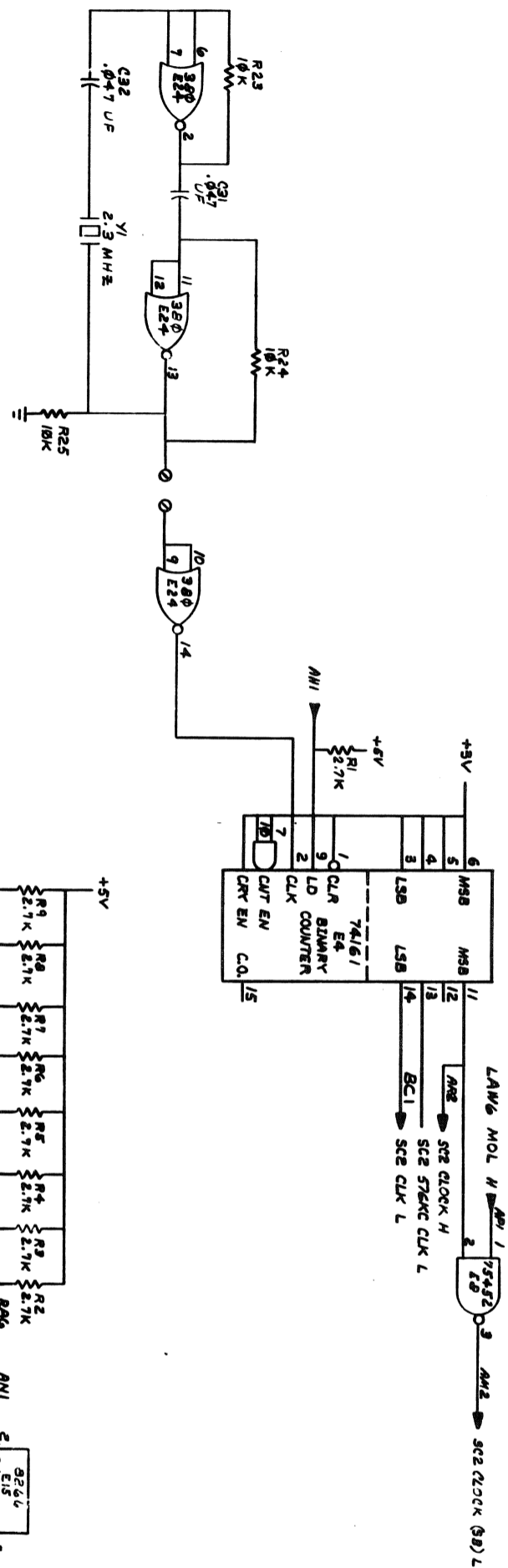
BY

DESCRIPTION

PART NO.

ITEM NO.

THIS DRAWING AND SPECIFICATIONS, HEREIN, ARE THE PROPERTY OF THE MANUFACTURER AND SHALL NOT BE REPRODUCED OR COPIED OR USED IN ANY MANNER WITHOUT THE WRITTEN CONSENT OF THE MANUFACTURER OR SALE AGENT. © 1973 DIGITAL EQUIPMENT CORPORATION.



* SIGNALS ORIGINATE ON BACKPANEL
 ** SEE PARTS LIST FOR CORRECT ROW
 PART NUMBER

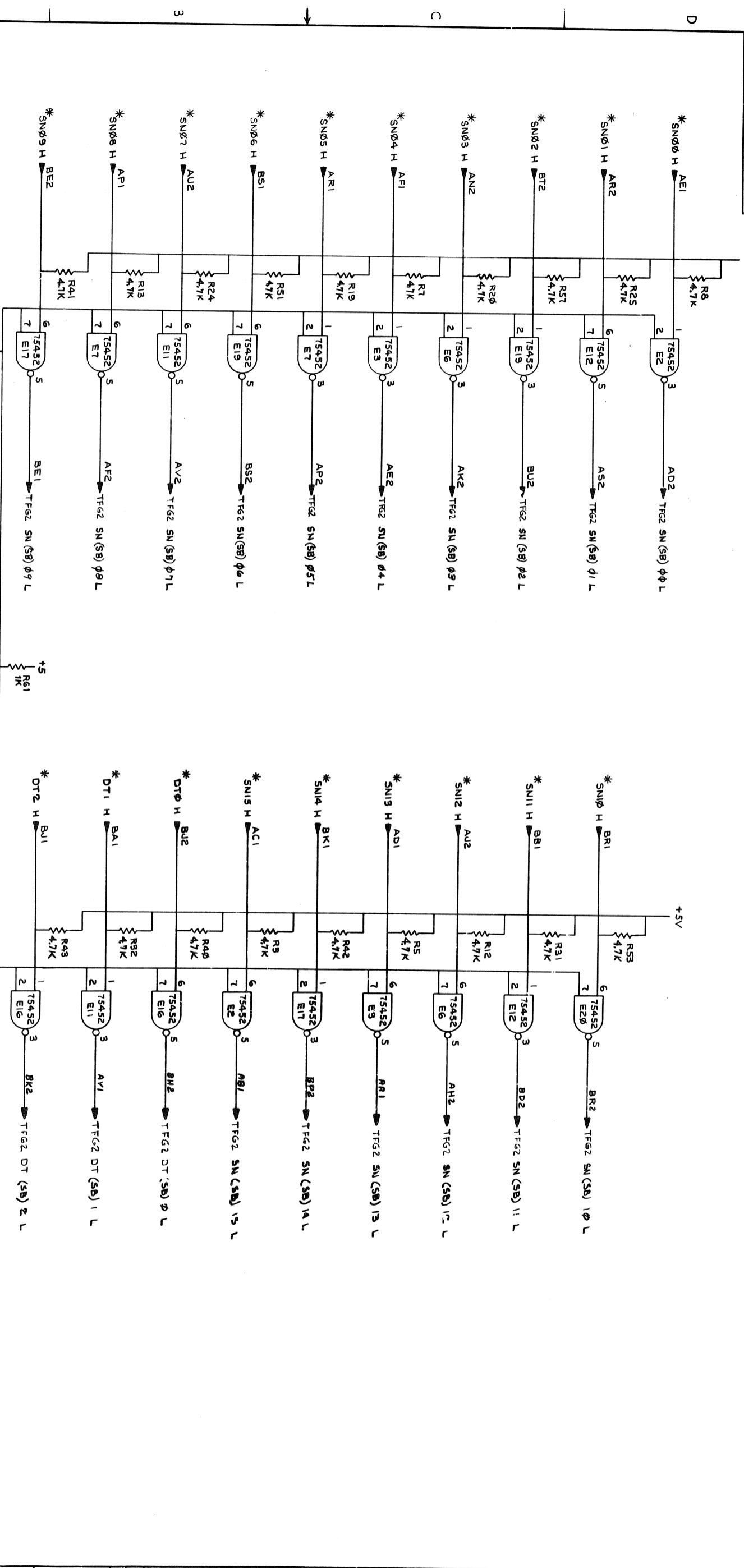
REV.	CHANGE NO.	REV.

TITLE	SLAVE CLK MOTION DLY
SCALE	
SHEET	2 OF 3
DATE	
NUMBER	SC2 M8911-0-1
REV.	

8 7 6 5 4 3 2 1

K I-0-1168M SC2 2

THIS DRAWING AND SPECIFICATIONS, HEREIN, ARE THE PROPERTY OF DIGITAL EQUIPMENT CORPORATION AND ARE NOT TO BE REPRODUCED OR TRANSMITTED IN ANY FORM OR BY ANY MEANS, ELECTRONIC OR MECHANICAL, INCLUDING PHOTOCOPYING, RECORDING, OR BY ANY INFORMATION STORAGE AND RETRIEVAL SYSTEM, WITHOUT THE WRITTEN PERMISSION OF DIGITAL EQUIPMENT CORPORATION.



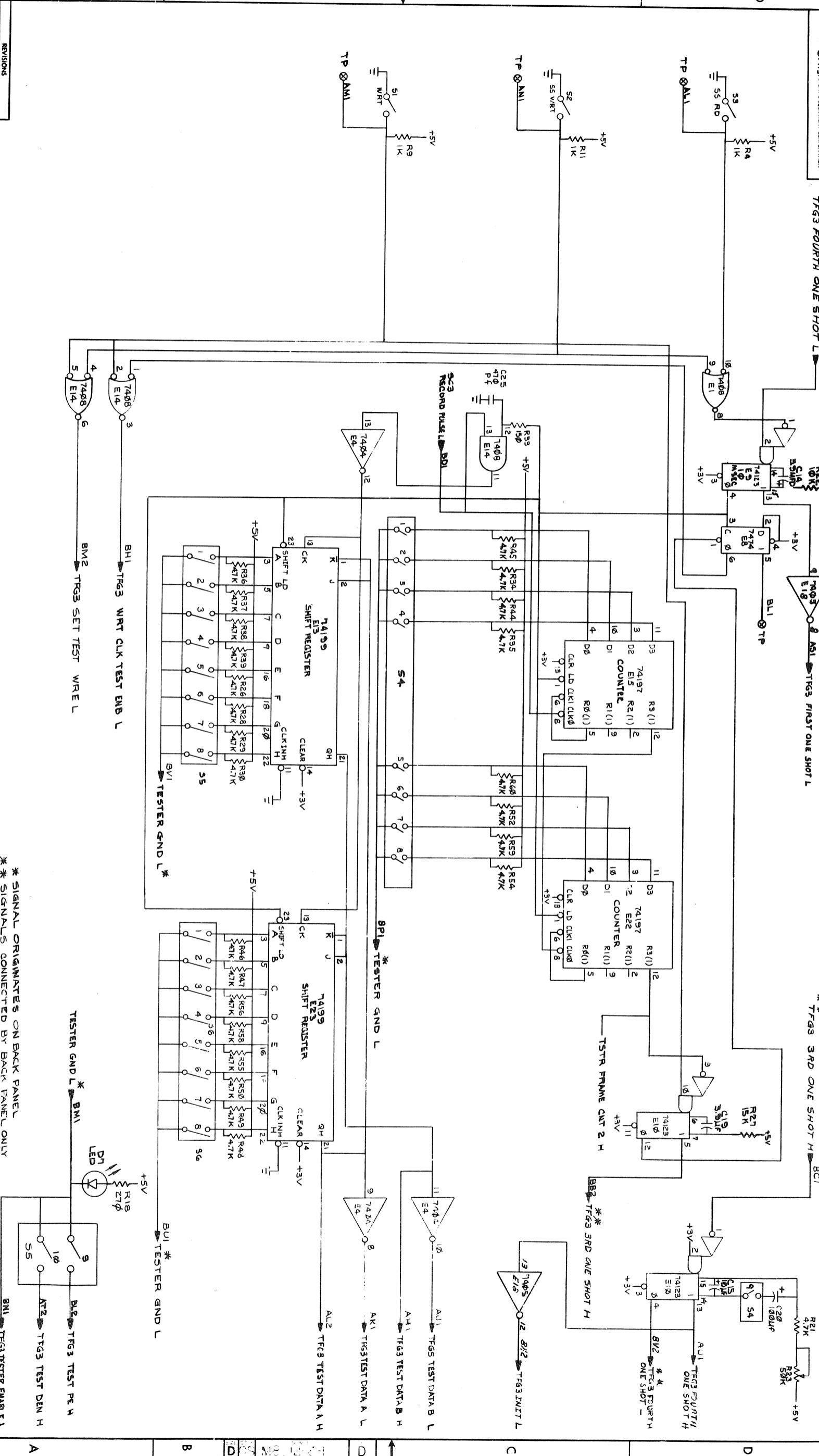
* ALL INPUT SIGNALS ON THIS SHEET EXCEPT "SLAVE PRESENT H" ORIGINATE ON BACKPANEL

REVISIONS	
CHK	CHANGE NO.

TITLE		SCALE		SHEET		NUMBER		REV.	
SLAVE TEST (TFG2)		FUNCTION GENERATOR		2 OF 3		M8912-0-1		D	

DCS M8912-0-1

THIS DRAWING AND PERTAINING INFORMATION ARE THE PROPERTY OF DIGITAL EQUIPMENT CORPORATION AND SHALL NOT BE REPRODUCED OR USED IN WHOLE OR IN PART WITHOUT WRITTEN PERMISSION OF DIGITAL EQUIPMENT CORPORATION.



** SIGNALS ORIGINATES ON BACK PANEL
** SIGNALS CONNECTED BY BACK PANEL ONLY

REV	NUMBER	SIZE	CODE	DIST	SHEET	OF	REV
D	M8912-0-1	DCS	3	3	3	3	D

REV	NUMBER	SIZE	CODE	DIST	SHEET	OF	REV
D	M8912-0-1	DCS	3	3	3	3	D

1-0-2108W SQD 2

8 7 6 5 4 3 2 1