

"THE MATERIAL HEREIN IS FOR INFORMATION PURPOSES ONLY AND IS SUBJECT TO CHANGE WITHOUT NOTICE. DIGITAL EQUIPMENT CORPORATION ASSUMES NO RESPONSIBILITY FOR ANY ERRORS WHICH MAY APPEAR HEREIN."

# FIELD MAINTENANCE PRINT SET

"THIS DRAWING AND SPECIFICATIONS, HEREIN, ARE THE PROPERTY OF DIGITAL EQUIPMENT CORPORATION AND SHALL NOT BE REPRODUCED OR USED IN WHOLE OR IN PART AS THE BASIS FOR THE MANUFACTURE OR SALE OF ITEMS WITHOUT WRITTEN PERMISSION. COPYRIGHT © 1977, DIGITAL EQUIPMENT CORPORATION."

## TABLE OF CONTENTS

DRAWING DIRECTORY	B-DD-TE16-0
LOGIC & WRITE BOARD	D-CS-M8916-0-1
LOGIC AND WRITE	D-UA-M8916-0-0 (SHT 1)
LOGIC AND WRITE	B-PL-M8916-0-0
CLOCK AND TEST LOGIC	D-CS-M8911-0-1
SLAVE TEST FUNCTION GEN.	D-CS-M8912-0-1
READ AMPLIFIER	D-CS-G065-0-1
READ AMPLIFIER	D-UA-G065-0-0
READ AMPLIFIER	B-PL-G066-0-0 (SHT 1)
POWER BOARD	D-UA-H607-0-0
TAPE MOTION DAUGHTER	D-CS-5412262-0-1
TAPE MOTION DAUGHTER	D-UA-5412262-0-0
TAPE MOTION DAUGHTER	B-PL-5412262-0-0 (SHT 1)
TAPE MOTION POWER	D-CS-5412264-0-1
TAPE MOTION POWER	D-UA-5412264-0-0
TAPE MOTION POWER	B-PL-5412264-0-0 (SHT 1)
D.C. POWER SUPPLY	D-CS-5412242-0-1
GENERAL PURPOSE CARD (A & B)	D-CS-M9001-0-1
GENERAL PURPOSE CARD (A & B)	D-CS-M8913-0-1
DATA DRIVER	D-CS-M8913-YA-1
DATA DRIVER	D-CS-M9001-YA-1
GENERAL PURPOSE CARD (E & F)	D-CS-M9001-YC-1
CONTROL BOX	D-CS-5412347-0-1
WIRED ASSY	E-AD-7009635-0-0
WIRED LIST	K-WL-TU16-0-WL
MODULE UTILIZATION	D-MU-TE16-0-MU
MASS BUS TRANSCIEVER	D-BS-TU16-0-2
MAGTAPE DRIVE	D-UA-TE16-0-0
CLOCK & TEST LOGIC	D-CS-M8931-0-1

### UNIT VARIATIONS COVERED BY THIS PRINT SET

TE16-EA
TE16-EB
TE16-EC
TE16-ED
TE16-EK
TE16-EL
TE16-EM
TE16-EN
TE16-AA
TE16-AB
TE16-AC
TE16-AD
TE16-EE
TE16-EF
TE16-EH
TE16-EJ
TE16-AE
TE16-AF
TE16-AH
TE16-AJ

TE16  
Field Maintenance  
Print Set

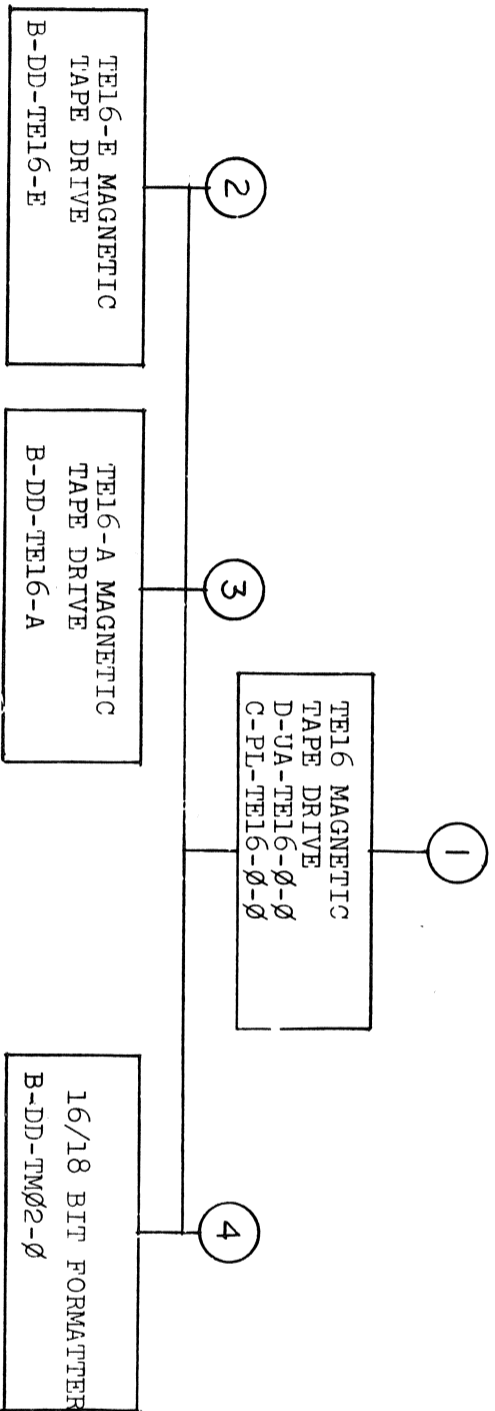
Digital Equipment  
Corporation  
PRINT SET ORDER NO.  
MP00333

REVISIONS		
REV.	CHG. NO.	DATE
A	TE16-2	11-77

USED ON OPTION/MODEL	TE16
DRN.	<i>W. M. ...</i>
DATE	12/18/76
CHK'D	<i>W. M. ...</i>
DATE	1/18/77
PROJ. ENG.	<i>W. M. ...</i>
DATE	1/18/77
FIELD SERV.	<i>W. M. ...</i>
DATE	1/18/77
TITLE: MAGNETIC TAPE DRIVE (TE16)	
SIZE	B
CODE	TC
NUMBER	TE16-0-1
REV.	A
SHEET 1 OF 1	







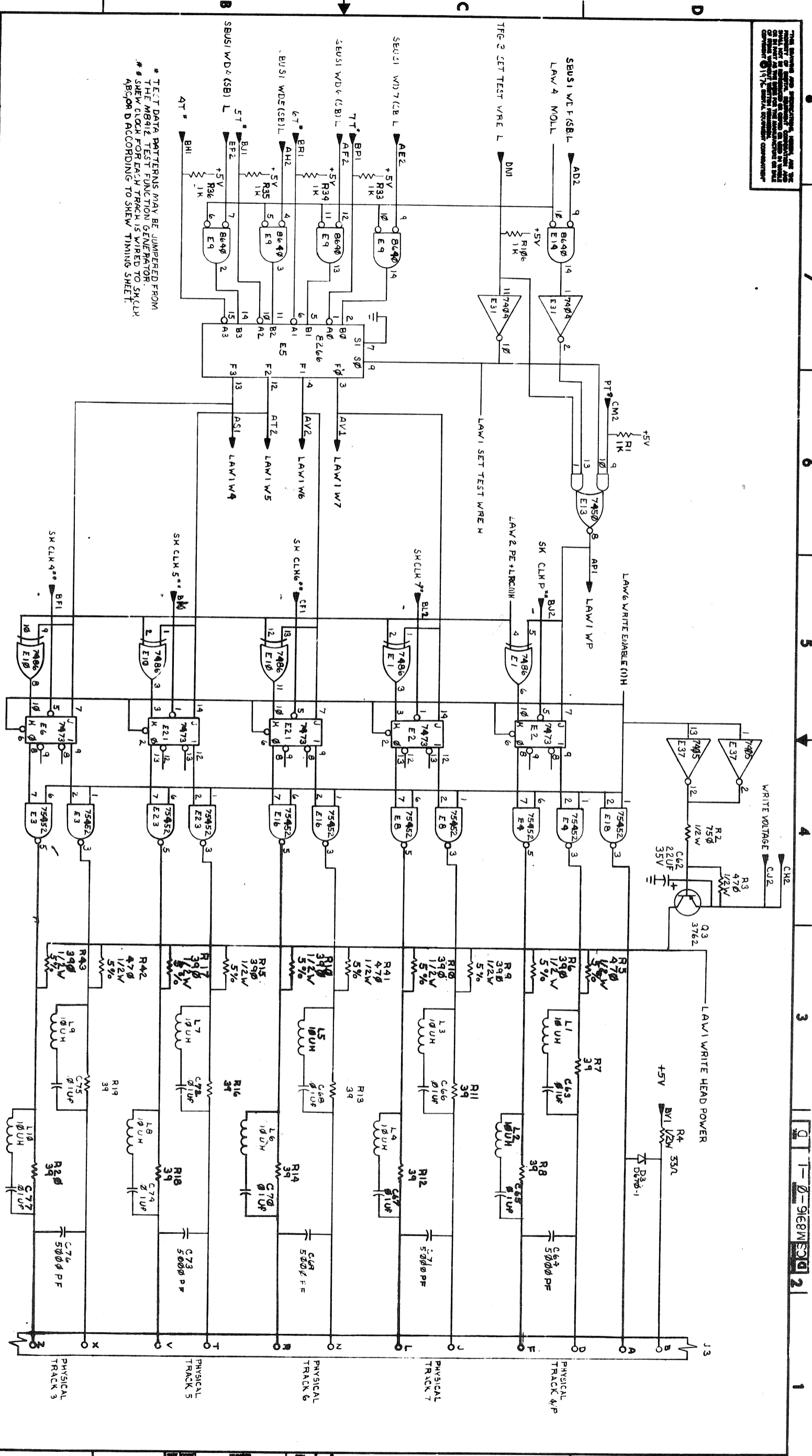
TITLE	SHEET 2 OF 3	SIZE CODE	NUMBER	REV
TE16 MAGNETIC TAPE DRIVE		B DD	TE16-Ø	



THIS DRAWING AND ANY REVISIONS THEREON ARE THE PROPERTY OF THE UNITED STATES GOVERNMENT AND ARE LOANED TO YOU BY THE NATIONAL BUREAU OF STANDARDS. IT IS TO BE RETURNED TO THE NATIONAL BUREAU OF STANDARDS AT THE TIME OF THE NEXT REVISION OR ON DEMAND. (17) THE NATIONAL BUREAU OF STANDARDS

REV.	NO.	DATE	BY
C	1	20 APR 77	H. DRAB
D	2	21 MAR 77	H. DRAB
D	3	29 APR 77	H. DRAB

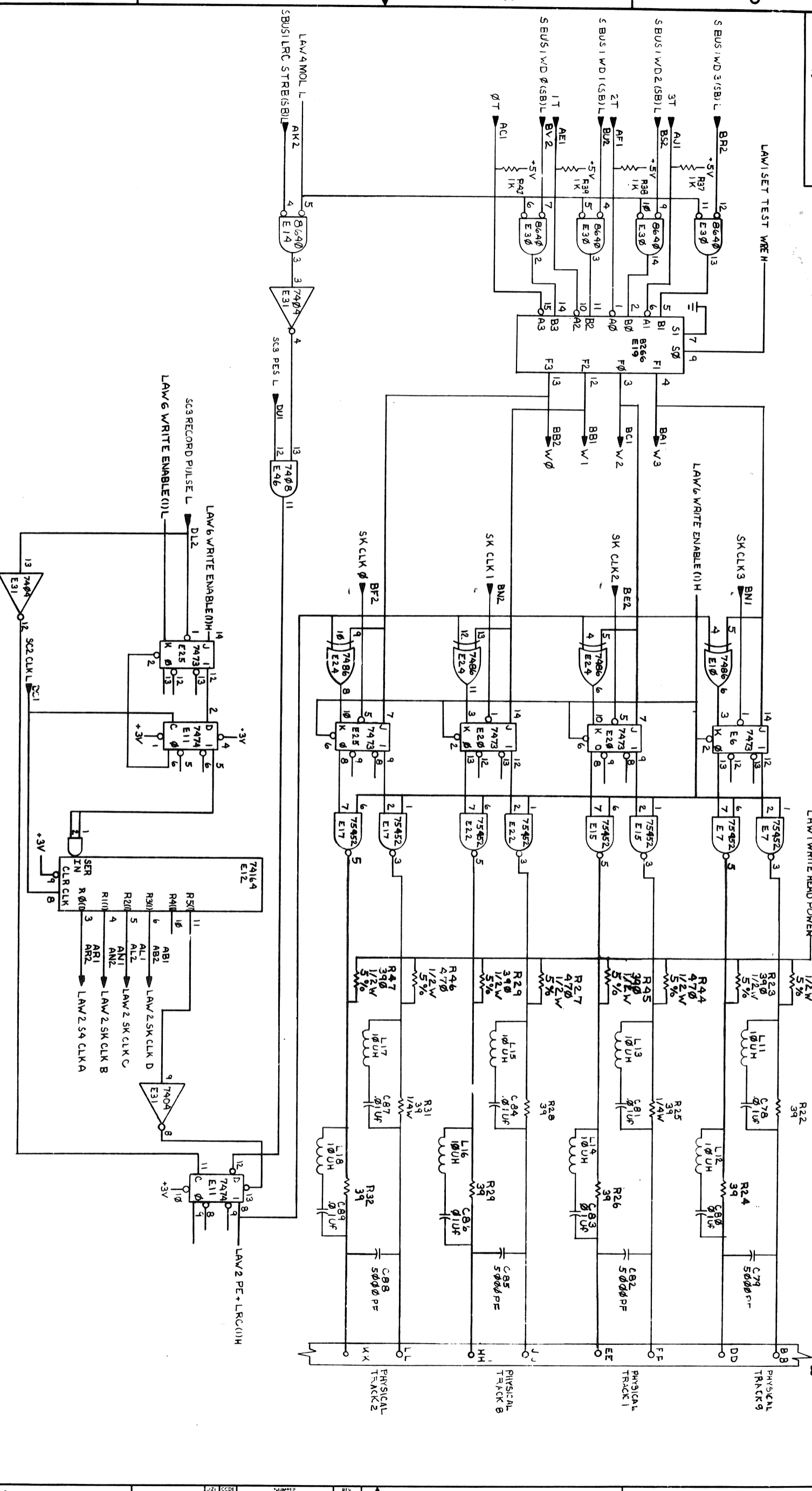
\* TEST DATA PATTERNS MAY BE JUMPED FROM THE M8912 TEST FUNCTION GENERATOR. \*\* SKEW CLOCK FOR EACH TRACK IS WIRED TO SKCLK A, B, C, D ACCORDING TO SKEW TIMING SHEET.



DATE	20 APR 77	BY	H. DRAB
CHKD	21 MAR 77	BY	H. DRAB
ENGR	29 APR 77	BY	H. DRAB
PROJ. ENG.		BY	
PROD. ENG.		BY	
TEST ENG.		BY	
SCALE			
SHEET	1	OF	7

UNIT	10-0000
TITLE	LOGIC AND WRITE BOARD (LAW1)
PROJECT	CSM8916-0-1
REV.	D

THIS DRAWING AND SPECIFICATIONS, HEREIN, ARE THE PROPERTY OF SPATIAL EQUIPMENT CORPORATION AND ARE TO BE KEPT IN CONFIDENTIALITY. NO PART OF THIS DRAWING IS TO BE REPRODUCED OR TRANSMITTED IN ANY FORM OR BY ANY MEANS, ELECTRONIC OR MECHANICAL, INCLUDING PHOTOCOPYING, RECORDING, OR BY ANY INFORMATION STORAGE AND RETRIEVAL SYSTEM, WITHOUT THE WRITTEN PERMISSION OF SPATIAL EQUIPMENT CORPORATION.



REV.	NUMBER	SIZE	CODE	TITLE	SCALE	SHEET	OF	7	DIST.	1
5	M8916-0-1	DCS	LOGIC AND WRITE BOARD LAW 2	2	2	2	7	1		

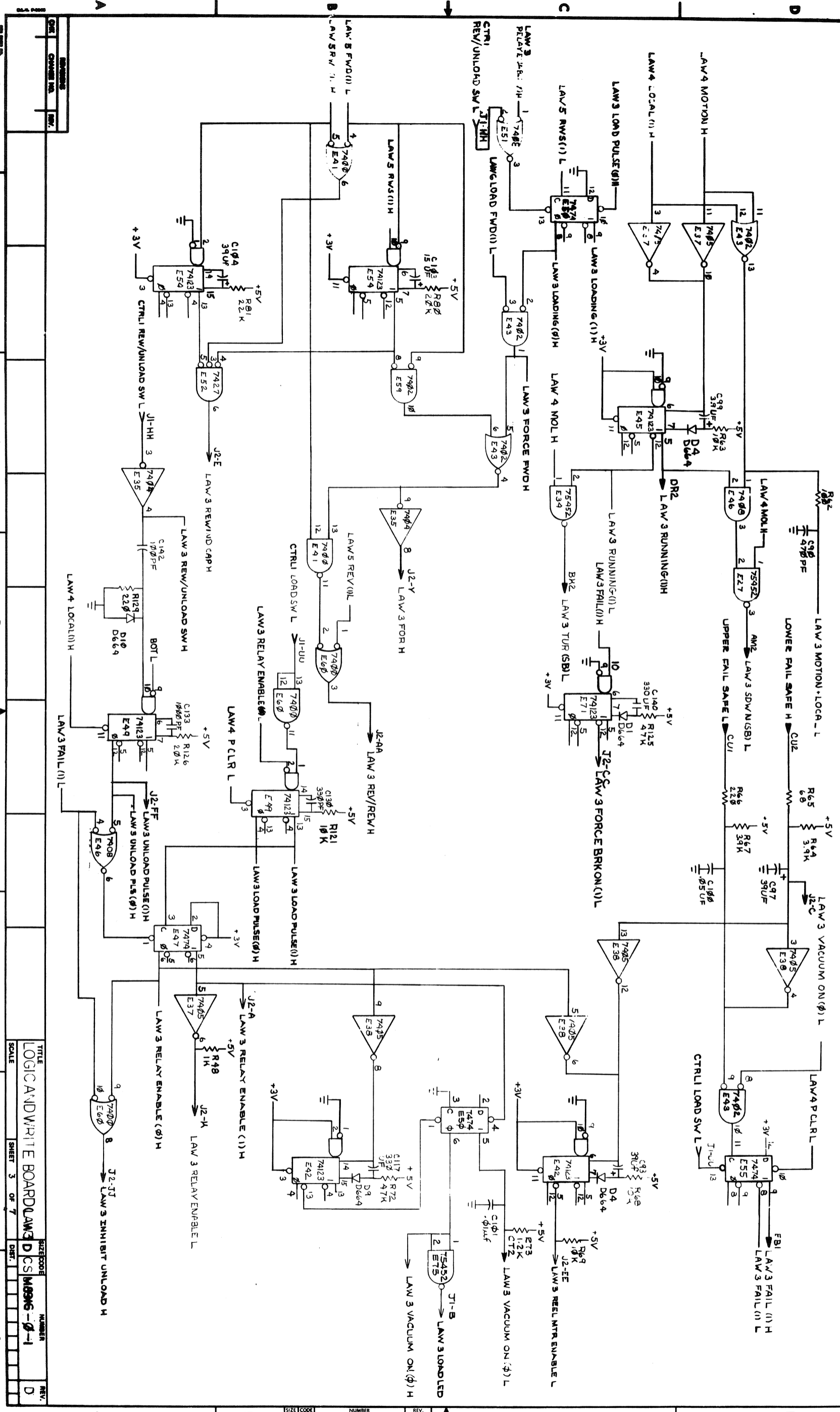
REV.	NUMBER	SIZE	CODE	TITLE	SCALE	SHEET	OF	7	DIST.	1
5	M8916-0-1	DCS	LOGIC AND WRITE BOARD LAW 2	2	2	2	7	1		

REV.	NUMBER	SIZE	CODE	TITLE	SCALE	SHEET	OF	7	DIST.	1
5	M8916-0-1	DCS	LOGIC AND WRITE BOARD LAW 2	2	2	2	7	1		

8 7 6 5 4 3 2 1

1-8-916WMS01  
 2  
 1-8-916WMS01  
 2

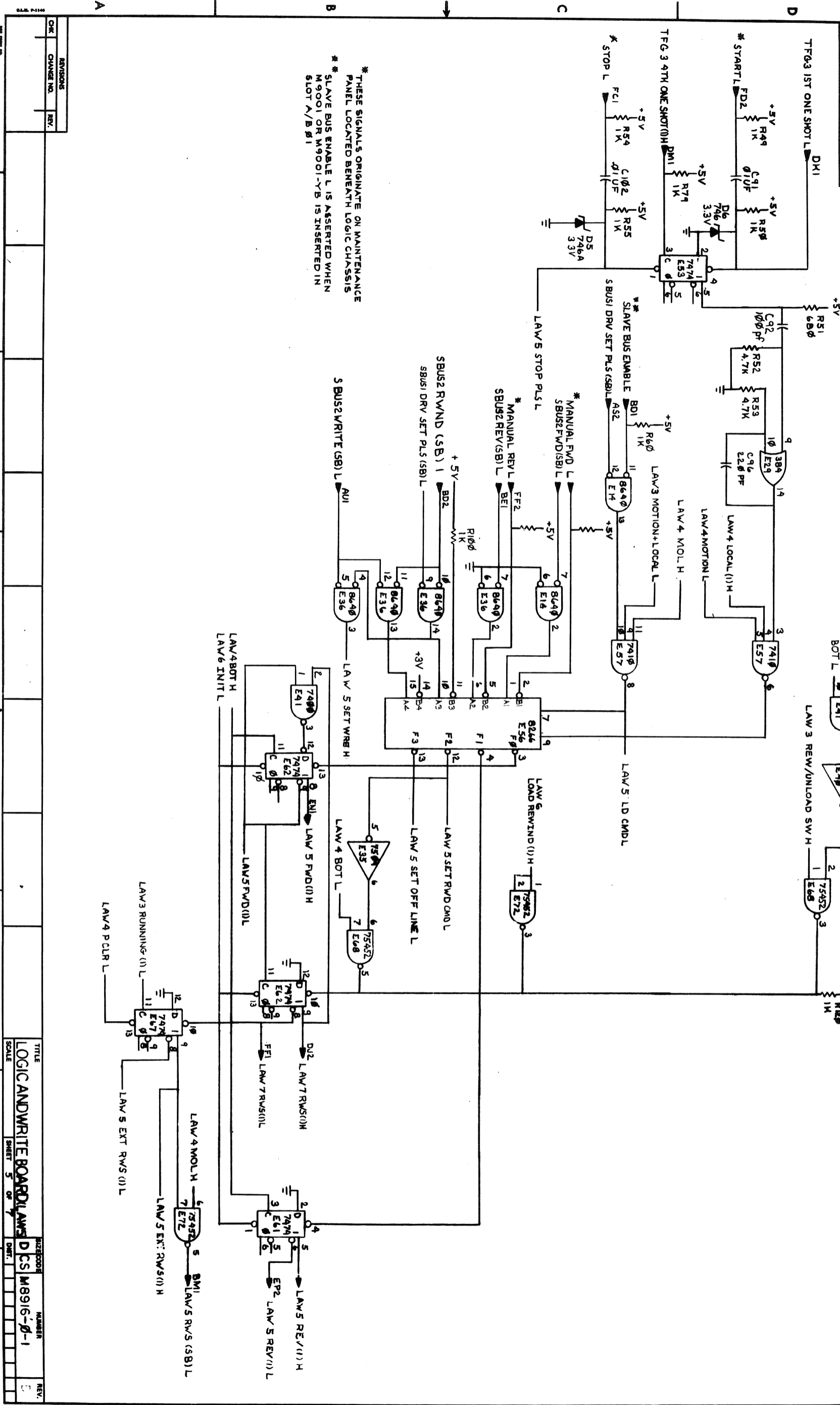


TITLE: LOGIC AND WRITE BOARD LAW3  
 SCALE: 1:1  
 SHEET 3 OF 7  
 DCS M8916  
 NUMBER: 1-8-916WMS01  
 REV: 2

DCS M8916  
 1-8-916WMS01  
 2



THIS DRAWING AND SPECIFICATION, DESIGN, AND THE PROPERTY OF GENERAL ELECTRIC COMPANY AND IS TO BE KEPT IN CONFIDENTIALITY. IT IS TO BE USED ONLY IN CONNECTION WITH THE MANUFACTURE OF THE EQUIPMENT SPECIFIED HEREIN. IT IS TO BE RETURNED TO THE GENERAL ELECTRIC COMPANY AT THE END OF THE PROJECT.



\* THESE SIGNALS ORIGINATE ON MAINTENANCE PANEL LOCATED BENEATH LOGIC CHASSIS  
 \* SLAVE BUS ENABLE L IS ASSERTED WHEN M9001 OR M9001-YB IS INSERTED IN SLOT A/B #1

REV.	CHG.	NO.	REV.

TITLE	LOGIC AND WRITE BOARD LAYS
SCALE	
SHEET	5 OF 7
DWG. NO.	
NUMBER	DCS M8916-0-1
REV.	

1-0-9169WCSJ D 2

DCS M8916



