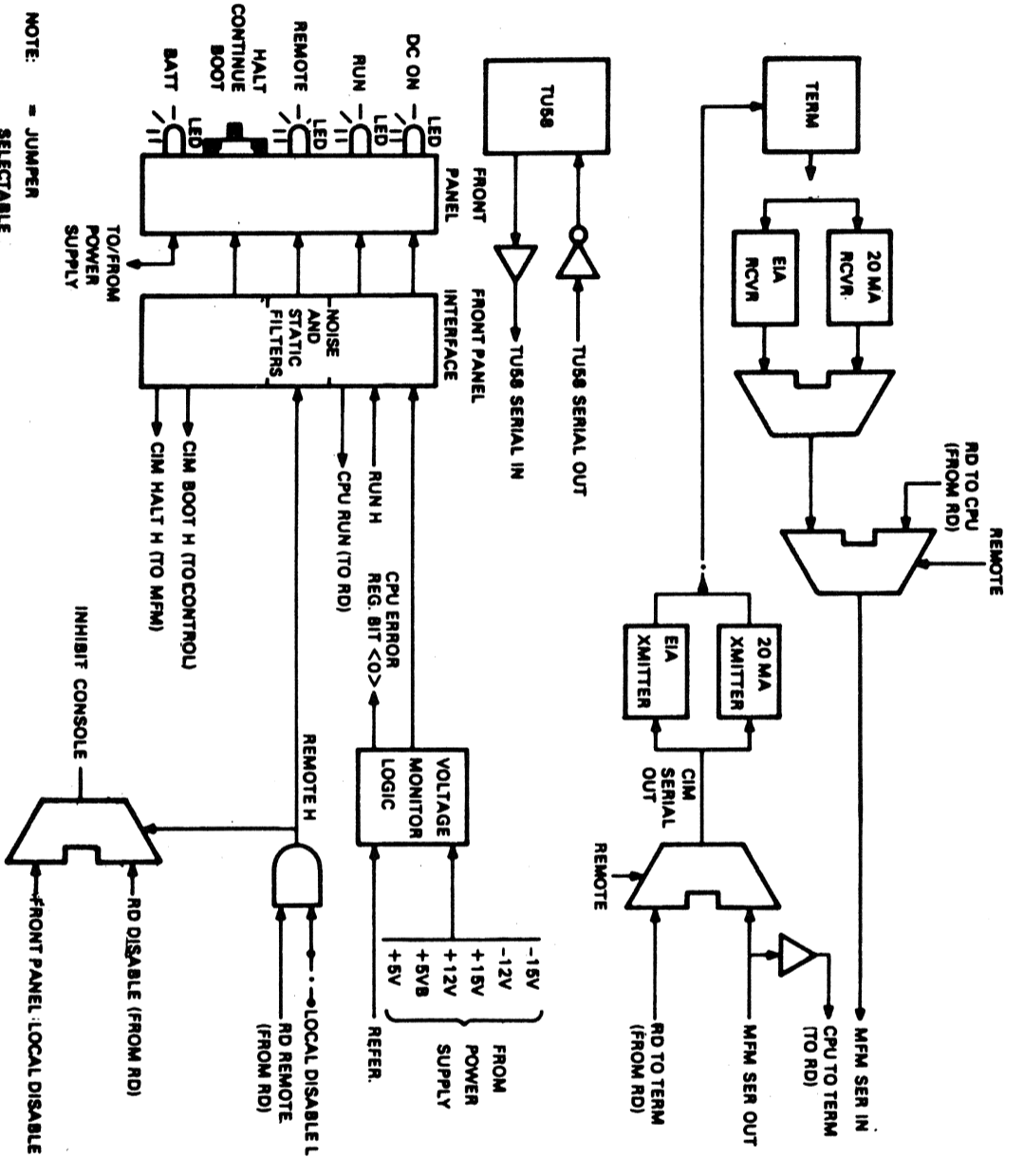


THIS DRAWING AND SPECIFICATIONS, HEREIN, ARE THE PROPERTY OF CENTRA, EQUIPMENT CORPORATION AND ARE TO BE USED ONLY FOR THE PURPOSES AND IN THE MANNER SPECIFICALLY AUTHORIZED BY CENTRA, EQUIPMENT CORPORATION. ANY REPRODUCTION OR TRANSMISSION OF THIS DRAWING WITHOUT THE WRITTEN PERMISSION OF CENTRA, EQUIPMENT CORPORATION IS PROHIBITED.

8
A
2-2
M7090-0-2
DBD
6
5
4
3
2
1

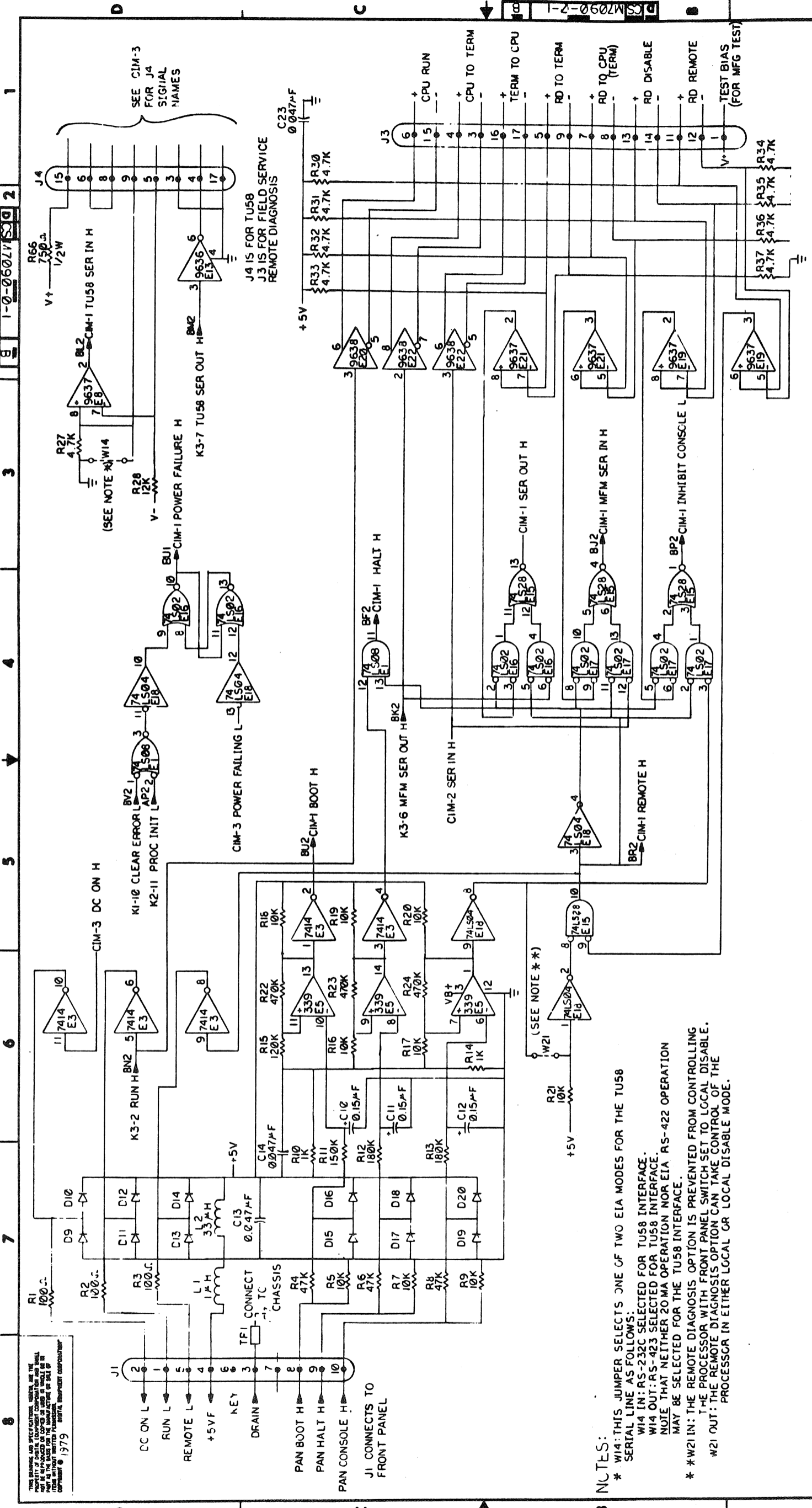


REVISION HISTORY		
DATE	ECO NUMBER	REV.
7-81	M7090-TM003 ORIGINATED	A

DATE	BY	CHKD	APP'D	DESCRIPTION
17-APR-81	S. STEARN			ISSUE
17-APR-81	B. GIST			REVISED
17-APR-81	B. GIST			REVISED
17-APR-81	B. GIST			REVISED
17-APR-81	B. GIST			REVISED
17-APR-81	B. GIST			REVISED

TITLE
CONSOLE
INTERFACE
MODULE (CIM)

REV. CODE DBD NUMBER M7090-0-2 REV. A



1-0-060LV 2 3 4 5 6 7 8

THIS DRAWING AND SPECIFICATIONS HEREAFTER ARE THE PROPERTY OF DIGITAL EQUIPMENT CORPORATION AND WILL BE FURNISHED TO YOU UNDER A LICENSE. IT IS TO BE USED ONLY FOR THE MANUFACTURE OF THE PRODUCT IDENTIFIED HEREIN. REPRODUCTION OF THIS DRAWING WITHOUT WRITTEN PERMISSION OF DIGITAL EQUIPMENT CORPORATION IS PROHIBITED.

SEE CIM-3 FOR J4 SIGNAL NAMES

J1 CONNECTS TO FRONT PANEL

J4 IS FOR TUS8
J3 IS FOR FIELD SERVICE
REMOTE DIAGNOSIS

NOTES:

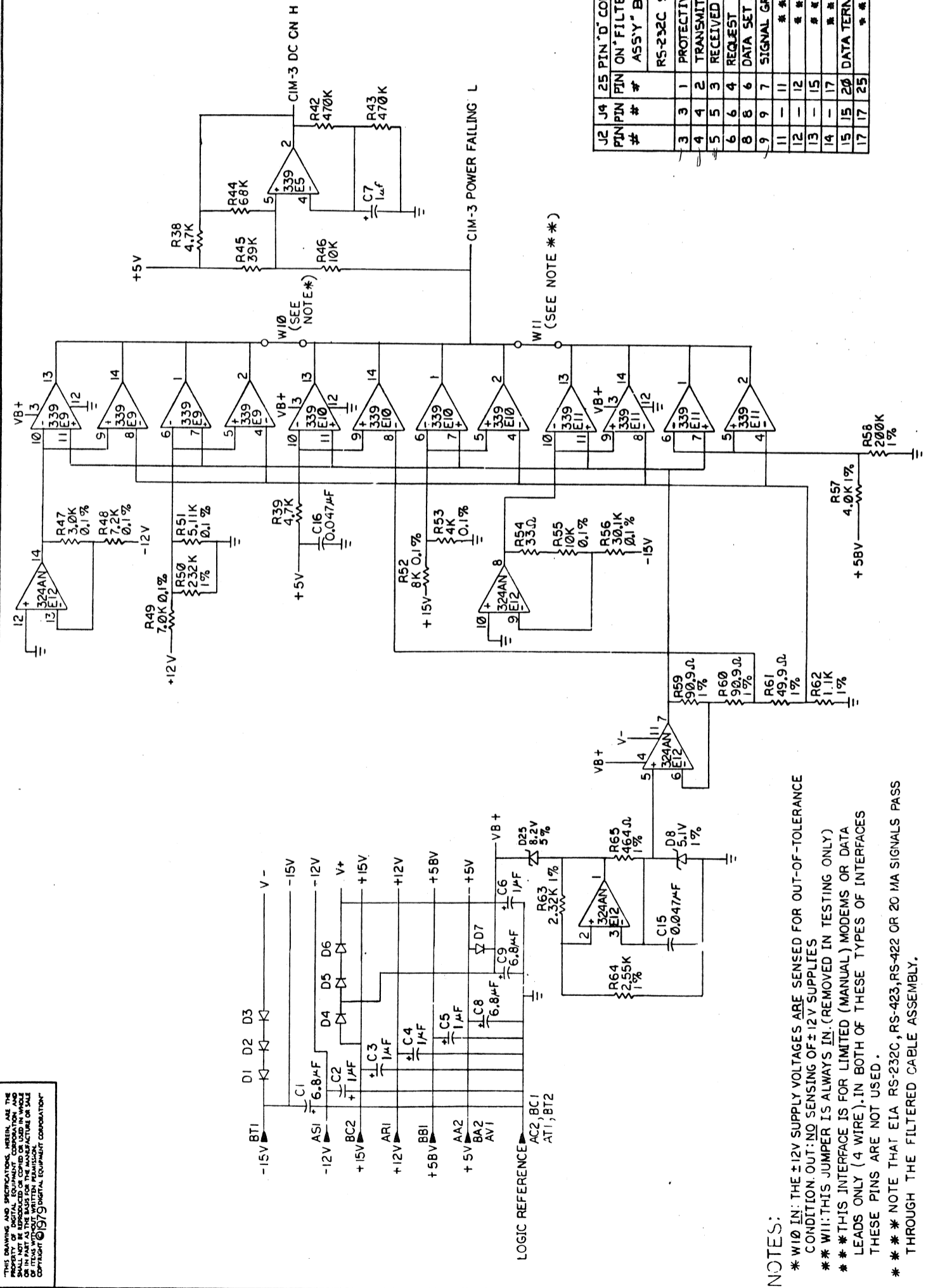
- * W14: THIS JUMPER SELECTS ONE OF TWO EIA MODES FOR THE TUS8 SERIAL LINE AS FOLLOWS:
W14 IN: RS-232C SELECTED FOR TUS8 INTERFACE.
W14 OUT: RS-423 SELECTED FOR TUS8 INTERFACE.
NOTE THAT NEITHER 20MA OPERATION NOR EIA RS-422 OPERATION MAY BE SELECTED FOR THE TUS8 INTERFACE.
- * *W21 IN: THE REMOTE DIAGNOSIS OPTION IS PREVENTED FROM CONTROLLING THE PROCESSOR WITH FRONT PANEL SWITCH SET TO LOCAL DISABLE.
* *W21 OUT: THE REMOTE DIAGNOSIS OPTION CAN TAKE CONTROL OF THE PROCESSOR IN EITHER LOCAL OR LOCAL DISABLE MODE.

DIR. & REV.	5	DATE	1-7-77
CHK'D BY	WJG	DATE	1-7-77
ENL. BY	WJG	DATE	1-7-77
PROJ. ENG. BY	WJG	DATE	1-7-77
PROJ. MGR.	WJG	DATE	1-7-77
WJG	DATE	1-7-77	
SCALE	1:1	SHEET	3
REV.	B	DATE	1-7-77

DIR. & REV.	5	DATE	1-7-77
CHK'D BY	WJG	DATE	1-7-77
ENL. BY	WJG	DATE	1-7-77
PROJ. ENG. BY	WJG	DATE	1-7-77
PROJ. MGR.	WJG	DATE	1-7-77
WJG	DATE	1-7-77	
SCALE	1:1	SHEET	3
REV.	B	DATE	1-7-77

DIR. & REV.	5	DATE	1-7-77
CHK'D BY	WJG	DATE	1-7-77
ENL. BY	WJG	DATE	1-7-77
PROJ. ENG. BY	WJG	DATE	1-7-77
PROJ. MGR.	WJG	DATE	1-7-77
WJG	DATE	1-7-77	
SCALE	1:1	SHEET	3
REV.	B	DATE	1-7-77

THIS DRAWING AND SPECIFICATIONS HEREBY ARE THE PROPERTY OF DIGITAL EQUIPMENT CORPORATION AND SHALL NOT BE REPRODUCED OR COPIED OR USED IN WHOLE OR IN PART WITHOUT WRITTEN PERMISSION. COPYRIGHT © 1979 DIGITAL EQUIPMENT CORPORATION



NOTES:
 * W10 IN: THE ±12V SUPPLY VOLTAGES ARE SENSED FOR OUT-OF-TOLERANCE CONDITION. OUT-NO SENSING OF ±12V SUPPLIES
 ** W11: THIS JUMPER IS ALWAYS IN. (REMOVED IN TESTING ONLY)
 *** THIS INTERFACE IS FOR LIMITED (MANUAL) MODEMS OR DATA LEADS ONLY (4 WIRE). IN BOTH OF THESE TYPES OF INTERFACES THESE PINS ARE NOT USED.
 * * * NOTE THAT EIA RS-232C, RS-423, RS-422 OR 20 MA SIGNALS PASS THROUGH THE FILTERED CABLE ASSEMBLY.

J2 PIN #	J4 PIN #	25 PIN 'D' CONNECTOR #	37 PIN 'D' CONNECTOR #	8 PIN MATE-N-LOK #
3	3	1	1	1
4	4	2	2	2
5	5	3	3	3
6	6	4	4	4
7	7	5	5	5
8	8	6	6	6
9	9	7	7	7
11	11	8	8	8
12	12	9	9	9
13	13	10	10	10
14	14	11	11	11
15	15	12	12	12
17	17	13	13	13
17	17	14	14	14
17	17	15	15	15
17	17	16	16	16
17	17	17	17	17
17	17	18	18	18
17	17	19	19	19
17	17	20	20	20
17	17	21	21	21
17	17	22	22	22
17	17	23	23	23
17	17	24	24	24
17	17	25	25	25

RESISTOR TOLERANCES ARE 5% UNLESS OTHERWISE NOTED

LINE ITEM	DOCUMENT NUMBER	PART NUMBER	DESCRIPTION	QTY PER VARIATION	REFERENCE DESIGNATOR
1	1	5013819-00	DRILLRETCR BOARD	1	
2	2	1000024-00	470.0 MMF 100V 5%200PFM MICA	2	C19,C20
3	3	1001765-00	.005 MFD 100V 20% ZST DISC	1	C21
4	4	1001776-00	1 MFD 35V 10% S.TANT	6	C2-C7
5	5	1005306-00	6.8MFD 35V 10% S.TANT	3	C1,C8,C9
6	6	1011895-00	.15 MFD 35V 10% S.TANT	3	C10-C12
7	7	1012784-00	.047 MFD 50V +80-20% CER	8	C13-C18,C22,C23
8	8	1103441-00	IN 756A VZ= 8.2 5% .40W P	1	D25
9	9	1105275-00	D 672 TR= 15NS PIV= 60V SI	12	D9-D20
10	10	1105610-00	MCL1301 CLQIMA FROM10-80V	1	D22
11	11	1105796-00	IN 4004 PIV=400 I= 1A D041 SP	9	D1-D7,D23,D24
12	12	1105871-00	1/4MS,1A21 = 5.1 1% .25W N	1	D8
13	13	1110864-00	LED 2MCD@10MA	1	D21
14	14	1209941-03	HEADER	4	
15	15	1209941-04	RT ANGLE LEFT L	4	
16	16	1300197-00	RT ANGLE,RIGHT	2	R54,R80
17	17	1300229-00	.25 W 5.0 %	3	R1-R3
18	18	1300250-00	.25 W 5.0 %	1	R72
19	19	1300260-00	.50 W 5.0 %	2	R76,R77
20	20	1300271-00	.25 W 5.0 %	1	R79
21	21	1300309-00	.25 W 5.0 %	1	R74
22	22	1300316-00	.25 W 5.0 %	1	R69
23	23	1300354-00	.50 W 5.0 %	2	R25,R66
24	24	1300365-00	1.0 K	3	R10,R14,R68
25	25	1300447-00	4.70 K	12	R27,R29-R39
26	26	1300479-00	10.0 K	12	R5,R7,R9,R16-R21,R46,R70,R71
27	27	1300488-00	12.0 K	2	R26,R28
28	28	1300539-00	120.0 K	2	R15,R81
29	29	1301327-00	68.0 K	2	R44,R73
30	30	1301422-00	7.50 K	1	R82

REVISION HISTORY

ENGR	ECO NUMBER	REV	SECTION A OF A	SECTION, VARIATION INDEX	CHK'D:	F. GAROFALO	DATE:	7-FEB-79	TITLE	D I G I T A L
BG	M7090-TW001	A	EAJ 00							
RN	M7090-YW002	B	FBJ							
RN	M7090-TW002 Rg	B	ECJ							
			EDJ							
			EEJ							
			EFJ							
			EHJ							
			EIJ							
			EKJ							
			ELJ							
			EMJ							
			ENJ							

THIS DRAWING AND SPECIFICATIONS HEREIN, ARE THE PROPERTY OF DIGITAL EQUIPMENT CORPORATION AND SHALL NOT BE REPRODUCED OR COPIED OR USED IN WHOLE OR IN PART AS THE BASIS FOR THE MANUFACTURE OR SALE OF ITEMS WITHOUT WRITTEN PERMISSION. COPYRIGHT (C) 1980. DIGITAL EQUIPMENT CORPORATION.

7.1.1

LINE ITEM	DOCUMENT NUMBER	FART NUMBER	DESCRIPTION	QTY PER VARIATION	REFERENCE DESIGNATOR
31		1302177-00	47.0 K .25 W 5.0 % CC	4	R4,R6,R8,R41
32		1302396-00	150.0 K .25 W 5.0 % CC	1	R11
33		1302397-00	180.0 K .25 W 5.0 % CC	2	R12,R13
34		1302398-00	470.0 K .25 W 5.0 % CC	5	R22-R24,R42,R43
35		1302514-00	39.0 K .25 W 5.0 % CC	1	R45
36		1302645-00	1.10 K .25 W 1.0 % RN55D-F10	1	R62
37		1302676-00	3.0 K .25 W .10% RN55E-B 2	1	R47
38		1302931-00	49.90 .25 W 1.0 % RN55D-F10	1	R61
39		1303037-00	90.90 .25 W 1.0 % RN55D-F10	2	R59,R60
40		1303047-00	464.0 1.0 W 5.0 % CC	1	R65
41		1303048-00	560.0 7.20 K .25 W .10% RN55E-B 2	2	R75,R78
42		1303205-00	4.0 K .25 W .10% RN55E-B 2	1	R48
43		1304728-00	4.0 K .25 W 1.0 % RN55D-F10	1	R53
44		1305127-00	200.0 K .25 W 1.0 % RN55D-E10	1	R57
45		1305336-00	7.0 K .25 W .10% RN55C-B 5	1	R58
46		1305355-00	8.0 K .25 W .10% RN55C-B 5	1	R49
47		1305356-00	232.0 K .25 W 1.0 % RN55D-F10	1	R52
48		1305424-00	10.0 K .25 W .10% RN55E-B 2	1	R50
49		1305431-00	5.11 K .25 W .10% RN55E-B 2	1	R55
50		1305432-00	30.10 K .25 W .10% RN55E-B 2	1	R51
51		1310248-00	2.55 K .25 W 5.0 % CC	1	R56
52		1310633-00	2.32 K .25 W 1.0 % RN55D-F10	1	R64
53		1311522-00	DEC6531B NFN 310MW SI 40 90 P	1	R67
54		1312545-00	XA 05 NFN 500MW SI 60 50 P	1	R63
55		1509338-00	XA 55 NFN 500MW SI 60 50 P	1	Q1
56		1510705-00	1.0 UH 10% 475MA #DD1.00	1	Q3
57		1510706-00	33 UH 5% 300MA	1	Q2
58		1510727-01	DEC 8242 COMPARTOR-4BIT N	1	E6
59		1601562-00	7414 INVERTER,HEX 1IN SCH	1	L1
60		1601759-00	4N26 OPTO COUPLED ISLTR	1	L2
61		1909712-00	324ANOP AMP,QUAD	1	E7
62		1911324-00	339 VOLT CMPRTR,QUAD	1	E3
63		1911998-00	LS02 NOR-GATE-QUAD 2IN	1	E2
64		1912107-01	LS04 INVERTER GATE-HEX 1I	4	E5,E9-E11
65		1912108-00	LS08 AND GATE-QUAD 2IN,PO	2	E16,E17
66		1912801-00	LS28 NOR GATE-QUAD 2IN,PO	1	E18
67		1912803-00	LS74 FF-D DUAL,EDGE TRIGG	1	E1
68		1912814-00	9636 DRIVER,DUAL,EIA RS-	1	E15
69		1912824-00	9637 RECEIVER,DUAL,RS-42	1	E4
70		1915415-00	9638 DRIVER,DUAL,EIA RS-	1	E13
71		1915416-00	HEADER 20POS RT ANGLE	4	E8,E14,E19,E21
72		1915417-00	HEADER 10POS RT ANGLE	2	E20,E22
73		1209941-13	*** THIS ITEM IS NOT USED ***	3	J2-J4
74		1209941-12	EYELET, ROLLED FLANGE, .121 OD X	1	J1
75		7422428-00	TERM QUICK 1POS ADAPTER	4	TP1
76		9006732-00		1	
77		9007112-00		1	
78					

SIZE	CODE	DOCUMENT NUMBER	REV
K	PL	M7090-0-DBP	B

TW

AUTOMATED BY PRTLIST,3J(25)

P A R T S L I S T

SHEET A3 OF A3

LINE ITEM	DOCUMENT NUMBER	PART NUMBER	DESCRIPTION	QTY PER VARIATION	REFERENCE DESIGNATOR
79		9008337-06	HANDLE, FLIP CHIP, MAGENTA	2	
80		9009000-00	EYELET, ROLLED FLANGE, .121 OD X	1	
81		9009157-00	ADH,LIQ.FM.TEMP CURING COLORLESS	A/R	
82		9009185-00	JUMPER, WIRE, INSULATED, BLACK B	6	W10-W12,W16,W18,W20
83		9105740-55	WIRE(WRAP)30AWG	1	
84		9107360-00	WIRE,STRND,18AWG,IPVC	A/R	
			UL1429		
			UL1429		

85 NOTE: ITEM #84 IS USED.

D	I	G	I	T	A	L	TITLE	SECTION A OF A	SIZE CODE	DOCUMENT NUMBER	REV
							CONSOLE INTERFACE MODULE		K	PL M7090-0-DBP	B

7W