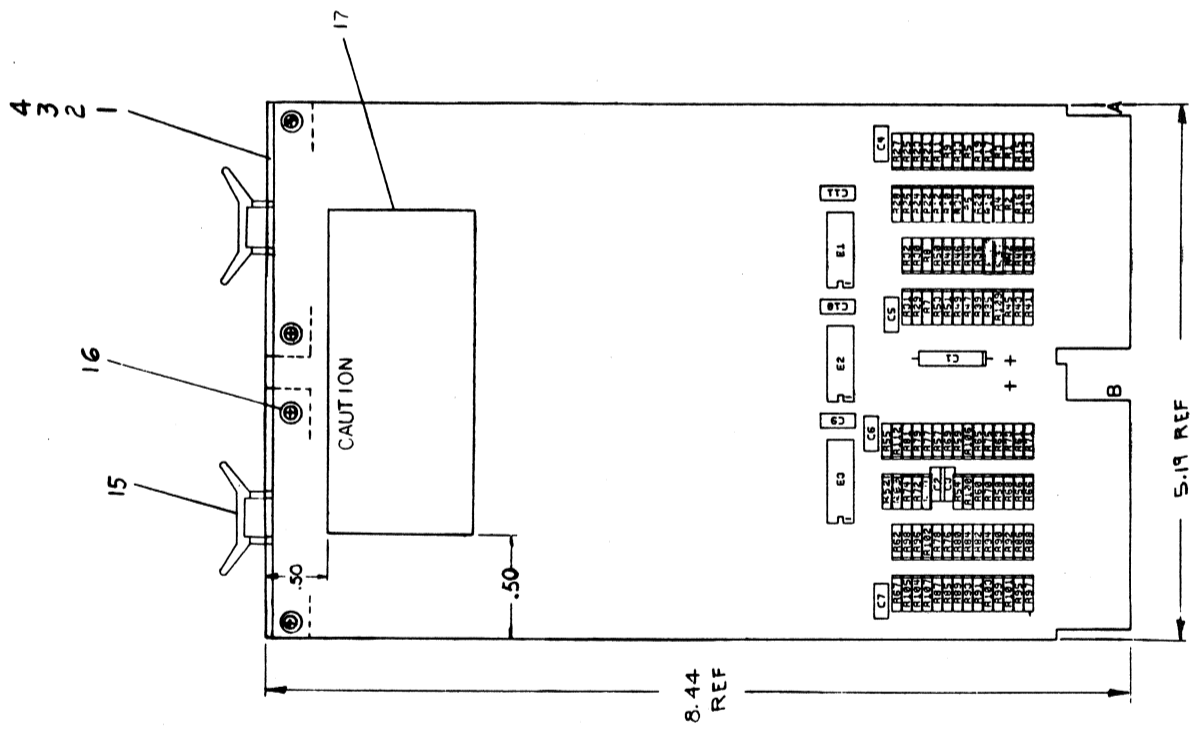


1 2 3 4 5 6 7 8

THIS DRAWING AND SPECIFICATIONS SHALL BE THE PROPERTY OF DIGITAL EQUIPMENT CORPORATION AND SHALL NOT BE REPRODUCED OR COPIED OR USED IN ANY MANNER WITHOUT THE WRITTEN PERMISSION OF DIGITAL EQUIPMENT CORPORATION
 © 1974 DIGITAL EQUIPMENT CORPORATION

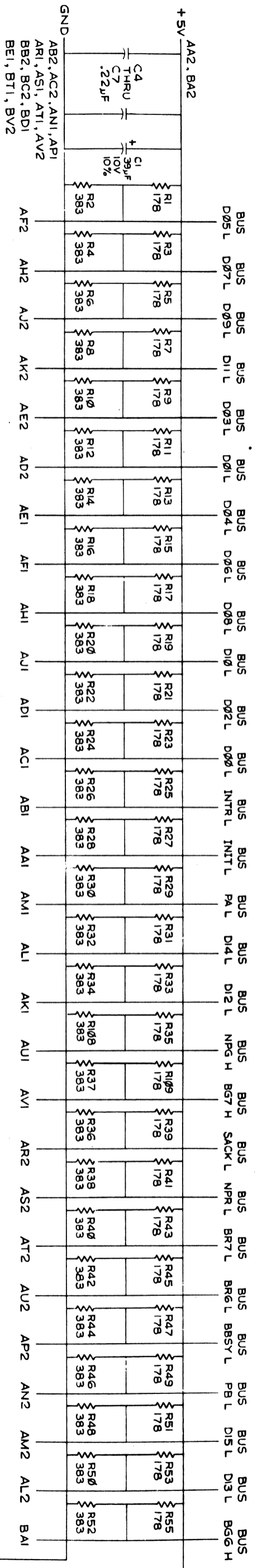
NOTES:
 1) THE FOLLOWING REFERENCE DESIGNATIONS ARE NOT USED: C8, R24, AND R110.



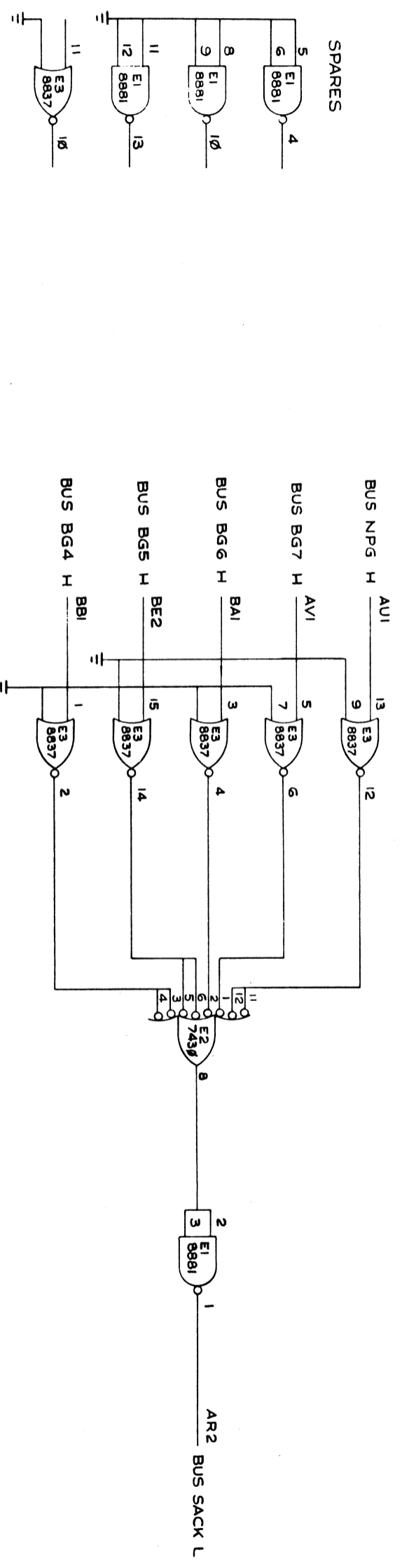
REF	QTY	REF DESIGNATION	DESCRIPTION	PART NO	ITEM NO
REF			X-Y HOLE COORDINATE HOLE LOCATION	K-CO-W9302-0-4	1
REF			ASSY DRILLING HOLE LAYOUT	D-AH-W9302-0-5	2
REF			MODULE ECO HISTORY	B-MH-W9302-0-6	3
REF			ETCHED CIRCUIT BOARD	50T1311	4
3		C9, C10, C11	CAP .01 uf 100V 20% D1SC	1001610-01	5
1		C1	CAP 39 uf 10V 10%	1000076	6
1		C2	CAP 6.8 uf 35V 10%	1000006	7
4		C4 THRU C7	CAP 22 uf 50V 1%	1010274-01	8
2		C2, C3	CAP .001 uf 250V 20% D1SC	1000043	9
56		R2, R4, R6, R8, R10, R12, R14, R16, R18, R20, R22, R24, R26, R28, R30, R32, R34, R36, R38, R40, R42, R44, R46, R48, R50, R52, R54, R56, R58, R60, R62, R64, R66, R68, R70, R72, R74, R76, R78, R80, R82, R84, R86, R88, R90, R92, R94, R96, R98, R100, R102, R104, R106, R108, R110, R112, R114, R116, R118, R120, R122, R124, R126, R128, R130, R132, R134, R136, R138, R140, R142, R144, R146, R148, R150, R152, R154, R156, R158, R160, R162, R164, R166, R168, R170, R172, R174, R176, R178, R180, R182, R184, R186, R188, R190, R192, R194, R196, R198, R200, R202, R204, R206, R208, R210, R212, R214, R216, R218, R220, R222, R224, R226, R228, R230, R232, R234, R236, R238, R240, R242, R244, R246, R248, R250, R252, R254, R256, R258, R260, R262, R264, R266, R268, R270, R272, R274, R276, R278, R280, R282, R284, R286, R288, R290, R292, R294, R296, R298, R300, R302, R304, R306, R308, R310, R312, R314, R316, R318, R320, R322, R324, R326, R328, R330, R332, R334, R336, R338, R340, R342, R344, R346, R348, R350, R352, R354, R356, R358, R360, R362, R364, R366, R368, R370, R372, R374, R376, R378, R380, R382, R384, R386, R388, R390, R392, R394, R396, R398, R400, R402, R404, R406, R408, R410, R412, R414, R416, R418, R420, R422, R424, R426, R428, R430, R432, R434, R436, R438, R440, R442, R444, R446, R448, R450, R452, R454, R456, R458, R460, R462, R464, R466, R468, R470, R472, R474, R476, R478, R480, R482, R484, R486, R488, R490, R492, R494, R496, R498, R500, R502, R504, R506, R508, R510, R512, R514, R516, R518, R520, R522, R524, R526, R528, R530, R532, R534, R536, R538, R540, R542, R544, R546, R548, R550, R552, R554, R556, R558, R560, R562, R564, R566, R568, R570, R572, R574, R576, R578, R580, R582, R584, R586, R588, R590, R592, R594, R596, R598, R600, R602, R604, R606, R608, R610, R612, R614, R616, R618, R620, R622, R624, R626, R628, R630, R632, R634, R636, R638, R640, R642, R644, R646, R648, R650, R652, R654, R656, R658, R660, R662, R664, R666, R668, R670, R672, R674, R676, R678, R680, R682, R684, R686, R688, R690, R692, R694, R696, R698, R700, R702, R704, R706, R708, R710, R712, R714, R716, R718, R720, R722, R724, R726, R728, R730, R732, R734, R736, R738, R740, R742, R744, R746, R748, R750, R752, R754, R756, R758, R760, R762, R764, R766, R768, R770, R772, R774, R776, R778, R780, R782, R784, R786, R788, R790, R792, R794, R796, R798, R800, R802, R804, R806, R808, R810, R812, R814, R816, R818, R820, R822, R824, R826, R828, R830, R832, R834, R836, R838, R840, R842, R844, R846, R848, R850, R852, R854, R856, R858, R860, R862, R864, R866, R868, R870, R872, R874, R876, R878, R880, R882, R884, R886, R888, R890, R892, R894, R896, R898, R900, R902, R904, R906, R908, R910, R912, R914, R916, R918, R920, R922, R924, R926, R928, R930, R932, R934, R936, R938, R940, R942, R944, R946, R948, R950, R952, R954, R956, R958, R960, R962, R964, R966, R968, R970, R972, R974, R976, R978, R980, R982, R984, R986, R988, R990, R992, R994, R996, R998, R1000, R1002, R1004, R1006, R1008, R1010, R1012, R1014, R1016, R1018, R1020, R1022, R1024, R1026, R1028, R1030, R1032, R1034, R1036, R1038, R1040, R1042, R1044, R1046, R1048, R1050, R1052, R1054, R1056, R1058, R1060, R1062, R1064, R1066, R1068, R1070, R1072, R1074, R1076, R1078, R1080, R1082, R1084, R1086, R1088, R1090, R1092, R1094, R1096, R1098, R1100, R1102, R1104, R1106, R1108, R1110, R1112, R1114, R1116, R1118, R1120, R1122, R1124, R1126, R1128, R1130, R1132, R1134, R1136, R1138, R1140, R1142, R1144, R1146, R1148, R1150, R1152, R1154, R1156, R1158, R1160, R1162, R1164, R1166, R1168, R1170, R1172, R1174, R1176, R1178, R1180, R1182, R1184, R1186, R1188, R1190, R1192, R1194, R1196, R1198, R1200, R1202, R1204, R1206, R1208, R1210, R1212, R1214, R1216, R1218, R1220, R1222, R1224, R1226, R1228, R1230, R1232, R1234, R1236, R1238, R1240, R1242, R1244, R1246, R1248, R1250, R1252, R1254, R1256, R1258, R1260, R1262, R1264, R1266, R1268, R1270, R1272, R1274, R1276, R1278, R1280, R1282, R1284, R1286, R1288, R1290, R1292, R1294, R1296, R1298, R1300, R1302, R1304, R1306, R1308, R1310, R1312, R1314, R1316, R1318, R1320, R1322, R1324, R1326, R1328, R1330, R1332, R1334, R1336, R1338, R1340, R1342, R1344, R1346, R1348, R1350, R1352, R1354, R1356, R1358, R1360, R1362, R1364, R1366, R1368, R1370, R1372, R1374, R1376, R1378, R1380, R1382, R1384, R1386, R1388, R1390, R1392, R1394, R1396, R1398, R1400, R1402, R1404, R1406, R1408, R1410, R1412, R1414, R1416, R1418, R1420, R1422, R1424, R1426, R1428, R1430, R1432, R1434, R1436, R1438, R1440, R1442, R1444, R1446, R1448, R1450, R1452, R1454, R1456, R1458, R1460, R1462, R1464, R1466, R1468, R1470, R1472, R1474, R1476, R1478, R1480, R1482, R1484, R1486, R1488, R1490, R1492, R1494, R1496, R1498, R1500, R1502, R1504, R1506, R1508, R1510, R1512, R1514, R1516, R1518, R1520, R1522, R1524, R1526, R1528, R1530, R1532, R1534, R1536, R1538, R1540, R1542, R1544, R1546, R1548, R1550, R1552, R1554, R1556, R1558, R1560, R1562, R1564, R1566, R1568, R1570, R1572, R1574, R1576, R1578, R1580, R1582, R1584, R1586, R1588, R1590, R1592, R1594, R1596, R1598, R1600, R1602, R1604, R1606, R1608, R1610, R1612, R1614, R1616, R1618, R1620, R1622, R1624, R1626, R1628, R1630, R1632, R1634, R1636, R1638, R1640, R1642, R1644, R1646, R1648, R1650, R1652, R1654, R1656, R1658, R1660, R1662, R1664, R1666, R1668, R1670, R1672, R1674, R1676, R1678, R1680, R1682, R1684, R1686, R1688, R1690, R1692, R1694, R1696, R1698, R1700, R1702, R1704, R1706, R1708, R1710, R1712, R1714, R1716, R1718, R1720, R1722, R1724, R1726, R1728, R1730, R1732, R1734, R1736, R1738, R1740, R1742, R1744, R1746, R1748, R1750, R1752, R1754, R1756, R1758, R1760, R1762, R1764, R1766, R1768, R1770, R1772, R1774, R1776, R1778, R1780, R1782, R1784, R1786, R1788, R1790, R1792, R1794, R1796, R1798, R1800, R1802, R1804, R1806, R1808, R1810, R1812, R1814, R1816, R1818, R1820, R1822, R1824, R1826, R1828, R1830, R1832, R1834, R1836, R1838, R1840, R1842, R1844, R1846, R1848, R1850, R1852, R1854, R1856, R1858, R1860, R1862, R1864, R1866, R1868, R1870, R1872, R1874, R1876, R1878, R1880, R1882, R1884, R1886, R1888, R1890, R1892, R1894, R1896, R1898, R1900, R1902, R1904, R1906, R1908, R1910, R1912, R1914, R1916, R1918, R1920, R1922, R1924, R1926, R1928, R1930, R1932, R1934, R1936, R1938, R1940, R1942, R1944, R1946, R1948, R1950, R1952, R1954, R1956, R1958, R1960, R1962, R1964, R1966, R1968, R1970, R1972, R1974, R1976, R1978, R1980, R1982, R1984, R1986, R1988, R1990, R1992, R1994, R1996, R1998, R2000, R2002, R2004, R2006, R2008, R2010, R2012, R2014, R2016, R2018, R2020, R2022, R2024, R2026, R2028, R2030, R2032, R2034, R2036, R2038, R2040, R2042, R2044, R2046, R2048, R2050, R2052, R2054, R2056, R2058, R2060, R2062, R2064, R2066, R2068, R2070, R2072, R2074, R2076, R2078, R2080, R2082, R2084, R2086, R2088, R2090, R2092, R2094, R2096, R2098, R2100, R2102, R2104, R2106, R2108, R2110, R2112, R2114, R2116, R2118, R2120, R2122, R2124, R2126, R2128, R2130, R2132, R2134, R2136, R2138, R2140, R2142, R2144, R2146, R2148, R2150, R2152, R2154, R2156, R2158, R2160, R2162, R2164, R2166, R2168, R2170, R2172, R2174, R2176, R2178, R2180, R2182, R2184, R2186, R2188, R2190, R2192, R2194, R2196, R2198, R2200, R2202, R2204, R2206, R2208, R2210, R2212, R2214, R2216, R2218, R2220, R2222, R2224, R2226, R2228, R2230, R2232, R2234, R2236, R2238, R2240, R2242, R2244, R2246, R2248, R2250, R2252, R2254, R2256, R2258, R2260, R2262, R2264, R2266, R2268, R2270, R2272, R2274, R2276, R2278, R2280, R2282, R2284, R2286, R2288, R2290, R2292, R2294, R2296, R2298, R2300, R2302, R2304, R2306, R2308, R2310, R2312, R2314, R2316, R2318, R2320, R2322, R2324, R2326, R2328, R2330, R2332, R2334, R2336, R2338, R2340, R2342, R2344, R2346, R2348, R2350, R2352, R2354, R2356, R2358, R2360, R2362, R2364, R2366, R2368, R2370, R2372, R2374, R2376, R2378, R2380, R2382, R2384, R2386, R2388, R2390, R2392, R2394, R2396, R2398, R2400, R2402, R2404, R2406, R2408, R2410, R2412, R2414, R2416, R2418, R2420, R2422, R2424, R2426, R2428, R2430, R2432, R2434, R2436, R2438, R2440, R2442, R2444, R2446, R2448, R2450, R2452, R2454, R2456, R2458, R2460, R2462, R2464, R2466, R2468, R2470, R2472, R2474, R2476, R2478, R2480, R2482, R2484, R2486, R2488, R2490, R2492, R2494, R2496, R2498, R2500, R2502, R2504, R2506, R2508, R2510, R2512, R2514, R2516, R2518, R2520, R2522, R2524, R2526, R2528, R2530, R2532, R2534, R2536, R2538, R2540, R2542, R2544, R2546, R2548, R2550, R2552, R2554, R2556, R2558, R2560, R2562, R2564, R2566, R2568, R2570, R2572, R2574, R2576, R2578, R2580, R2582, R2584, R2586, R2588, R2590, R2592, R2594, R2596, R2598, R2600, R2602, R2604, R2606, R2608, R2610, R2612, R2614, R2616, R2618, R2620, R2622, R2624, R2626, R2628, R2630, R2632, R2634, R2636, R2638, R2640, R2642, R2644, R2646, R2648, R2650, R2652, R2654, R2656, R2658, R2660, R2662, R2664, R2666, R2668, R2670, R2672, R2674, R2676, R2678, R2680, R2682, R2684, R2686, R2688, R2690, R2692, R2694, R2696, R2698, R2700, R2702, R2704, R2706, R2708, R2710, R2712, R2714, R2716, R2718, R2720, R2722, R2724, R2726, R2728, R2730, R2732, R2734, R2736, R2738, R2740, R2742, R2744, R2746, R2748, R2750, R2752, R2754, R2756, R2758, R2760, R2762, R2764, R2766, R2768, R2770, R2772, R2774, R2776, R2778, R2780, R2782, R2784, R2786, R2788, R2790, R2792, R2794, R2796, R2798, R2800, R2802, R2804, R2806, R2808, R2810, R2812, R2814, R2816, R2818, R2820, R2822, R2824, R2826, R2828, R2830, R2832, R2834, R2836, R2838, R2840, R2842, R2844, R2846, R2848, R2850, R2852, R2854, R2856, R2858, R2860, R2862, R2864, R2866, R2868, R2870, R2872, R2874, R2876, R2878, R2880, R2882, R2884, R2886, R2888, R2890, R2892, R2894, R2896, R2898, R2900, R2902, R2904, R2906, R2908, R2910, R2912, R2914, R2916, R2918, R2920, R2922, R2924, R2926, R2928, R2930, R2932, R2934, R2936, R2938, R2940, R2942, R2944, R2946, R2948, R2950, R2952, R2954, R2956, R2958, R2960, R2962, R2964, R2966, R2968, R2970, R2972, R2974, R2976, R2978, R2980, R2982, R2984, R2986, R2988, R2990, R2992, R2994, R2996, R2998, R3000, R3002, R3004, R3006, R3008, R3010, R3012, R3014, R3016, R3018, R3020, R3022, R3024, R3026, R3028, R3030, R3032, R3034, R3036, R3038, R3040, R3042, R3044, R3046, R3048, R3050, R3052, R3054, R3056, R3058, R3060, R3062, R3064, R3066, R3068, R3070, R3072, R3074, R3076, R3078, R3080, R3082, R3084, R3086, R3088, R3090, R3092, R3094, R3096, R3098, R3100, R3102, R3104, R3106, R3108, R3110, R3112, R3114, R3116, R3118, R3120, R3122, R3124, R3126, R3128, R3130, R3132, R3134, R3136, R3138, R3140, R3142, R3144, R3146, R3148, R3150, R3152, R3154, R3156, R3158, R3160, R3162, R3164, R3166, R3168, R3170, R3172, R3174, R3176, R3178, R3180, R3182, R3184, R3186, R3188, R3190, R3192, R3194, R3196, R3198, R3200, R3202, R3204, R3206, R3208, R3210, R3212, R3214, R3216, R3218, R3220, R3222, R3224, R3226, R3228, R3230, R3232, R3234, R3236, R3238, R3240, R3242, R3244, R3246, R3248, R3250, R3252, R3254, R3256, R3258, R3260, R3262, R3264, R3266, R3268, R3270, R3272, R3274, R3276, R3278, R3280, R3282, R3284, R3286, R3288, R3290, R3292, R3294, R3296, R3298, R3300, R3302, R3304, R3306, R3308, R3310, R3312, R3314, R3316, R3318, R3320, R3322, R3324, R3326, R3328, R3330, R3332, R3334, R3336, R3338, R3340, R3342, R3344, R3346, R3348, R3350, R3352, R3354, R3356, R3358, R3360, R3362, R3364, R3366, R3368, R3370, R3372, R3374, R3376, R3378, R3380, R3382, R3384, R3386, R3388, R3390, R3392, R3394, R3396, R3398, R3400, R3402, R3404, R3406, R3408, R3410, R3412, R3414, R3416, R3418, R3420, R3422, R3424, R3426, R3428, R3430, R3432, R3434, R3436, R3438, R3440, R3442, R3444, R3446, R3448, R3450, R3452, R3454, R3456, R3458, R3460, R3462, R3464, R3466, R3468, R3470, R3472, R3474, R3476, R3478, R3480, R3482, R3484, R3486, R3488, R3490, R3492, R3494, R3496, R3498, R3500, R3502, R3504, R3506, R3508, R3510, R3512, R3514, R3516, R3518, R3520, R3522, R3524, R3526, R3528, R3530, R3532, R3534, R3536, R3538, R3540, R3542, R3544, R3546, R3548, R3550, R3552, R3554, R3556, R3558, R3560, R3562, R3564, R3566, R3568, R3570, R3572, R3574, R3576, R3578, R3580, R3582, R3584, R3586, R3588, R3590, R3592, R3594, R3596, R3598, R3600, R3602, R3604, R3606, R3608, R3610, R3612, R3614, R3616, R3618, R3620, R3622, R3624, R3626, R3628, R3630, R3632, R3634, R3636, R3638, R3640, R3642, R3644, R3646, R3648, R3650, R3652, R3654, R3656, R3658, R3660, R3662, R3664, R3666, R3668, R3670, R3672, R3674, R3676, R3678, R3680, R3682, R3684, R3686, R3688, R3690, R3692, R3694, R3696, R3698, R3700, R3702, R3704, R3706, R3708, R3710, R3712, R3714, R3716, R3718, R3720, R3722, R3724, R3726, R3728, R3730, R3732, R3734, R3736, R3738, R3740, R3742, R3744, R3746, R3748, R3750, R3752, R3754, R3756, R3758, R3760, R3762, R3764, R3766, R3768, R3770, R3772, R3774, R3776, R3778, R3780, R3782, R3784, R3786, R3788, R3790, R3792, R3794, R3796, R3798, R3800, R3802, R3804, R3806, R3808, R3810, R3812, R3814, R3816, R3818, R3820, R3822, R3824, R3826, R3828, R3830, R3832, R3834, R3836, R3838, R3840, R3842, R3844, R3846, R3848, R3850, R3852, R3854, R3856, R3858, R3860, R3862, R3864, R3866, R3868, R3870, R3872, R3874, R3876, R3878, R3880, R3882, R3884, R3886, R3888, R3890, R3892, R3894, R3896, R3898, R3900, R3902, R3904, R3906, R3908, R3910, R3912, R3914, R3916, R3918, R3920, R3922, R3924, R3926, R3928, R3930, R3932, R3934, R3936, R3938, R3940, R3942, R3944, R3946, R3948, R395			

THIS DRAWING AND SPECIFICATIONS, HEREIN ARE THE PROPERTY OF BURROUGHS WALKER CORPORATION. NO PART IS TO BE REPRODUCED OR COPIED IN WHOLE OR IN PART WITHOUT THE WRITTEN PERMISSION OF BURROUGHS WALKER CORPORATION. © 1975 BURROUGHS WALKER CORPORATION.

8 7 6 5 4 3 2 1



R57	R59	R61	R63	R65	R67	R69	R71	R73	R75	R77	R79	R81	R83	R85	R87	R89	R91	R93	R95	R97	R99	R101	R103	R104	R105	R106	R107
383	178	178	178	178	178	383	178	178	178	178	178	178	178	178	178	178	178	178	178	178	178	178	178	178	178	178	
R54	R56	R58	R60	R62	R64	R66	R68	R70	R72	R74	R76	R78	R80	R82	R84	R86	R88	R90	R92	R94	R96	R98	R100	R102			
383	383	383	383	383	383	383	383	383	383	383	383	383	383	383	383	383	383	383	383	383	383	383	383	383			



REVISIONS	
CHG	REV
CHANGE NO	REV

8 7 6 5 4 3 2 1

DCS M9302-0-1

TITLE: UNIBUS TERMINATOR
 NUMBER: M9302-0-1
 SHEET 2 OF 2
 SCALE: DIST

THIS SCHEMATIC IS FURNISHED ONLY FOR TEST AND MAINTENANCE PURPOSES. THE CIRCUITS ARE PROPRIETARY IN NATURE AND SHOULD BE TREATED ACCORDINGLY. COPYRIGHT 1969 BY DIGITAL EQUIPMENT CORPORATION

REV. G727-0-1
 SIZE CODE B CS

- O A
- O B
- O C
- O D
- O E
- O F
- O H
- O J
- O K
- O L
- O M
- O N
- O P
- O R
- O S
- O T
- O U
- O V

REVISIONS		
CHK	CHG NO.	REV.

DRN.	DATE
<i>BUTLER</i>	11-19-69
CHK'D	DATE
<i>P. de Silva</i>	6-12-70
ENG	DATE
<i>P. de Silva</i>	1/28/70
PROD.	DATE

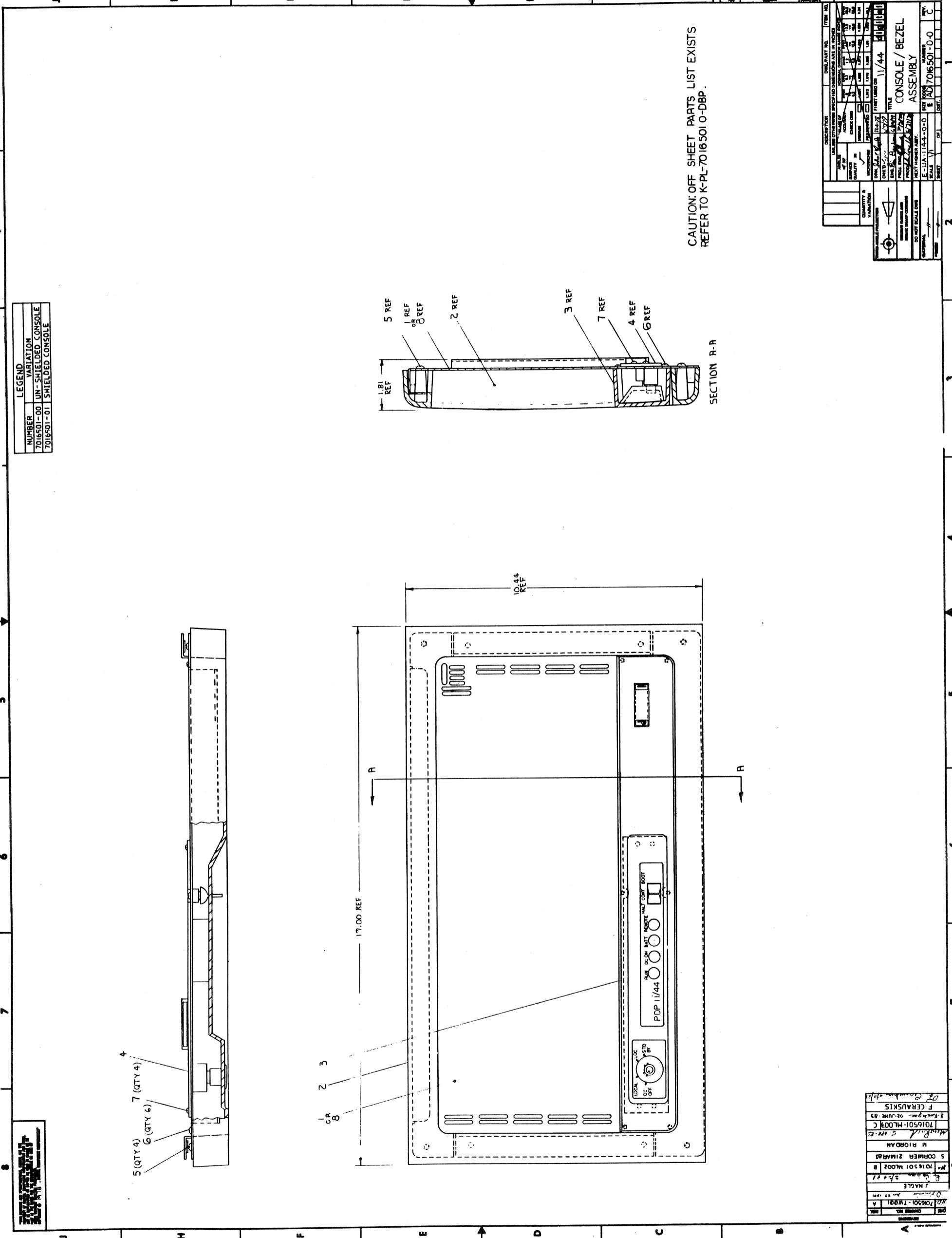
TRANSISTOR & DIODE CONVERSION CHART			
DEC	EIA	DEC	EIA

digital
 EQUIPMENT CORPORATION
 MAYNARD, MASSACHUSETTS

TITLE	GRANT CONTINUITY G727
SIZE	B
CODE	CS
NUMBER	G727-0-1
PRINTED CIRCUIT REV.	A

DEC FORM NO. DRB 102

DIST. 324, 434, 435 3 TW



LEGEND	
NUMBER	VARIATION
7016501-00	UN-SHIELDED CONSOLE
7016501-01	SHIELDED CONSOLE

CAUTION: OFF SHEET PARTS LIST EXISTS REFER TO K-PL-7016501 O-DBP.

DESCRIPTION	CONSOLE / BEZEL ASSEMBLY
QUANTITY & VARIATION	1 / 44
DATE	11/44
SCALE	1:1
PROJECT NUMBER	E-LJA-1144-0-0
SCALE	VI
REV.	C
NO.	1
OF	1

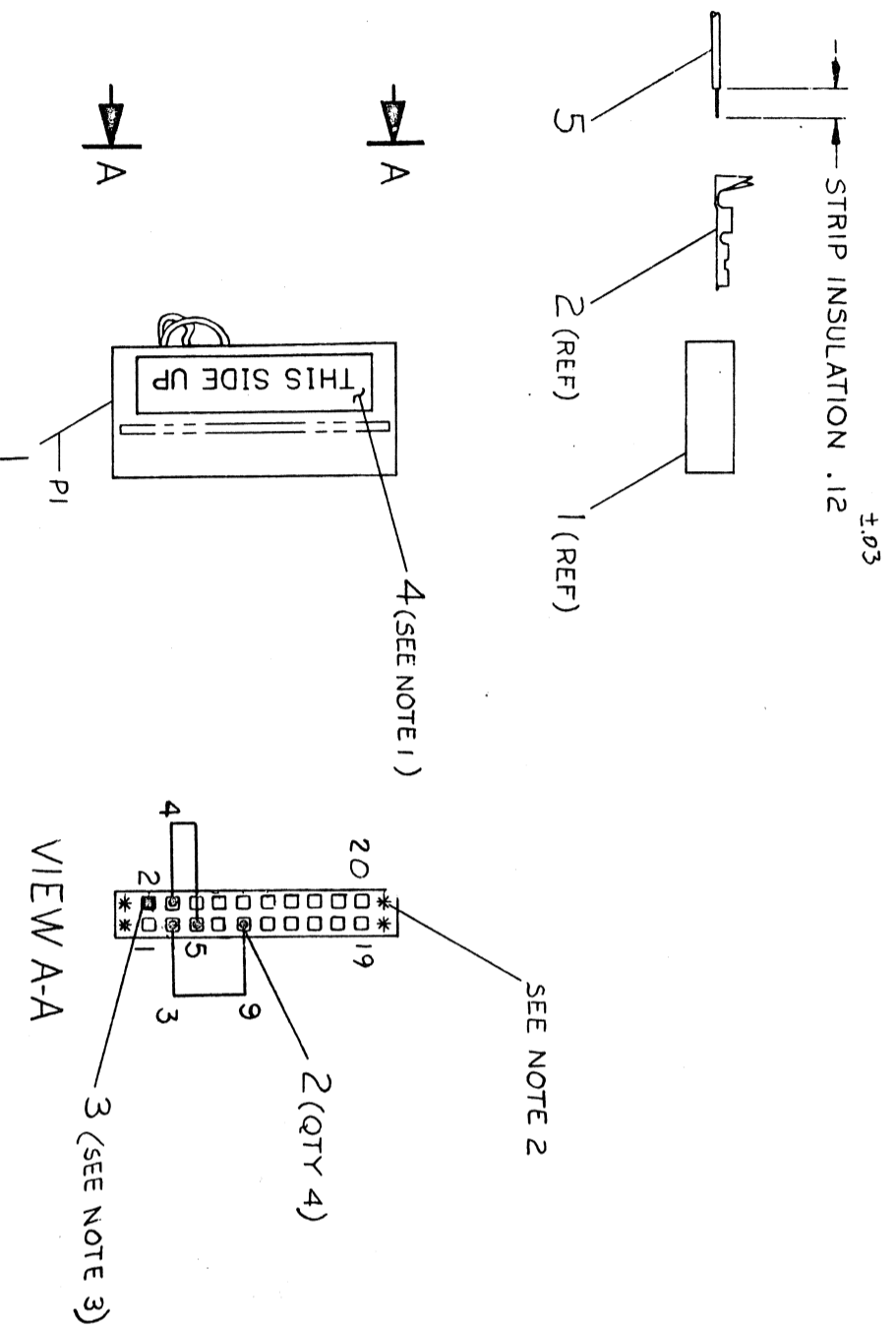
7016501-1144-0-0	REV. A
7016501-1144-0-0	REV. B
7016501-1144-0-0	REV. C
7016501-1144-0-0	REV. D
7016501-1144-0-0	REV. E
7016501-1144-0-0	REV. F
7016501-1144-0-0	REV. G
7016501-1144-0-0	REV. H
7016501-1144-0-0	REV. I
7016501-1144-0-0	REV. J

THIS DRAWING AND SPECIFICATIONS, HEREIN, ARE THE PROPERTY OF DIGITAL EQUIPMENT CORPORATION AND SHALL NOT BE REPRODUCED OR COPIED OR USED IN WHOLE OR IN PART AS THE BASIS FOR THE MANUFACTURE OR SALE OF ITEMS WITHOUT WRITTEN PERMISSION. COPYRIGHT © 1979, DIGITAL EQUIPMENT CORPORATION

ITEM NO.		DESCRIPTION	FROM	TO	REMARKS
5	22	BLK	PI-3	ITEM 2	3.0IN.±.06
5	22	BLK	PI-4	ITEM 2	3.0IN.±.06
3	-	KEY	-	PI-2	ITEM 3 SEE NOTE 3

WIRE TABLE

- NOTES:
1. PLACE LABEL (ITEM 4) ON CONNECTOR (ITEM 1) APPROX. AS SHOWN.
 2. POSITIONS MARKED "*" ASTERIX IN VIEW A-A ARE NOT TO BE USED.
 3. CONNECTOR (ITEM 1) SHALL HAVE ONE KEY (ITEM 3) INSERTED IN POSITION 2 AS SHOWN.



ITEM NO.	DESCRIPTION	DWG./PART NO.	ITEM NO.
60	WIRE, 22AWG, STRDUL1429	9107350-00	5
1	LABEL (THIS SIDE UP).0x.25	3611567-01	4
1	CONN, PIN (DUMMY), KEY	9009140-00	3
4	SOCKET, CRIMP TYP REEL	1210089-07	2
1	TERM. 24 POS. HOUSING	1210918-25	1

THIRD ANGLE PROJECTION

REMOVE BURRS AND BREAK SHARP CORNERS

DO NOT SCALE DWG

MATERIAL SEE PARTS LIST

FINISH

UNLESS OTHERWISE SPECIFIED DIMENSIONS ARE IN INCHES

CLASS OF ACCURACY	OVER 1/2 TO 1/2	OVER 1/2 TO 1/2	OVER 1/2 TO 1/2	OVER 1/2 TO 1/2	OVER 1/2 TO 1/2
ANGLES 40° 30'	±.004	±.008	±.012	±.016	±.024
SURFACE QUALITY IN	MEDIUM	PREFERRED	±.012	±.016	±.024

DRW. R. B. Sullivan MAR 27/79

CHK'D J. F. Sullivan MAR 27/79

ENG. R. D. Sullivan MAR 27/79

PROJ. ENG. R. D. Sullivan MAR 27/79

PROD. M. Sullivan MAR 27/79

NEXT HIGHER ASSY.

TITLE: CONNECTOR, LOOP BACK

DATE: 11/44

DRG./PART NO.: DIGITAL

REVISIONS	CHANGE NO.	REV.
CHK		

REVISIONS

CHANGE NO.

REV.

CHK

SIZE CODE NUMBER REV.

E-UR-1144-0-0 C 1A 7422428-0-0 *

SCALE 2/1

SHEET OF 1 DIST.

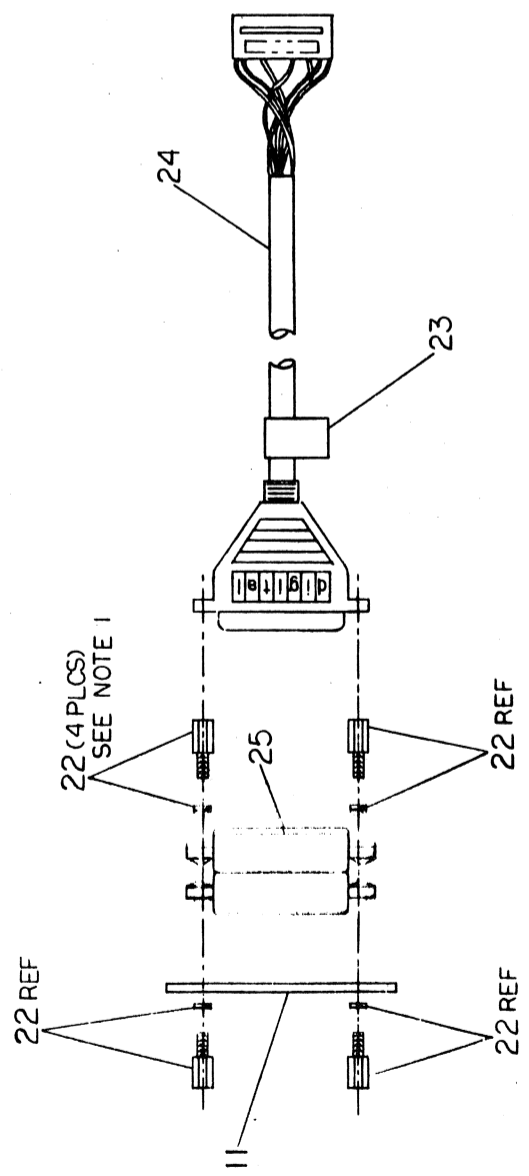
TW 1

8 7 6 5 4 3 2 1

THIS DRAWING AND SPECIFICATIONS HEREIN ARE THE PROPERTY OF DIGITAL EQUIPMENT CORPORATION AND SHALL NOT BE REPRODUCED OR COPIED IN WHOLE OR IN PART WITHOUT WRITTEN PERMISSION. 1983. DIGITAL EQUIPMENT CORPORATION

LEGEND	
PART NO.	VARIATION
BC44A-10	AS SHOWN

NOTES:
 1. USE LOCK WASHER AND STUD ASSY FROM KIT 9008451-01, THEN DISCARD REMAINING PARTS FROM KIT.



CAUTION: OFF SHEET PARTS LIST EXISTS
 SEE K-PL-BC44A-0-DBP.

DESCRIPTION		DRAWING NO.	PART NO.	REV.
UNLESS OTHERWISE SPECIFIED DIMENSIONS ARE IN INCHES AND THE FOLLOWING TOLERANCES APPLY (PER DEC STD 114)				
INCHES TOLERANCES	APPLICABLE DIMENSION RANGE	OVER	UNDER	OVER
X = 1:1	0.000 - 0.250	0.005	0.005	0.005
0.250 - 1.000	0.005 - 0.500	0.010	0.010	0.010
1.000 - 2.000	0.010 - 1.000	0.015	0.015	0.015
2.000 - 5.000	0.015 - 2.000	0.020	0.020	0.020
5.000 - 10.000	0.020 - 5.000	0.030	0.030	0.030
10.000 - 20.000	0.030 - 10.000	0.040	0.040	0.040
20.000 - 50.000	0.040 - 20.000	0.050	0.050	0.050
50.000 - 100.000	0.050 - 50.000	0.060	0.060	0.060
100.000 - 200.000	0.060 - 100.000	0.070	0.070	0.070
200.000 - 500.000	0.070 - 200.000	0.080	0.080	0.080
500.000 - 1000.000	0.080 - 500.000	0.090	0.090	0.090
1000.000 - 2000.000	0.090 - 1000.000	0.100	0.100	0.100
2000.000 - 5000.000	0.100 - 2000.000	0.120	0.120	0.120
5000.000 - 10000.000	0.120 - 5000.000	0.150	0.150	0.150
10000.000 - 20000.000	0.150 - 10000.000	0.180	0.180	0.180
20000.000 - 50000.000	0.180 - 20000.000	0.200	0.200	0.200
50000.000 - 100000.000	0.200 - 50000.000	0.250	0.250	0.250
100000.000 - 200000.000	0.250 - 100000.000	0.300	0.300	0.300
200000.000 - 500000.000	0.300 - 200000.000	0.350	0.350	0.350
500000.000 - 1000000.000	0.350 - 500000.000	0.400	0.400	0.400
1000000.000 - 2000000.000	0.400 - 1000000.000	0.450	0.450	0.450
2000000.000 - 5000000.000	0.450 - 2000000.000	0.500	0.500	0.500
5000000.000 - 10000000.000	0.500 - 5000000.000	0.550	0.550	0.550
10000000.000 - 20000000.000	0.550 - 10000000.000	0.600	0.600	0.600
20000000.000 - 50000000.000	0.600 - 20000000.000	0.650	0.650	0.650
50000000.000 - 100000000.000	0.650 - 50000000.000	0.700	0.700	0.700
100000000.000 - 200000000.000	0.700 - 100000000.000	0.750	0.750	0.750
200000000.000 - 500000000.000	0.750 - 200000000.000	0.800	0.800	0.800
500000000.000 - 1000000000.000	0.800 - 500000000.000	0.850	0.850	0.850
1000000000.000 - 2000000000.000	0.850 - 1000000000.000	0.900	0.900	0.900
2000000000.000 - 5000000000.000	0.900 - 2000000000.000	0.950	0.950	0.950
5000000000.000 - 10000000000.000	0.950 - 5000000000.000	1.000	1.000	1.000
10000000000.000 - 20000000000.000	1.000 - 10000000000.000	1.050	1.050	1.050
20000000000.000 - 50000000000.000	1.050 - 20000000000.000	1.100	1.100	1.100
50000000000.000 - 100000000000.000	1.100 - 50000000000.000	1.150	1.150	1.150
100000000000.000 - 200000000000.000	1.150 - 100000000000.000	1.200	1.200	1.200
200000000000.000 - 500000000000.000	1.200 - 200000000000.000	1.250	1.250	1.250
500000000000.000 - 1000000000000.000	1.250 - 500000000000.000	1.300	1.300	1.300
1000000000000.000 - 2000000000000.000	1.300 - 1000000000000.000	1.350	1.350	1.350
2000000000000.000 - 5000000000000.000	1.350 - 2000000000000.000	1.400	1.400	1.400
5000000000000.000 - 10000000000000.000	1.400 - 5000000000000.000	1.450	1.450	1.450
10000000000000.000 - 20000000000000.000	1.450 - 10000000000000.000	1.500	1.500	1.500
20000000000000.000 - 50000000000000.000	1.500 - 20000000000000.000	1.550	1.550	1.550
50000000000000.000 - 100000000000000.000	1.550 - 50000000000000.000	1.600	1.600	1.600
100000000000000.000 - 200000000000000.000	1.600 - 100000000000000.000	1.650	1.650	1.650
200000000000000.000 - 500000000000000.000	1.650 - 200000000000000.000	1.700	1.700	1.700
500000000000000.000 - 1000000000000000.000	1.700 - 500000000000000.000	1.750	1.750	1.750
1000000000000000.000 - 2000000000000000.000	1.750 - 1000000000000000.000	1.800	1.800	1.800
2000000000000000.000 - 5000000000000000.000	1.800 - 2000000000000000.000	1.850	1.850	1.850
5000000000000000.000 - 10000000000000000.000	1.850 - 5000000000000000.000	1.900	1.900	1.900
10000000000000000.000 - 20000000000000000.000	1.900 - 10000000000000000.000	1.950	1.950	1.950
20000000000000000.000 - 50000000000000000.000	1.950 - 20000000000000000.000	2.000	2.000	2.000
50000000000000000.000 - 100000000000000000.000	2.000 - 50000000000000000.000	2.050	2.050	2.050
100000000000000000.000 - 200000000000000000.000	2.050 - 100000000000000000.000	2.100	2.100	2.100
200000000000000000.000 - 500000000000000000.000	2.100 - 200000000000000000.000	2.150	2.150	2.150
500000000000000000.000 - 1000000000000000000.000	2.150 - 500000000000000000.000	2.200	2.200	2.200
1000000000000000000.000 - 2000000000000000000.000	2.200 - 1000000000000000000.000	2.250	2.250	2.250
2000000000000000000.000 - 5000000000000000000.000	2.250 - 2000000000000000000.000	2.300	2.300	2.300
5000000000000000000.000 - 10000000000000000000.000	2.300 - 5000000000000000000.000	2.350	2.350	2.350
10000000000000000000.000 - 20000000000000000000.000	2.350 - 10000000000000000000.000	2.400	2.400	2.400
20000000000000000000.000 - 50000000000000000000.000	2.400 - 20000000000000000000.000	2.450	2.450	2.450
50000000000000000000.000 - 100000000000000000000.000	2.450 - 50000000000000000000.000	2.500	2.500	2.500
100000000000000000000.000 - 200000000000000000000.000	2.500 - 100000000000000000000.000	2.550	2.550	2.550
200000000000000000000.000 - 500000000000000000000.000	2.550 - 200000000000000000000.000	2.600	2.600	2.600
500000000000000000000.000 - 1000000000000000000000.000	2.600 - 500000000000000000000.000	2.650	2.650	2.650
1000000000000000000000.000 - 2000000000000000000000.000	2.650 - 1000000000000000000000.000	2.700	2.700	2.700
2000000000000000000000.000 - 5000000000000000000000.000	2.700 - 2000000000000000000000.000	2.750	2.750	2.750
5000000000000000000000.000 - 10000000000000000000000.000	2.750 - 5000000000000000000000.000	2.800	2.800	2.800
10000000000000000000000.000 - 20000000000000000000000.000	2.800 - 10000000000000000000000.000	2.850	2.850	2.850
20000000000000000000000.000 - 50000000000000000000000.000	2.850 - 20000000000000000000000.000	2.900	2.900	2.900
50000000000000000000000.000 - 100000000000000000000000.000	2.900 - 50000000000000000000000.000	2.950	2.950	2.950
100000000000000000000000.000 - 200000000000000000000000.000	2.950 - 100000000000000000000000.000	3.000	3.000	3.000
200000000000000000000000.000 - 500000000000000000000000.000	3.000 - 200000000000000000000000.000	3.050	3.050	3.050
500000000000000000000000.000 - 1000000000000000000000000.000	3.050 - 500000000000000000000000.000	3.100	3.100	3.100
1000000000000000000000000.000 - 2000000000000000000000000.000	3.100 - 1000000000000000000000000.000	3.150	3.150	3.150
2000000000000000000000000.000 - 5000000000000000000000000.000	3.150 - 2000000000000000000000000.000	3.200	3.200	3.200
5000000000000000000000000.000 - 10000000000000000000000000.000	3.200 - 5000000000000000000000000.000	3.250	3.250	3.250
10000000000000000000000000.000 - 20000000000000000000000000.000	3.250 - 10000000000000000000000000.000	3.300	3.300	3.300
20000000000000000000000000.000 - 50000000000000000000000000.000	3.300 - 20000000000000000000000000.000	3.350	3.350	3.350
50000000000000000000000000.000 - 100000000000000000000000000.000	3.350 - 50000000000000000000000000.000	3.400	3.400	3.400
100000000000000000000000000.000 - 200000000000000000000000000.000	3.400 - 100000000000000000000000000.000	3.450	3.450	3.450
200000000000000000000000000.000 - 500000000000000000000000000.000	3.450 - 200000000000000000000000000.000	3.500	3.500	3.500
500000000000000000000000000.000 - 1000000000000000000000000000.000	3.500 - 500000000000000000000000000.000	3.550	3.550	3.550
1000000000000000000000000000.000 - 2000000000000000000000000000.000	3.550 - 1000000000000000000000000000.000	3.600	3.600	3.600
2000000000000000000000000000.000 - 5000000000000000000000000000.000	3.600 - 2000000000000000000000000000.000	3.650	3.650	3.650
5000000000000000000000000000.000 - 10000000000000000000000000000.000	3.650 - 5000000000000000000000000000.000	3.700	3.700	3.700
10000000000000000000000000000.000 - 20000000000000000000000000000.000	3.700 - 10000000000000000000000000000.000	3.750	3.750	3.750
20000000000000000000000000000.000 - 50000000000000000000000000000.000	3.750 - 20000000000000000000000000000.000	3.800	3.800	3.800
50000000000000000000000000000.000 - 100000000000000000000000000000.000	3.800 - 50000000000000000000000000000.000	3.850	3.850	3.850
100000000000000000000000000000.000 - 200000000000000000000000000000.000	3.850 - 100000000000000000000000000000.000	3.900	3.900	3.900
200000000000000000000000000000.000 - 500000000000000000000000000000.000	3.900 - 200000000000000000000000000000.000	3.950	3.950	3.950
500000000000000000000000000000.000 - 1000000000000000000000000000000.000	3.950 - 500000000000000000000000000000.000	4.000	4.000	4.000
1000000000000000000000000000000.000 - 2000000000000000000000000000000.000	4.000 - 1000000000000000000000000000000.000	4.050	4.050	4.050
2000000000000000000000000000000.000 - 5000000000000000000000000000000.000	4.050 - 2000000000000000000000000000000.000	4.100	4.100	4.100
5000000000000000000000000000000.000 - 10000000000000000000000000000000.000	4.100 - 5000000000000000000000000000000.000	4.150	4.150	4.150
10000000000000000000000000000000.000 - 20000000000000000000000000000000.000	4.150 - 10000000000000000000000000000000.000	4.200	4.200	4.200
20000000000000000000000000000000.000 - 50000000000000000000000000000000.000				