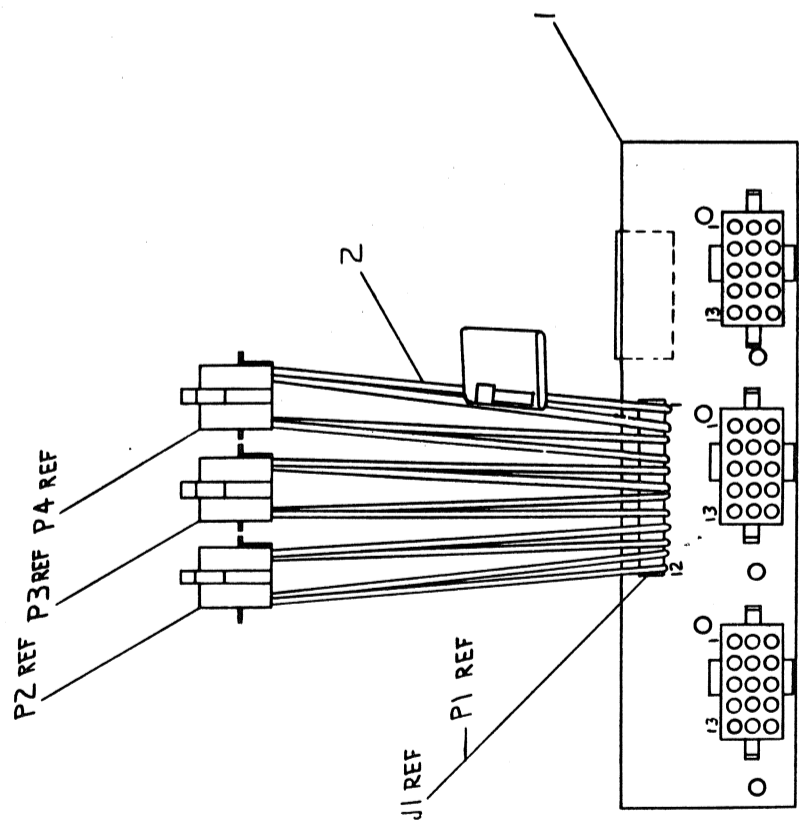


0-0-888910Z DWD 2

1 2 3 4 5 6 7 8

THIS DRAWING AND ANY INFORMATION CONTAINED HEREIN IS UNCLASSIFIED EXCEPT WHERE SHOWN OTHERWISE. IT IS THE PROPERTY OF THE AIR FORCE AND IS LOANED TO YOU. IT AND ITS CONTENTS ARE NOT TO BE DISTRIBUTED OUTSIDE YOUR AGENCY. IF YOU HAVE ANY QUESTIONS, CONTACT THE AIR FORCE AT THE ADDRESS OR PHONE NUMBER LISTED BELOW.



1	CABLE JUMPER ASSY	D-IR-7016887-00	2
1	POWER DIST BOARD	D-VA-5413632-00	1
DESCRIPTION		DWG/PART NO.	ITEM NO.
UNLESS OTHERWISE SPECIFIED DIMENSIONS ARE IN INCHES			
ANGLES OF 30°	CLAS. OF ACCURACY	DRILL TO DIAM	OVER DIA
SURFACE QUALITY	CHECK DIMS	TO 1/8	TO 1/16
IN	MEDIUM	1/8	1/16
MICROFINISHES	PREFERRED	1/16	1/32
		1/32	1/64
		1/64	1/128
		1/128	1/256
		1/256	1/512
		1/512	1/1024
		1/1024	1/2048
		1/2048	1/4096
		1/4096	1/8192
		1/8192	1/16384
		1/16384	1/32768
		1/32768	1/65536
		1/65536	1/131072
		1/131072	1/262144
		1/262144	1/524288
		1/524288	1/1048576
		1/1048576	1/2097152
		1/2097152	1/4194304
		1/4194304	1/8388608
		1/8388608	1/16777216
		1/16777216	1/33554432
		1/33554432	1/67108864
		1/67108864	1/134217728
		1/134217728	1/268435456
		1/268435456	1/536870912
		1/536870912	1/1073741824
		1/1073741824	1/2147483648
		1/2147483648	1/4294967296
		1/4294967296	1/8589934592
		1/8589934592	1/17179869184
		1/17179869184	1/34359738368
		1/34359738368	1/68719476736
		1/68719476736	1/137438953472
		1/137438953472	1/274877906944
		1/274877906944	1/549755813888
		1/549755813888	1/1099511627776
		1/1099511627776	1/2199023255552
		1/2199023255552	1/4398046511104
		1/4398046511104	1/8796093022208
		1/8796093022208	1/17592186044416
		1/17592186044416	1/35184372088832
		1/35184372088832	1/70368744177664
		1/70368744177664	1/140737488355328
		1/140737488355328	1/281474976710656
		1/281474976710656	1/562949953421312
		1/562949953421312	1/1125899906842624
		1/1125899906842624	1/2251799813685248
		1/2251799813685248	1/4503599627370496
		1/4503599627370496	1/9007199254740992
		1/9007199254740992	1/18014398509481984
		1/18014398509481984	1/36028797018963968
		1/36028797018963968	1/72057594037927936
		1/72057594037927936	1/144115188075855872
		1/144115188075855872	1/288230376151711744
		1/288230376151711744	1/576460752303423488
		1/576460752303423488	1/1152921504606846976
		1/1152921504606846976	1/2305843009213693952
		1/2305843009213693952	1/4611686018427387904
		1/4611686018427387904	1/9223372036854775808
		1/9223372036854775808	1/18446744073709551616
		1/18446744073709551616	1/36893488147419103232
		1/36893488147419103232	1/73786976294838206464
		1/73786976294838206464	1/147573952589676412928
		1/147573952589676412928	1/295147905179352825856
		1/295147905179352825856	1/590295810358705651712
		1/590295810358705651712	1/1180591620717411303424
		1/1180591620717411303424	1/2361183241434822606848
		1/2361183241434822606848	1/4722366482869645213696
		1/4722366482869645213696	1/9444732965739290427392
		1/9444732965739290427392	1/18889465931478580854784
		1/18889465931478580854784	1/37778931862957161709584
		1/37778931862957161709584	1/75557863725914323419168
		1/75557863725914323419168	1/151115727451828646838336
		1/151115727451828646838336	1/302231454903657293676672
		1/302231454903657293676672	1/604462909807314587353344
		1/604462909807314587353344	1/1208925819614629174706688
		1/1208925819614629174706688	1/2417851639229258349413376
		1/2417851639229258349413376	1/4835703278458516698826752
		1/4835703278458516698826752	1/9671406556917033397653504
		1/9671406556917033397653504	1/19342813113834066793107008
		1/19342813113834066793107008	1/38685626227668133586214016
		1/38685626227668133586214016	1/77371252455336267172428032
		1/77371252455336267172428032	1/15474250491067253434486064
		1/15474250491067253434486064	1/30948500982134506868972128
		1/30948500982134506868972128	1/61897001964269013737944256
		1/61897001964269013737944256	1/12379400392853802747588512
		1/12379400392853802747588512	1/24758800785707605495177024
		1/24758800785707605495177024	1/49517601571415210990354048
		1/49517601571415210990354048	1/99035203142830421980708096
		1/99035203142830421980708096	1/19807040628566083961416192
		1/19807040628566083961416192	1/39614081257132167922832384
		1/39614081257132167922832384	1/79228162514264335845664768
		1/79228162514264335845664768	1/158456325028528671691331328
		1/158456325028528671691331328	1/31691265005705734338266256
		1/31691265005705734338266256	1/63382530011411468676532512
		1/63382530011411468676532512	1/126765060028222937353065024
		1/126765060028222937353065024	1/253530120056445874706130048
		1/253530120056445874706130048	1/507060240112891749412260096
		1/507060240112891749412260096	1/1014120480257783498825200192
		1/1014120480257783498825200192	1/2028240960515566997650400384
		1/2028240960515566997650400384	1/4056481921031133995300800768
		1/4056481921031133995300800768	1/8112963842062267990601601536
		1/8112963842062267990601601536	1/16225927684124535812012803072
		1/16225927684124535812012803072	1/32451855368249071624025606144
		1/32451855368249071624025606144	1/64903710736498143248051212288
		1/64903710736498143248051212288	1/129807421529962864496022424576
		1/129807421529962864496022424576	1/259614843059925728992044849152
		1/259614843059925728992044849152	1/519229686119851457984089698304
		1/519229686119851457984089698304	1/1038459372397022915968179396608
		1/1038459372397022915968179396608	1/2076918744794045831936358793216
		1/2076918744794045831936358793216	1/4153837489588091663872717586432
		1/4153837489588091663872717586432	1/8307674979176183327745355172864
		1/8307674979176183327745355172864	1/1661534995835236655549070345728
		1/1661534995835236655549070345728	1/33230699916704733110898140711552
		1/33230699916704733110898140711552	1/6646139983340946622179628142304
		1/6646139983340946622179628142304	1/1329227996668189324435955628448
		1/1329227996668189324435955628448	1/2658455993336378648871911256896
		1/2658455993336378648871911256896	1/5316911986672757297743822517792
		1/5316911986672757297743822517792	1/10633823973345514595487645035584
		1/10633823973345514595487645035584	1/21267647946691029190975290071168
		1/21267647946691029190975290071168	1/42535295893382058381950580142336
		1/42535295893382058381950580142336	1/85070591786764116763901160284672
		1/85070591786764116763901160284672	1/17014118357352823352780222056944
		1/17014118357352823352780222056944	1/34028236714705646705560444113888
		1/34028236714705646705560444113888	1/68056473429411293411120888227776
		1/68056473429411293411120888227776	1/1361129468588225868222417755552
		1/1361129468588225868222417755552	1/27222589371764517364448355111104
		1/27222589371764517364448355111104	1/54445178743529034728896710222208
		1/54445178743529034728896710222208	1/10889035747105806945779342044416
		1/10889035747105806945779342044416	1/21778071494211613891557888088832
		1/21778071494211613891557888088832	1/435561429884232277831157777776
		1/43556142988423227783115777776	1/871122859768464555662315555552
		1/871122859768464555662315555552	1/1742245719536971111324631111104
		1/1742245719536971111324631111104	1/3484491439073942222649262222208
		1/3484491439073942222649262222208	1/6968982878147884445298524444416
		1/6968982878147884445298524444416	1/13937965756295768905597048888832
		1/13937965756295768905597048888832	1/2787593151259153781119409777776
		1/2787593151259153781119409777776	1/5575186302518307562238819555552
		1/5575186302518307562238819555552	1/11150372605036615124477639111104
		1/11150372605036615124477639111104	1/22300745210073230248955278222208
		1/22300745210073230248955278222208	1/44601490420146460497910556444416
		1/44601490420146460497910556444416	1/89202980840292920995821112888832
		1/89202980840292920995821112888832	1/17840596168117584191176422577776
		1/17840596168117584191176422577776	1/3568119233623516838235285155552
		1/3568119233623516838235285155552	1/71362384672470336764705703111104
		1/71362384672470336764705703111104	1/142724769344940673529141140222208
		1/142724769344940673529141140222208	1/285449538689881347058282280444416
		1/285449538689881347058282280444416	1/570899077379762694116565616888832
		1/570899077379762694116565616888832	1/1141798154759525388233113377776
		1/1141798154759525388233113377776	1/2283596309519050776466226755552
		1/2283596309519050776466226755552	1/4567192619038101552932535111104
		1/4567192619038101552932535111104	1/9134385238076203105786070222208
		1/9134385238076203105786070222208	1/182687704761524061155732140444416
		1/182687704761524061155732140444416	1/36537540952304812231144280888

THIS DRAWING AND SPECIFICATIONS, INCLUDING THE
 NAME OF THE DRAWING, DRAWING NUMBER, AND THE
 PART OR PARTS TO WHICH THE DRAWING APPLIES,
 SHALL BE THE PROPERTY OF THE DRAWING COMPANY
 AND SHALL BE KEPT IN CONFIDENCE BY THE
 DRAWING COMPANY AND THE CUSTOMER.
 © 1977 THE DRAWING COMPANY

8

7

6

5

4

3

2

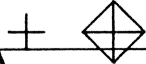
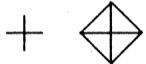
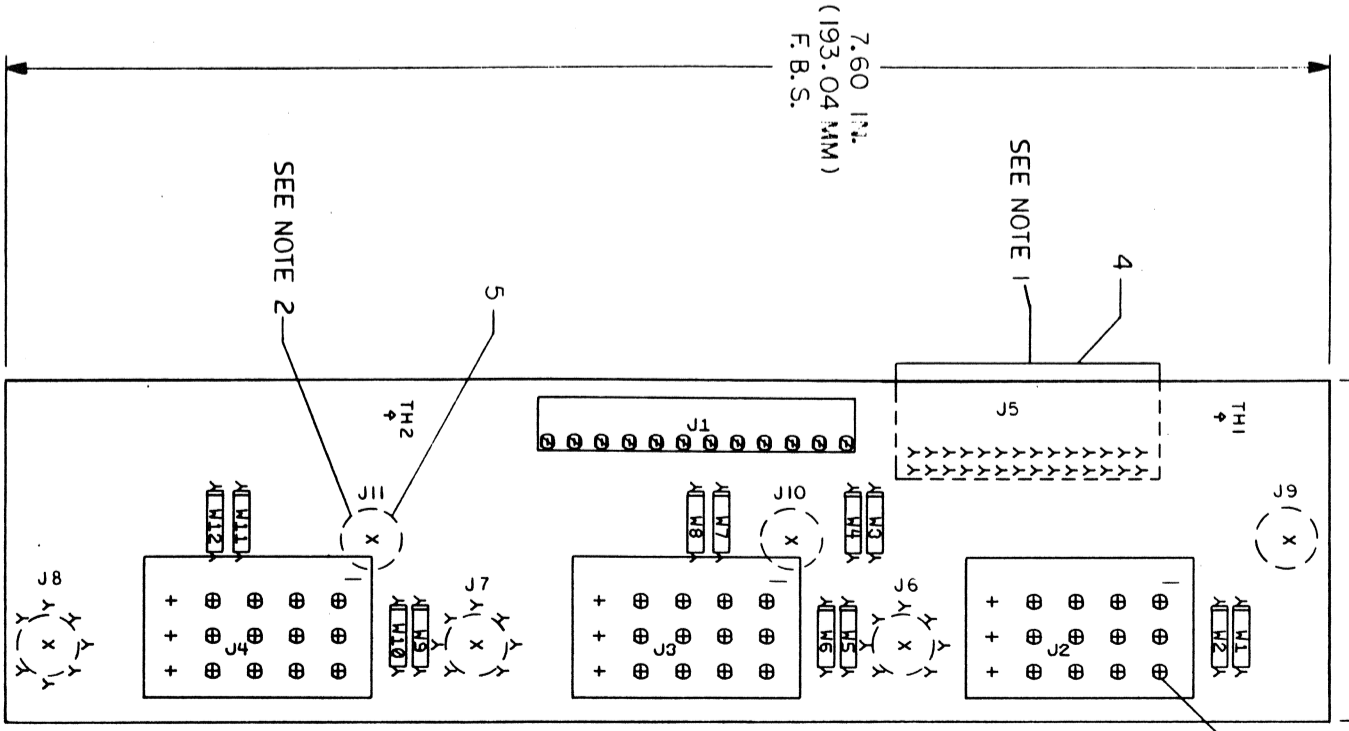
1

D 0-0-2393145 (A) D 2

COMPONENT SIDE VIEW

1.95 IN. F.B.S.
(49.53 MM)

7.60 IN.
(193.04 MM)
F.B.S.



NOTES:

1. ITEM 4 (J5) MOUNT ON SIDE 2.
2. ITEM 5 MOUNT ON SIDE 2.
- ITEM 5 MUST BE SOLDERED IN PLACE ON SIDE 2.

STEP 4 + Y AXIS 0.000 STEP 0 TIMES
 REPEAT + X AXIS 2.075 STEP 4 TIMES

CHK	CHANGE NO	REV
		0
	5413632-ML002	D

SIGNATURES	DATE
DRN. P. GARDNER	10-23-77
CHK'D. E. T. GARDNER	2-13-78
MECH. ENG. J. H. GARDNER	10-23-77
PROD. ENG. J. H. GARDNER	10-23-77
SCALE 2/1	
SHT. 1 OF 1	
NEXT HIGHER REVISION B-00-5413632-0	

SIZE	CODE	NUMBER	REV
D	UA	5413632-0-0	D

8

7

6

5

4

3

2

1

DUA 5413632-0-0 D

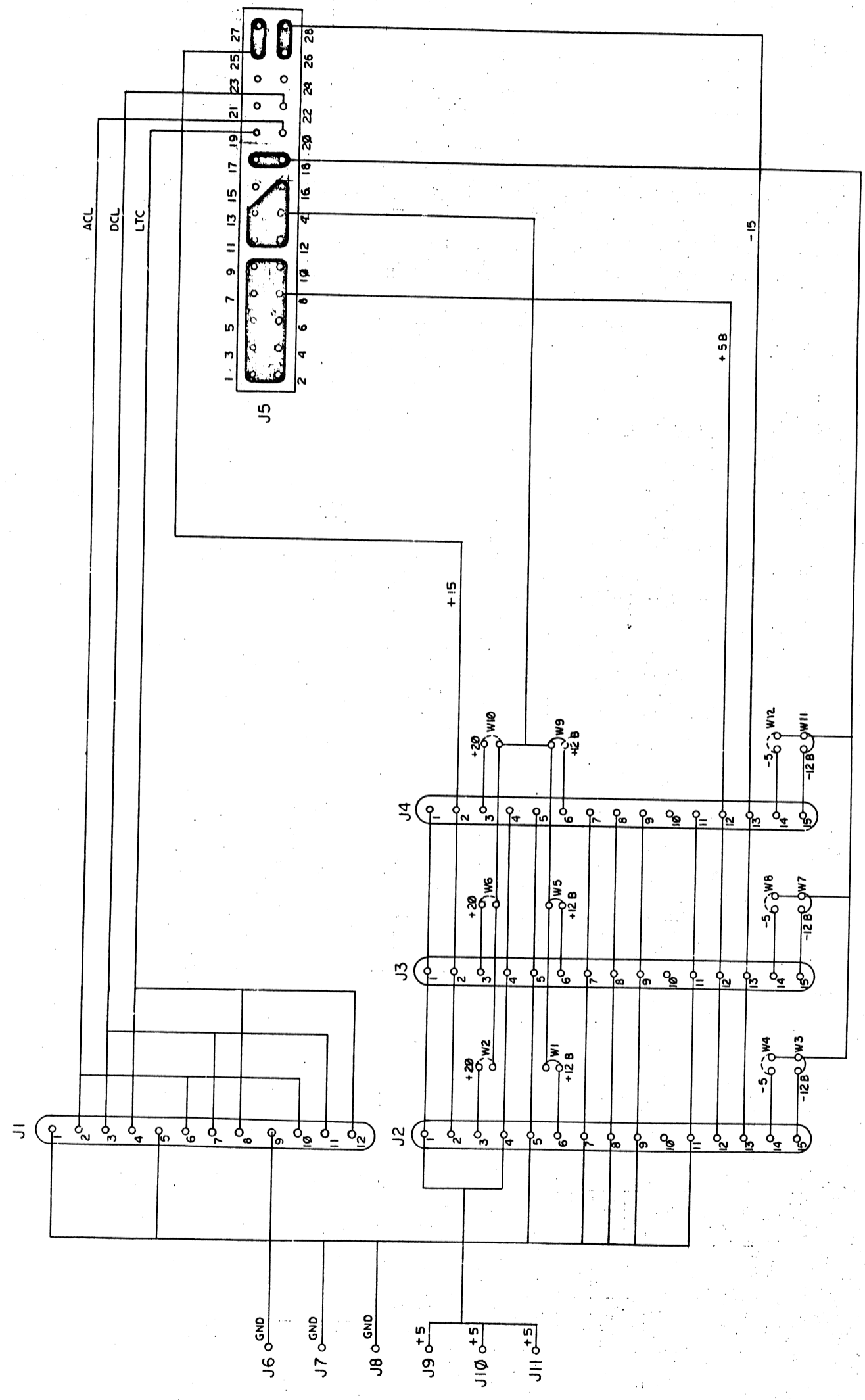
1 MS# 170017DP-1

THIS DRAWING AND SPECIFICATIONS HEREBY ARE THE PROPERTY OF DIGITAL EQUIPMENT CORPORATION AND SHALL NOT BE REPRODUCED, COPIED, EITHER WHOLLY OR IN PART, IN ANY MANNER, WITHOUT THE WRITTEN PERMISSION OF DIGITAL EQUIPMENT CORPORATION © 1973

5413632-0-1
 5413632-0-1
 5413632-0-1

1

3 4 5 6 7 8



DRN. <i>D. K. L.</i>	DESIGNED BY	DATE	REV.	BY	DATE
CHKD. <i>P. J.</i>	CHECKED BY				
ENGR. <i>D. K. L.</i>	ENGINEER				
PROD. <i>D. K. L.</i>	PRODUCED BY				
TEST. <i>D. K. L.</i>	TESTED BY				
REV. <i>D. K. L.</i>	REVISIONS				
FIRST USED ON			TITLE		
DIGITAL			BAIL-A POWER DISTRIBUTION BOARD		
SCALE	SIZE	CODE	NUMBER	REV.	
	D	CS	5413632-0-1	G	
SHEET	1	OF	1	DIST.	
	2				

REV.	CHG.	REVISIONS

12/1/73

7W

8

7

6

5

4

3

2

1

5413632-0-1

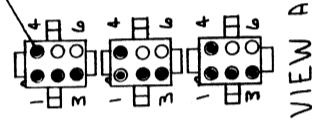
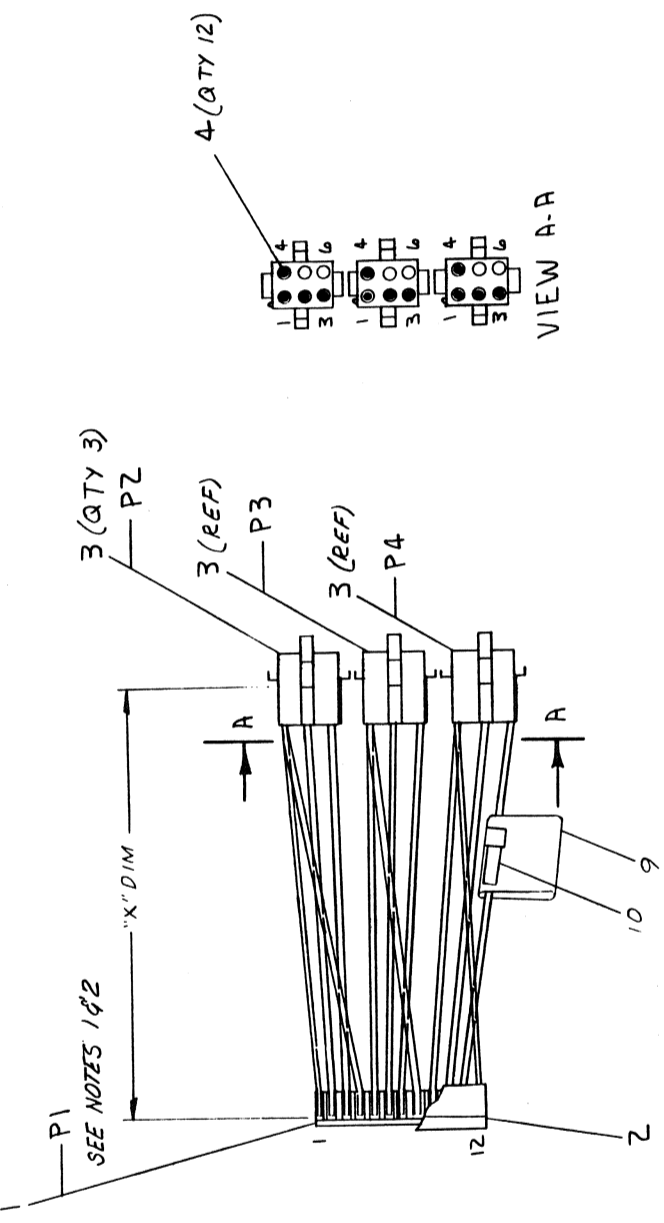
THIS DRAWING AND SPECIFICATIONS HEREBY ARE THE PROPERTY OF EAST A COMPANY CORPORATION AND SHALL NOT BE REPRODUCED OR COPIED IN ANY MANNER OR IN ANY MANNER WITHOUT WRITTEN PERMISSION. COMPANY © 1979, DIGITAL EQUIPMENT CORPORATION

WIRE TABLE					
ITEM NO	DESCRIPTION	FROM	TO	NOTES	
	AWG	COLOR	CONN TERM	CONN TERM	
5	18	BLK	P1-1	P2-1	5.00 IN ± .06
6		YEL	P1-2	P2-4	
7		VIO	P1-3	P2-3	
8		BRN	P1-4	P2-2	
5		BLK	P1-5	P3-1	5.00 IN ± .06
6		YEL	P1-6	P3-4	
7		VIO	P1-7	P3-3	
8		BRN	P1-8	P3-2	
5		BLK	P1-9	P4-1	5.00 IN ± .06
6		YEL	P1-10	P4-4	
7		VIO	P1-11	P4-3	
8	18	BRN	P1-12	P4-2	

NUMBER	LEGEND
7016887-0E	5.0 ± .5 IN

NOTES

1. WIRES TERMINATING TO P1 MUST NOT BE STRIPPED.
2. PLACE COVER, ITEM #2, OVER CONN HOUSING, ITEM #3, AFTER WIRES HAVE BEEN TERMINATED.
3. STRIP WIRES ONLY ON P2, P3, P4 ENDS .187 BEFORE CRIMPING CONTACTS.
4. ITEM #4 CAN BE SUBSTITUTED BY PIN 12-09379-00 FOR MACHINE CRIMPING.



REV.	CHANGE NO.	REV.
A	7016887-1W001	E. AMADOR

REV.	DESCRIPTION	DWG./PART NO.	ITEM NO.
10	TIE, CABLE SST-1-M	9007031-00	10
9	LABEL, CABLE IDENTIFICATION	9009532-00	9
8	15" WIRE, 18 AWG, BRN, UL 1430	9107786-11	8
7	15" WIRE, 18 AWG, VID, UL 1430	9107786-11	7
6	15" WIRE, 18 AWG, YEL, UL 1430	9107786-44	6
5	15" WIRE, 18 AWG, BLK, UL 1430	9107786-00	5
4	12 SKT, MATE-N-LOK, 20-AWG	1209379-D1	4
3	CONN, 6 PIN MATE-N-LOK	1209350-06	3
2	COVER, 12 PIN MATE-N-LOK	1216650-00	2
1	CONN, HOUSING 12 POS MTR	1216651-00	1

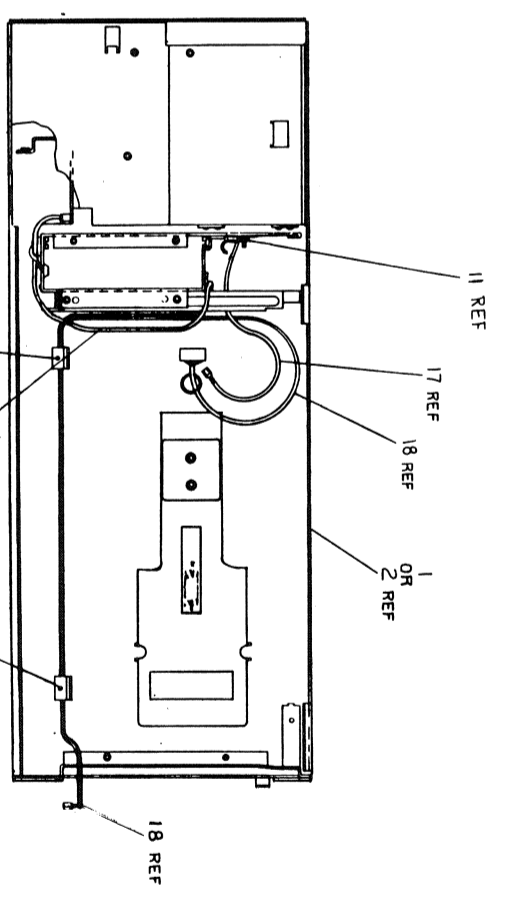
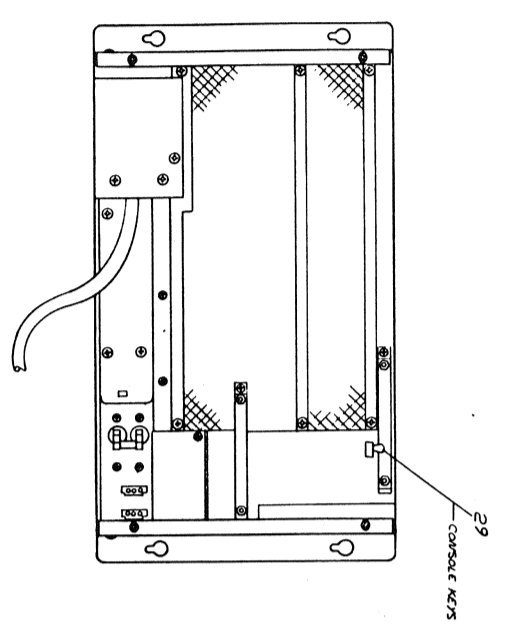
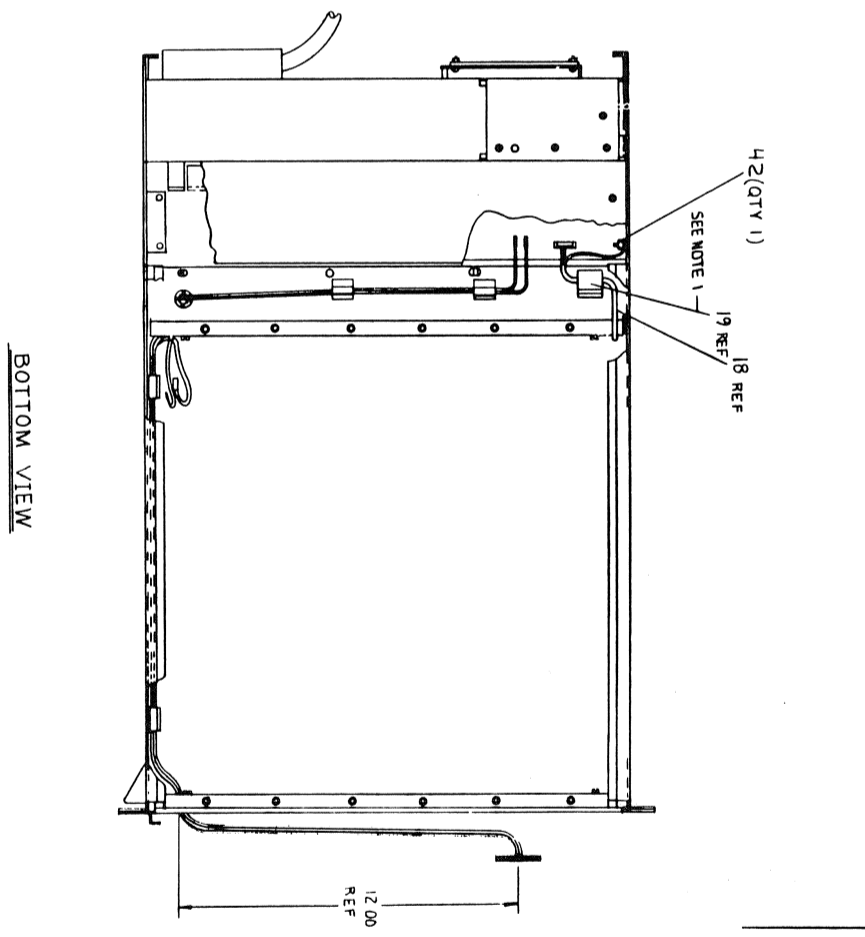
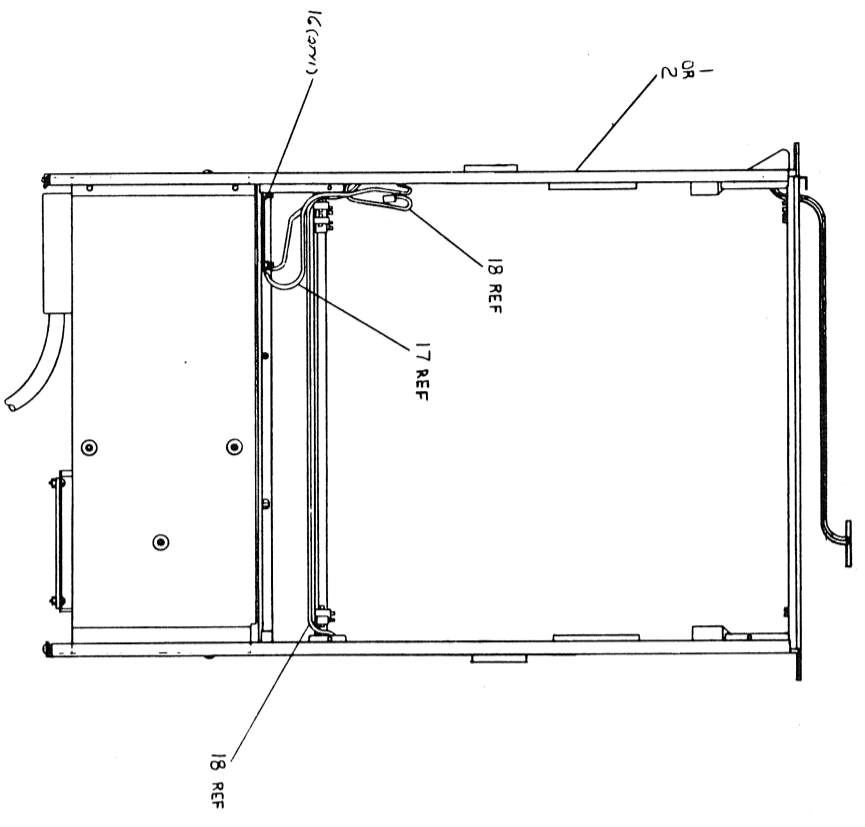
ANGLES	CLASS OF ACCURACY	CHECK ONE	NOMINAL DIMENSION RANGE IN INCHES
30°	AS	<input type="checkbox"/>	0.125 - 1.250
45°	AS	<input type="checkbox"/>	1.250 - 2.500
60°	AS	<input type="checkbox"/>	2.500 - 3.750
90°	AS	<input type="checkbox"/>	3.750 - 5.000
120°	AS	<input type="checkbox"/>	5.000 - 7.500
150°	AS	<input type="checkbox"/>	7.500 - 10.000
180°	AS	<input type="checkbox"/>	10.000 - 15.000
225°	AS	<input type="checkbox"/>	15.000 - 25.000
270°	AS	<input type="checkbox"/>	25.000 - 50.000

DRN. J. E. S. 12/80/17	CHKD. J. E. S. 12/80/17	FIRST USED ON	BALL-A digital
ENG. R. B. 12/80/17	PROJ. ENG. R. B. 12/80/17	TITLE	CABLE JUMPER ASSEMBLY
PROD. J. E. S. 12/80/17	SCALE 1/1	SIZE	D AD 7016887-0-0
REV. A	REV. A	NUMBER	7016887-0-0
REV. A	REV. A	DIST.	1

1 2 3 4 5 6 7 8

1 2 3 4 5 6 7 8

THIS SHEET IS THE PROPERTY OF THE U.S. GOVERNMENT AND IS LOANED TO YOUR ORGANIZATION. IT AND ITS CONTENTS ARE NOT TO BE DISTRIBUTED OUTSIDE YOUR ORGANIZATION.



THIS SHEET COVERS FX, FY, XX & XY ONLY

NOTES
1. LOCATE APPROX RS SHOWN.

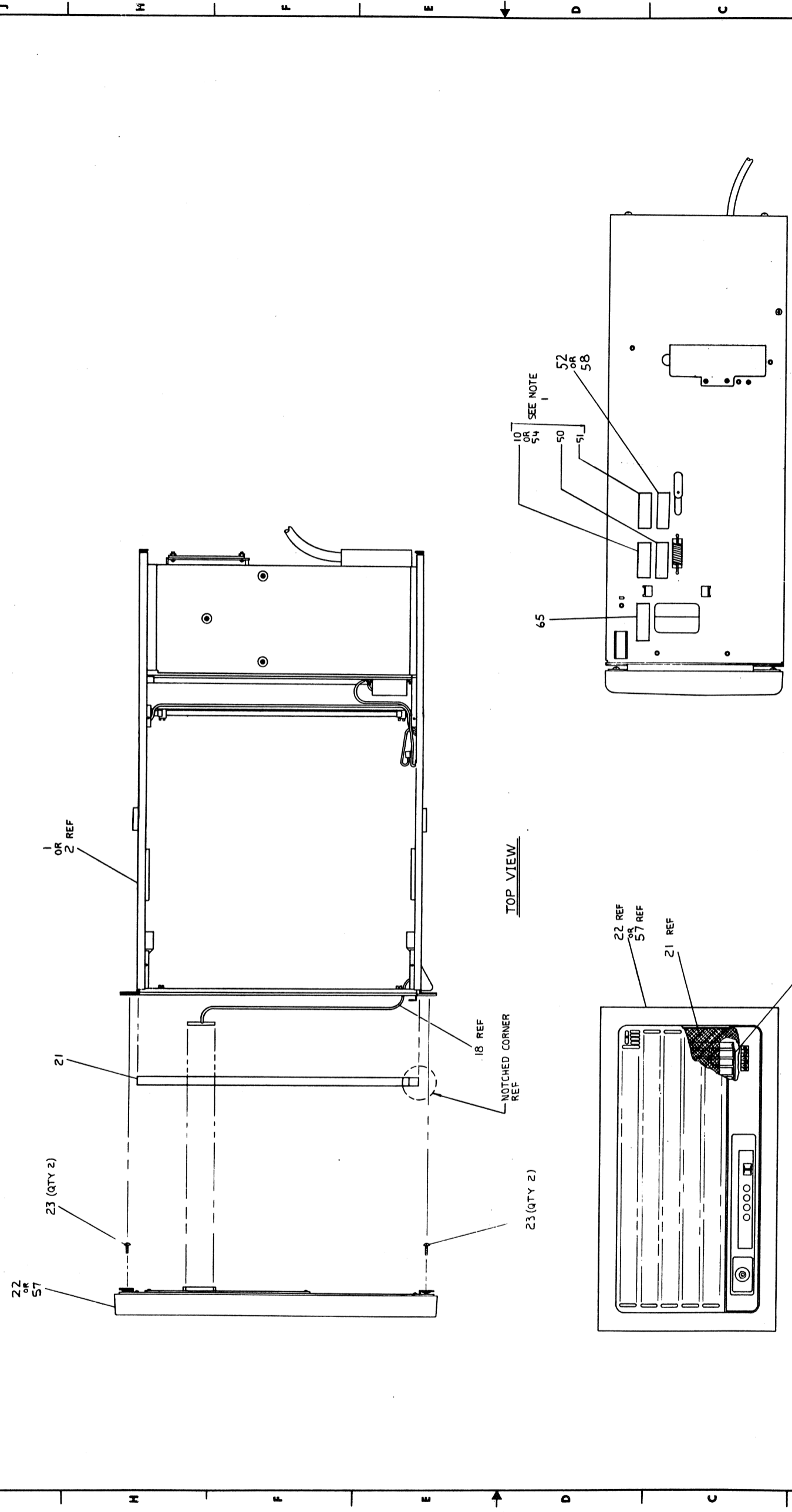
SEE K-PL-1144-0-DBP
FOR PARTS LIST

REV	DATE	BY	CHKD	DESCRIPTION
1	11/44	J. NAGLE		1/44 UNIT
2	11/44	F. CROCKER		1/44 UNIT
3	11/44	M. O'RIORDAN		1/44 UNIT
4	11/44	F. CERASKIS		1/44 UNIT

REV	DATE	BY	CHKD	DESCRIPTION
1	11/44	J. NAGLE		1/44 UNIT
2	11/44	F. CROCKER		1/44 UNIT
3	11/44	M. O'RIORDAN		1/44 UNIT
4	11/44	F. CERASKIS		1/44 UNIT

THIS SHEET IS A PART OF THE 11/44 UNIT ASSY. DRAWING NO. 1144-0-0. IT IS NOT TO BE USED SEPARATELY FROM THE OTHER SHEETS OF THIS SET.

NOTE
1. IF ITEM NO. 54 IS NOT AVAILABLE USE
P/N FOR ITEM 10, 50, 51



TOP VIEW

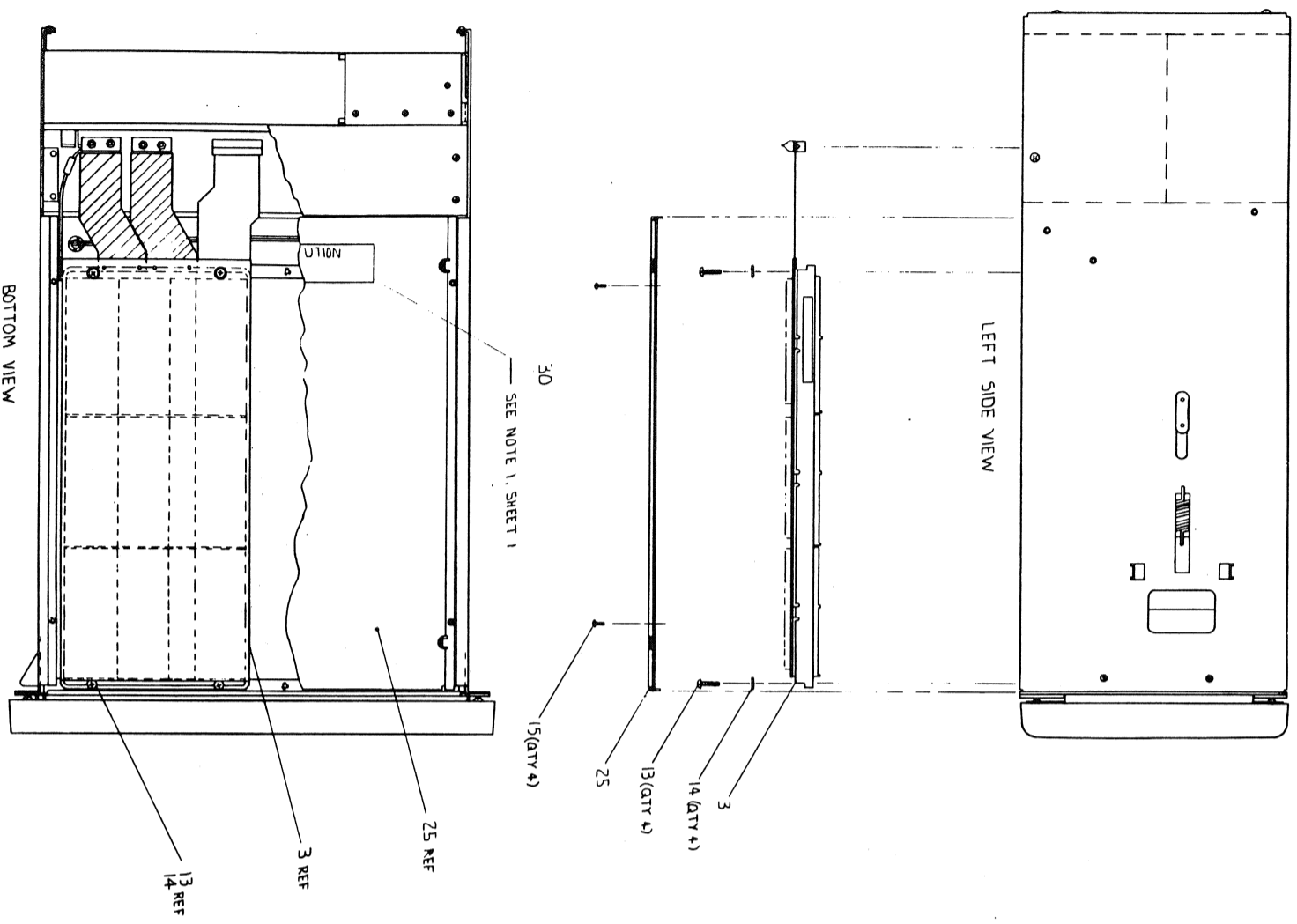
FRONT VIEW

RIGHT SIDE VIEW

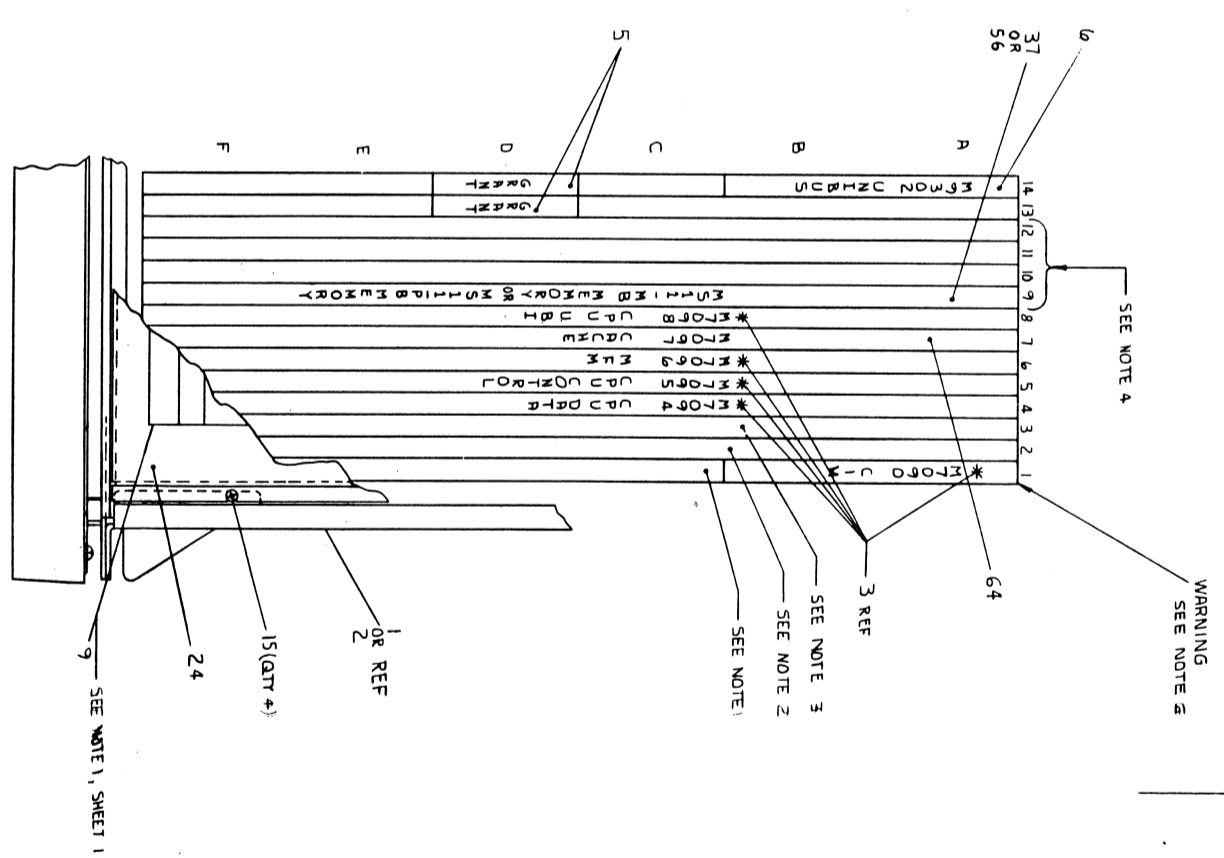
THIS SHEET COVERS FX& FY, XX& XY ONLY

REV	DATE	BY	CHKD	APP'D
1				
11/44 UNIT ASSY.				
EUA 1144-0-0				
PAGE 1/2				

THIS SHEET IS A PART OF THE DRAWING FOR THE 11/44 UNIT ASSEMBLY. IT IS NOT TO BE USED SEPARATELY FROM THE DRAWING.



THIS SHEET COVERS FX & FY, XX & XY ONLY



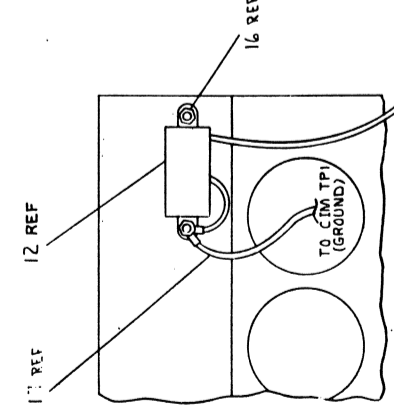
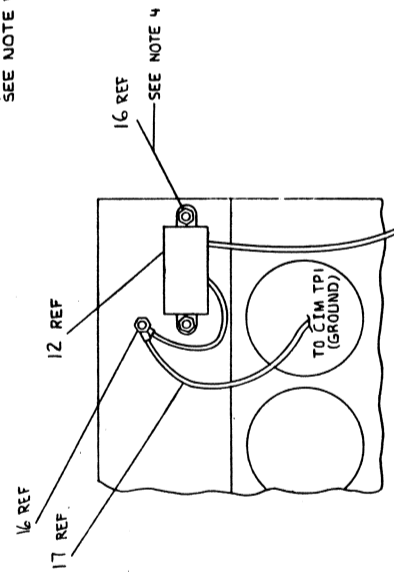
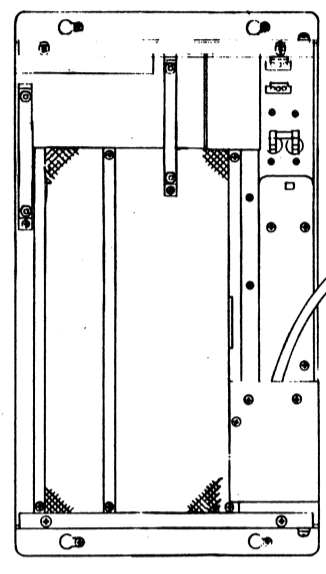
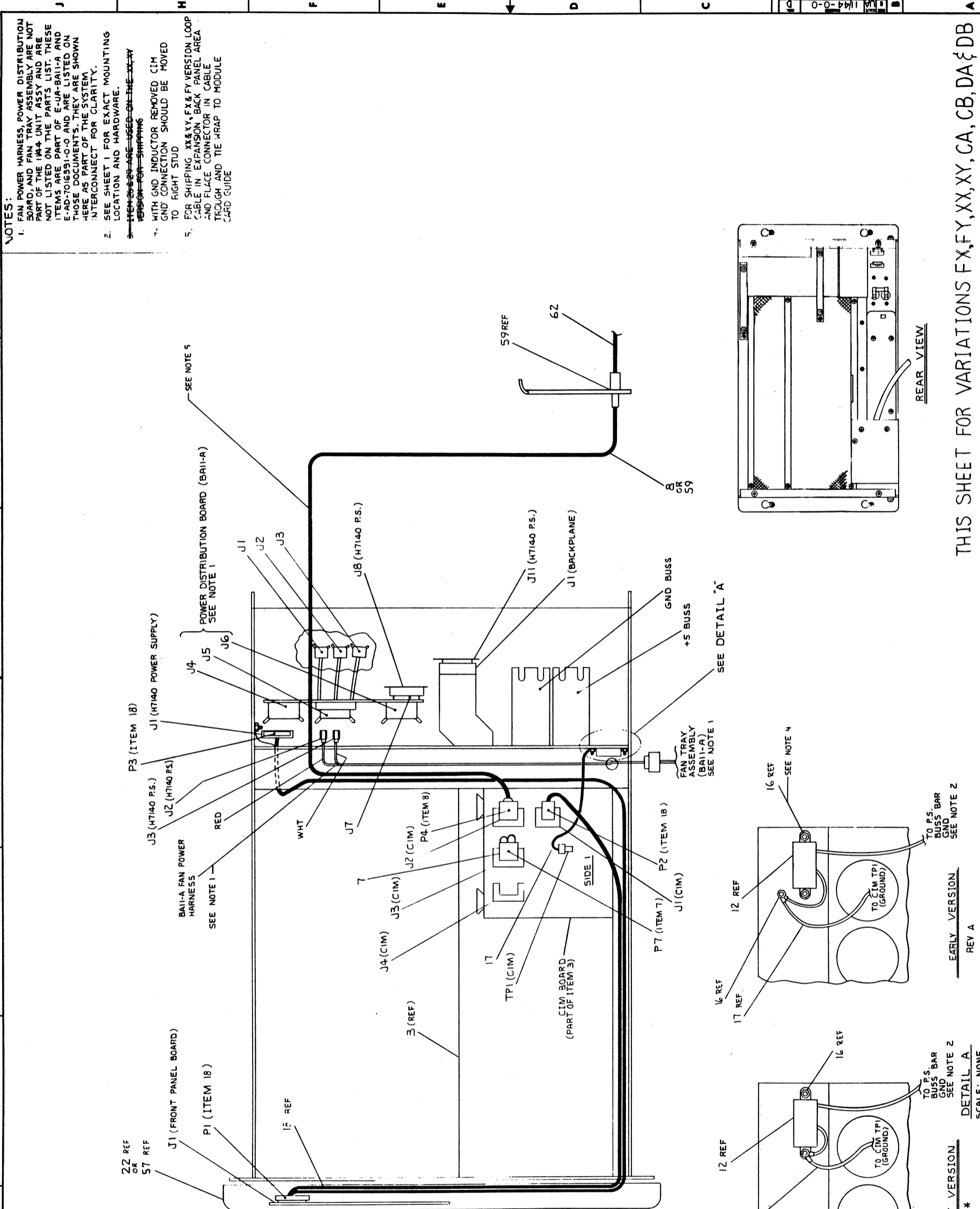
MODULE UTILIZATION
SCALE 1:1
SEE NOTE 5

- NOTES:
- * DESIGNATES STANDARD KDI-Z (ITEM 3) BOARD.
 - 1. SLOT 1C-IF FOR OPTION BOARD M7091.
 - 2. SLOT 2A-2F FOR OPTION BOARD M7092.
 - 3. SLOT 3A-3F FOR OPTION BOARD M7093.
 - 4. SLOTS 9-12 ARE USED FOR MEMORY BOARDS.
 - 5. THIS M.U. COVERS XX, XY, YX, CB, DA, DB, FXY VARIATIONS. USE MULTILAYER EXTENDER BOARDS IN SLOTS 1A & 1B. DO NOT DOUBLE STACKED EXTENDER BOARD.
 - 6. CAUTION: DO NOT USE MULTILAYER EXTENDER BOARDS IN SLOTS 1A & 1B. DO NOT DOUBLE STACKED EXTENDER BOARD.

REV.	DATE	BY	CHKD.
1			
2			
3			
4			
5			
6			
7			
8			

11/44 UNIT ASSEMBLY
SCALE 1:1
11/44-0-0
D

THIS DRAWING AND ASSOCIATED PARTS, MATERIALS, AND EQUIPMENT ARE UNCLASSIFIED AND PUBLIC RELEASE IS AUTHORIZED EXCEPT WHERE SHOWN OTHERWISE.



- NOTES:**
1. FAN POWER HARNESS, POWER DISTRIBUTION BOARD, AND FAN TRAY ASSEMBLY ARE NOT PART OF THE 11/24 UNIT ASSY AND ARE NOT LISTED ON THE PARTS LIST. THESE ITEMS ARE PART OF E-JA-B11-A AND E-AD-7016391-0-0 AND ARE LISTED ON THOSE DOCUMENTS. THEY ARE SHOWN HERE AS PART OF THE SYSTEM. INTERCONNECT FOR CLARITY.
 2. SEE SHEET 1 FOR EXACT MOUNTING LOCATION AND HARDWARE.
 - ~~3. ITEMS 25-29 ARE USED ON THE XXYY VERSION FOR SHIPPING.~~
 4. WITH GND INDUCTOR REMOVED CIM GND CONNECTION SHOULD BE MOVED TO RIGHT STUD.
 5. FOR SHIPPING, XX & YY, FX & FY VERSION LOOP CABLE IN EXPANSION BACK PANEL AREA AND PLACE CONNECTOR IN CABLE TROUGH AND TIE WRAP TO MODULE CARD GUIDE.

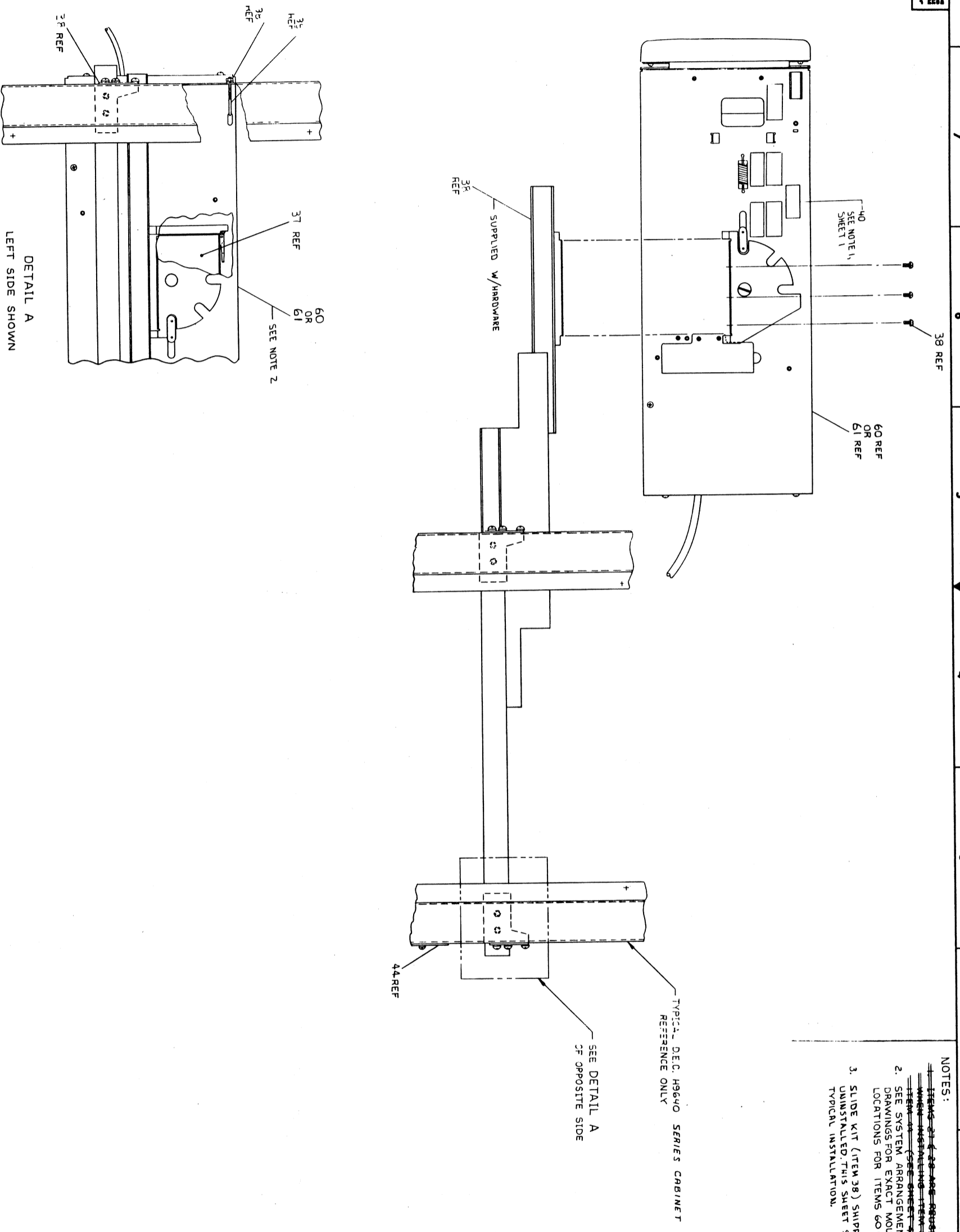
THIS SHEET FOR VARIATIONS FX, FY, XX, XY, CA, CB, DA, & DB

EARLY VERSION
REV A

EARLY VERSION
REV *
DETAIL A
SCALE: NONE

REV	DESCRIPTION	DATE
1	11/24 UNIT ASSY	11/44-0-0
2		
3		
4		
5		
6		
7		
8		

THIS DRAWING IS THE PROPERTY OF THE COMPANY AND IS NOT TO BE REPRODUCED OR TRANSMITTED IN ANY FORM OR BY ANY MEANS, ELECTRONIC OR MECHANICAL, INCLUDING PHOTOCOPYING, RECORDING, OR BY ANY INFORMATION STORAGE AND RETRIEVAL SYSTEM, WITHOUT THE WRITTEN PERMISSION OF THE COMPANY.



THIS SHEET FOR FX,FY,CA,CB,DA & DB VARIATION ONLY

- NOTES:
1. ~~SEE SHEET 1, SHEET 1~~
 2. SEE SYSTEM ARRANGEMENT DRAWINGS FOR EXACT MOUNTING LOCATIONS FOR ITEMS 60 OR 61
 3. SLIDE KIT (ITEM 38) SHIPPED UNINSTALLED. THIS SHEET SHOWS TYPICAL INSTALLATION.

TITLE	1/44 UNIT ASSY	REV.	0
SCALE	1/2	SHEET	5 OF 5
DATE	1/44-0-0	BY	D

1/44-0-0

LINE ITEM	DOCUMENT NUMBER	PART NUMBER	DESCRIPTION	QUANTITY PER VARIATION												
				XX	XY	CA	CB	UA	UB	DA	DB	FX	FY			
1	E-UA-2A11-A-0	OB11-AA	10.5"BOX,H7140-AA PS,120V LINE C	1	-	-	-	-	-	-	-	-	-	-	-	-
2	E-UA-2A11-A-0	OB11-BB	HEX BOARD EXPANSTION BOX W PS & S	1	1	-	-	-	-	-	-	-	-	-	-	-
3	B-DD-KD11-Z-0	OKD11-Z	16 BIT PROCESSOR FOR 11/44: M709	1	1	-	-	-	-	-	-	-	-	-	-	-
4	B-DD-KD11-B-0	OKD11-B	*** THIS ITEM IS NOT USED ***	-	-	-	-	-	-	-	-	-	-	-	-	-
5	D-UA-G727-0-1	OG727-00	SHORTS DD11 W/O PERIPH CONT	2	2	-	-	-	-	-	-	-	-	-	-	-
6	D-UA-M9302-0-1	M9302-00	UNIBUS TERMINATOR	1	1	-	-	-	-	-	-	-	-	-	-	-
7	C-IA-7422428-0-0	7422428-00	LOOP BACK CONN.	1	1	-	-	-	-	-	-	-	-	-	-	-
8	D-IA-BC44A-1-0	BC44A-10	EIA RS232 FILTERED CABLE ASSY. (1	1	-	-	-	-	-	-	-	-	-	-	-
9	A-DC-3616928-0-0	3616928-00	LABEL,MODULE UTILIZATION 11/44	1	1	-	-	-	-	-	-	-	-	-	-	-
10	A-DC-3615180-0-0	3615180-00	/REPLACED BY 36-17674-00	A/R	A/R	-	-	-	-	-	-	-	-	-	-	-
11	BLANK		*** THIS ITEM IS NOT USED ***	-	-	-	-	-	-	-	-	-	-	-	-	-
12	BLANK		*** THIS ITEM IS NOT USED ***	-	-	-	-	-	-	-	-	-	-	-	-	-
13		9007846-01	SCREW,MACH PAN PHIL	4	4	-	-	-	-	-	-	-	-	-	-	-
14		9008072-00	WASHER,LOCK EXTERNAL STEEL	4	4	-	-	-	-	-	-	-	-	-	-	-
15		9009701-00	SCREW,SEMS PAN PHIL	8	8	-	-	-	-	-	-	-	-	-	-	-
16		9006563-00	NUT,HEX EXT TOOTH LCKWSHR	1	1	-	-	-	-	-	-	-	-	-	-	-
17	B-IA-7422393-0-0	7422393-00	WIRE ASSY	1	1	-	-	-	-	-	-	-	-	-	-	-
18	D-AD-7016487-0-0	7016487-00	CIM CABLE ASSY	1	1	-	-	-	-	-	-	-	-	-	-	-
19	BLANK		CLIP, HARNESS ADH MNT ACCOM	3	3	-	-	-	-	-	-	-	-	-	-	-
20		1216271-00	*** THIS ITEM IS NOT USED ***	-	-	-	-	-	-	-	-	-	-	-	-	-
21		7016501-00	FILTER,AIR FOAM	1	1	-	-	-	-	-	-	-	-	-	-	-
22	E-AD-7016501-0-0	7016501-00	CONSOLE,BEZEL ASSY	1	1	-	-	-	-	-	-	-	-	-	-	-
23		9006073-03	SCREW,MACH TRUSS PHIL	4	4	-	-	-	-	-	-	-	-	-	-	-
24	D-MD-7421614-0-0	7421614-00	TOP COVER	1	1	-	-	-	-	-	-	-	-	-	-	-
25	D-AD-7016479-0-0	7016479-00	BOTTOM COVER ASSY.	1	1	-	-	-	-	-	-	-	-	-	-	-
26	BLANK		*** THIS ITEM IS NOT USED ***	-	-	-	-	-	-	-	-	-	-	-	-	-
27	BLANK		*** THIS ITEM IS NOT USED ***	-	-	-	-	-	-	-	-	-	-	-	-	-
28	BLANK		*** THIS ITEM IS NOT USED ***	-	-	-	-	-	-	-	-	-	-	-	-	-
29		9007032-00	TIE,CABLE BUNDL.DIA 0-1-3/4"=101	1	1	-	-	-	-	-	-	-	-	-	-	-
30	A-PS-3615087-02-0	3615087-02	LABEL,"DANGER-HIGH CURRENT"	1	1	-	-	-	-	-	-	-	-	-	-	-

REVISION HISTORY	ECO NUMBER	REV	SECTION A OF A	SECTION B	SECTION C	SECTION D	SECTION E	SECTION F	DATE	DRN	CHK'D	DES.ENG.	RESP.ENG.	MFG.ENG.	ASSEMBLY NUMBER	TOP DOCUMENT NUMBER	FILE NAME	EDIT
INITIAL	11/44-TM004	B							16-MAR-82	J. CASEY	T. MCCULLOUGH	E. CROCKER	E. CROCKER	J. GALLANT	E-UA-11/44-0-0	B-DD-11/44-0-0	Z4228E.PLS	3
	11/44-ML005	C							16-MAR-82									
	11/44-ML006	D							16-MAR-82									
		E							16-MAR-82									

"THIS DRAWING AND SPECIFICATIONS HEREIN, ARE THE PROPERTY OF DIGITAL EQUIPMENT CORPORATION AND SHALL NOT BE REPRODUCED OR COPIED OR USED IN WHOLE OR IN PART AS THE BASIS FOR THE MANUFACTURE OR SALE OF ITEMS WITHOUT WRITTEN PERMISSION. COPYRIGHT (C) 1983. DIGITAL EQUIPMENT CORPORATION"

AUTOMATED BY PRL1ST.3P(44)

PARTS LIST

SHEET A2 OF A2

LINE	ITEM	DOCUMENT NUMBER	PART NUMBER	DESCRIPTION	QUANTITY	PER VARIATION	CA	CB	UA	UB	DA	DB	FX	FY
31				*** THIS ITEM IS NOT USED ***	-	-	-	-	-	-	-	-	-	-
32				*** THIS ITEM IS NOT USED ***	-	-	-	-	-	-	-	-	-	-
33				*** THIS ITEM IS NOT USED ***	-	-	-	-	-	-	-	-	-	-
34				*** THIS ITEM IS NOT USED ***	-	-	-	-	-	-	-	-	-	-
35				*** THIS ITEM IS NOT USED ***	-	-	-	-	-	-	-	-	-	-
36				*** THIS ITEM IS NOT USED ***	-	-	-	-	-	-	-	-	-	-
37				*** THIS ITEM IS NOT USED ***	-	-	-	-	-	-	-	-	-	-
38				*** THIS ITEM IS NOT USED ***	-	-	-	-	-	-	-	-	-	-
39				*** THIS ITEM IS NOT USED ***	-	-	-	-	-	-	-	-	-	-
40				*** THIS ITEM IS NOT USED ***	-	-	-	-	-	-	-	-	-	-
41				*** THIS ITEM IS NOT USED ***	-	-	-	-	-	-	-	-	-	-
42				*** THIS ITEM IS NOT USED ***	-	-	-	-	-	-	-	-	-	-
43				*** THIS ITEM IS NOT USED ***	-	-	-	-	-	-	-	-	-	-
44				*** THIS ITEM IS NOT USED ***	-	-	-	-	-	-	-	-	-	-
45				*** THIS ITEM IS NOT USED ***	-	-	-	-	-	-	-	-	-	-
46				*** THIS ITEM IS NOT USED ***	-	-	-	-	-	-	-	-	-	-
47				*** THIS ITEM IS NOT USED ***	-	-	-	-	-	-	-	-	-	-
48				*** THIS ITEM IS NOT USED ***	-	-	-	-	-	-	-	-	-	-
49				*** THIS ITEM IS NOT USED ***	-	-	-	-	-	-	-	-	-	-
50				*** THIS ITEM IS NOT USED ***	-	-	-	-	-	-	-	-	-	-
51				*** THIS ITEM IS NOT USED ***	-	-	-	-	-	-	-	-	-	-
52				*** THIS ITEM IS NOT USED ***	-	-	-	-	-	-	-	-	-	-
53				*** THIS ITEM IS NOT USED ***	-	-	-	-	-	-	-	-	-	-
54				*** THIS ITEM IS NOT USED ***	-	-	-	-	-	-	-	-	-	-
55				*** THIS ITEM IS NOT USED ***	-	-	-	-	-	-	-	-	-	-
56				*** THIS ITEM IS NOT USED ***	-	-	-	-	-	-	-	-	-	-
57				*** THIS ITEM IS NOT USED ***	-	-	-	-	-	-	-	-	-	-
58				*** THIS ITEM IS NOT USED ***	-	-	-	-	-	-	-	-	-	-
59				*** THIS ITEM IS NOT USED ***	-	-	-	-	-	-	-	-	-	-
60				*** THIS ITEM IS NOT USED ***	-	-	-	-	-	-	-	-	-	-
61				*** THIS ITEM IS NOT USED ***	-	-	-	-	-	-	-	-	-	-
62				*** THIS ITEM IS NOT USED ***	-	-	-	-	-	-	-	-	-	-
63				*** THIS ITEM IS NOT USED ***	-	-	-	-	-	-	-	-	-	-
64				*** THIS ITEM IS NOT USED ***	-	-	-	-	-	-	-	-	-	-
65				*** THIS ITEM IS NOT USED ***	-	-	-	-	-	-	-	-	-	-

66 NOTE: MR11-EB ROMS ARE TO BE SHIPPED LOOSE PIECE W/SYSTEM AND TO BE INSTALLED BY FIELD SERVICE AS NEEDED.

D	I	G	I	T	A	L	TITLE	SECTION	A	OF	A	SIZE	CODE	DOCUMENT	NUMBER	REV
YGRK	HR	G3					11/44 UNIT ASSY					K	PL	11/44-0-DBP		E

DIGITAL EQUIPMENT CORPORATION PARTS LIST

MADE BY Liz Hevesh	CHECKED <i>PHS</i>	SECTION	
DATE 11 June 79	DATE 8/17/79	ISSUED SECTION	
ENG <i>Rug</i>	PROD <i>8/17/79</i>		
DATE 8-17-79	DATE <i>8/17/79</i>		

ITEM NO.	DRAWING NO.	PART NO.	DESCRIPTION
1	EK- 11044-UG-001		11/44 System User Guide
2	MP00742		MS11-H Print Set
3	EK-MS11M-UG-001		MS11-MB 256KB ECC MOS Memory
4	MP00809		11/44 Basic Print Set
5	ZJ014-FR		11/44 Basic CPU Kit (FICHE)
6	ZJ014 -PB		11/44 BASIC CPU KIT (PAPER TAPE)
7		MP00810	FP11-F PRINT SET
8	A-SP-3700389-0-0		INSTR. PKG. KIT
9		9906228-00	ROM BOX
10	MP01477		MS11-P PRINT SET

NOTES:

QUANTITY / VARIATION		REF DESIGNATION
11/44-CA	1	
11/44-CB	1	
11/44-DA	1	
11/44-DB	1	

E.C.O. NO. 1144-1	11-44	TWO03	11/44	TW004	11/44	MLO05
"THIS DRAWING AND SPECIFICATIONS, HEREIN, ARE THE PROPERTY OF DIGITAL EQUIPMENT CORPORATION AND SHALL NOT BE REPRODUCED OR COPIED OR USED IN WHOLE OR IN PART AS THE BASIS FOR THE MANUFACTURE OR SALE OF ITEMS WITHOUT WRITTEN PERMISSION. COPYRIGHT © 1979 DIGITAL EQUIPMENT CORPORATION"						
TITLE Shipping List			ASSY NO. E-UA-11/44-0-0 SHEET 1 OF 1			
SIZE B PL			CODE PL NUMBER 11/44-0-4 REV D			