



X 0-0-209E1F5 VI Q  
ASB URM/MS

8 6 5 4 3 2 1

THIS DRAWING AND SPECIFICATIONS HEREIN ARE THE PROPERTY OF DIGITAL EQUIPMENT CORPORATION AND ARE NOT TO BE REPRODUCED, COPIED, OR TRANSMITTED IN ANY FORM OR BY ANY MEANS, ELECTRONIC OR MECHANICAL, INCLUDING PHOTOCOPYING, RECORDING, OR BY ANY INFORMATION STORAGE AND RETRIEVAL SYSTEM, WITHOUT THE WRITTEN PERMISSION OF DIGITAL EQUIPMENT CORPORATION.  
COPYRIGHT © 1980 DIGITAL EQUIPMENT CORPORATION

REWORK INSTRUCTION

WIRE ADD SIDE 1  
0-1 FROM R18 (WRAP WIRE AROUND COMPONENT LEAD) TO Q3 CATHODE (GND) (USE ITEM 144)

REWORK INSTRUCTION

ECO # 9  
COMPONENT DELETE SIDE 1  
9-1 DELETE F2 DEC P/N 12-05747-00  
COMPONENT ADD SIDE 1  
9-2 ADD F2 DEC P/N 12-10929-09

REWORK INSTRUCTIONS

ECO # 10  
COMPONENT DELETES SIDE 1  
10-1 DELETE C1, DEC P/N 1001610-01  
10-2 DELETE D4, D6, DEC P/N 1110491-01  
10-3 DELETE R36, DEC P/N 1300171-00  
COMPONENT ADDS SIDE 1  
10-4 ADD C1, DEC P/N 1012784-00  
10-5 ADD D4, D6, DEC P/N 1116645-03  
10-6 ADD R36, DEC P/N 1316575-00  
10-7 ADD D40, DEC P/N 1114893-00 ACROSS R36 CATHODE TO END NEAR Q7.

REWORK INSTRUCTIONS

ECO # 13  
COMPONENT ADD SIDE 1  
13-1 ADD C43 DEC P/N 1001610-01 FROM E2-2 TO E2-4 (GROUND)  
13-2 ADD C44 DEC P/N 1001610-01 FROM E4-2 TO E4-4 (GROUND)

REVISION HISTORY  
DATE ECO NUMBER REV

--	--	--

TITLE  
MEMORY REGULATOR

SIZE	DOOR	DOCUMENT NUMBER	REV.
D	UA	5413607-0-0	K
SCALE		SHEET 2	OF 2

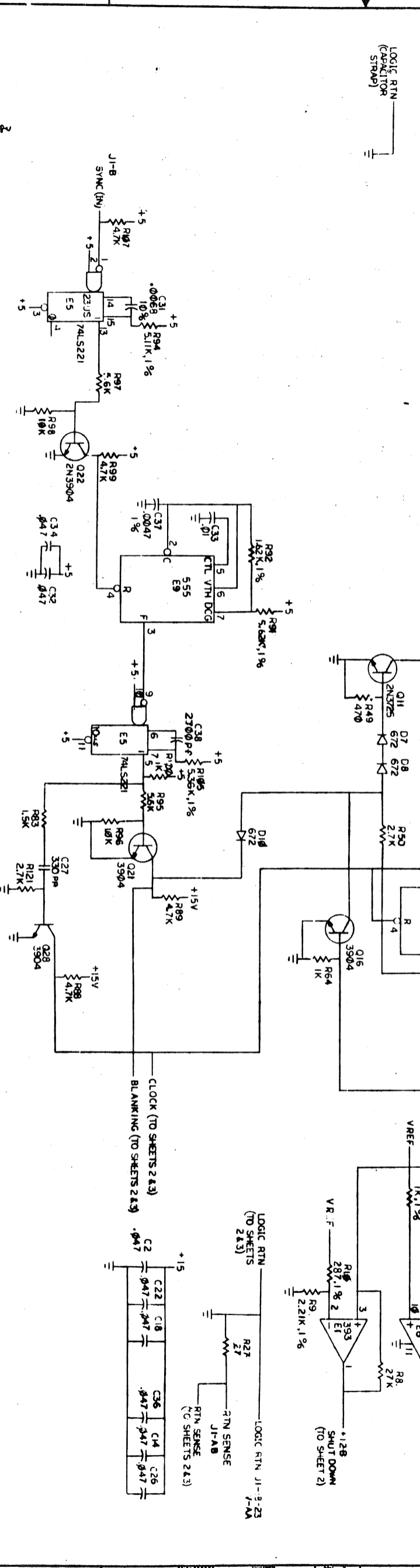
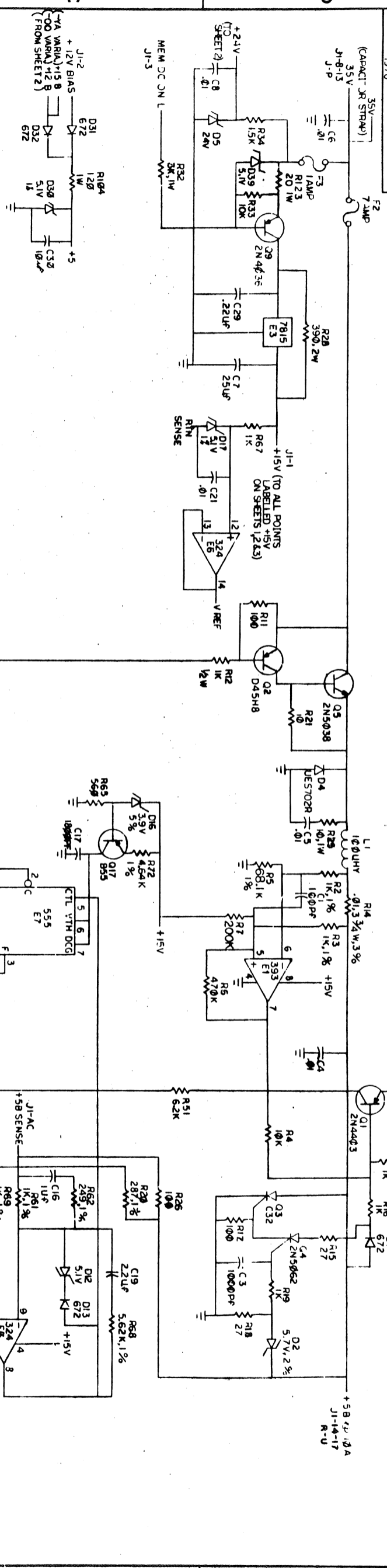
8 7 6 5 4 3 2 1

7W

DIGITAL EQUIPMENT CORPORATION  
5413607-0-0  
REV. K

THIS DRAWING AND SPECIFICATION, HEREIN AND THE ATTACHED SCHEDULES, DRAWINGS AND SPECIFICATIONS, SHALL BE THE PROPERTY OF THE GOVERNMENT CONTRACTOR AND SHALL BE KEPT AT THE READY FOR THE INSPECTION AND TESTING OF THE GOVERNMENT CONTRACTOR'S EQUIPMENT CONSTRUCTION. © 1978

8 7 6 5 4 3 2 1



CHK	CHANGE NO	REV
1	5413607-TW3	C
2	5413607-TW4	D
3	5413607-TW5	E
4	5413607-TW6	F
5	5413607-TW7	G
6	5413607-TW8	H
7	5413607-TW9	I
8	5413607-TW10	J
9	5413607-TW11	K
10	5413607-TW12	L
11	5413607-TW13	M
12	5413607-TW14	N

REVISIONS	CHANGE NO	REV
1	5413607-TW3	C
2	5413607-TW4	D
3	5413607-TW5	E
4	5413607-TW6	F
5	5413607-TW7	G
6	5413607-TW8	H
7	5413607-TW9	I
8	5413607-TW10	J
9	5413607-TW11	K
10	5413607-TW12	L
11	5413607-TW13	M
12	5413607-TW14	N

DATE	BY	CHKD BY	APP'D BY	TITLE
11/14/78	J. H. HANSEN	J. H. HANSEN	J. H. HANSEN	MEM REG





LINE ITEM	DOCUMENT NUMBER	PART NUMBER	DESCRIPTION	QTY	PER	VARIATION	REFERENCE DESIGNATOR
				00	YA	YB	
1	D-MD-5013606-0-0	5013606-00	DRILL & ETCH BD	1	1	1	
2		1004813-00	10 MFD 20V 10% S.TANT	1	1	1	C30
3		1000042-00	1000.0 MMF 100V 5%200PPM MICA	1	1	3	C3, C39, C12
4		1000052-00	.068 MFD 100V 10% MYLR	1	1	1	C25
5		1000060-00	6800.0 MMF 200V 10% MYLR	1	1	1	C31
6		1000075-00	25 MFD 25V +75-10% AL EL	1	1	1	C7
7	SEE NOTE #157	1001610-01	.01 MFD50/100V +80-20% DISC	11	11	11	C4-C6, C8-C10, C21, C33, C15, C43, C44
8		1001776-00	1 MFD 35V 10% S.TANT	1	1	1	C16
9		1001636-00	2400.0 MMF 100V 5%200PPM MICA	2	2	2	C28, C40
10		1014170-00	2700.0 MMF 100V 1% 70PPM MICA	1	1	1	C38
11		1002627-00	2.2MFD 20V 10% S.TANT	1	1	1	C19
12		1005328-00	.33 MFD 20V 10% S.TANT	1	1	1	C20
13		1009312-00	.0047 MFD 100V 1% MYLR	1	1	1	C37
14		1010274-01	.22 MFD 50V +80-20% Z5U CER	1	1	1	C29
15		1011740-02	1800.0 MMF 50V 10% CER	1	1	1	C17
16		1011895-00	.15 MFD 35V 10% S.TANT	1	1	1	C24
17		1012784-00	.047 MFD 50V +80-20% CER	10	10	10	C2, C14, C18, C22, C26, C32, C34-C36, C11
18		1100122-00	VZ= 3.9 5% 400 MW 1N748A	3	3	3	D16, D22, D34
19		1105275-00	PIV= 60 IO=300 MA -15NS	19	-	-	D1, D7, D8, D10, D11, D13, D14, D20, D23-D26, D28, D29, D31, D32, D35, D37, D38
20		CONT		-	17	-	D1, D7, D8, D10, D11, D13, D14, D20, D23-D26, D28, D29, D31, D32, D35
21		CONT		-	-	18	D1, D7, D8, D10, D11, D13, D14, D20, D23-D26, D28, D29, D31, D32, D35, D37, D38
22		1100125-00	VZ= 10.0 5% 400 MW 1N758A	1	1	1	D19
		1105871-00	VZ= 5.15 1% 250 MW	3	3	3	D17, D30, D39
		1118411-00	VZ= 13.0 1% 500 MW 1N5243	2	-	-	D18, D36
		CONT		-	-	1	D36

ENG: MS	ECO NUMBER: TW005	REV: H	SECTION A OF A	BASIC PART NO: 5413607	DRN: J.FERGUSON	DATE: 06-AUG-80	TITLE: MEMORY REG	D I G I T A L
KK	5413607-TW006	J	SECTION VARIATION INDEX	CHK'D: J.FERGUSON	DES.ENG: B.WOLF	DATE: 06-AUG-80	DOCUMENT NUMBER	
CS	5413607-TW009	K	[A] 00, YA, YB	RESP.ENG.: B.WOLF	MFG.ENG.: P.WAITKUS	DATE: 06-AUG-80	SIZE: CODE: NUMBER	
CS	5413607-TW010	L	[B]	ASSEMBLY NUMBER: D-UA-5413607-0-0	TOP DOCUMENT NUMBER: B-DD-5413607-0-0	DATE: 06-AUG-80	REV	
CS	5413607-TW012	M	[C]			DATE: 06-AUG-80	PL	5413607-0-DBP
CS	5413607-TW013	N	[D]			DATE: 06-AUG-80	FILE NAME:	Z0403R.PLS
KK	5413607-TW014	P	[E]			DATE: 06-AUG-80	EDIT #	9
CS	5413607-TW015	R	[F]			DATE: 06-AUG-80		
			[G]			DATE: 06-AUG-80		
			[H]			DATE: 06-AUG-80		
			[I]			DATE: 06-AUG-80		
			[J]			DATE: 06-AUG-80		
			[K]			DATE: 06-AUG-80		
			[L]			DATE: 06-AUG-80		
			[M]			DATE: 06-AUG-80		
			[N]			DATE: 06-AUG-80		

"THIS DRAWING AND SPECIFICATIONS HEREIN, ARE THE PROPERTY OF DIGITAL EQUIPMENT CORPORATION AND SHALL NOT BE REPRODUCED OR COPIED OR USED IN WHOLE OR IN PART AS THE BASIS FOR THE MANUFACTURE OR SALE OF ITEMS WITHOUT WRITTEN PERMISSION. COPYRIGHT (C) 1983. DIGITAL EQUIPMENT CORPORATION"

LINE ITEM	DOCUMENT NUMBER	PART NUMBER	DESCRIPTION	QTY PER VARIATION	REFERENCE DESIGNATOR
				00 YA YB	
23		1116645-03	RECT, ULTRA FAST PIV= 100 IO=25.0	2	D4, D6
24		1110713-00	VZ= 5.1 2x 400 MM 1N751	2	D12, D15
25		1110856-00	VZ= 24.0 5x 400 MM 1N970B	1	D5
26		1111205-00	VZ= 5.7 2x 400 MM	1	D2
27		1114602-00	RECT, ULTRA FAST PIV= 100 IO= 4.0	1	D3
28		1110968-00	SCR PIV= 100 IO= .80A 2N5062	3	G4, Q12, Q26
29		1010978-40	.22 MFD 50V 10% CER	2	C23, C42
30		1210929-02	FUSE, SUB-MINI 1.000A, 125V, A	1	F3
31		1205747-00	FUSE, SUB-MINI, 5.000A, 125V, A	1	F1
32		1216112-03	PCB, HEADER 50POS(1X50).156CC 90D	1	J1
33		1305127-00	4.0 K	1	R77, R85
34		1304856-00	4.64 K	1	R72
35		1304854-00	5.11 K	1	R94, R111
36		1300391-00	1.50 K	2	R34, R83
37		1300316-00	470.0 K	2	R29, R49, R66
38		1300447-00	4.70 K	3	R99, R107, R112, R88, R89, R108
39		1300229-00	100.0 K	6	R11, R17, R24, R26, R35, R53, R54, R106, R114
40		1301317-00	10.0	1	CONT
41		1300364-00	1.0 K	1	R21
42		1300171-00	10.0	1	R12
43		1313014-00	.01	1	R25
44		1301864-00	390.0	1	R14
45		1300479-00	10.0 K	1	R28
46		1309595-00	1.0 M	5	R4, R33, R55, R96, R98
47		1303114-00	1.0 K	1	R38
48			*** THIS ITEM IS NOT USED ***	6	R2, R3, R61, R69, R70, R101
49		1300365-00	1.0 K	16	
50		1301522-00	27.0	3	R1, R16, R19, R56-R58, R64, R67, R82, R87, R93, R100, R110, R115, R116, R118
51		1305114-00	3.48 K	1	R15, R18, R27
52		1301890-00	560.0	1	R47
53		1300426-00	2.70 K	1	R120
54		1211751-00	FUSE, SUB-MINI, 2.000A, 125V, A	3	R65, R90, R117
55		1305128-00	5.62 K	2	R50, R121
56		1303044-00	100.0 K	1	F4
57		1309787-00	249.0	1	R68, R73, R91
58		1310876-03	.05	1	R68, R91
59		1305124-00	287.0	1	R68
60		1310631-00	2.21 K	1	R45
61		1313341-00	5.36 K	1	R62
62		1304862-00	1.62 K	2	R10, R20
63		1300202-00	47.0	1	R9
64		9006801-00	SPACER, CLEAR HOLE HEX ALUM 6	1	R105, R73

D	I	G	I	T	A	L	TITLE	SECTION	A	OF	A	SIZE	CODE	DOCUMENT NUMBER	REV
							MEMORY REG	A				K	PL	5413607-0-DBP	R

LINE ITEM DOCUMENT NUMBER

PART NUMBER

DESCRIPTION

QTY PER VARIATION  
00 YA YB

REFERENCE DESIGNATOR

LINE ITEM	DOCUMENT NUMBER	PART NUMBER	DESCRIPTION	QTY PER VARIATION 00 YA YB	REFERENCE DESIGNATOR
65		1311845-00	.25 W 1.0 % RN55D-F10	4	R13,R40,R41,R52
66		1315436-00	.25 W 1.0 % RN55D-F10	4	R39
67		1310876-00	5.0 W 3.0 % WW	1	R37
68		1304843-00	.25 W 1.0 % RN55D-F10	1	R42
69		9006026-01	SCREW,MACH PAN PHIL 6-	1	R31
70		1300440-00	.50 W 5.0 % CF	1	R59,R119
71		1312929-00	.25 W 5.0 % CF	1	R71,R122,R5
72		1305252-00	68.10 K .25 W 1.0 % RN55D-F10	3	R76
73		1305325-00	8.25 K .25 W 1.0 % RN55D-F10	3	
74		9006653-00	WASHER,FLAT STEEL	1	
75		9107560-03	WIRE,BUSS 18AWG TIN BARE	1	
76		1305346-00	27.0 K .25 W 5.0 % CF	A/R A/R	R8,R113
77		1310634-00	2.67 K .25 W 1.0 % RN55D-F10	2	R80,R103
78		1310632-00	2.37 K .25 W 1.0 % RN55D-F10	2	R102
79		1301874-00	5.60 K .25 W 5.0 % CF	1	R95,R97
80		1300444-00	3.90 K .25 W 5.0 % CF	2	R78
81			*** THIS ITEM IS NOT USED ***	1	
82		1303155-00	21.50 K .25 W 1.0 % RN55D-F10	1	R75
83		1314041-00	3.01 K .25 W 1.0 % RN55D-F10	1	R74
84		1312931-00	6.20 K .25 W 5.0 % CF	1	R51,R81,R86,R109
85		1000016-00	100.0 MMF 5%200PPM MICA	4	C1,C13
86		1304833-00	1.96 K .25 W 1.0 % RN55D-F10	2	R79
87		1305322-00	7.50 K .25 W 1.0 % RN55D-F10	1	R60
88		1312545-00	2.32 K .25 W 1.0 % RN55D-F10	1	R46
89		1300433-00	3.0 K 1.0 W 5.0 % CC	1	R32
90		1302398-00	470.0 K .25 W 5.0 % CF	1	R6
91		1000023-00	330.0 MMF 100V 5%200PPM MICA	1	R6
92		1302465-00	18.0 K .25 W 5.0 % CF	1	C27
93		1303047-00	464.0 .25 W 1.0 % RN55D-F10	1	R48
94		1305422-00	137.0 K .25 W 1.0 % RN55D-F10	1	R84
95		1301838-00	120.0 1.0 W 5.0 % CC	2	R43,R44
96		9107370-00	WIRE, 14AWG19/.0147IPVC 150V	1	R104
97		9007928-00	TERM, RING #10STUD CRIMP 14-1	A/R A/R	
98			*** THIS ITEM IS NOT USED ***	2	
99			*** THIS ITEM IS NOT USED ***	2	
100		9007201-00	PAD,MOUNTING,COMPONENT	4	
101		9008268-00	COMPOUND, THERMAL JOINT	A/R A/R	
102		1510928-00	SCR PIV= 100 IO=25.00A	4	
103		1505867-00	SCR PIV= 50 IO= 8.00A 2N4441	1	Q3
104		1305108-00	1.47 K .25 W 1.0 % RN55D-F10	2	Q6,Q25
105		1510969-00	2N 5038 NPN 140WC SI 90 50 Y	1	R120
106		1510708-00	D 45H8 PNP 50WT SI 60 60 Y	1	Q5
107		1510959-00	2N 3725 NPN 3.5WC SI 50 60 P	2	Q2,Q8
108		1510706-01	B 55 PNP 500MW SI 60 50	1	Q11
109		1513490-00	2N 4403 PNP 350MW SI-40 30	1	Q17,Q20,Q24
110		1509524-00	2N 3904 NPN 310MW SI 40 40 M	3	Q1,Q15,Q27
111		1512652-00	2N 6490 PNP 50W SI 60 40	8	Q10,Q16,Q18,Q19,Q21,Q22,Q23,Q28
112		1501913-00	2N 2904A PNP 600MW SI 60 40 Y	1	Q13
		1914473-02	7815A VOLT REG, FIX +15V	2	Q7,Q14

D	I	G	I	T	A	L	TITLE	SECTION A OF A	SIZE	CODE	DOCUMENT NUMBER	REV
									K	PL	5413607-0-DBP	R

LINE ITEM	DOCUMENT NUMBER	PART NUMBER	DESCRIPTION	QTY	PER VARIATION	REFERENCE DESIGNATOR
				00	YA	YB
113		1914156-00	LM 393 VOLT. COMPARATOR DUAL	3	3	E1,E2,E4
114		1912107-00	324 OP AMP, QUAD	1	1	E6
115		1911944-00	555CN TIMER, FUNCT. BLOCK	3	3	E7,E8,E10
116		1912858-00	LS221 ONE SHOT-DUAL, SCHMITT	1	1	E5
117		1616212-00	80.0 UH 12.5ADC 30KHZ	1	1	L1
118		1616210-00	250.0 UH @ 6.5A DC, 600.0 UH @	1	1	L2
119		1616211-00	350.0 UH 3A	1	1	L3
120		7422046-00	HEAT SINK, SINGLE	1	1	
121		7422047-01	HEAT SINK DOUBLE	2	2	
122		1213426-03	HEAT SINK, TO-3	1	1	
123		1214789-00	INSERT, THREAD	1	1	
124		9009769-00	WASHER, RECTNGLR	2	2	
125		9010128-00	WASHER, TAP PAN	7	7	
126		9006024-01	SCREW, MACH PAN	2	2	
127		9006011-01	SCREW, MACH PAN	3	3	
128		9006688-00	WASHER, HELICAL	3	3	
129		9006556-00	NUT, HEX	3	3	
130		9006041-01	SCREW, MACH PAN	2	2	
131		9006802-00	SPACER, CLEAR HOLE	2	2	
132		9006656-00	WASHER, FLAT	2	2	
133		9007801-00	WASHER, HELICAL	3	3	
134		9006690-00	WASHER, HELICAL	2	2	
135		9006660-00	WASHER, FLAT	2	2	
136		9009005-00	NUT, HEX	2	2	
137		9007906-00	WASHER, HELICAL	2	2	
138		9009185-00	JUMPER, WIRE, INSULATED, BLACK	2	2	
139			*** THIS ITEM IS NOT USED ***			
140		1509700-00	2N 4036 PNP 7WC SI 80100 M	1	1	Q9
141			*** THIS ITEM IS NOT USED ***			
142			*** THIS ITEM IS NOT USED ***			
143			*** THIS ITEM IS NOT USED ***			
144		9107688-55	WIRE(WRAP) 24AWG KYNAR			
145		1110766-00	VZ= 18.0 5% 500M2 1N5248B			
146			3.83 K .25 W 1.0 % RN55D-F10			D18,D36
147		1309413-00	2.80 K .25 W 1.0 % RN55D-F10			D18
148		1305145-00	20.0 1.0 W 5.0 % RN55D-F10			R80,R103
149		1312993-00	42.20 K .25 W 1.0 % RN55D-F10			R47
150		1210929-09	FUSE, SUB-MINI, 7.000A, 125V, AXI			R123
151		1316575-00	RECT, ULTRA FAST PIV= 50 IO= 6.0			R39
152		1114893-00	10.0 2.0 W 5.0 % CC			F2
153		1911944-01	555-1 TIMER FUNCT. BLOCK, 5			R36
154		1305336-00	200.0 K .25 W 1.0 % RN55D-F10			D40
						E9
						R7

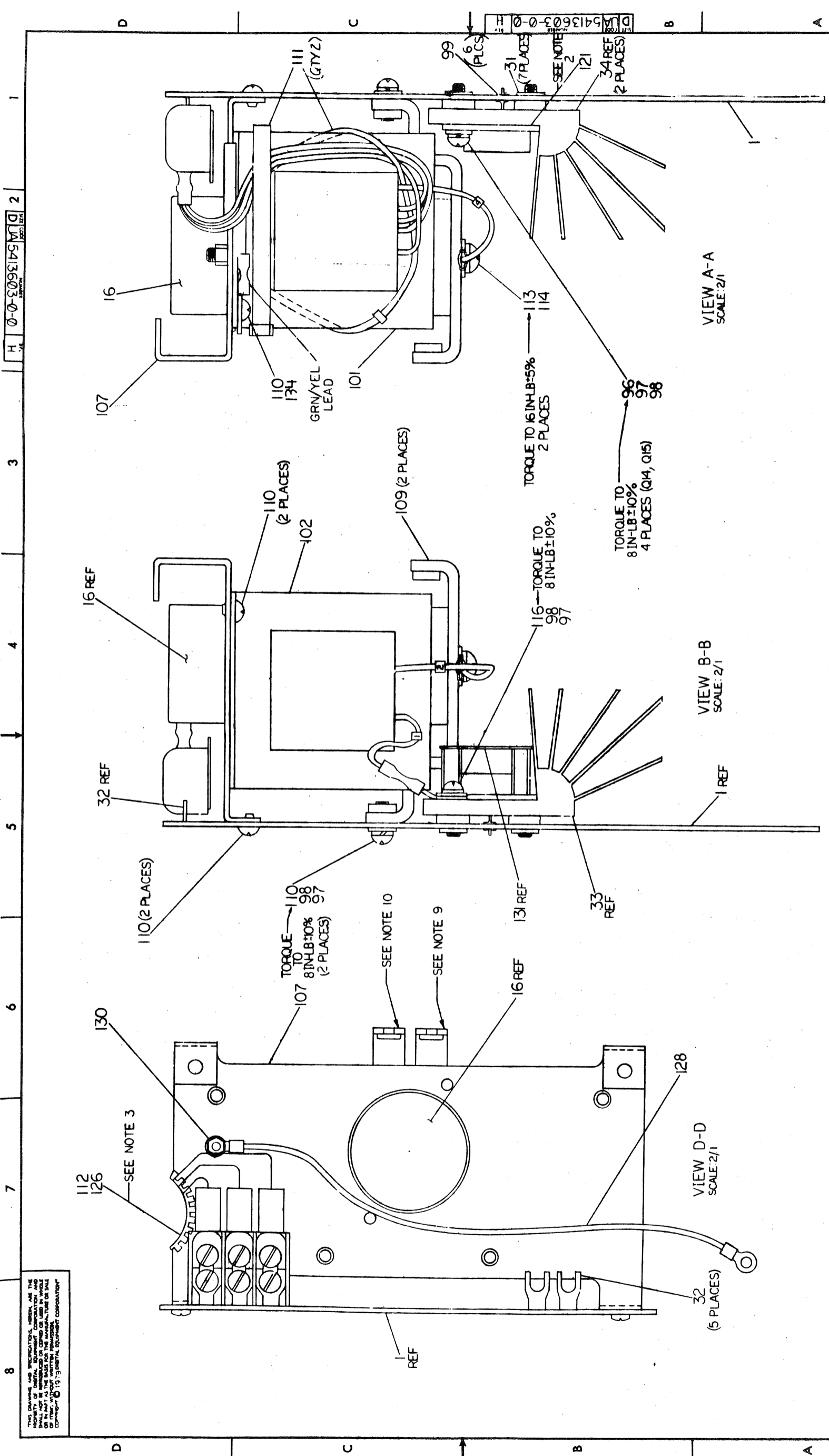
D	I	G	I	T	A	L	TITLE	SECTION A	OF	A	SIZE	CODE	DOCUMENT NUMBER	REV
							MEMORY REG				K	PL	5413607-0-DBP	R

AUTOMATED BY PRTLST.3P(44) P A R T S L I S T SHEET A5 OF A5  
 LINE ITEM DOCUMENT NUMBER PART NUMBER DESCRIPTION QTY PER VARIATION REFERENCE DESIGNATOR  
 00 YA YB

155 NOTE: ITEM #75: .17' IS USED.  
 156 NOTE: ITEM #144: .19' IS USED.  
 157 NOTE: ITEM #96: .56' IS USED.  
 158 NOTE: ITEM #7. FOR C43 & C44, DEC P/N 1001610-00 MAY BE USED IN PLACE OF DEC P/N 1001610-01.

D I G I T A L	T I T L E	S E C T I O N A O F A	S I Z E C O D E	D O C U M E N T N U M B E R	R E V
14	MEMORY REG		K PL	5413607-0-DBP	R





H 0-0-3093151A 2

3

4

5

6

7

8

VIEW A-A  
SCALE: 2/1

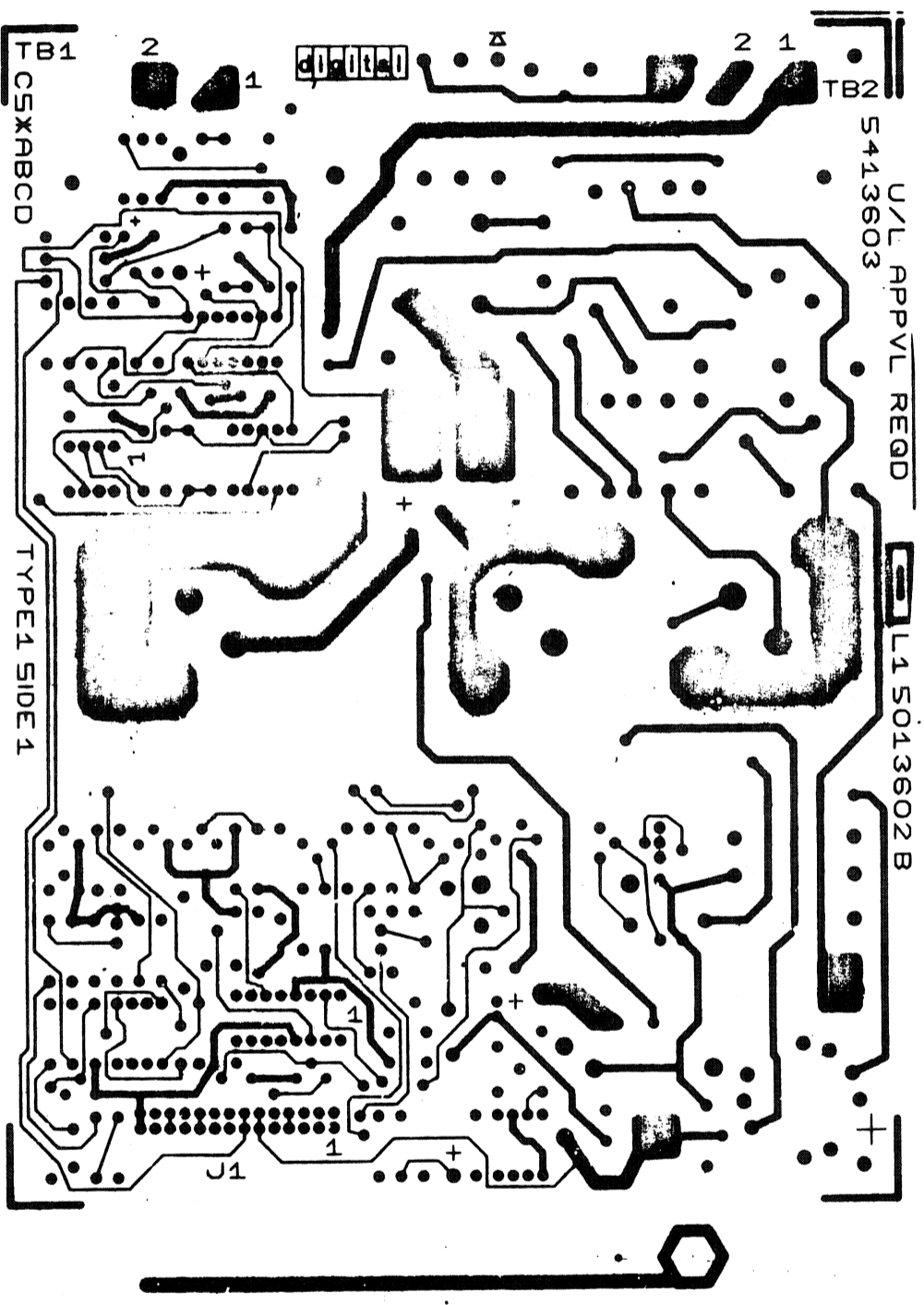
VIEW B-B  
SCALE: 2/1

VIEW D-D  
SCALE: 2/1

THIS DRAWING AND SPECIFICATIONS, HEREIN, ARE THE PROPERTY OF THE UNITED STATES GOVERNMENT AND SHALL NOT BE REPRODUCED OR COPIED OR USED IN ANY MANNER OR BY ANY MEANS, ELECTRONIC OR MECHANICAL, INCLUDING PHOTOCOPYING, RECORDING, OR BY ANY INFORMATION STORAGE AND RETRIEVAL SYSTEM, WITHOUT PERMISSION IN WRITING FROM THE ASSISTANT SECRETARY OF THE ARMY, WASHINGTON, D.C. 20315-5000

REV. NO.		NUMBER		DIA 5413603-0-0		REV. H	
TITLE		MEMORY INVERTER		SHEET 2 OF 5		REV. 2	
SCALE		2/1		2/1		2	
REV. NO.		CHANGE NO.		REV.		REV.	

1. This drawing was prepared by the author and the author is responsible for its accuracy. It is not to be used for the construction of a physical model or for the construction of a physical model without the approval of the author. It is not to be used for the construction of a physical model without the approval of the author.

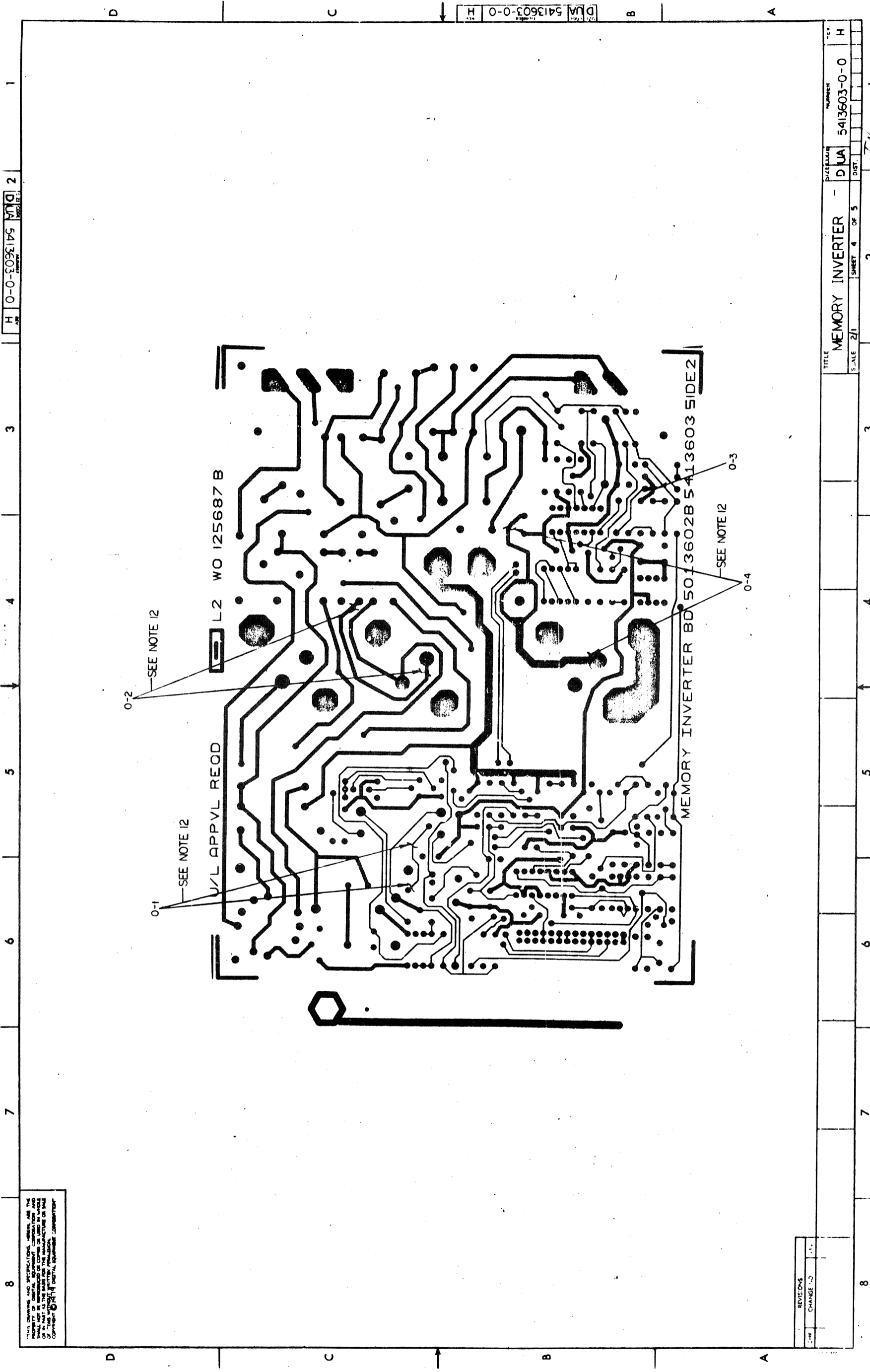


REVISIONS	
DATE	REV

TITLE	MEMORY INVERTER
SCALE	2/1
SHEET	3 OF 5
SIZE	D 1/4
NUMBER	5413603-0-0
REV	H

DIA J413603-0-0 H

H 0-0-0-3603-0-0 DIA 5413603-0-0 H 2



5413603-0-0 H 2

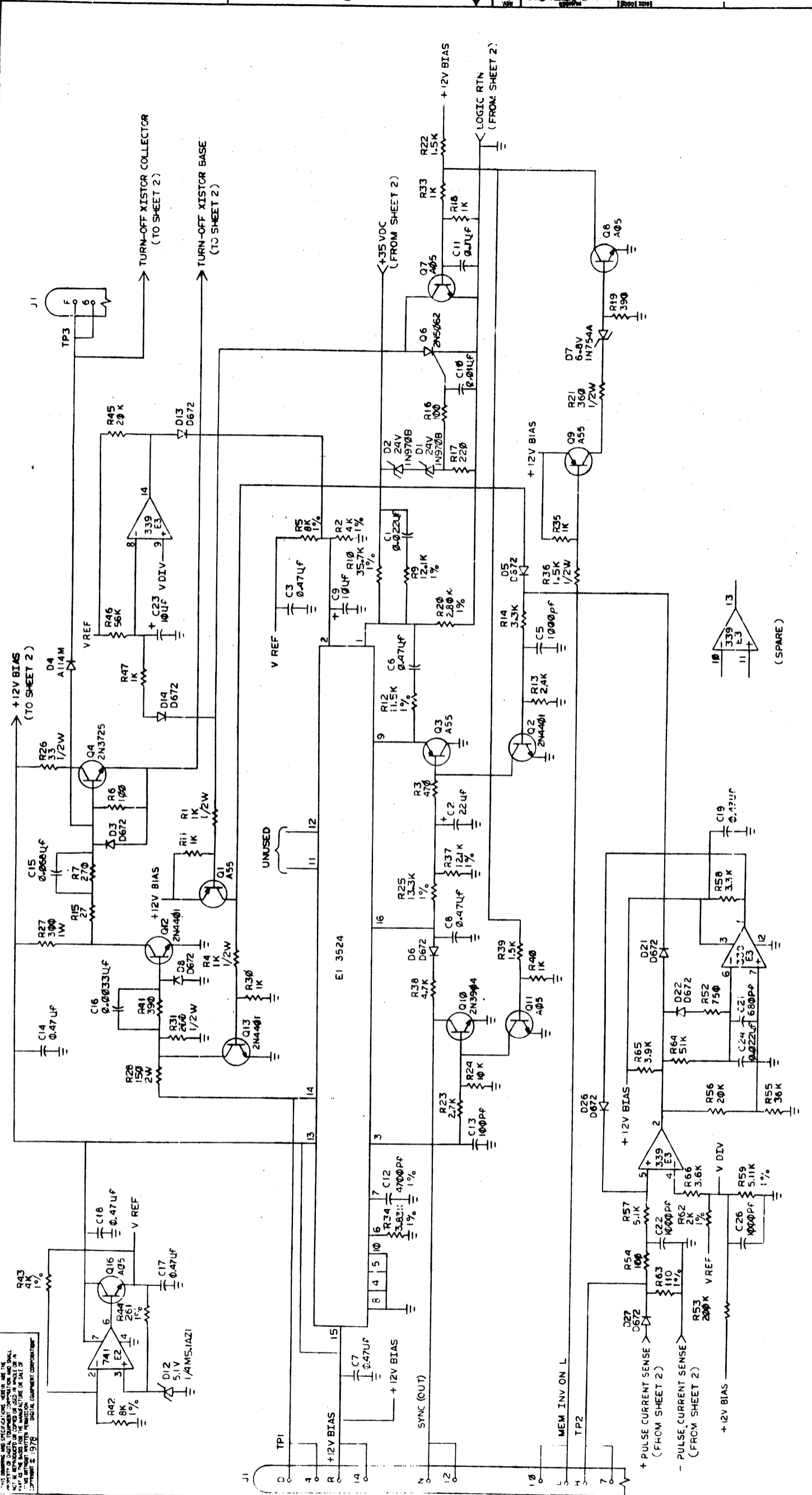
DUA 5413603-0-0 H

REVISIONS	
DATE	CHANGE

TITLE	MEMORY INVERTER	REV.	H
S-FILE	2/1	SHEET	4 OF 5
DIST.	2	DATE	7-2
DRAWN	DUA	NUMBER	5413603-0-0

THIS DRAWING AND SPECIFICATIONS HEREBY ARE THE PROPERTY OF DIGITAL EQUIPMENT CORPORATION AND ARE TO BE USED BY THE BUYER FOR THE MANUFACTURE OF THIS EQUIPMENT ONLY. NO PARTS, MATERIALS, OR INFORMATION CONTAINED HEREIN IS TO BE REPRODUCED OR TRANSMITTED IN ANY FORM OR BY ANY MEANS, ELECTRONIC OR MECHANICAL, INCLUDING PHOTOCOPYING, RECORDING, OR BY ANY INFORMATION STORAGE AND RETRIEVAL SYSTEM.





REV	CHG	NO.	DATE	BY	REASON
1					
2					
3					
4					
5					
6					
7					
8					

CHK	1-0-109E175	REV	J
CHANGE NO.	510	NUMBER	01
REV		SIZE	D
		CODE	CS
		OF	2
		SHEET	1
		DIST.	1

DRY	1-0-109E175	REV	J
CHK	1-0-109E175	NUMBER	01
ENG	1-0-109E175	SIZE	D
PROJ	1-0-109E175	CODE	CS
PROD	1-0-109E175	OF	2
		SHEET	1
		DIST.	1

REV	1	2	3	4	5	6	7	8
CHG								
NO.								
DATE								
BY								
REASON								

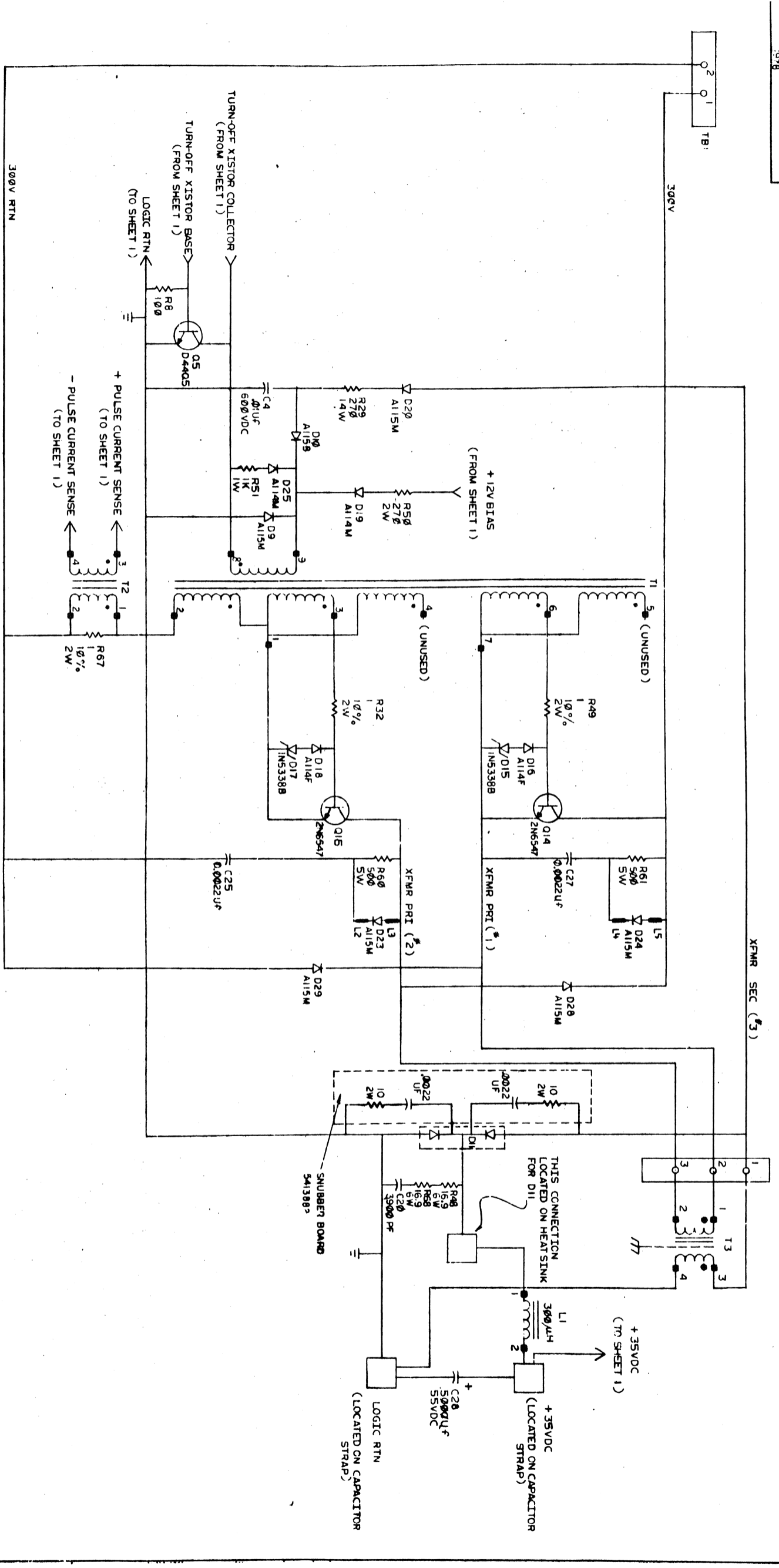
REVISIONS

1-0-109E175

MEMORY INVERTER

CS 5-1303 01 J

THIS DRAWING AND SPECIFICATION, HEREIN, AND THE INFORMATION CONTAINED THEREIN, IS UNCLASSIFIED EXCEPT WHERE SHOWN OTHERWISE. IT IS THE POLICY OF THE DEPARTMENT OF DEFENSE TO MAKE AVAILABLE TO THE PUBLIC THE INFORMATION CONTAINED HEREIN, UNLESS IT IS DETERMINED THAT DISCLOSURE OF THIS INFORMATION COULD BE DETAILED TO THE NATIONAL DEFENSE.



8	7	6	5	4	3	2	1								
<p>REVISIONS</p> <table border="1"> <thead> <tr> <th>NO.</th> <th>DATE</th> <th>BY</th> <th>REV.</th> </tr> </thead> <tbody> <tr> <td> </td> <td> </td> <td> </td> <td> </td> </tr> </tbody> </table>								NO.	DATE	BY	REV.				
NO.	DATE	BY	REV.												
<p>TITLE: MEMORY INVERTER</p> <p>SCALE: 1" = 1"</p> <p>SHEET: 2 OF 2</p> <p>DATE: 5/13/63</p> <p>NUMBER: 5413603-0-1</p> <p>REV: J</p>															

LINE ITEM DOCUMENT NUMBER PART NUMBER DESCRIPTION QTY PER VARIATION REFERENCE DESIGNATOR

1	D-MD-5013602-0-0	5013602-00	DRILL & ETCH BD	1	
2		1000016-00	100.0 MMF 100V 5%200PPM MICA	1	C13
3		1000052-00	.068 MFD 100V 10% MYLR	1	C15
4	BLANK		*** THIS ITEM IS NOT USED ***	-	
5		1005636-00	.22 MFD 6V 10% S.TANT	1	C2
6		1009312-00	.0047 MFD 100V 1% MYLR	1	C12
7		1010279-00	.47 MFD 25V 20% CER	8	C7, C18, C19, C8, C14, C17, C3, C6
8		1010978-24	.01 MFD 50V 10% CER	1	C10
9		1011740-01	3300.0 MMF 50V 10% CER	1	C16
10		1011683-00	.022 MFD 50V 10% CER	2	C1, C24
11		1013466-08	680.0 MMF 50V 10% CER	1	C21
12		1013466-09	1000.0 MMF 50V 10% X7R CER	3	C5, C22, C26
13		1011847-02	.01 MFD 600V 10% POLYPROP	1	C4
14		1014139-00	.0022 MFD 600V 10% POLYPROP	2	C25, C27
15		1013397-00	3900.0 MMF 300V 10%200PPM MIC	1	C20
16		1016168-00	5000 MFD 55V 20% AL EL	1	C28
17		1010978-36	.1 MFD 50V 10% CER	1	C11
18		1010866-02	PIV= 10 MFD 25V +50-20% S.TANT	2	C9, C23
19		1105275-00	PIV= 60 IO=300 MA -15NS	10	D26, D27, D21, D22, D8, D5, D3, D14, D13, D6
20		1105871-00	VZ= 5.15 1% 250 MW	1	D12
21		1109991-00	VZ= 6.8 5% 400 MW 1N754A	1	D7
22		1110856-00	VZ= 24.0 5% 400 MW 1N970B	2	D1, D2
23		1112594-01	PIV= 200 IO= 3.00A	1	D10
24		1112594-02	PIV= 600 IO= 3.00A	6	D24, D20, D23, D28, D29, D9
25		1112595-00	PIV= 50 IO= 1.00A	2	D16, D18
26		1112595-02	PIV= 600 IO= 1.00A	3	D25, D4, D19
27		1114192-00	PIV= 400 IO=15.00A	1	D11
28		1114435-00	VZ= 5.1 5% 5 W 1N5338	2	D15, D17
29		1110968-00	SCR PIV= 100 IO= .80A 2N5062	1	Q6

REVISION HISTORY		BASIC PART NO: 5413603		DRN: K. SHEYTMANIAN		DATE: 20-DEC-78		D I G I T A L	
ENG:	ECO NUMBER	REV	SECTION A OF A	CHK'D:	F. GAROFALO	DATE:	20-DEC-78	PARTS LIST	
	INIT	A	SECTION VARIATION INDEX	DES. ENG.:	J. A. HERRMANN	DATE:	20-DEC-78	MEMORY INVERTER	
RW	5413603-TW001	B	[A] 00	RESP. ENG.:	J. HERMANN	DATE:	20-DEC-78	DOCUMENT NUMBER	
AK	5413603-UW192(!)	C	[B]	MFG. ENG.:	J. COMELLA	DATE:	20-DEC-78	SIZE: CODE: NUMBER	
AK	5413603-TW002	C	[C]	ASSEMBLY NUMBER:	D-UA-5413603-0-0	TOP DOCUMENT NUMBER:		FILE NAME: Z0401J.PLS	
RW	5413603-TW003	D	[D]					EDIT # 39	
RW	5413603-TW004	E	[E]						
EC	5413603-TW005	F	[F]						
EC	5413603-TW006	H	[H]						
RH	5413603-TW06A	H	[J]						
RW	5413603-TW007	J	[K]						
			[L]						
			[M]						
			[N]						

"THIS DRAWING AND SPECIFICATIONS HEREIN, ARE THE PROPERTY OF DIGITAL EQUIPMENT CORPORATION AND SHALL NOT BE REPRODUCED OR COPIED OR USED IN WHOLE OR IN PART AS THE BASIS FOR THE MANUFACTURE OR SALE OF ITEMS WITHOUT WRITTEN PERMISSION. COPYRIGHT (C) 1983. DIGITAL EQUIPMENT CORPORATION"

LINE ITEM	DOCUMENT NUMBER	PART NUMBER	DESCRIPTION	QTY PER VARIATION	REFERENCE DESIGNATOR
30		1216112-01	PCB,HEADER 28POS(1X28).156CC 90D	1	J1
31		1214789-00	INSERT,THREAD	7	
32		1216269-01	TERM,SPADE .145STUD SOLDER	5	
33		1216314-00	HEAT SINKS, 2.750X2.44	1	
34		1216314-01	HEAT SINKS, 2.750X1.32	2	
35		1309679-00	16.90	2	R48,R68
36		1300195-00	33.0	2	R26
37		1300229-00	100.0	4	R16,R6,R8,R54
38		1300250-00	*** THIS ITEM IS NOT USED ***	1	
39		1300257-00	150.0	1	R28
40		1300271-00	220.0	1	R17
41		1300292-00	300.0	1	R27
42		1300309-00	390.0	1	R19,R41
43		1300316-00	470.0	2	R3
44		1300364-00	1.0	2	R4,R1
45		1300365-00	1.0	7	R30,R11,R35,R18,R33,R40,R47
46		1300394-00	1.50	1	R36
47		1300439-00	3.30	2	R58,R14
48		1300444-00	3.90	1	R65
49		1300479-00	4.70	1	R38
50		1300479-00	10.0	1	R24
51		1301401-00	750.0	1	R24
52		1301522-00	27.0	1	R52
53		1303169-00	500.0	1	R15
54		1301972-00	270.0	2	R60,R61
55		1302873-00	261.0	1	R7
56		1302377-00	*** THIS ITEM IS NOT USED ***	1	R44
57		1302383-00	360.0	1	R21
58		1302391-00	20.0	2	R56,R45
59		1304839-00	51.0	1	R64
60		1303114-00	*** THIS ITEM IS NOT USED ***	1	
61		1303313-00	12.10	2	R37,R9
62		1305127-00	4.0	2	R43,R2
63		1305129-00	8.0	2	R42,R5
64		1305145-00	2.80	1	R20
65		1305322-00	*** THIS ITEM IS NOT USED ***	1	
66		1305380-00	270.0	1	R50
67		1305421-00	35.70	1	R10
68		1314350-00	1.0	3	R32,R49,R67
69		1309413-00	3.83	1	R34
70		1314172-00	270.0	1	R29
71		1300426-00	2.70	1	R23
72		1312565-00	13.30	1	R25
73		1312923-00	*** THIS ITEM IS NOT USED ***	1	
74		1312930-00	5.10	1	R57
75		1312932-00	36.0	1	R55
76		1313151-00	3.60	1	R66
77		1313581-00	110.0	1	R63

D	I	G	I	T	A	L	TITLE	SECTION	A	OF	A	SIZE	CODE	DOCUMENT NUMBER	REV
							MEMORY INVERTER	A				K	PL	5413603-0-DBP	J

LINE ITEM DOCUMENT NUMBER PART NUMBER DESCRIPTION QTY PER VARIATION REFERENCE DESIGNATOR

LINE ITEM	DOCUMENT NUMBER	PART NUMBER	DESCRIPTION	QTY PER VARIATION	REFERENCE DESIGNATOR
78		1300389-00	*** THIS ITEM IS NOT USED ***	-	
79		1302381-00	200.0 .50 W 5.0 % CF	1	R31
80		1300368-00	1.0 K 1.0 W 5.0 % CC	1	R51
81		1300391-00	1.50 K .25 W 5.0 % CC	2	R39, R22
82		1302395-00	56.0 K .25 W 5.0 % CF	1	R46
83		1510705-00	XA 05 NPN 500MW SI 60 50 P	4	Q7, Q8, Q11, Q16
84		1510706-00	XA 55 PNP 500MW SI 60 50 P	3	Q1, Q3, Q9
85		1510959-00	2N 3725 NPN 3.5WC SI 50 60 P	1	Q4
86		1513489-00	2N 4401 NPN 350MW SI 40 20	3	Q2, Q12, Q13
87		1514195-00	2N 6547 NPN 400V SI 15A	2	Q14, Q15
88		1514271-01	D 44Q5 NPN 31W SI225 30	1	Q5
89		1509524-00	2N 3904 NPN 310MW SI 40 40 M	1	Q10
90		1614202-00	XFMR, CURRENT	1	T2
91		1614204-00	PULSE XFMR 20312 BASE DRIVE	1	T1
92		1910298-00	741 OP AMP GEN PURP. COM	1	E2
93		1912108-00	339 VOLT CMPRTR, QUAD	1	E3
94		1914250-00	3524 MODULATOR-REGULATING	1	E1
95		7422046-00	HEAT SINK, SINGLE	1	
96		9006025-01	SCREW, MACH PAN PHIL 6-	4	
97		9006656-00	WASHER, FLAT STEEL	9	
98		9007801-00	WASHER, HELICAL SPLIT SST	9	
99		9007836-00	EYELET, ROLLED 0.1210DX0.093	6	
100		9010128-00	SCREW, TAP PAN PHIL THD RL 4-	1	
101		7016051-00	TRANSFORMER ASSY	1	T3
102		7016052-00	CHOKE ASSY	1	L1
103		1303177-00	2.40 K .25 W 5.0 % CF	1	R13
104		1302860-00	11.50 K .25 W 1.0 % RN55D-F10	1	R12
105		1304854-00	5.11 K .25 W 1.0 % RN55D-F10	1	R59
106		1300411-00	2.0 K .25 W 1.0 % RN55D-F10	1	R62
107		7421435-00	MTG BRKT	1	
108		9009052-00	*** THIS ITEM IS NOT USED ***	-	
109		7422045-00	CAPACITOR STRAP	2	
110		9009708-00	SCREW, TAP PAN PHIL THD RL 6-	7	
111		9009617-00	TIE, CABLE BUNDL. DIA 0-3" TYPE=101	2	
112		9007035-00	GROMMET, CATERPILLAR POLYAMIDE	A/R	
113		9006071-01	SCREW, MACH PAN PHIL 10-	2	
114		9007906-00	WASHER, HELICAL SPLIT STEEL	2	
115		9009243-00	*** THIS ITEM IS NOT USED ***	-	
116		9007793-01	SCREW, MACH PAN PHIL 6-	1	
117		9009769-00	WASHER, RECTNGLR STEEL	1	
118		9006011-01	SCREW, MACH PAN PHIL 4-	1	
119		9006688-00	WASHER, HELICAL SPLIT SST	1	
120		9006556-00	NUT, HEX 4-40X .264AF SS/N	1	
121		9008268-00	COMPOUND, THERMAL JOINT	A/R	
122		9007201-00	PAD, MOUNTING, COMPONENT	1	
123		9105740-55	WIRE(WRAP) 30AWG KYNAR UL14	A/R	
124		9007036-00	GROMMET, CATERPILLAR POLYAMIDE	A/R	
125		1314516-00	200.0 K .25 W 5.0 % CF	1	R53

D	I	G	I	T	A	L	TITLE	SECTION A	OF	A	SIZE	CODE	DOCUMENT NUMBER	REV
							MEMORY INVERTER				K	PL	5413603-0-DBP	J

DATED BY PRTLST.2E(3)

P A R T S L I S T

SHEET A4 OF A4

ITEM	DOCUMENT NUMBER	PART NUMBER	DESCRIPTION	QTY PER VARIATION	REFERENCE DESIGNATOR
126		9009157-00	ADH.LIQ.RM.TEMP CURING COLORLESS	A/R	
127		9107256-11	TUBING,TEFLON .027ID	A/R	
128		7016920-00	JUMPER ASSY	1	
129		9107560-01	WIRE,BUSS 22AWG	A/R	
130		9006565-00	NUT,HEX EXT T00TH LCKWSHR	10-32	
131		5413882-00	SNV SNUBBER	1	
132		9007853-01	SCREW,MACH PAN PHIL	6-	
133		9006803-00	SPACER,CLEAR HOLE HEX ALUM	6	
134		9009708-01	SCREW,TAP PAN PHIL THD RL	6-	
135		1622663-01	BEAD,FERRITE .2000DX.250LG	4	L2,L3,L4,L5

NOTE: ITEM #123: .52' IS USED.  
 NOTE: ITEM #124: .08' IS USED.  
 NOTE: ITEM #127: .56' IS USED.  
 NOTE: ITEM #129: .37' IS USED.

I	G	I	T	A	L	TITLE	SECTION A OF A	SIZE CODE	DOCUMENT NUMBER	REV
BH	14					MEMORY INVERTER		K	PL 5413603-0-DBP	J