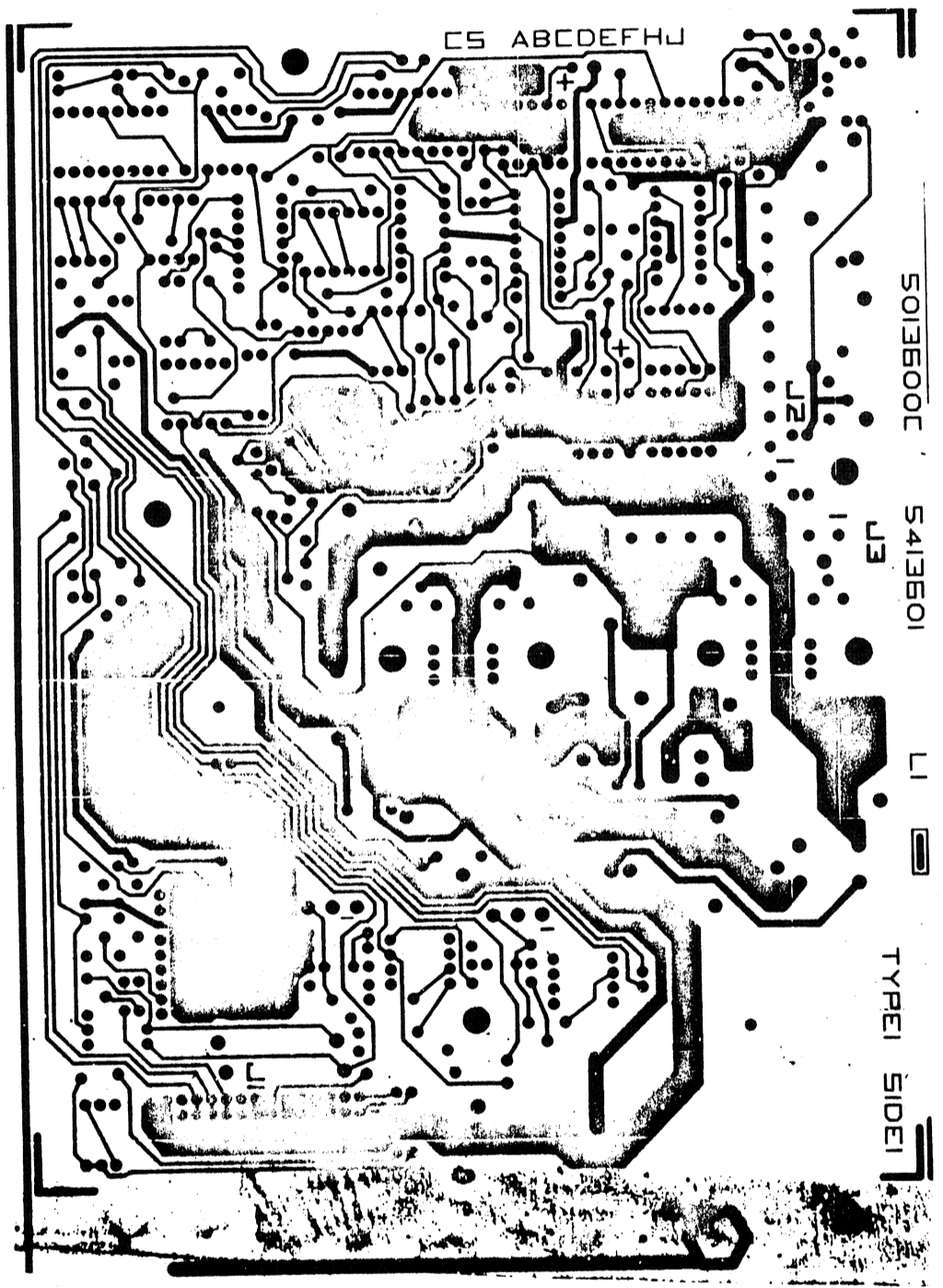


NOTES: 1. THIS DRAWING IS THE PROPERTY OF THE U.S. GOVERNMENT AND IS TO BE REPRODUCED OR TRANSMITTED IN ANY FORM OR BY ANY MEANS, ELECTRONIC OR MECHANICAL, INCLUDING PHOTOCOPYING, RECORDING, OR BY ANY INFORMATION STORAGE AND RETRIEVAL SYSTEM, WITHOUT PERMISSION IN WRITING FROM THE U.S. GOVERNMENT PRINTING OFFICE.



REV	DATE	BY	CHKD

TITLE	5413601 INVERTER CONTROL BOARD
SCALE	2/1
SHEET	2 OF 4
SIZE CODE	DUA
QUANTITY	5413601-0-0
REV	F

DUA 5413601-0-0 F

5413601-0-0 2

5413601-C-0 F 2

1

3

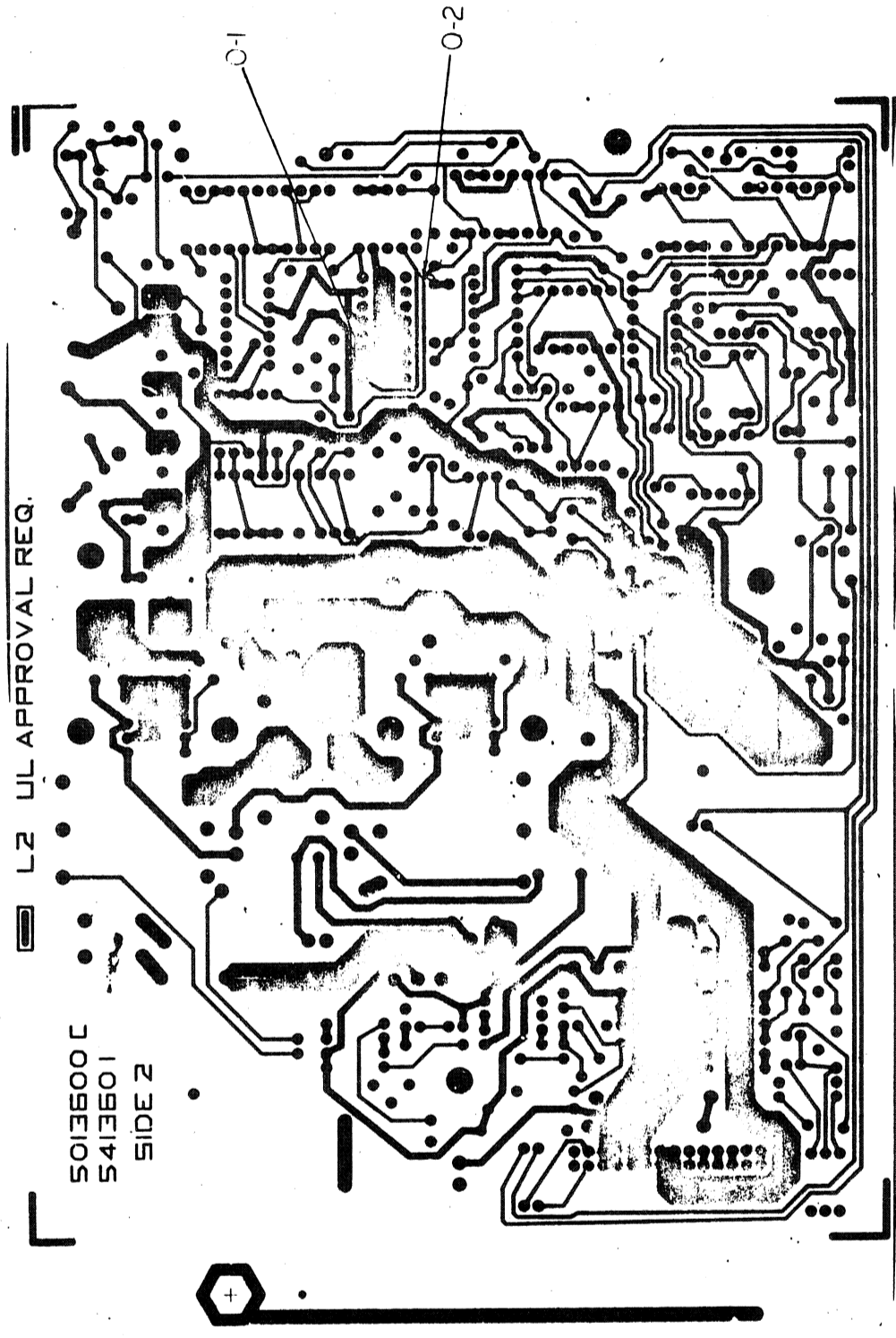
5

6

7

8

ALL DIMENSIONS ARE IN INCHES UNLESS OTHERWISE SPECIFIED.
 DIMENSIONS ARE TO CENTER UNLESS OTHERWISE SPECIFIED.
 DIMENSIONS ARE TO CENTER UNLESS OTHERWISE SPECIFIED.
 DIMENSIONS ARE TO CENTER UNLESS OTHERWISE SPECIFIED.
 DIMENSIONS ARE TO CENTER UNLESS OTHERWISE SPECIFIED.



L2 UL APPROVAL REQ.

5013600 C
 5413601
 SIDE 2

+

O-1

O-2

REVISIONS	REV.
C-1	CHANGE 10
	114

TITLE	LOGIC INVERTER CONTROL BOARD	SIZE/CODE	DJA	NUMBER	5413601-0-0	REV.	F
SCALE	2/1	SHEET	3	OF	4		

2

3

4

5

6

7

8

DJA 5413601-0-0 F

B

A

D

C

B

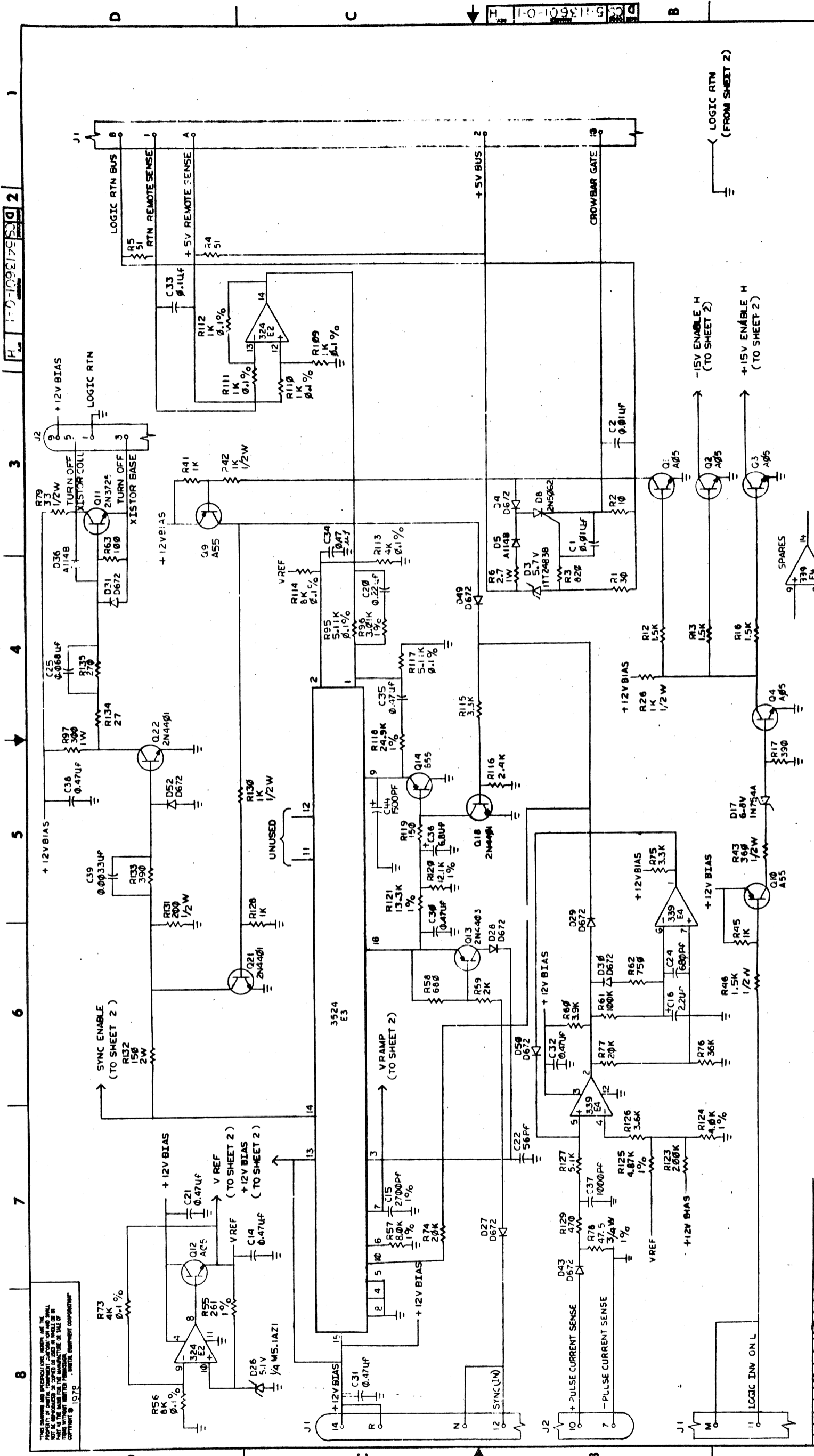
A

D

C

B

A



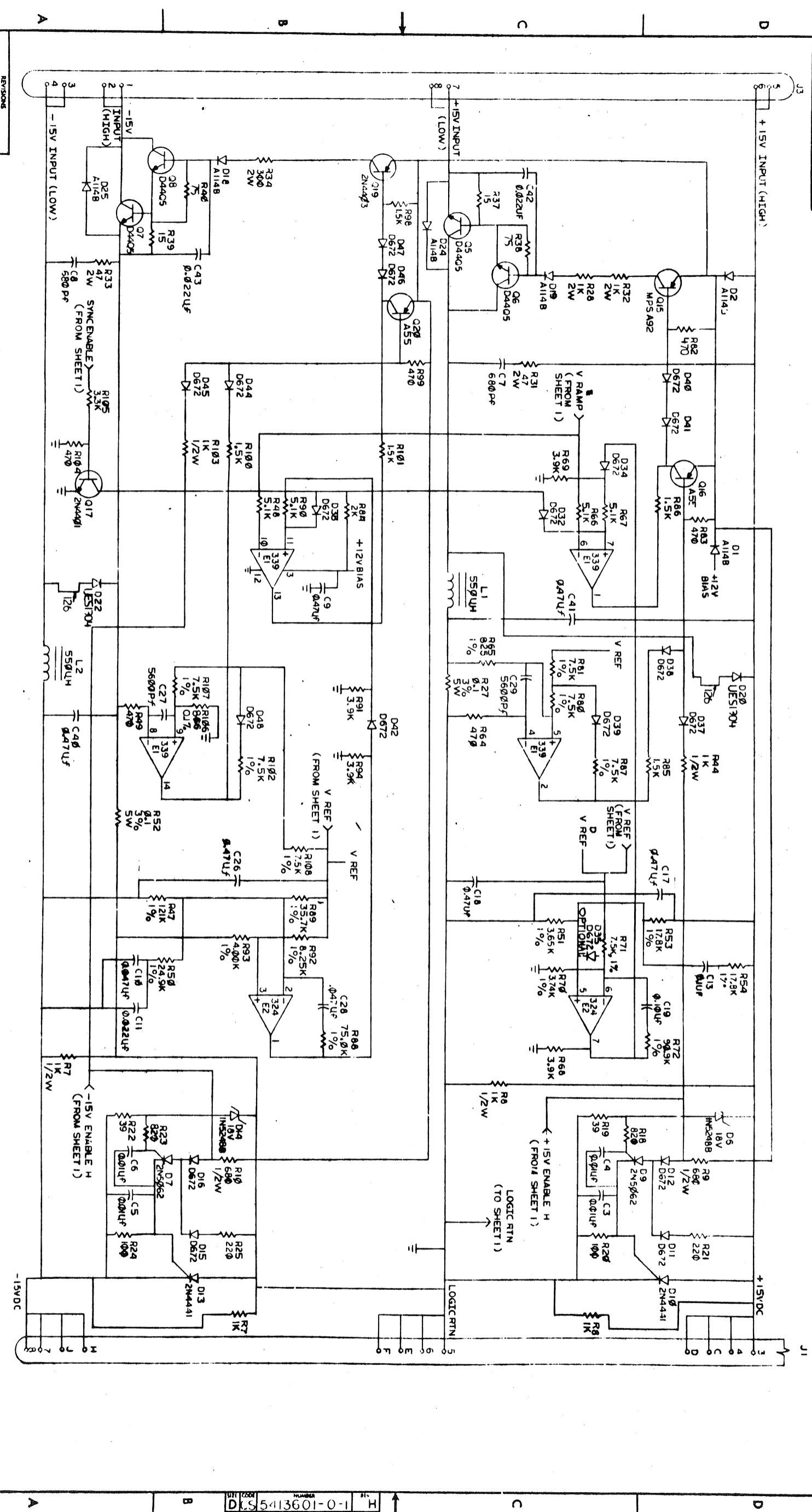
CHK	REV	REV	REV	REV	REV
1	1	1	1	1	1
2	2	2	2	2	2
3	3	3	3	3	3
4	4	4	4	4	4
5	5	5	5	5	5
6	6	6	6	6	6
7	7	7	7	7	7
8	8	8	8	8	8

TITLE: LOGIC INVERTER CONTROL BOARD
 SIZE: 5413601-0-1
 SHEET: 2 OF 2
 DESIGNED BY: [Signature]
 CHECKED BY: [Signature]
 DATE: [Date]
 PROJECT: [Project Name]
 DRAWING NO.: 5413601-0-1

REV	REV	REV	REV	REV	REV
1	1	1	1	1	1
2	2	2	2	2	2
3	3	3	3	3	3
4	4	4	4	4	4
5	5	5	5	5	5
6	6	6	6	6	6
7	7	7	7	7	7
8	8	8	8	8	8

THESE DRAWINGS AND INFORMATION HEREON ARE THE PROPERTY OF THE COMPANY AND ARE NOT TO BE REPRODUCED OR TRANSMITTED IN ANY FORM OR BY ANY MEANS, ELECTRONIC OR MECHANICAL, INCLUDING PHOTOCOPYING, RECORDING, OR BY ANY INFORMATION STORAGE AND RETRIEVAL SYSTEM, WITHOUT THE WRITTEN PERMISSION OF THE COMPANY. © 1978

THIS DRAWING AND SPECIFICATION, WHEN READ IN CONNECTION WITH THE DRAWING OF THE BOARD, SHALL BE CONSIDERED AS PART OF THE CONTRACT. THE CONTRACTOR SHALL BE RESPONSIBLE FOR THE ACCURACY OF THE DRAWING AND SPECIFICATION. THE CONTRACTOR SHALL BE RESPONSIBLE FOR THE ACCURACY OF THE DRAWING AND SPECIFICATION. THE CONTRACTOR SHALL BE RESPONSIBLE FOR THE ACCURACY OF THE DRAWING AND SPECIFICATION.



REV	NUMBER	DATE	BY	CHK	CHANGE NO.	REV
1	1					

TITLE	LOGIC INVERTER CONTROL BOARD
SCALE	SHEET 2 OF 2
REV.	REV. 1
DATE	DCS 5413601-0-1
BY	TW

LINE ITEM DOCUMENT NUMBER PART NUMBER DESCRIPTION QTY PER VARIATION REFERENCE DESIGNATOR

1	D-MD-5013600-0-0	5013600-00	DRILL & ETCH BD	1	
2		1010978-24	.01 MFD 50V 10% CER	16	C1-C6
3		1013280-00	680.0 MMF 1000V 5%200PPM MICA	2	C7,C8
4		1010279-01	.47 MFD 25V 20% CER	14	C9,C14,C18,C21,C30-C32,C34,C35, C38,C17,C26,C40,C41
5		1010978-32	.047 MFD 50V 10% CER	2	C10,C28
6		1011683-00	.022 MFD 50V 10% CER	3	C11,C42,C43
7		1014170-00	2700.0 MMF 100V 1% 70PPM MICA	1	C15
8		1002627-00	2.2MFD 20V 10% S.TANT	1	C16
9	BLANK		*** THIS ITEM IS NOT USED ***		
10		1010978-36	.1 MFD 50V 10% CER	3	C19,C33,C13
11		1010274-00	.22 MFD 50V +80-20% Z5U CER	1	C20
12		1000012-00	56.0 MMF 100V 5%200PPM MICA	1	C22
13		1013466-08	680.0 MMF 50V 10% X7R CER	1	C24
14		1000052-00	.068 MFD 100V 10% MYLR	1	C25
15	BLANK		*** THIS ITEM IS NOT USED ***		
16		1011740-00	5600.0 MMF 50V 10% CER	2	C27,C29
17		1005306-00	6.8MFD 35V 10% S.TANT	1	C36
18		1013466-09	1000.0 MMF 50V 10% X7R CER	1	C37
19		1011740-01	3300.0 MMF 50V 10% CER	1	C39
20		1112595-01	PIV= 200 IO= 1.00A AXIAL	8	D1,D2,D5,D18,D19,D24,D25,D36
21		1111205-00	PV= 5.7 2% 400 MW	1	D3
22		1105275-00	PIV= 60 IO=300 MA -15NS	28	D4,D11,D12,D15,D16,D27-D34, D37-D50,D52
23		1110766-00	VZ= 18.0 5% 500M2 1N5248B D	2	D6,D14
24		1110968-00	SCR PIV= 100 IO= .80A 2N5062	3	D7-D9
25		1109991-00	VZ= 6.8 5% 400 MW 1N754A	1	D17
26		1115273-00	RECT,ULTRA FAST PIV= 200 IO= 3.0	2	D20,D22
27		1105871-00	VZ= 5.15 1% 250 MW	1	D26
28	BLANK		*** THIS ITEM IS NOT USED ***		

REVISION HISTORY		BASIC PART NO: 5413601		DRN: J.LENT		DATE: 3-JAN-79		D I G I T A L	
ENG:	ECO NUMBER	REV	SECTION A OF A	CHK'D:	F.GERRY	DATE:	19-JUL-79	PARTS LIST	
	INITIAL	B	SECTION VARIATION INDEX	DES.ENG:	J.A.HERRMANN	DATE:	19-JUL-79	TITLE	
	RW 5413601-TW001	C	[A] 00	RESP.ENG.:	J.A.HERRMANN	DATE:	19-JUL-79	LOGIC INVERTER CONTROL BD	
	RH 5413601-TW002	D	[B]	MFG.ENG.:	F.MUNIZ	DATE:	19-JUL-79	DOCUMENT NUMBER	
	RH 5413601-TW003	E	[C]	ASSEMBLY NUMBER:	D-UA-5413601-0-0	TOP DOCUMENT NUMBER:		SIZE: CODE: NUMBER	
	KK 5413601-TW004	F	[D]			PL	5413601-0-DBP	REV	
	RW 5413601-TW005	H	[E]			K		H	
			[F]					FILE NAME:	
			[G]					Z0400H.PLS	
			[H]					EDIT #:	
			[I]					32	
			[J]						
			[K]						
			[L]						
			[M]						
			[N]						
"THIS DRAWING AND SPECIFICATIONS HEREIN, ARE THE PROPERTY OF DIGITAL EQUIPMENT CORPORATION AND SHALL NOT BE REPRODUCED OR COPIED OR USED IN WHOLE OR IN PART AS THE BASIS FOR THE MANUFACTURE OR SALE OF ITEMS WITHOUT WRITTEN PERMISSION. COPYRIGHT (C) 1983. DIGITAL EQUIPMENT CORPORATION"									

LINE ITEM	DOCUMENT NUMBER	PART NUMBER	DESCRIPTION	QTY PER VARIATION	REFERENCE DESIGNATOR
29		1211728-00	CONN,P+S 01SKT	14	J2,J3
30		1216112-01	PCB,HEADER 28POS(1X28).156CC 90D	1	J1
31		1302751-00	30.0	1	R1
32		1301317-00	10.0	1	R2
33		1301775-00	820.0	3	R3,R18,R23
34		1312928-00	51.0	2	R4,R5
35		1310382-00	2.70	1	R6
36		1300364-00	1.0	7	R7,R8,R26,R42,R44,R103,R130
37		1300347-00	680.0	2	R9,R10
38		1300365-00	1.0	3	R41,R45,R128
39		1300391-00	1.50	8	R12,R13,R16,R85,R86,R98,R100,
					R101
					R17,R133
40		1300309-00	390.0	2	R19,R22
41		1302377-00	39.0	2	R20,R24,R63
42		1300229-00	100.0	3	R21,R25
43		1300271-00	220.0	2	R27,R52
44		1305872-00	10	2	R28,R32
45		1301952-00	1.0	2	
46			1.0	2	
47		1314023-00	47.0	2	R31,R33
48		1309855-00	300.0	1	R34
49		1301421-00	15.0	1	R37,R39
50		1305143-00	825.0	1	R65
51		1302383-00	360.0	1	R43
52		1300394-00	1.50	1	R46
53		1303438-00	121.0	1	R47
54		1300316-00	470.0	7	R49,R64,R83,R99,R104,R129,R82
55		1305405-00	24.90	2	R50,R118
56		1305337-00	3.65	1	R51
57		1312989-00	17.80	2	R53,R54
58		1313151-00	3.60	1	R126
59		1302873-00	261.0	1	R55
60		1305356-00	8.0	2	R56,R114
61		1305129-00	8.0	1	R57
62		1312930-00	5.10	5	R48,R66,R67,R90,R127
63		1300444-00	3.90	5	R60,R68,R69,R91,R94
64		1302466-00	100.0	1	R61
65		1301401-00	750.0	1	R62
66			20.0	2	R77,R74
67		1302391-00	3.74	1	R70
68		1312452-00	75.0	1	R88
69		1313344-00	90.90	1	R72
70		1311320-00	4.0	2	R73,R113
71		1304728-00	3.30	3	R75,R105,R115
72		1300439-00	36.0	1	R76
73		1312932-00	47.50	1	R78
74		1301459-00	33.0	1	R79
75		1300195-00			

D	I	G	I	T	A	L	TITLE	SECTION	A	OF	A	SIZE	CODE	DOCUMENT NUMBER	REV
							LOGIC INVERTER CONTROL BD	A				K	PL	5413601-0-DBP	H

LINE ITEM	DOCUMENT NUMBER	PART NUMBER	DESCRIPTION	QTY PER VARIATION	REFERENCE DESIGNATOR
76		1305322-00	7.50 K .25 W 1.0 % RN55D-F10	7	R80, R81, R107, R108, R87, R102, R71
77		1302388-00	2.0 K .25 W 5.0 % CF	2	R59, R84
78		1305421-00	35.70 K .25 W 1.0 % RN55D-F10	1	R89
79		1305325-00	8.25 K .25 W 1.0 % RN55D-F10	1	R92
80		1305127-00	4.0 K .25 W 1.0 % RN55D-F10	2	R93, R124
81		1305432-00	5.11 K .25 W .10% RN55E-B 2	2	R95, R117
82		1314041-00	3.01 K .25 W 1.0 % RN55D-F10	1	R96
83		1300292-00	300.0 1.0 W 5.0 % CC	1	R97
84		1304865-00	1.0 K .25 W .10% RN55E-B 2	4	R109-R112
85		1300250-00	150.0 .25 W 5.0 % CF	1	R119
86		1303313-00	12.10 K .25 W 1.0 % RN55D-F10	1	R120
87		1312565-00	13.30 K .25 W 1.0 % RN55D-F10	1	R121
88	BLANK		*** THIS ITEM IS NOT USED ***	-	
89	BLANK		*** THIS ITEM IS NOT USED ***	-	
90		1302381-00	200.0 .50 W 5.0 % CF	1	R131
91		1300257-00	150.0 2.0 W 5.0 % CC	1	R132
92		1301522-00	27.0 .25 W 5.0 % CF	1	R134
93		1301972-00	270.0 .25 W 5.0 % CF	1	R135
94		1510705-00	XA .05 NPN 500MW SI 60 50 P	5	Q1-Q4, Q12
95		1514271-01	D 44Q5 NPN 31W SI225 30	4	Q5-Q8
96		1510706-00	XA 55 PNP 500MW SI 60 50 P	4	Q9, Q10, Q16, Q20
97		1510959-00	2N 3725 NPN 3.5WC SI 50 60 P	4	Q11
98		1513490-00	2N 4403 PNP 350MW SI-40 30	1	Q13, Q19
99		1516121-00	MPS A92 PNP 625MW SI300 25	2	Q15
100		1513489-00	2N 4401 NPN 350MW SI 40 20	1	Q17, Q18, Q21, Q22
101		1505867-00	SCR PIV= 50 IO= 8.00A 2N4441	4	D10, D13
102		1616213-00	450.0 UH 4 A	2	L1, L2
103		1912108-00	339 VOLT CMPRTR, QUAD	2	E1, E4
104		1912107-00	324 OP AMP, QUAD	2	E2
105		1914250-00	3524 MODULATOR-REGULATING	1	E3
106		7422047-01	HEAT SINK DOUBLE	2	R58
107		1301424-00	680.0 .25 W 5.0 % CF	1	
108		9006039-01	SCREW, MACH PAN PHIL 8-	2	
109		9006660-00	WASHER, FLAT SST	4	
110		9006690-00	WASHER, HELICAL SPLIT SST	2	
111		1303177-00	2.40 K .25 W 5.0 % CF	1	R116
112		9006011-01	SCREW, MACH PAN PHIL 4-	4	
113		9009769-00	WASHER, RECTNGLR STEEL	4	
114		9006556-00	NUT, HEX 4-40X .264AF SS/N	4	
115		9006688-00	WASHER, HELICAL SPLIT SST	4	
116		9010128-00	SCREW, TAP PAN PHIL THD RL 4-	4	
117		9007201-00	PAD, MOUNTING, COMPONENT	4	
118		9008268-00	COMPOUND, THERMAL JOINT	1	C23
119		1314516-00	200.0 K .25 W 5.0 % CF	A/R	
120		1313592-00	4.87 K .25 W 1.0 % RN55D-F10	1	R123
121		9105740-55	WIRE(WRAP) 30AWG KYNAR UL14	A/R	R125
122	BLANK		*** THIS ITEM IS NOT USED ***	-	
123	BLANK		*** THIS ITEM IS NOT USED ***	-	

D	I	G	I	T	A	L	TITLE	LOGIC INVERTER CONTROL BD	SECTION A OF A	SIZE	CODE	DOCUMENT NUMBER	REV
										K	PL	5413601-0-DBP	H

AUTOMATED BY PRTLST.3G(17)

P A R T S L I S T

SHEET A4 OF A4

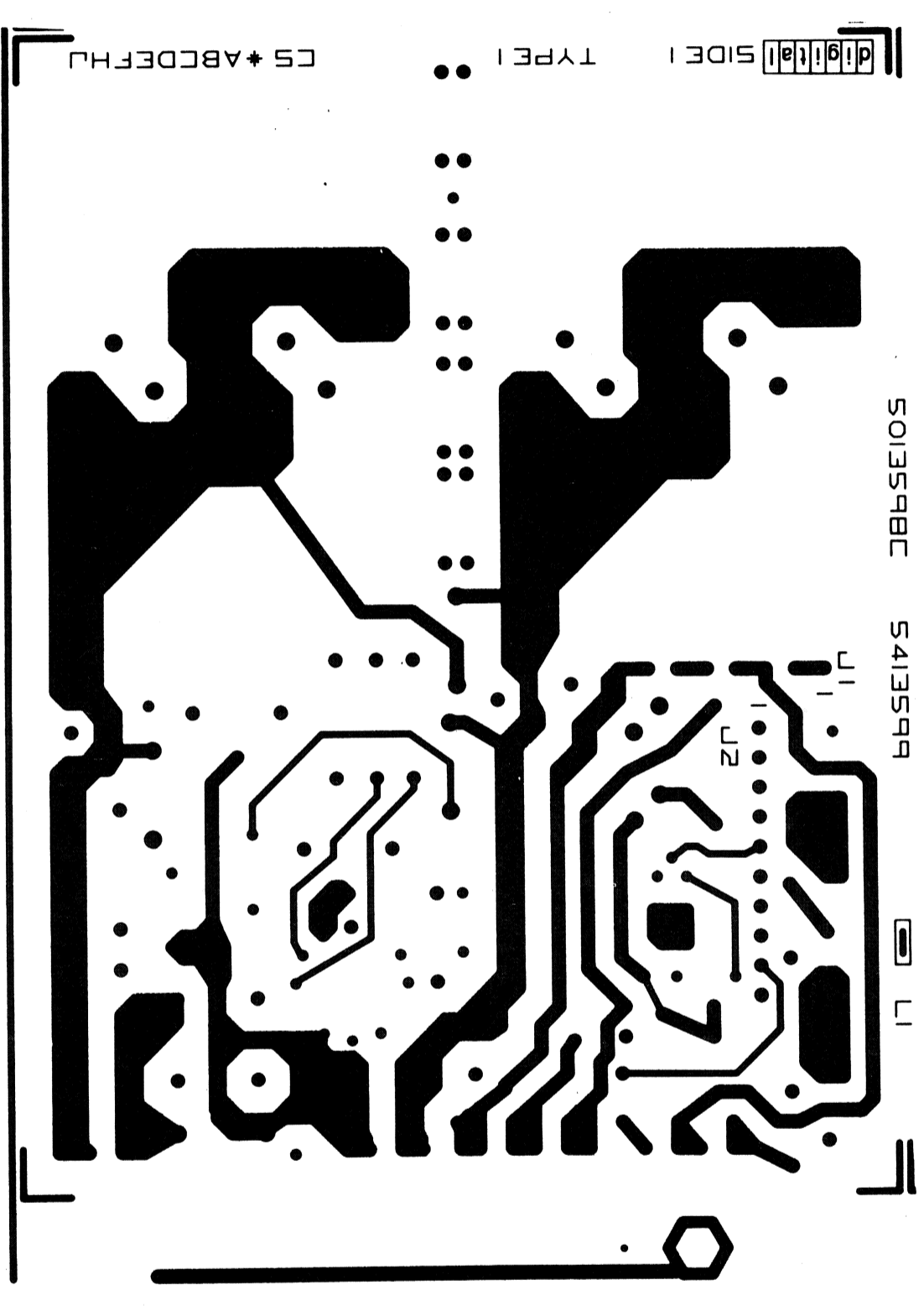
LINE ITEM	DOCUMENT NUMBER	PART NUMBER	DESCRIPTION	QTY PER VARIATION	REFERENCE DESIGNATOR
124	124	1309293-00	866.0 .25 W .10% RN55E-B 2	1	R106
125	125	1302379-00	75.0 .25 W 5.0% CF	2	R38,R40
126	126	9107560-03	WIRE,BUSS 18AWG TIN BARE	A/R	
127	127	1510706-01	B 55 PNP 500MW SI 60 50	1	Q14
128	128	1011740-03	1500.0 MMF 50V 10% CER	1	C44
129	129	9107256-11	TUBING,TEFLON .027ID	A/R	

130 NOTE: ITEM #121: .52' IS USED.

D	I	G	I	T	A	L	TITLE	SECTION A OF A	SIZE CODE	DOCUMENT NUMBER	REV
YGRK	HH	14					LOGIC INVERTER CONTROL BD		K	PL 5413601-0-DBP	H

THIS DRAWING AND SPECIFICATION, HEREIN, ARE THE PROPERTY OF DIGITAL EQUIPMENT CORPORATION, AND SHALL NOT BE REPRODUCED OR USED IN WHOLE OR IN PART FOR ANY OTHER PROJECT WITHOUT WRITTEN PERMISSION OF CORP. © 1979 DIGITAL EQUIPMENT CORPORATION.

8 7 6 5 4 3 2 1



D 0-0-6653115 DUA 2

D 5413599-0-0 D

REVISIONS	
CHK	CHANGE NO
	REV

TITLE	LOGIC INVERTER BOARD	SIZE CODE	D UA	NUMBER	5413599-0-0	REV.	D
SCALE	1/1	SHEET	2	OF	4	DIST.	TW

8 7 6 5 4 3 2 1

5413599-0-0

5413599-0-0

5413599-0-0

5413599-0-0

5413599-0-0

5413599-0-0

5413599-0-0

5413599-0-0

5413599-0-0

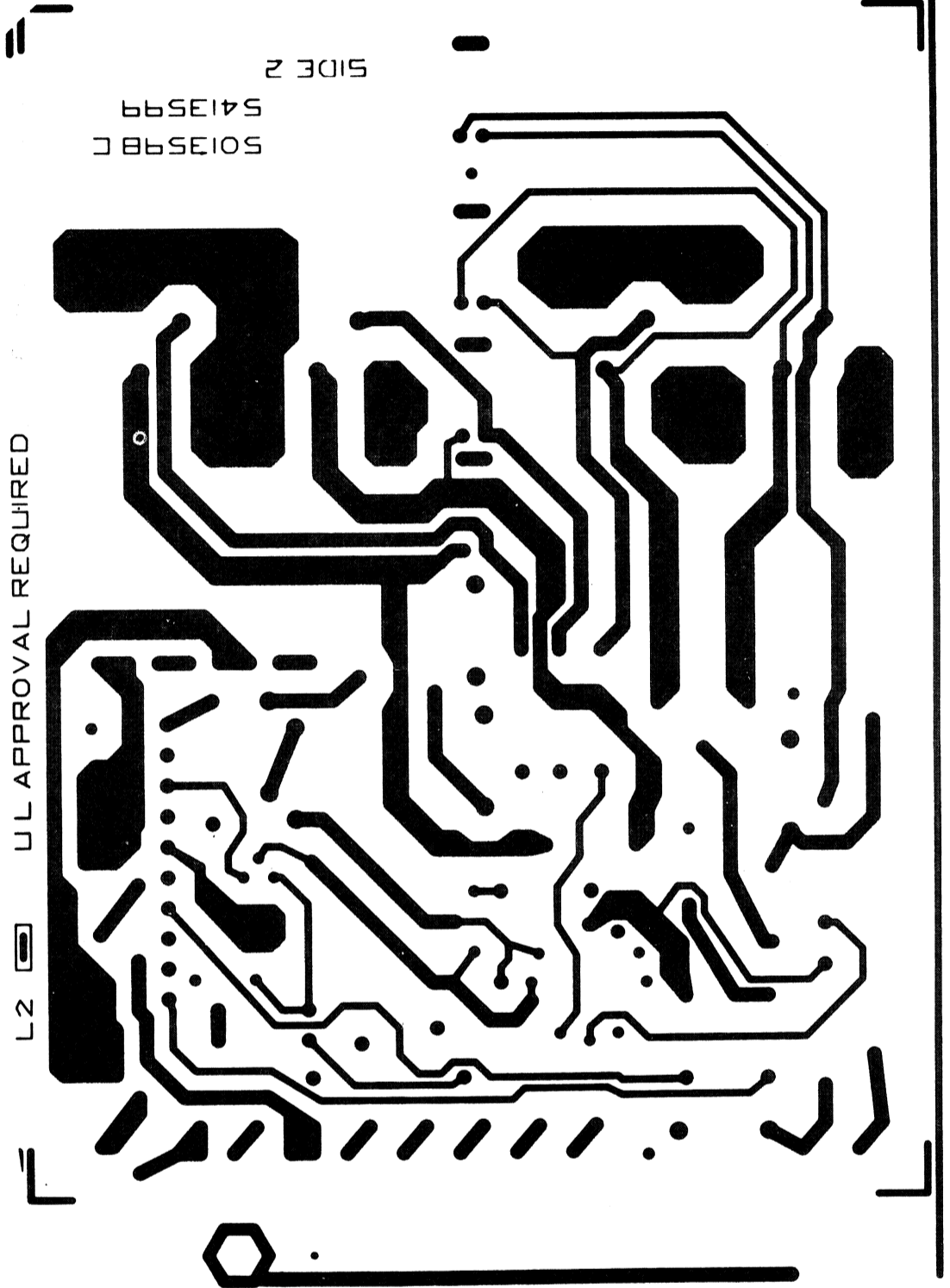
5413599-0-0

5413599-0-0

5413599-0-0

5413599-0-0

ALL RIGHTS RESERVED. THIS DRAWING IS THE PROPERTY OF THE COMPANY AND IS NOT TO BE REPRODUCED OR TRANSMITTED IN ANY FORM OR BY ANY MEANS, ELECTRONIC OR MECHANICAL, INCLUDING PHOTOCOPYING, RECORDING, OR BY ANY INFORMATION STORAGE AND RETRIEVAL SYSTEM. WITHOUT PERMISSION IN WRITING FROM THE COMPANY, NO PART OF THIS DRAWING IS TO BE REPRODUCED OR TRANSMITTED IN ANY FORM OR BY ANY MEANS, ELECTRONIC OR MECHANICAL, INCLUDING PHOTOCOPYING, RECORDING, OR BY ANY INFORMATION STORAGE AND RETRIEVAL SYSTEM.



L2 UL APPROVAL REQUIRED

5413599 C
5413599

SIDE 2

REVISIONS	
NO.	DATE

TITLE LOGIC INVERTER BOARD

SCALE 2/1 SHEET 3 OF 4

SIZE CODE D UA NUMBER 5413599-0-0 REV. D

1 2 3 4 5 6 7 8

A

B

C

D

1

2

3

4

5

6

7

8

1

2

3

4

5

6

7

8

1

2

3

4

5

6

7

8

1

2

3

4

5

6

7

8

1

2

3

4

5

6

7

8

1

2

3

4

5

6

7

8

1

2

3

4

5

6

7

8

1

2

3

4

5

6

7

8

1

2

3

4

5

6

7

8

1

2

3

4

5

6

7

8

1

2

3

4

5

6

7

8

1

2

3

4

5

6

7

8

1

2

3

4

5

6

7

8

1

2

3

4

5

6

7

8

1

2

3

4

5

6

7

8

1

2

3

4

5

6

7

8

1

2

3

4

5

6

7

8

1

2

3

4

5

6

7

8

1

2

3

4

5

6

7

8

1

2

3

4

5

6

7

8

1

2

3

4

5

6

7

8

1

2

3

4

5

6

7

8

1

2

3

4

5

6

7

8

1

2

3

4

5

6

7

8

1

2

3

4

5

6

7

8

1

2

3

4

5

6

7

8

1

2

3

4

5

6

7

8

1

2

3

4

5

6

7

8

1

2

3

4

5

6

7

8

1

2

3

4

5

6

7

8

1

2

3

4

5

6

7

8

1

2

3

4

5

6

7

8

1

2

3

4

5

6

7

8

1

2

3

4

5

6

7

8

1

2

3

4

5

6

7

8

1

2

3

4

5

6

7

8

1

2

3

4

5

6

7

8

1

THIS DRAWING AND INFORMATION HEREON ARE THE PROPERTY OF THE UNITED STATES GOVERNMENT AND ARE TO BE REPRODUCED ON FORMS OF LEAD INSTEAD OF IN PAPER FOR THE MANUFACTURE OF LEAD COMPONENTS OF THE SAME DESIGN.

8 0-0-6695179 1

REWORK INSTRUCTION (ECO 1)

COMPONENT ADDS: SIDE 1

- 1-1 INSTALL R13 BY DRILLING ONE .055" HOLE AS SHOWN. (HOLE IS UNDERNEATH R13)
- 1-2 C5 AND R13 ARE CONNECTED BY TWISTING ONE LEAD OF R13 WITH ONE LEAD OF C5 AND SOLDERING. THE OTHER LEAD OF R13 IS TACK SOLDERED TO THE ETCH ON: SIDE 2 LEADING TO THE CATHODE OF D5. THE OTHER LEAD OF C5 IS CONNECTED TO THE ANODE OF D5. (SEE VIEW D-D)
- 1-3 R12 AND C4 ARE CONNECTED BY TWISTING ONE LEAD OF R12 WITH ONE LEAD OF C4 AND SOLDERING. THE OTHER LEAD OF R12 IS CONNECTED TO THE ANODE OF D6. THE OTHER LEAD OF C4 IS TACK SOLDERED TO J1-1 AND 2. (SEE VIEW E-E)

REMOVE INSTRUCTION (ECO 3)

COMPONENT DELETES: SIDE 1

- 3-1 REMOVE D10 DEC. PT. NO. 1112594-02
- 3-2 REMOVE R6 DEC. PT. NO. 1314172-01
- 3-3 REMOVE Q2
- 3-4 REMOVE Q3 } DEC. PT. NO. 1514195-00
- 3-5 REMOVE Q4 }
- 3-6 REMOVE Q5 }
- 3-7 REMOVE L4 DEC. PT. NO. 1112595-01
- 3-8 REMOVE L12
- 3-9 REMOVE D14 } DEC. PT. NO. 1112595-00
- 3-10 REMOVE D16 }
- 3-11 REMOVE D19 }
- 3-12 REMOVE D13 } DEC. PT. NO. 1114495-00
- 3-13 REMOVE D15 }
- 3-14 REMOVE D17 }
- 3-15 REMOVE D18 }

COMPONENT ADDS: SIDE 1

- 3-16 ADD D10 DEC. PT. NO. 1115273-01.
- 3-17 ADD R6 DEC. PT. NO. 1305290-00 (SEE 3-18)
- 3-18 ADD SPACEH. ITEM 47 DEC. PT. NO. 9009798 01 TO EACH LEAD OF R6.

COMPONENT ADDS: SIDE 1

- 3-19 ADD D4 DEC. PT. NO. 1115273-00
- 3-20 ADD D12
- 3-21 ADD D14 } DEC. PT. NO. 1105769-01
- 3-22 ADD D16 }
- 3-23 ADD D19 }
- 3-24 ADD L13 } DEC. PT. NO. 1105796-01
- 3-25 ADD D15 } REVERSE POLARITY FOR THESE 4 PARTS WHEN ASSEMBLING.
- 3-26 ADD D17 }
- 3-27 ADD D18 }
- 3-28 ADD D19 }
- 3-29 ADD Q2 } DEC. PT. NO. 1517365-00
- 3-30 ADD Q3 }
- 3-31 ADD Q4 }
- 3-31 ADD Q5 }

DATE	ECO NUMBER	REV.

TITLE
LOGIC INVERTER BOARD

DOCUMENT NUMBER
DUA 54-13599-0-0
SCALE 2/1
SHEET 4 OF 4

8 7 6 5 4 3 2 1

DUA 54-13599-0-0

TW 1

LINE ITEM DOCUMENT NUMBER

PART NUMBER

DESCRIPTION

QTY PER VARIATION

REFERENCE DESIGNATOR

LINE ITEM	DOCUMENT NUMBER	PART NUMBER	DESCRIPTION	QTY PER VARIATION	REFERENCE DESIGNATOR
1	D-MD-5013599-0-0	5013599-00	DRILL & ETCH BD	1	C1, C2
2		1011847-03	.0047 MFD 600V 10% POLYPROP	1	C3
3		1017913-00	.022 MFD 400V 20% M.POLYPROP	1	D9
4		1112594-01	A115B PIV=200 I=3A	1	D1, D7, D8, D11,
5		1112594-02	A115M PIV=600 I=3A	1	D12-D19
6		1105796-01	5796-1PIV=400 I=1A D041	1	D2, D3
7		1112595-01	A114B PIV=200 I=1A	1	D5, D6
8		1110491-20	IN 3891 PIV=200 I=12A D04 SI	1	F1, F2
9			*** THIS ITEM IS NOT USED ***		
10			FUSE, SUB-MINI 5.000A, 125V, A		
11			TERM, SOLDER .375DIA		
12			INSERT, THREAD		
13			PCB, HEADER 08POS (1X08) .200CC STR		J1
14			PCB, HEADER 01POS (1X01) .200CC STR		J2
15			TERM, SPADE .145STUD SOLDER		
16			HEAT SINKS, .25 W 5.0 %		R8
17			100.0		R4
18			1.0 K		R7
19			270.0		R2, R3, R9-R11
20			1.0		
21			270.0		
22			1.0		
23			30.0		
24			270.0		
25			2N 6678 NPN 175W SI		R1, R5
26			D 4405 NPN 31W SI 2225 30		R2-Q5
27			XFMR, CURRENT		T1
28			CHOKE, BALUN-COMMON MODE		T3, T4
29			PULSE, XFMR 20312 BASE DRIVE		
30			HEAT SINK, SINGLE		
30			HEAT SINK		
30			SCREW, MACH PAN PHIL		

REVISION HISTORY

ENG	ECO NUMBER	REV	SECTION A OF A	SECTION VARIATION INDEX	DRN	CHK'D	DATE	TITLE
RR	5413599-TM001	B		(A) 00	K. FRIEDGEN	F. GERRY	20-JUL-79	LOGIC INVERTER BD
RH	5413599-TM002	C		(B)	J. A. HERRMANN	J. A. HERRMANN	20-JUL-79	
RH	5413599-TM002	D		(C)	J. A. HERRMANN	J. A. HERRMANN	20-JUL-79	
RH	5413599-TM002	D		(D)	J. A. HERRMANN	J. A. HERRMANN	20-JUL-79	
KK	5413599-TM003	E		(E)	J. A. HERRMANN	J. A. HERRMANN	20-JUL-79	

DES. ENG.: J. A. HERRMANN
 RESP. ENG.: J. A. HERRMANN
 MFG. ENG.: F. MUNIZ
 ASSEMBLY NUMBER: D-UR-5413559-0-0
 DATE: 20-JUL-79
 TOP DOCUMENT NUMBER: K PL 5413599-0-DBP
 FILE NAME: Z0399E.PLS
 EDIT # 20

THIS DRAWING AND SPECIFICATIONS HEREIN, ARE THE PROPERTY OF DIGITAL EQUIPMENT CORPORATION AND SHALL NOT BE REPRODUCED OR COPIED OR USED IN WHOLE OR IN PART AS THE BASIS FOR THE MANUFACTURE OR SALE OF ITEMS WITHOUT WRITTEN PERMISSION.
 COPYRIGHT (C) 1982. DIGITAL EQUIPMENT CORPORATION

LINE ITEM	DOCUMENT NUMBER	DESCRIPTION	PART NUMBER	QTY	VARIATION	REFERENCE DESIGNATOR
31		SCREW, MACH PAN PHIL 4-40X .264AF SS/N 6-	9006025-01	8		
32		NUT, HEX	9006556-00	1		
33		WASHER, FLAT	9006656-00	4		
34		WASHER, HELICAL	9006688-00	1		
35		EYELET, FUNNEL	9006735-00	4		
36		WASHER, HELICAL	9007801-00	8		
37		WASHER, HELICAL	9007906-00	2		
38		NUT, HEX	9009005-00	2		
39		TERM, SOLDER	9009676-00	4		
40		WASHER, RECTNGLR	9009769-00	1		
41		SCREW, TAP PAN PHIL THD RL 4-	9010128-00	3		
42		WIRE, BUSS 18AWG	9107560-03	A/R		
43		COMPOUND, THERMAL JOINT	9008268-00	A/R		
44		680.0 MMF 1000V 5%200PPM MICA	1013280-00	2		C4, C5
45		47.0 1.0 W 5.0 % CC	1302199-00	2		R12, R13
46		UES1306 RECTIFIER 400V 5V 50NS	1115273-01	1		D10
47		SPACER, CLEAR HOLE RND CERAM .07	9009798-01	1		
48		UES 1304 RECTIFIER 200V 6A	1115273-00	1		D4

49 NOTE: ITEM #42; .19' IS USED.

DIGITAL TITLE LOGIC INVERTER BD SECTION A OF A

SIZE: CODE: DOCUMENT NUMBER: REV: K PL 5413599-0-DBP E