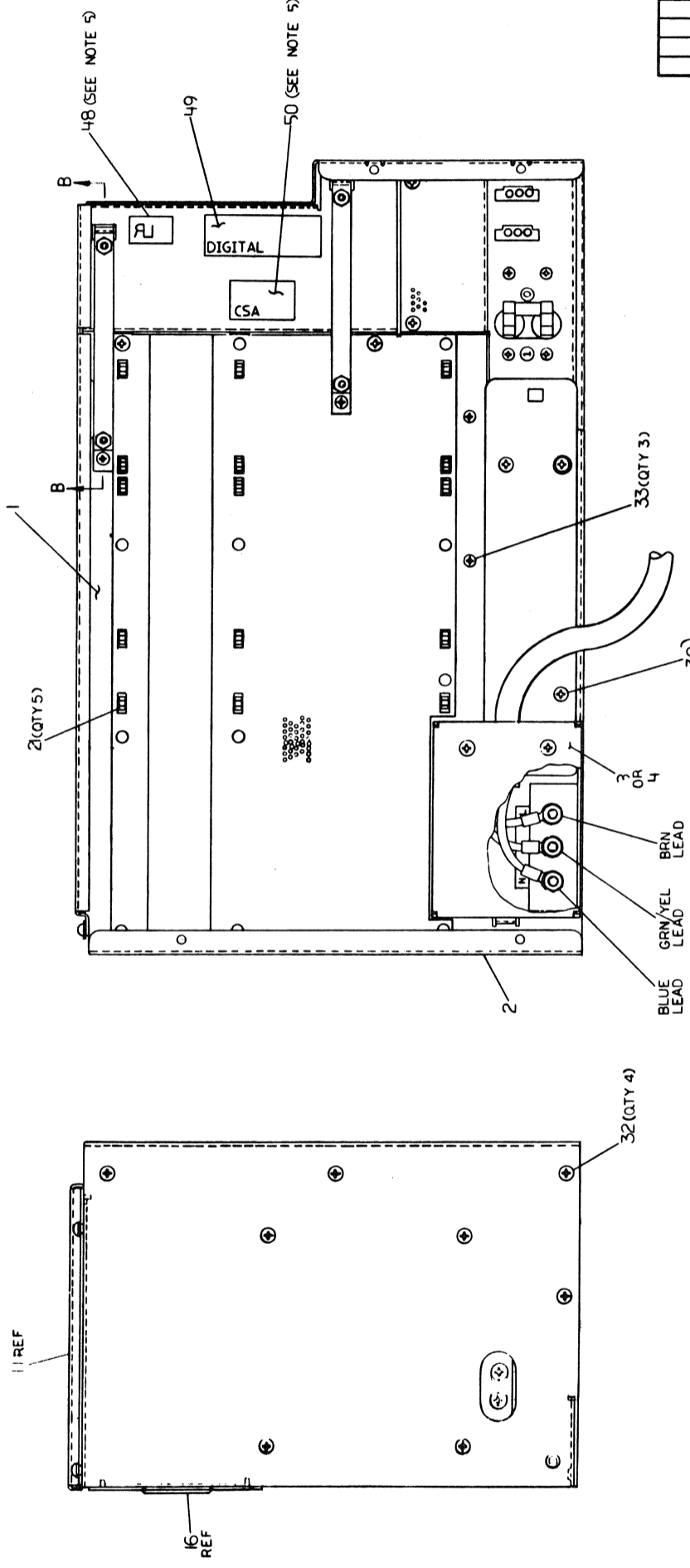
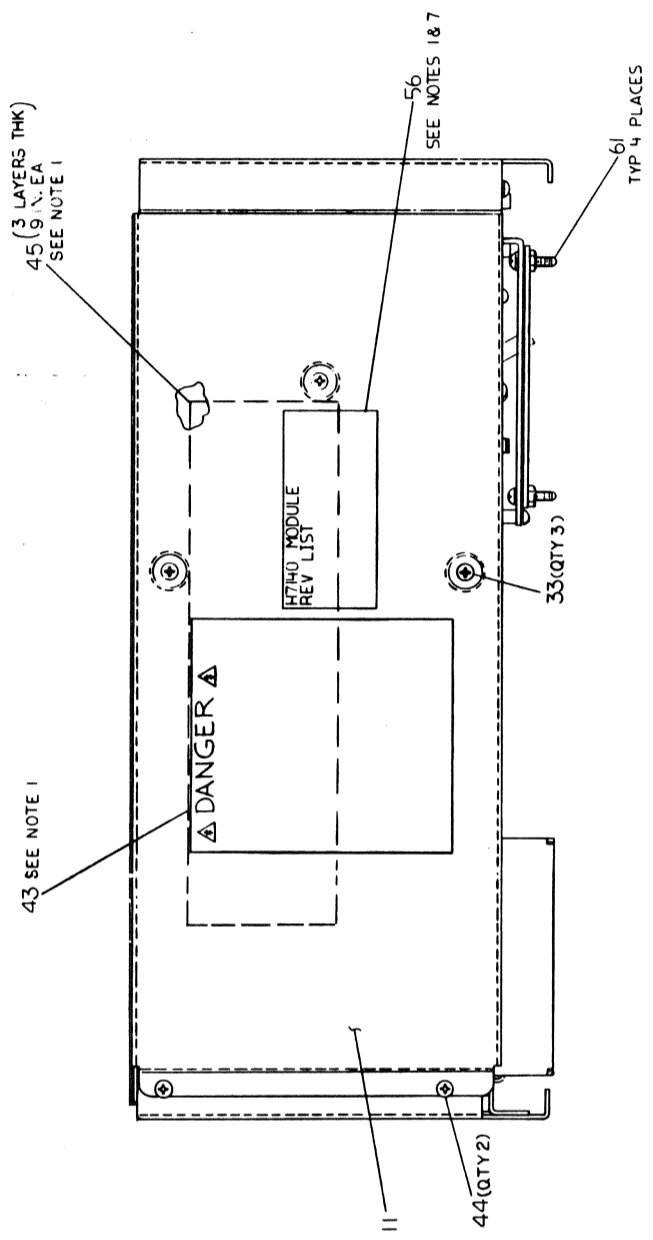




NOTES:

1. LOCATE APPROX. WHERE SHOWN.
2. INSTALL P2 ON J4 AND P1 ON J5.
3. INSTALL P1 ON J14.
4. ~~REMOVE WIRE FROM COVER AND DOWN TO AWG18-PINNING~~
5. EUROPE MAYBE EXEMPT FROM USING ITEM 48, AND 50
6. TO EXPEDITE THIS CHANGE IMPROVE NEW ITEM 51 (ELECTROMAGNETIC SHIELD) BY CUTTING 10 INCH DIMENSION OF DEC P/N 17000204 BACK TO 57.6 INCHES AND ADDING ELECTRICAL TAPE DEC P/N 9009260-00 TO INSULATE CUT EDGE
7. MARK ITEM 56 (REV. LABEL) WITH APPROPRIATE REV. OF MODULES INSTALLED. UPDATE AS NECESSARY.



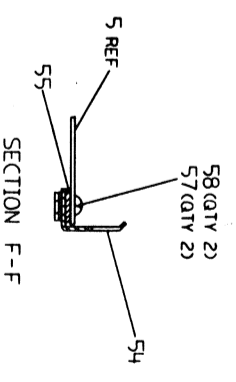
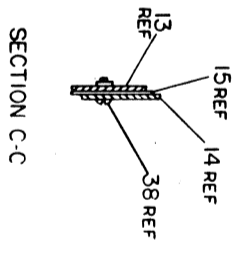
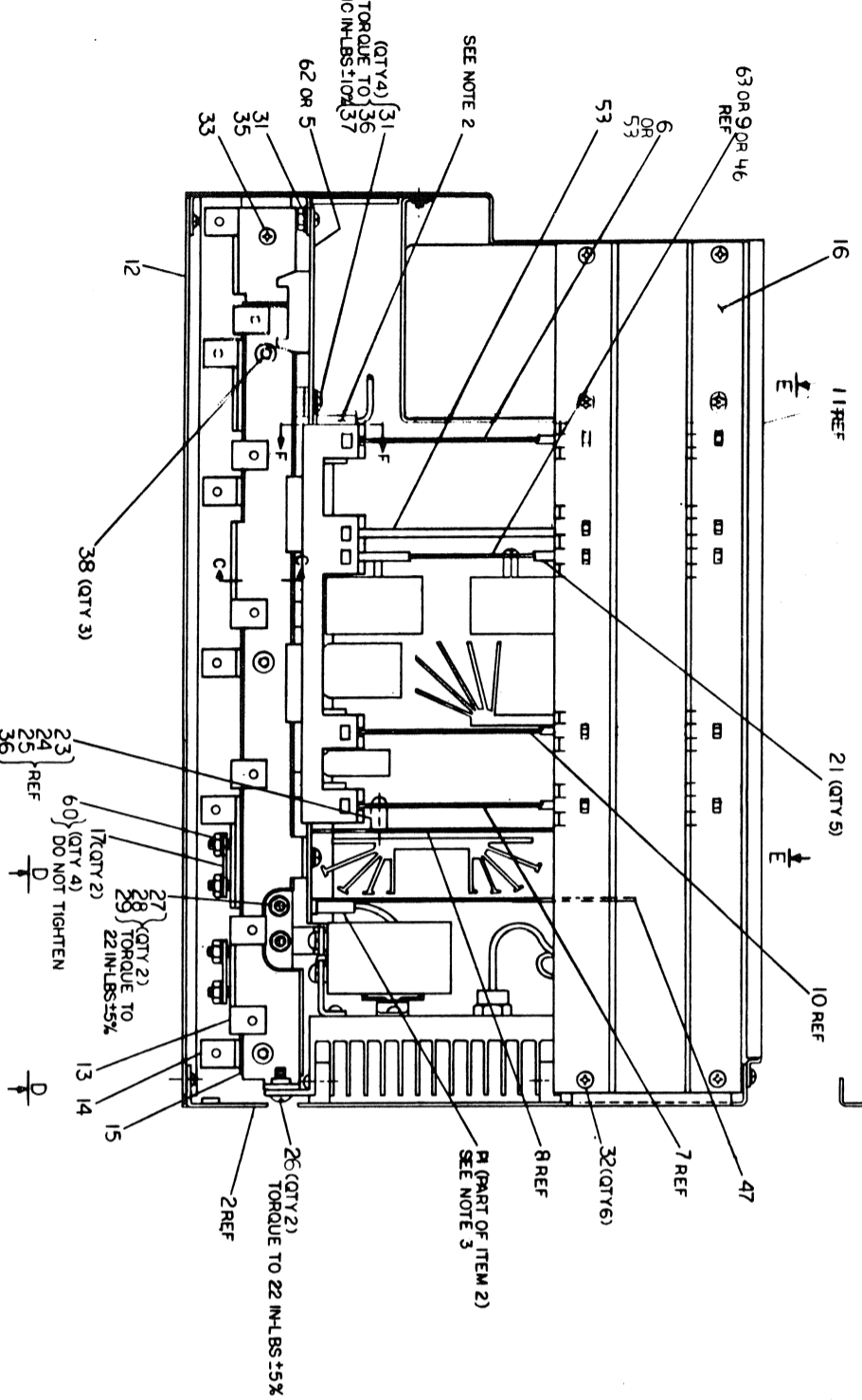
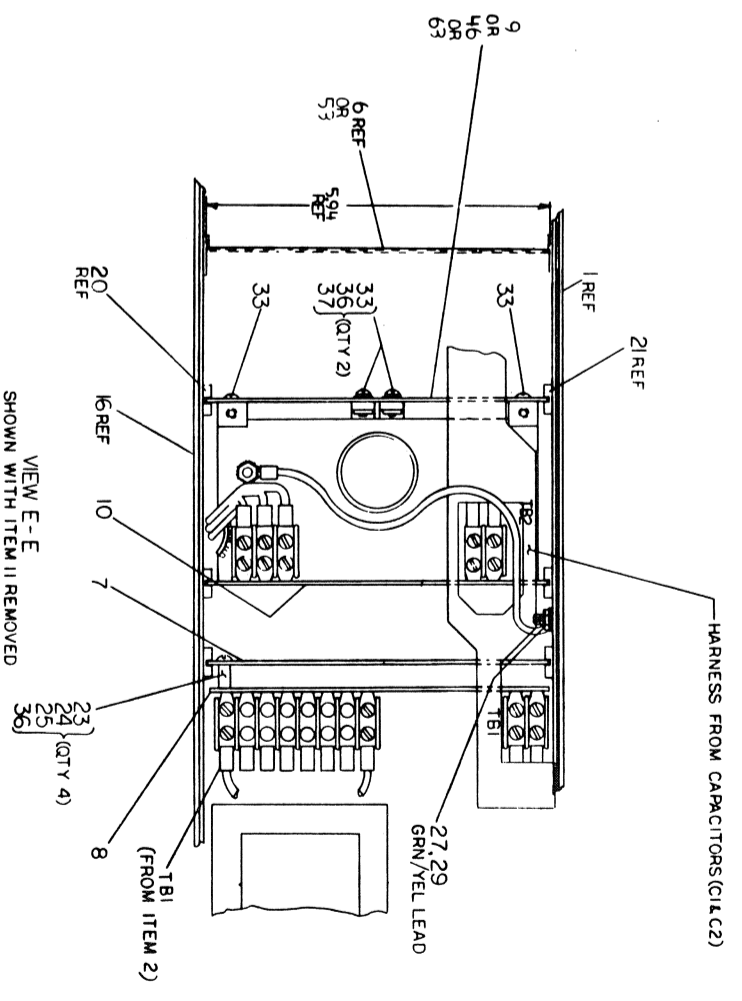
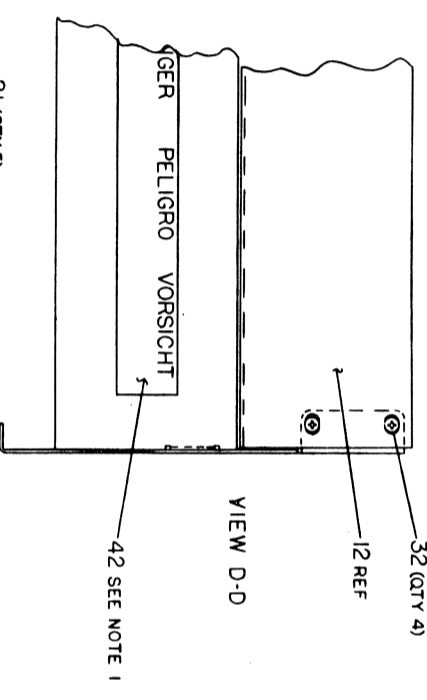
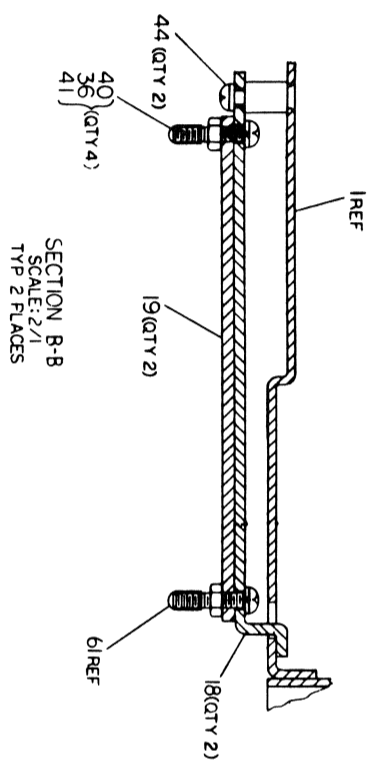
CAUTION: OFF SHEET PARTS LIST SEE K-PL-H714C-O-DBP (22993T)

DESCRIPTION	QUANTITY	UNIT	REV.
UNIT ASSY	1	UNIT	1
H7140	1	UNIT	1

REV.	DESCRIPTION	DATE	BY
1	INITIAL DESIGN	10/1/73	...
2
3
4
5
6
7
8
9
10
11
12
13
14
15
16
17
18
19
20
21
22
23
24
25
26
27
28
29
30
31
32
33
34
35
36
37
38
39
40
41
42
43
44
45
46
47
48
49
50
51
52
53
54
55
56
57
58
59
60
61
62
63
64
65
66
67
68
69
70
71
72
73
74
75
76
77
78
79
80
81
82
83
84
85
86
87
88
89
90
91
92
93
94
95
96
97
98
99
100

BLUE GRN/YEL LEAD
BRN LEAD

1. ALL DIMENSIONS ARE IN INCHES UNLESS OTHERWISE SPECIFIED.
 2. DIMENSIONS IN PARENTHESES ARE FOR REFERENCE ONLY.
 3. DIMENSIONS IN BRACKETS ARE FOR REFERENCE ONLY.
 4. DIMENSIONS IN SQUARE BRACKETS ARE FOR REFERENCE ONLY.
 5. DIMENSIONS IN CIRCLES ARE FOR REFERENCE ONLY.
 6. DIMENSIONS IN TRIANGLES ARE FOR REFERENCE ONLY.
 7. DIMENSIONS IN DIAMONDS ARE FOR REFERENCE ONLY.
 8. DIMENSIONS IN PARALLELOGRAMS ARE FOR REFERENCE ONLY.
 9. DIMENSIONS IN OVALS ARE FOR REFERENCE ONLY.
 10. DIMENSIONS IN OTHER SHAPES ARE FOR REFERENCE ONLY.



PART NUMBER: H7140-0-0
 UNIT ASSY: H7140-0-0
 DRAWING NUMBER: H7140-0-0

LINE ITEM	DOCUMENT NUMBER	PART NUMBER	DESCRIPTION	QUANTITY PER VARIATION									
				AA	AB	BA	BB	CA	CB	DA	DB		
1	E-AD-7016476-0-0	7016476-00	INPUT ASSY.	1	1	1	1	1	1	1	1	1	1
2	E-AD-7016054-0-0	7016054-00	OUTPUT PANEL ASSY.	1	1	1	1	1	1	1	1	1	1
3	D-AD-7016478-0-0	7016478-00	AC CABLE ASSY	1	1	1	1	1	1	1	1	1	1
4	D-AD-7016478-1-0	7016478-01	2201 H7140 AB, AC, CABLE	1	1	1	1	1	1	1	1	1	1
5	E-UA-5413615-0-0	5413615-00	H7140 MOTHER BOARD	1	1	1	1	1	1	1	1	1	1
6	D-UA-5413605-0-0	5413605-00	BIAS AND INTERFACE BOARD FOR 111	1	1	1	1	1	1	1	1	1	1
7	D-UA-5413601-0-0	5413601-00	LOGIC INVERTER BD	1	1	1	1	1	1	1	1	1	1
8	D-UA-5413599-0-0	5413599-00	LOGIC INVERTER BD	1	1	1	1	1	1	1	1	1	1
9	D-UA-5413607-0-0	5413607-00	MEMORY REGULATOR BD	1	1	1	1	1	1	1	1	1	1
10	D-UA-5413603-0-0	5413603-00	MEMORY INVERTER BD	1	1	1	1	1	1	1	1	1	1
11	D-MD-7422396-0-0	7422396-00	TOP COVER	1	1	1	1	1	1	1	1	1	1
12	D-MD-7421436-0-0	7421436-00	COVER	1	1	1	1	1	1	1	1	1	1
13	D-MD-7422042-0-0	7422042-00	45V BUS	1	1	1	1	1	1	1	1	1	1
14	D-MD-7422041-0-0	7422041-00	RETURN BUS	1	1	1	1	1	1	1	1	1	1
15	D-MD-7422044-0-0	7422044-00	BUS INSULATOR	1	1	1	1	1	1	1	1	1	1
16	D-MD-7425385-0-0	7425385-00	SHIELD	1	1	1	1	1	1	1	1	1	1
17	D-MD-7422731-0-0	7422731-00	MOUNTING BRACKET	1	1	1	1	1	1	1	1	1	1
18	C-MD-7423066-0-0	7423066-00	CABLE ROUTING BRKT.	2	2	2	2	2	2	2	2	2	2
19	B-MD-7423067-0-0	7423067-00	CABLE CLAMP	2	2	2	2	2	2	2	2	2	2
20	BLANK		*** THIS ITEM IS NOT USED ***	10	10	10	10	10	10	10	10	10	10
21	BLANK	1212405-04	GUIDE, CARD, NYLON, NATURAL	-	-	-	-	-	-	-	-	-	-
22	BLANK		*** THIS ITEM IS NOT USED ***	4	4	4	4	4	4	4	4	4	4
23		9006844-00	SPACER, THREADED HEX ALUM 6-3	4	4	4	4	4	4	4	4	4	4
24		9007794-01	SCREW, MACH PAN PHIL 6-	4	4	4	4	4	4	4	4	4	4
25		9008957-00	NUT, HEX 6-32X .246AF SS/N	8	8	8	8	8	8	8	8	8	8
26		9010119-00	SCREW, TRUSS PHIL 10-	2	2	2	2	2	2	2	2	2	2
27		9009005-00	NUT, HEX 10-32X .246AF SS/N	3	3	3	3	3	3	3	3	3	3
28	BLANK		*** THIS ITEM IS NOT USED ***	3	3	3	3	3	3	3	3	3	3
29		9007906-00	WASHER, HELICAL SPLIT STEEL	3	3	3	3	3	3	3	3	3	3
30		9006037-01	SCREW, MACH PAN PHIL 8-	2	2	2	2	2	2	2	2	2	2

REVISION HISTORY		BASIC PART NO: H7140		DRN: A. MOWRY		DATE: 15-AUG-79		D I G I T A L	
ENG	ECO NUMBER	REV	SECTION A OF A	CHK'D:	DATE:	SECTION	INDEX	REV	DATE:
---	INITIAL	F							
KK	TW008	J		R. RILEY	17-AUG-79				
RH	H7140-TW009	K							
KK	H7140-TW011	L							
KK	H7140-TW012	M							
KK	H7140-TW013	N							
AK	H7140-TW014	P							
KK	H7140-TW016	R							
KK	H7140-TW017	S							
PP	H7140-TW018	T							
CS	H7140-TW019	U							
KK	H7140-TW020	V							
KK	H7140-TW021	W							

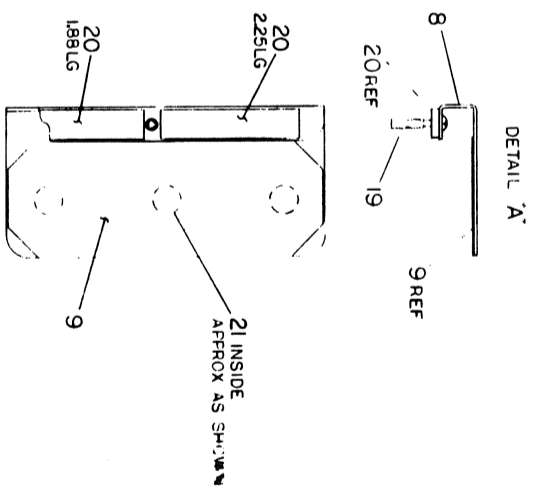
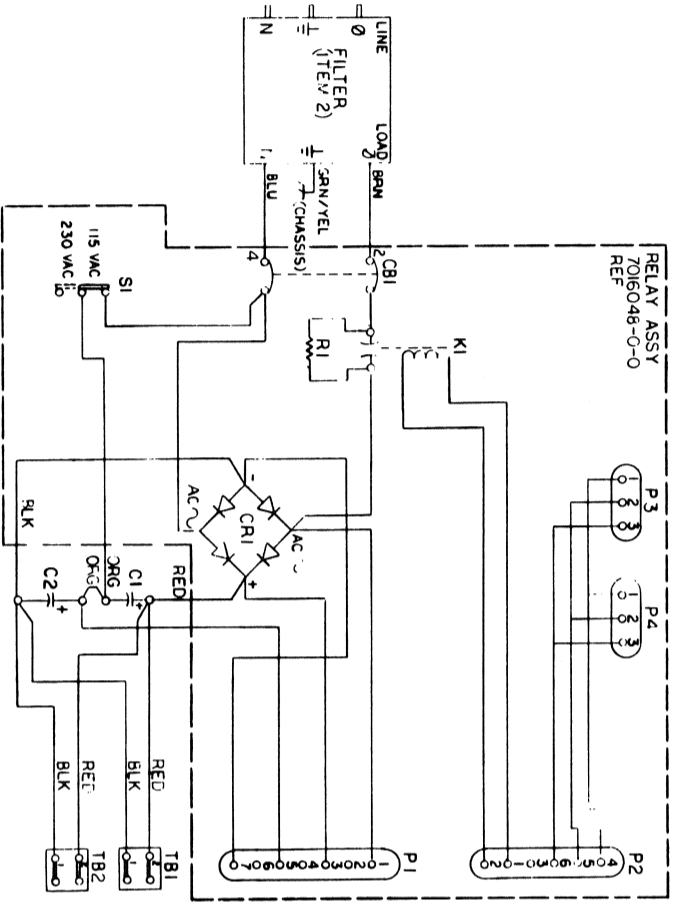
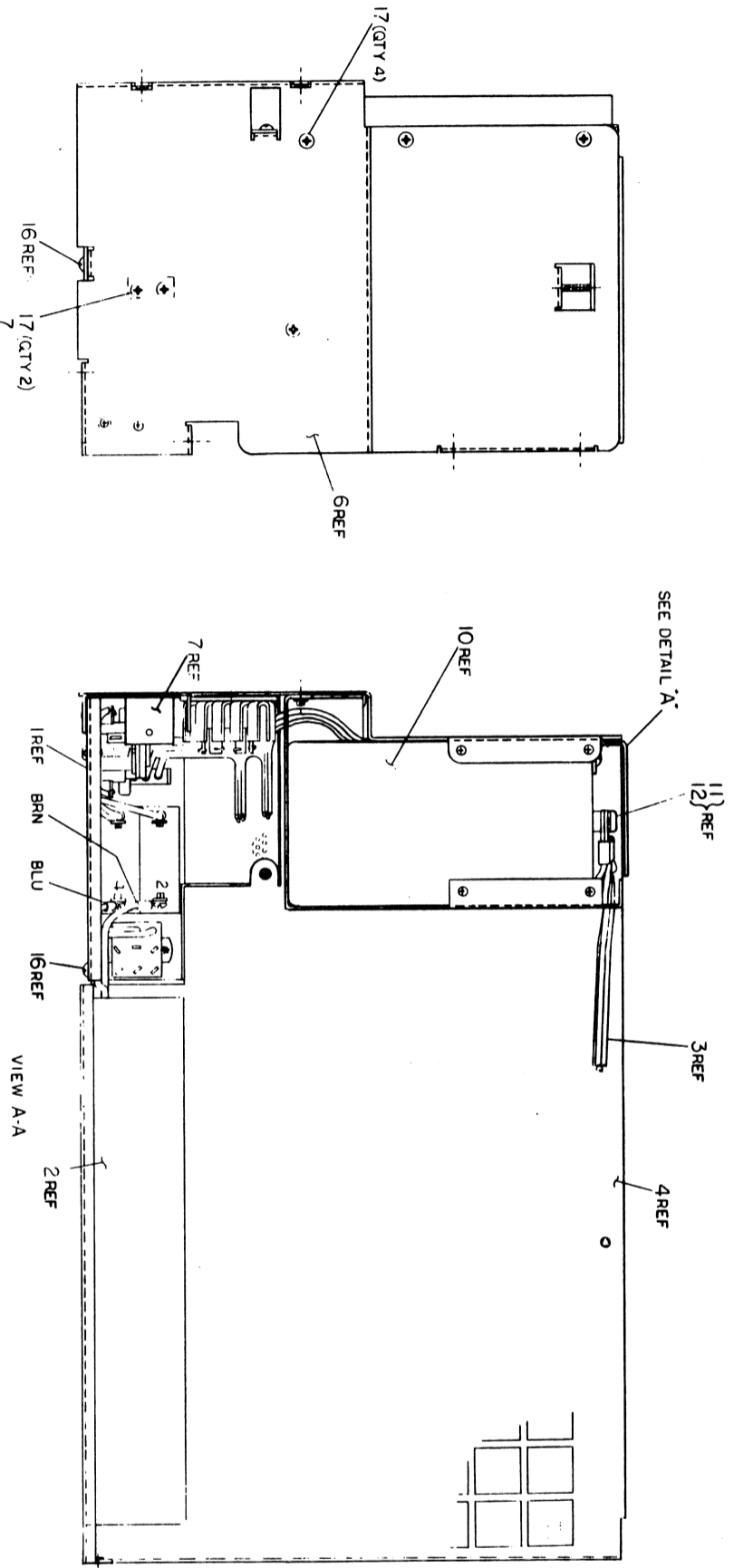
"THIS DRAWING AND SPECIFICATIONS HEREIN, ARE THE PROPERTY OF DIGITAL EQUIPMENT CORPORATION AND SHALL NOT BE REPRODUCED OR COPIED OR USED IN WHOLE OR IN PART AS THE BASIS FOR THE MANUFACTURE OR SALE OF ITEMS WITHOUT WRITTEN PERMISSION. COPYRIGHT (C) 1983. DIGITAL EQUIPMENT CORPORATION"

LINE	ITEM	DOCUMENT NUMBER	PART NUMBER	DESCRIPTION	QUANTITY	PER VARIATION	AA	AB	BA	BB	CA	CB	DA	DB
31			9006022-01	SCREW,MACH PAN	5	5								5
32			9009796-00	SCREW,TAP FLAT	14	14								14
33			9009708-00	SCREW,TAP PAN	11	11								11
34			9006690-00	WASHER,HELICAL	2	2								2
35			9009243-00	NUT,HEX EXT TOOTH LCKWSHR	1	1								1
36			9007801-00	WASHER,HELICAL	14	14								14
37			9006656-00	WASHER,FLAT	6	6								6
38			9008212-00	SCREW,NYLN PAN	3	3								3
39		BLANK	9009587-01	SCREW, NYLN PAN	4	4								4
40		BLANK		SCREW,TAP PAN	4	4								4
41		BLANK		SCREW,TAP PAN	4	4								4
42			3615087-02	SCREW,TAP PAN	1	1								1
43			3616930-00	SCREW,TAP PAN	1	1								1
44			9009701-00	SCREW,TAP PAN	4	4								4
45			9009087-00	SCREW,SEMS PAN	0	0								0
46		(SEE NOTE 1)	5413607-00	FOAM, TAPE, SINGLE SIDED	1	1								1
47		D-UA-5413607-0-0	7424586-00	MEMORY INVERTER BD.	1	1								1
48		B-MD-7424586-0-0	3612063-00	INSULATOR, HEATSINK	1	1								1
49			9009255-01	INSULATOR, HEATSINK	1	1								1
50			3613211-01	INSULATOR, HEATSINK	1	1								1
51		BLANK		MODULE,AIR FLOW SENSOR	1	1								1
52		BLANK		BRACKET,LOWER CARD GUIDE	1	1								1
53		BLANK	2019637-B1	INSULATOR,CARD GUIDE	1	1								1
54			7425384-00	INSULATOR,CARD GUIDE	1	1								1
55			7425386-00	INSULATOR,CARD GUIDE	1	1								1
56			3617664-00	INSULATOR,CARD GUIDE	1	1								1
57			9006010-01	SCREW,MACH PAN	2	2								2
58			9006557-00	NUT,HEX EXT TOOTH LCKWSHR	2	2								2
59			9010164-00	WASHER,FLAT	2	2								2
60			9006565-00	NUT,HEX EXT TOOTH LCKWSHR	4	4								4
61			9009731-00	CAP,WHT VINYL	4	4								4
62			5413605-YA	BIAS & INTERFACE BD	1	1								1
63			5413615-YA	H7140 MOTHER BOARD	1	1								1
64			5413607-YB	MEMORY REGULATOR BOARD	1	1								1

65 NOTE: 1. ITEM 45, ALL VARIATIONS ARE 2.25.

D	I	G	I	T	A	L	TITLE	SECTION	A	OF	A	SIZE	CODE	DOCUMENT NUMBER	REV
							H7140 UNIT ASSEMBLY	A				K	PL	H7140-0-DBP	M

701647C-0-C



NPWT ASSY
7016048-0-0

701647C-0-C

DIGITAL EQUIPMENT CORPORATION PARTS LIST

MADE BY A. MOWRY	CHECKED <i>[Signature]</i>	SECTION	
DATE 04-09-79	DATE 8/10/79	ISSUED SECTION	
ENG <i>[Signature]</i>	PROD F. MURPHY		
DATE 8-10-79	DATE 5/10/79		

ITEM NO.	DRAWING NO.	PART NO.	DESCRIPTION	QUANTITY / VARIATION	REF DESIGNATION
1	E-AD-7016048-0-0	7016048-00	RELAY ASSY	1	
2	C-IA-7016898-0-0	7016898-00	FILTER, RFI, ASSY	1	
3		1700245-00	CIRCUIT FLEX. FLAT POWER	1	
4	D-IA-7016926-0-0	7016926-00	CHASSIS ASSY, REAR	1	
5	D-MD-7421433-0-0	7421433-00	BRACKET, CAPACITOR	1	
6	D-MD-7421438-0-0	7421438-00	PANEL, SIDE	1	
7	B-MD-7423546-0-0	7423546-00	BLOCK, MTG	1	
8	B-MD-7422382-0-0	7422382-00	CLAMP, CAPACITOR	1	
9	B-MD-7422401-0-0	7422401-00	INSULATOR, CAPACITOR	1	
10		1014336-00	CAPACITOR, 4500 uf/200 VDC, E%	2	
11		9006072-01	SCR, PHL PAN HD SS #10-32 x .438 LG	4	
12		9007906-00	WASHER, SPLIT, LOCK #10	4	
13		9006037-01	SCR, PHL PAN HD SS #8-32 x .375 LG	2	
14		9006565-00	NUT, KEP CS/CAD #10-32 x 3/8 AF	1	
15		9006690-00	WASHER, SPLIT, LOCK #8	2	
16		9009708-00	SCREW, PHL PAN HD SELF TAP #6-32 x .312	6	
17		9009796-00	SCR, PHL FLAT HD SELF TAP #6-32 x .250	6	
18		3617016-00	LABEL, N-GROUND-I	1	
19		9010133-00	SCREW, PHILL PAN HD #8-32 x .88 LG	1	
20		9009342-00	FOAM TAPE ADH. BACK .50 x .125	.35 FT	
21		9009157-00	ADHESIVE, PERMABOND #101	A/R	
22		9009255-00	LABEL, POWER SUPPLY	1	
23		1216626-00	BLOCK, TERM, HIGH BARRIER	2	

NOTES:

E.C.O. NO. H7140-1
 H7140-1
 TW021
 TW021

THIS DRAWING AND SPECIFICATIONS, HEREIN, ARE THE PROPERTY OF DIGITAL EQUIPMENT CORPORATION AND SHALL NOT BE REPRODUCED OR COPIED OR USED IN WHOLE OR IN PART AS THE BASIS FOR THE MANUFACTURE OR SALE OF ITEMS WITHOUT WRITTEN PERMISSION. COPYRIGHT © 1979 DIGITAL EQUIPMENT CORPORATION

TITLE
INPUT ASSY

ASSY NO.
E-AD-7016476-00

SIZE CODE
B PL

NUMBER
7016476-0-0

SHEET 1 OF 1

INSERTION PARTS LIST DATA BASE REV

REV.
B

AUTOMATED BY PRLST.3P(44)

PARTS LIST

SHEET 02 OF 02

LINE ITEM DOCUMENT NUMBER

PART NUMBER

DESCRIPTION

QTY PER VARIATION

REFERENCE DESIGNATOR

28 NOTE: 1. QUANTITY FOR ITEM NUMBER 14 IS .33 FT.

LINE ITEM	DOCUMENT NUMBER	PART NUMBER	DESCRIPTION	QTY PER VARIATION	REFERENCE DESIGNATOR
D 14	IGITALL		OUTPUT PANEL ASSEMBLY		
					SECTION A OF A
					SIZE: CODE: K PL
					DOCUMENT NUMBER: 7016054-0-08P
					REV: A

DIGITAL EQUIPMENT CORPORATION PARTS LIST

MADE BY A. MOWRY	CHECKED BY <i>[Signature]</i>	SECTION
DATE 03/27/79	DATE 7/27/79	ISSUED SECTION
ENG <i>[Signature]</i>	PROD Manual	
DATE 7-27-79	DATE 7-31-79	

ITEM NO.	DRAWING NO.	PART NO.	DESCRIPTION	QUANTITY / VARIATION							NOTES:
1	D-IA-7016049-0-0	7016049-00	HARNNESS, A.C. INPUT	1							REF DESIGNATION
2	D-MD-7422040-0-0	7422040-00	BRACKET, INPUT	1							
3		1216688-00	HEAT SINK	1							
4		1216206-00	RELAY, PWR 12V COIL. SPST 30A	1							
5		1212124-01	CKT BKR, 2 P SERIES TRIP, 20A 240V	1							
6	C-IA-7016923-0-0	7016923-00	SWITCH ASSY	1							
7		1116216-00	BRIDGE RECTIFIER IF = 30A, 600V VR	1							
8		9006966-00	TERMINAL, P.C.B. 2 POS INS, TURRET	2							
9		1314848-00	RESISTOR 3 OHM 5% 7 WATT	1							
10		9000039-06	SCR, PHIL, FLAT HD #4-40 x .187	2							
11		9006020-01	SCR, PHIL, PAN HD #6-32 x .250	6							
12		9006021-01	SCR, PHIL, PAN HD #6-32 x .312	1							
13		9009243-00	NUT, KEP #6-32 x 5/16 AF S.S.	1							
14		9007801-00	WASHER, LOCK SS #6	7							
15		9107560-03	WIRE BUSS #18 AWG	.21							
16		9007036-00	GROMMET, CATERPILLAR	.25							
17		9009157-00	ADHESIVE, PERMABOND	A/R							
18		9007031-00	TIE, CABLE SST1-M	3							
19		9009255-00	LABEL, POWER SUPPLY	1							
20		3615680-00	LABEL, SWITCH POSITION, ADH BACK	1							

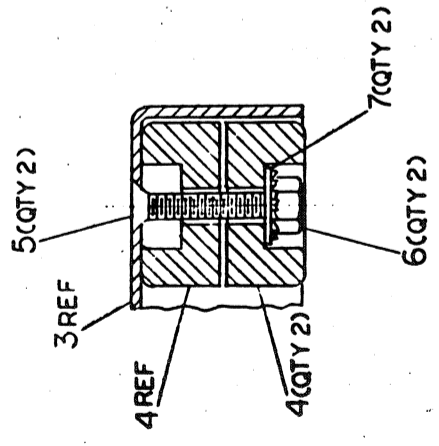
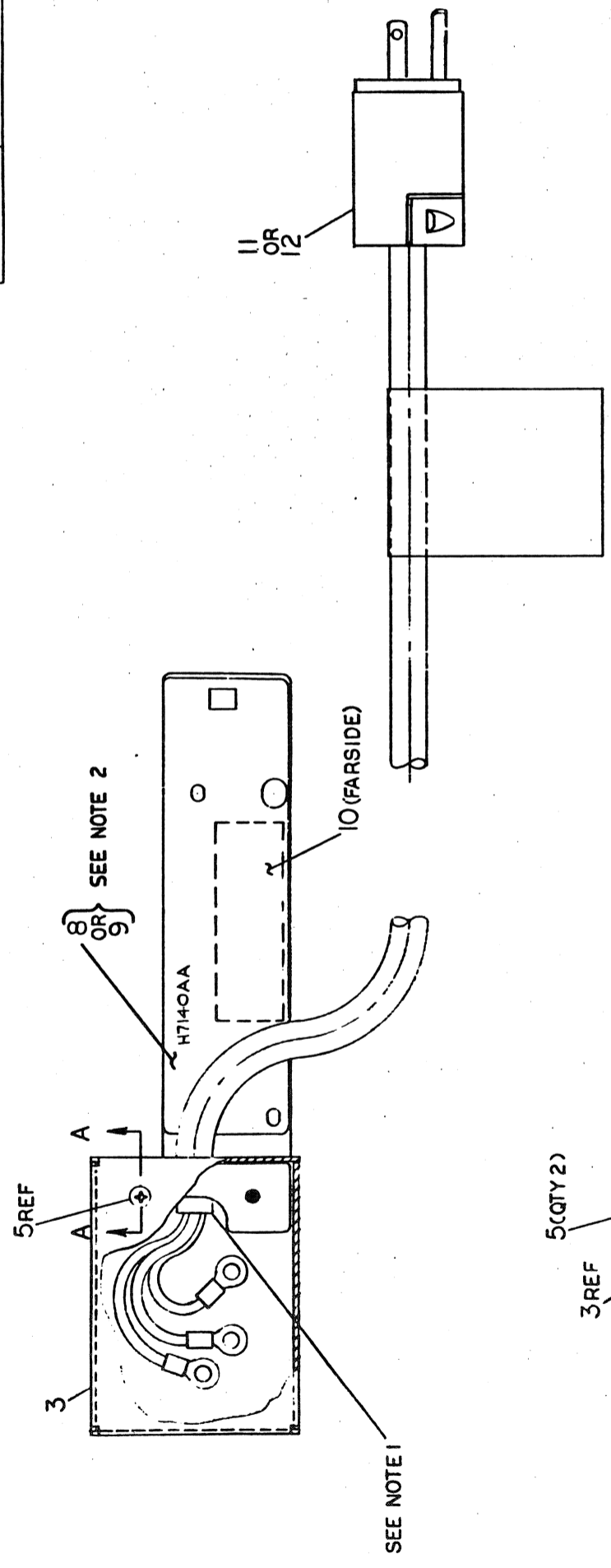
E.C.O. NO.	TITLE RELAY ASSY
"THIS DRAWING AND SPECIFICATIONS, HEREIN, ARE THE PROPERTY OF DIGITAL EQUIPMENT CORPORATION AND SHALL NOT BE REPRODUCED OR COPIED OR USED IN WHOLE OR IN PART AS THE BASIS FOR THE MANUFACTURE OR SALE OF ITEMS WITHOUT WRITTEN PERMISSION."	
ASSY NO. E-AD-7016048-0-0 SHEET 1 OF 1	
SIZE B CODE PL NUMBER 7016048-0-0	INSERTION PARTS LIST DATA BASE REV REV. *

8 7 6 5 4 3 2 1

PARTS LEGEND	
PART NO.	VARIATION
7016478-00	120V (H7140AA)
7016478-01	220V-240V (H7140AB)

NOTES:

1. OUTSIDE JACKET OF ITEM 1 OR 2 (LINE CORD) TO EXTEND APPROX .25 IN. BEYOND CLAMPING AREA OF ITEM 4 (CABLE CLAMP).
2. ALIGN THE THREE OBROUND HOLES IN ITEM 8 OR 9 WITH THE MATCHING OBROUND HOLES IN ITEM 3.



CAUTION: SEE OFF SHEET PARTS LIST K-PL-7016478-0-DBP, (25524, PLS).

QTY	DESCRIPTION	ITEM NO.
1	LABEL, PWR SUPPLY	9009255-00
1	LABEL, H7140AB (220-240V)	3616977-01
1	LABEL, H7140AA (120V)	3616977-00
2	WASHER, FLAT, 316SS, 1/8"	9006660-00
2	NUT, KEP #8-32, 1/2"	9006563-00
2	SCR, FLAT, PHIL #8-32, 1/2"	9006042-02
2	CLAMP, CABLE	216566-00
1	COVER, A.C.	D-MD-74280480-0
1	CORD ASSY, LINE (220-240V)	D-1A-7016907-18
1	CORD ASSY, LINE (120V)	D-1A-7016907-00

QUANTITY & VARIATION	DESCRIPTION	DWG. PART NO.	ITEM NO.
1	7016478-01		
1	7016478-01		

DRG. NO.	REV.	DATE	BY	CHKD.	APP'D.	TITLE
5-16-79		5/16/79				H7140
5-16-79		5/16/79				POWER CORD ASSY

SIZE	CODE	NUMBER	REV.
E-1A	H7140-0-0	AD7016478-0-0	B

DESIGNED	CHKD.	APP'D.	DATE
H. COOK			12-10-82
			12-10-82

THIS DRAWING AND SPECIFICATIONS, HEREIN, ARE THE PROPERTY OF THE UNITED STATES GOVERNMENT AND ARE NOT TO BE REPRODUCED OR TRANSMITTED IN ANY FORM OR BY ANY MEANS, ELECTRONIC OR MECHANICAL, INCLUDING PHOTOCOPYING, RECORDING, OR BY ANY INFORMATION STORAGE AND RETRIEVAL SYSTEM, WITHOUT PERMISSION IN WRITING FROM THE UNITED STATES GOVERNMENT. DATE OF ISSUE: 1979.

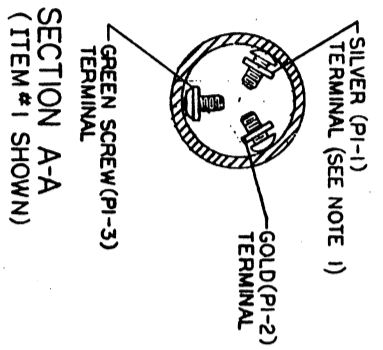
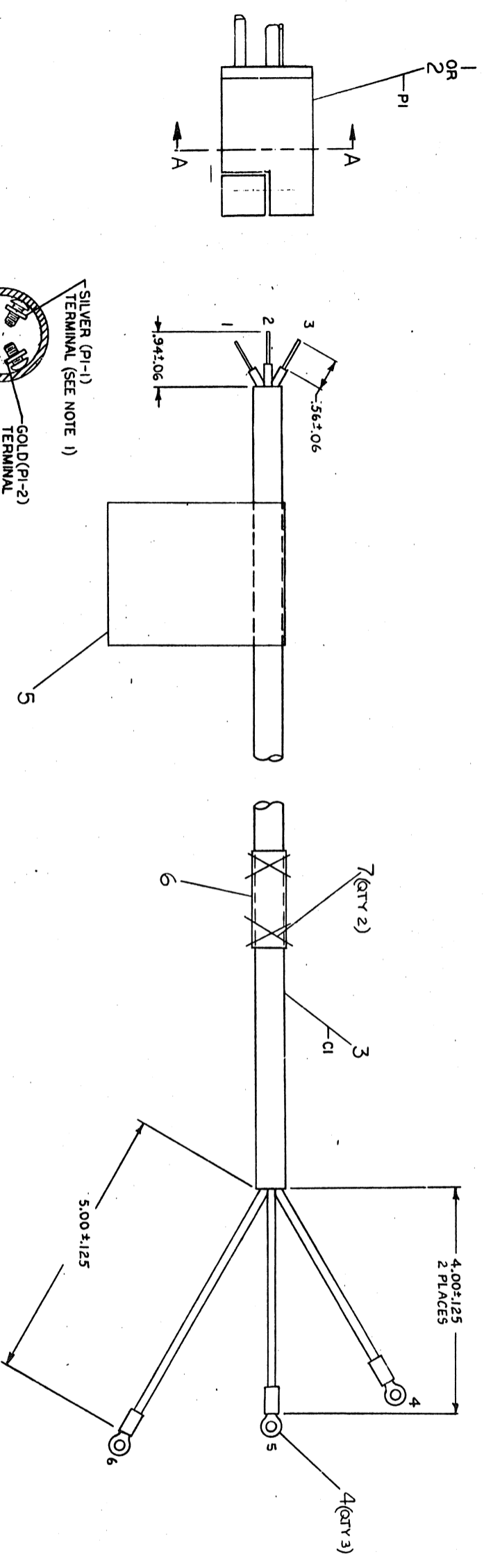
WIRING TABLE

ITEM	DESCRIPTION	TO	FROM	LENGTH
3	14 GRN/VEL	CI-1	CI-6	9'5.0"±2.0"
3	14 BLU	CI-2	CI-5	9'4.0"±2.0"
3	14 BRN	CI-3	CI-4	9'4.0"±2.0"

PARTS LEGEND

PART NUMBER	VARIATION
7016907-00	120V
7016907-01	220V-240V

NOTES:
 1. TERMINAL P1-1 SILVER ON 120 V (125/133-CO) VARIATION ONLY. ON 230V VARIATIONS (200/233-CO) P1-1 & P1-2 ARE GOLD.
 2. AFTER ASSY. COIL ITEM 3 (PWR. CORD)
 3 TIMES LEAVING ENDS APPROX 18 INCHES EACH SIDE, CABLE TIE ENDS TOGETHER USING ITEM 7.



REVISIONS

REV.	CHANGE NO.
OK	

QTY	DESCRIPTION	QTY	DESCRIPTION	QTY	DESCRIPTION
3	CABLE TIE SSTI-M	9007031-00	7		
1	LABEL CABLE IDENT.	9009532-C0	6		
1	LABEL AC LINE CORD WARNING	3611448-00	5		
3	TERM. RING, 1 POS, INS, 14AWG	9007928-00	4		
3	POWER CORD, 14-3, 15A, 300V	1700027-01	3		
1	CONN. PWR PLUG NEMA 6-15P	9008853-00	2		
1	CONN. PWR PLUG NEMA 5-20P	1215183-00	1		

UNLESS OTHERWISE SPECIFIED DIMENSIONS ARE IN INCHES

APPROVED: [Signature] DATE: 5/17/79

DRG. NO. H7140

TITLE: LINE CORD ASSY

CHK'D: [Signature] DATE: 7/1/79

ENGR. [Signature] DATE: 7/1/79

PROJ. ENGR. [Signature] DATE: 7/1/79

PROJ. T. [Signature] DATE: 7-12-79

NEXT HIGHER ASST.:

D-AD-7016-478-0-0

SCALE: NONE

SIZE: CODE D

NUMBER: AD 7016907-0-0

REV.:

SHEET: 1 OF 1

FINISH: TV

8 7 6 5 4 3 2 1

COMPONENT SIDE VIEW

* DUA5413663-C-0

3

4

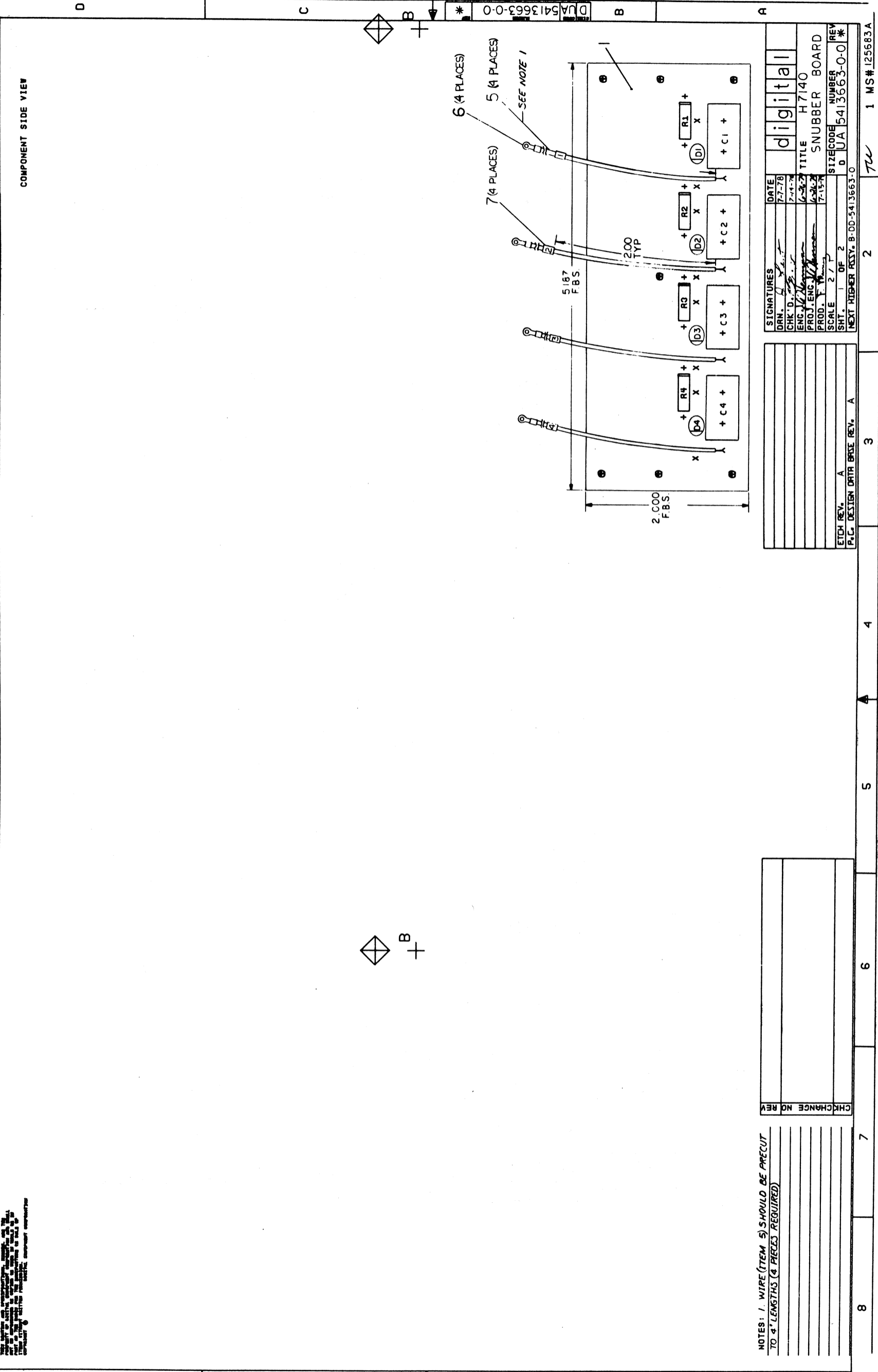
5

6

7

8

THIS DRAWING IS THE PROPERTY OF THE COMPANY AND IS TO BE KEPT IN CONFIDENTIALITY. IT IS TO BE USED ONLY FOR THE PURPOSES SPECIFIED IN THE DRAWING. IT IS NOT TO BE REPRODUCED OR TRANSMITTED IN ANY FORM OR BY ANY MEANS, ELECTRONIC OR MECHANICAL, INCLUDING PHOTOCOPYING, RECORDING, OR BY ANY INFORMATION STORAGE AND RETRIEVAL SYSTEM, WITHOUT THE WRITTEN PERMISSION OF THE COMPANY.



B +

NOTES: 1. WIRE (ITEM 5) SHOULD BE PRECUT TO 4" LENGTHS (4 PIECES REQUIRED)

CHG. NO. REV.

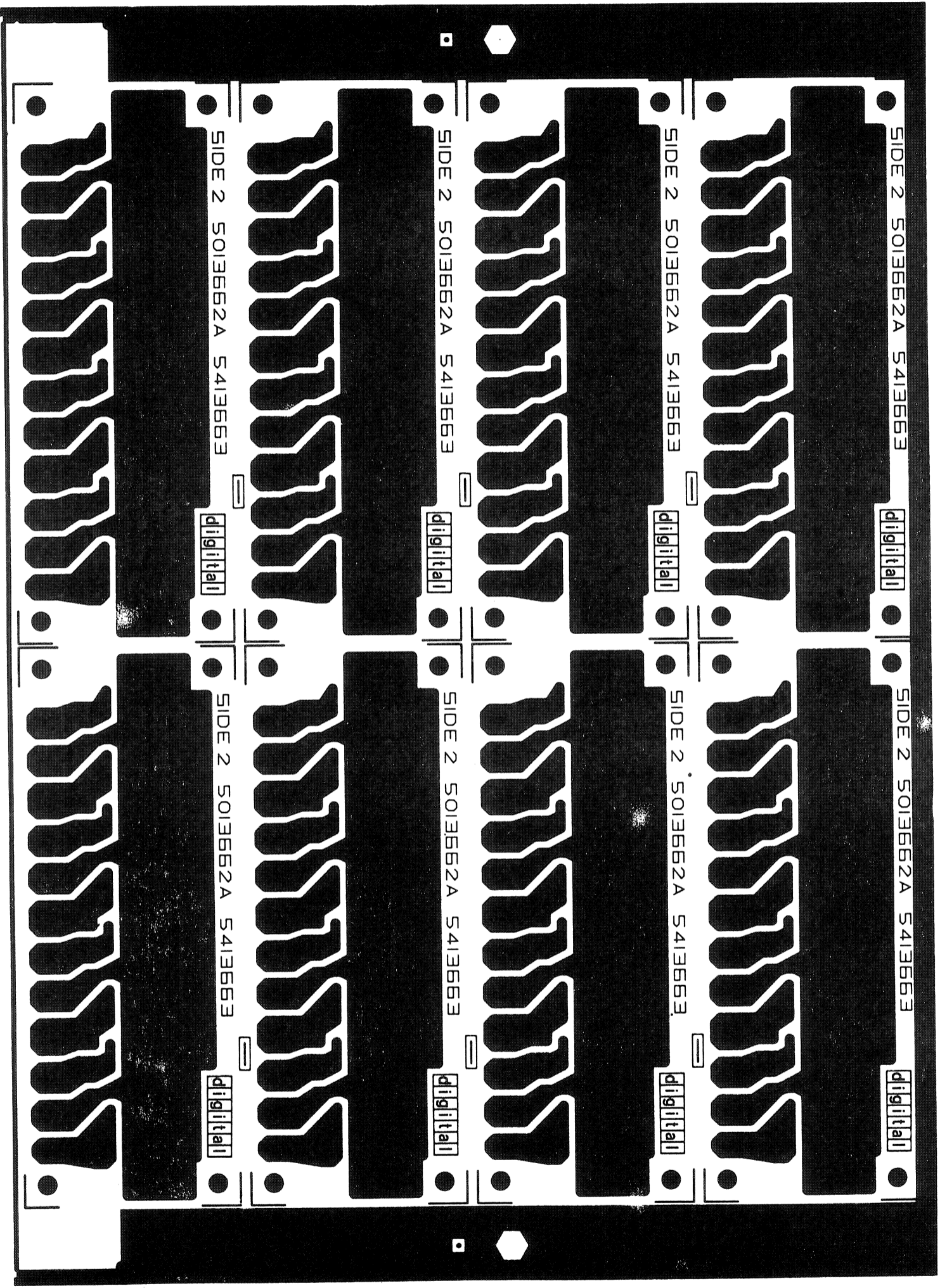
ETCH REV.	A
P.C. DESIGN DATA BRSE REV.	A

SIGNATURES	DATE
DRN. <i>[Signature]</i>	7-7-78
CHK. D. <i>[Signature]</i>	7-11-78
ENG. <i>[Signature]</i>	6-27-78
PROJ. ENG. <i>[Signature]</i>	6-27-78
PROD. <i>[Signature]</i>	7-15-78
SCALE	1 OF 2
SHT.	1 OF 2
NEXT HIGH-RES. B-D-5413663-0	

digital	
TITLE	H7140
SNUBBER BOARD	
SIZE CODE	NUMBER
D U A 5 4 1 3 6 6 3 - 0 - 0	REV

8 7 6 5 4 3 2 1 MS# 125683A

THIS DRAWING AND SPECIFICATIONS HEREAFTER ARE THE PROPERTY OF THE UNITED STATES GOVERNMENT AND SHALL NOT BE REPRODUCED OR COPIED OR USED IN WHOLE OR IN PART FOR ANY PURPOSES WITHOUT THE EXPRESS WRITTEN PERMISSION OF THE UNITED STATES GOVERNMENT CONTRACT NO. 979 DENTAL EQUIPMENT CORPORATION



REV.	NUMBER	SIZE CODE	TITLE	SCALE	SHEET	OF	REV.
	5413663-0-0	DUA	H7140 SNUBBER BOARD	2/1	2	OF 2	

REV.	NUMBER	SIZE CODE	TITLE	SCALE	SHEET	OF	REV.
	5413663-0-0	DUA	H7140 SNUBBER BOARD	2/1	2	OF 2	

REV.	NUMBER	SIZE CODE	TITLE	SCALE	SHEET	OF	REV.
	5413663-0-0	DUA	H7140 SNUBBER BOARD	2/1	2	OF 2	

REV.	NUMBER	SIZE CODE	TITLE	SCALE	SHEET	OF	REV.
	5413663-0-0	DUA	H7140 SNUBBER BOARD	2/1	2	OF 2	

REV.	NUMBER	SIZE CODE	TITLE	SCALE	SHEET	OF	REV.
	5413663-0-0	DUA	H7140 SNUBBER BOARD	2/1	2	OF 2	

8 7 6 5 4 3 2 1

A B C D

315 115 8

REVISIONS
 CHK CHANGE NO. REV.

315 115 8

A B C D

315 115 8

REVISIONS
 CHK CHANGE NO. REV.

315 115 8

A B C D

315 115 8

REVISIONS
 CHK CHANGE NO. REV.

315 115 8

A B C D

315 115 8

REVISIONS
 CHK CHANGE NO. REV.

315 115 8

A B C D

315 115 8

REVISIONS
 CHK CHANGE NO. REV.

315 115 8

A B C D

315 115 8

REVISIONS
 CHK CHANGE NO. REV.

315 115 8

A B C D

315 115 8

REVISIONS
 CHK CHANGE NO. REV.

315 115 8

A B C D

315 115 8

REVISIONS
 CHK CHANGE NO. REV.

315 115 8

A B C D

315 115 8

REVISIONS
 CHK CHANGE NO. REV.

315 115 8

A B C D

315 115 8

REVISIONS
 CHK CHANGE NO. REV.

315 115 8

A B C D

315 115 8