

TITLE	SIZE CODE	NUMBER	RFV
DRAWING DIRECTORY DD11-P	8 DD	DD11-P	D
SHEET 2 OF 3			

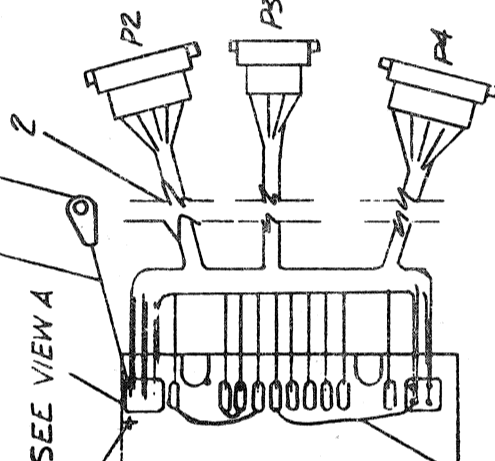
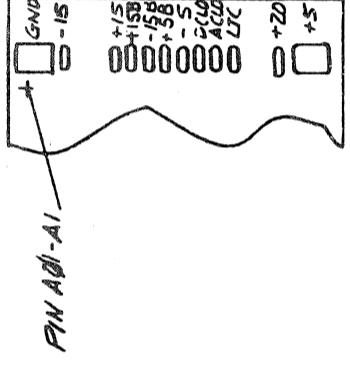
DRB 107

"THIS DRAWING AND SPECIFICATIONS HEREIN ARE THE PROPERTY OF DIGITAL EQUIPMENT CORPORATION AND SHALL NOT BE REPRODUCED OR COPIED OR USED IN WHOLE OR IN PART AS THE BASIS FOR THE MANUFACTURE OR SALE OF ITEMS WITHOUT WRITTEN PERMISSION. COPYRIGHT © 1975 DIGITAL EQUIPMENT CORPORATION"

WIRE TABLE

FROM		TO		FROM		TO	
COLOR	POINT	CONNECTION	SIGNAL	COLOR	POINT	CONNECTION	SIGNAL
BLU	P4-13	SOLDER	-15V	BRN	P2-14	SOLDER	-5V
RED	P4-4		+5V	BLK	P2-8		GND
RED	P4-1		+5V	GRAY	P2-2		+5V
BLK	P4-8		GND	GRN	P2-3		+20
BRN	P4-3		+20V	BLK	P2-9		GND
BLK	P4-9		GND	RED	P2-10	SOLDER	+5B
WHT	P4-6		+15B	ITEM'S	ITEM'S	SOLDER	GND
GRN	P4-15		-15B				
YEL	P3-4		ACLO				
BLK	P3-1		GND				
BRN	P3-2		LTC				
VIO	P3-3		DCLO				
RED	P2-4		+5V				
RED	P2-1	SOLDER	+5V				

NOTES:
 1. WHEN DD11-PF IS USED WITH A BAI1-F EXP BOX WITHOUT BATTERY BACK UP INSTALL THE THREE JUMPERS SHOWN:
 1) -15 TO -15B
 2) +15 TO +15B
 3) +5 TO +5B
 USE #20 INSULATED BUS WIRE ON SIDE 2 THIS WILL PROVIDE POWER TO THE MOS MEM VOLTAGE RAILS.
 2. INSTALL ITEM #6 UNDER LOGIC FRAME MOUNTING SCREW TO THE LOGIC GROUND TO CHASSIS GROUND.



SLOT	1	2	3	4	5	6	7	8	9

QTY.	DESCRIPTION	PART NO.	ITEM NO.
1	TERMINAL, SOLDER	9008150	6
1	WIRE, BLK STRD #14	9107370-00	5
1	TUBING, #20 (CLEAR)	9107267-10	4
1	WIRE, BUS #20	9107560-02	3
1	POWER HARNESS BAI1-F	D-7A-701109-0-0	2
1	WIRED ASSY DD11-P	C/A-7011522 D-0	1

FIRST USED ON OPTION/MODEL: DD11-PF

DIMENSIONAL TOLERANCE: DIMENSIONS ARE IN INCHES UNLESS OTHERWISE SPECIFIED

THIRD ANGLE PROJECTION: REMOVE BURRS AND BREAK SHARP CORNERS SURFACE QUALITY

MATERIAL: SEE PARTS LIST

FINISH: SEE PARTS LIST

DATE: 12/18/75
 CH'D: [Signature]
 ENGR: [Signature]
 PROJ. ENGR: [Signature]
 PROD. [Signature]
 R.C.M.B. [Signature]

DATE: 12/18/75
 DATE: 12/18/75
 DATE: 12/18/75
 DATE: 12/18/75
 DATE: 12/18/75

REVISIONS: CHANGE NO. REV.

CHK: [Signature]

DEC FORM NO. 111

SEE NOTE 1

digital

BACK PLANE ASSY (DD11-PF)

SIZE CODE: C AD 7012307-0-0

NUMBER: 7012307-0-0

REV.:

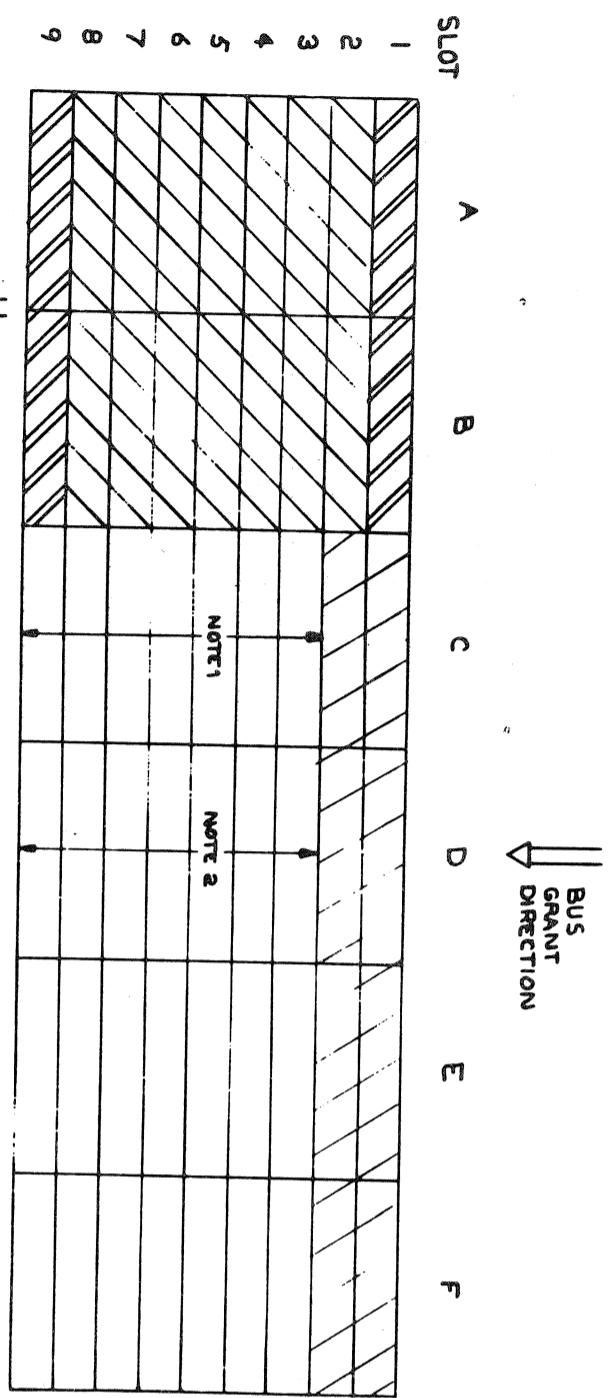
REVISIONS: CHANGE NO. REV.

CHK: [Signature]

DEC FORM NO. 111

THIS DRAWING AND SPECIFICATION, HEREIN, AND THE SMALL PARTS LIST THEREON, ARE THE PROPERTY OF THE UNITED STATES GOVERNMENT AND ARE TO BE USED IN THE MANNER AND FOR THE PURPOSES AUTHORIZED BY THE GOVERNMENT CONTRACT UNDER WHICH THEY WERE PRODUCED. ANY OTHER USE OF THIS DRAWING OR SPECIFICATION WITHOUT THE EXPRESS WRITTEN PERMISSION OF THE GOVERNMENT IS PROHIBITED.

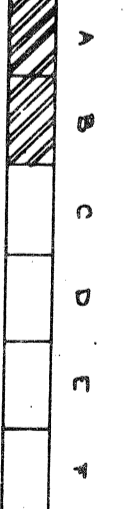
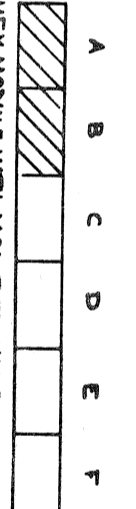
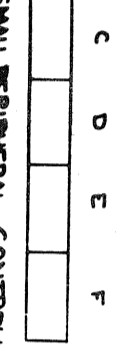
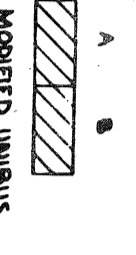
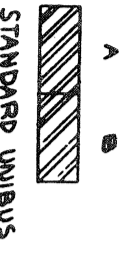
NOTE 7
NOTE 7
NOTE 7
NOTE 7
NOTE 7
NOTE 7
NOTE 7
NOTE 7
NOTE 7



UNIBUS OUTPUT

VIEW FROM MODULE SIDE

BUS GRANT DIRECTION



STANDARD UNIBUS (SLOTS 1-9)
DUAL MODULES WHICH PLUG INTO STANDARD UNIBUS SLOTS ONLY!
BC1A UNIBUS CABLE
M9302 SACK/TERM (AMTS)
M9302 (NOTE 4)
M9302 (NOTE 5)
M9302 (NOTE 6)
SLOT 9 (R/B) - EITHER THE TERMINATION OF THE UNIBUS OR THE OUTPUT CABLE (BC11A)

MODIFIED UNIBUS (SLOTS 2-8)
DUAL MODULES WHICH PLUG INTO THE MODIFIED UNIBUS ONLY!
M9312 BOOT/TERM.
M9306 TERM.
M9300 PARITY CONT.

SMALL PERIPHERAL CONTROLLER (SLOTS 3-9)
ANY S.P.C. OPTION
CPU BUS (SLOTS 1-2)
PROCESSOR INTERCONNECTNESS FOR K11-E AND K11-EH

HEX MODULE WITH MODIFIED UNIBUS SIGNALS (SLOTS 2-8)
HEX MODULES THAT PLUG INTO MODIFIED UNIBUS ONLY:
M7847 MOS MEMORY (M811 EP-JP)
M111-BP, CP, DP, OR VP CORE MEMORY

HEX MODULE WITH STANDARD UNIBUS SIGNALS (SLOT 1 ONLY)
M7263 PDP 11/04 CPU MODULE OR M7264 PDP 11/34 CONTROL MODULE
M7266 K11-E (PDP 11/04) CONTROL MODULE
M8266 K11-E (PDP 11/34A) CONTROL MODULE

GENERAL:
ANY HEX MODULE THAT MEETS EITHER OF THE FOLLOWING REQUIREMENTS CAN BE MOUNTED IN THESE SLOTS.
1) THOSE PINNED TO TAKE SIGNALS FROM MODIFIED UNIBUS (A & B) WITH THE BUS GRANTS TAKEN FROM SPC SLOTS 10: ABOVE
2) THOSE PINNED TO TAKE SIGNALS FROM STANDARD SPC PINNING WITH THE EXCEPTION OF POWER FROM (A & B). i.e. SPECIAL OPTIONS

CABLE FROM K11-LA OPERATIONS CONSOLE, USED WITH PDP 11/04, PDP 11/14, PDP 11/34A TERMINATES HERE

- NOTES:**
- REMOVE CA1 TO CAB WIRE WRAP JUMPER TO INSTALL AN NPR OPTION IN ANY SPC SLOT.
 - 6727 REQUIRED IN ANY UNUSED SPC SLOT TO PROVIDE BUS GRANT CONTINUITY.
 - GRANT DIRECTION IS SLOT 1 TO SLOT 9.
 - USE M9282 TO INTERCONNECT SYSTEM UNITS INSTEAD OF M928. M9282 IS A 2 FT. UNIBUS JUMPER CABLE USED TO DISTRIBUTE UNIBUS LOADING.
 - M9302 (SACK/TERM) AND M930 (TERM) MUST NEVER BE INSTALLED IN ANY SLOT OTHER THAN SLOT 9 (A & B). POWER SUPPLY VOLTAGES WILL BE SHORTED OUT IF THESE TERMINATIONS ARE MOUNTED IN THE MODIFIED UNIBUS SLOTS.
 - MODIFIED UNIBUS SECTION CARRIES CORE AND MOS MEMORY VOLTAGE RAILS AND MEMORY PARITY CONTROL SIGNALS INSTEAD OF BUS GRANT AND SOME OTHER SIGNALS THAT ARE CONTAINED IN STANDARD UNIBUS SLOTS.
 - REFER NEXT PAGE FOR RECOMMENDED UTILIZATION OF THIS SLOT IN STANDARD SYSTEM.
 - THIS SLOT IS RESERVED FOR K11-A OPTION ON PDP11/34A ONLY BAI-K BOX ONLY.
 - SLOT 3 IS TO BE USED FOR EITHER K11-A OR P11-A OPTIONS. IF BOTH OPTIONS ARE PRESENT P11-A MUST GO IN SLOT 3 AND K11-A IN SLOT 5 THESE CONFIGURATIONS APPLY TO BOTH THE BAI-L (544) AND BAI-K(10.5) BOXES.
 - EITHER M9312 OR M9301 MAY BE USED BUT NOT BOTH.

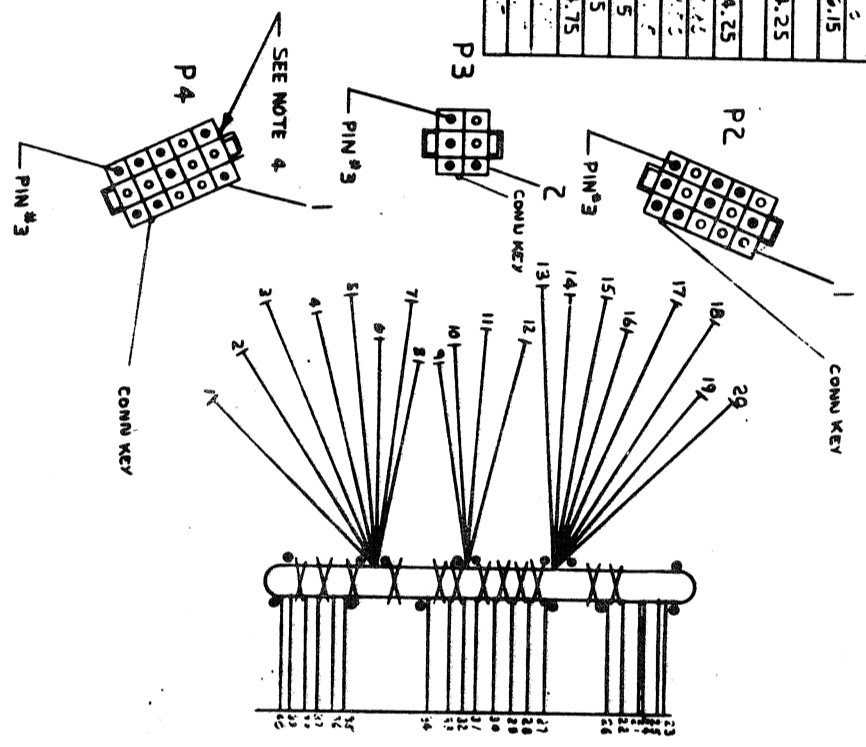
REV.	CHANGE NO.	REV.
A	DDI-P-00005	A
B	DDI-P-00006	B
C	DDI-P-00007	C
D	DDI-P-00008	D

DESCRIPTION	QTY	UNIT	DESCRIPTION	QTY	UNIT
MODULE UTILIZATION (DDI-P)	1	MODULE

THIS DRAWING AND SPECIFICATION, HEREIN, ARE THE PROPERTY OF THE UNITED STATES GOVERNMENT AND ARE TO BE RETURNED TO THE OFFICE OF ORIGIN UPON REQUEST. THIS DRAWING IS NOT TO BE REPRODUCED OR TRANSMITTED IN ANY FORM OR BY ANY MEANS, ELECTRONIC OR MECHANICAL, INCLUDING PHOTOCOPYING, RECORDING, OR BY ANY INFORMATION STORAGE AND RETRIEVAL SYSTEM, WITHOUT PERMISSION IN WRITING FROM THE OFFICE OF ORIGIN.

WIRING TABLE

ITEM NO.	DESCRIPTION	FROM			TO		SIGNAL	LENGTH		
		AWG	COLOR	POINT	CONNECTION	WIDTH			POINT	CONNECTION
9	#18 BLUE			1	P4-13	3	26	SOLDER	-15V	7
5	14 RED			2	P4-4		37		+5V	5
5	14 RED			3	P4-1		38		+5V	7
6	14 BLK			4	P4-8		21		GND	7.75
7	14 ORN			5	P4-3		35		+20V	5
6	14 BLK			6	P4-9		22		GND	5
13	18 WHT			7	P4-6		28		+5V	5
14	18 GRN			8	P4-15		29		+5B	6.15
12	18 YEL			9	P3-4		33		ACL0	4.25
6	14 BLK			10	P3-1		23		GND	4.25
10	18 BRN			11	P3-2		34		LTC	4.25
11	18 VIO			12	P3-3		32		DCL0	4.25
5	14 RED			13	P2-4		39		+5V	4.25
5	14 RED			14	P2-1		40		+5V	4.25
10	18 BRN			15	P2-14		31		-5V	5
6	14 BLK			16	P2-8		24		GND	5
7	14 GRN			17	P2-2		27		+15	4.75
14	18 ORN			15	P2-3		30		+20	4.75
6	14 BLK			19	P2-9		25		GND	5
5	14 RED			20	P2-12		30		SOLDER	+5B



DO NOT REDUCE
SCALE
FOR MANUFACTURING PURPOSES ONLY

FOR WIRE LENGTHS
SEE WIRING TABLE

REVISIONS		
CHK	CHANGE NO.	REV.
	7011108-00001	A
	7011108-00002	B

D. BARRY
P. PORRECA

POWER HARNESS (BAIL-K, BAIL-L)

UNLESS OTHERWISE SPECIFIED DIMENSIONS ARE IN INCHES

CONTROL PLANT NO. 1209351-15

ITEM NO. 1

QUANTITY & VARIATION

PROL. ENG. 1/11/78

PRINTED ON DB11-D

SCALE 1/1

REV. B

QTY	DESCRIPTION	CONTROL PLANT NO.	ITEM NO.
1	POWER HARNESS DECALS	7409672-2-0	15
14	WIRE #18 AWG, GRN	9107360-55	14
13	WIRE #18 AWG, WHT	9107360-99	13
12	WIRE #18 AWG, YEL	9107360-44	12
11	WIRE #18 AWG, VIO	9107360-77	11
10	WIRE #18 AWG, BRN	9107360-11	10
9	WIRE #18 AWG, BLU	9107360-66	9
8	WIRE #18 AWG, GREY	9107360-38	8
7	WIRE #14 AWG, ORN	9107370-33	7
6	WIRE #14 AWG, BLK	9107370-00	6
5	WIRE #14 AWG, RED	9107370-22	5
4	TIE WRAP	9007031	4
3	PIN MALE	1209378-01	3
2	CONN. 6 PIN HOUSING	1209351-06	2
1	CONN. 15 PIN HOUSING	1209351-15	1

- NOTES:
1. USE TIE WRAPS (X) ITEMS AT BREAKOUT PRINTS SHOWN
 2. DOT (G) INDICATES NAIL LOCATION FOR ASSY TO PREVENT CUTTING HARNESS.
 3. WIRE LENGTH TOLERANCES WILL BE +1/8, -0 INCHES.
 4. ALL CONN. SHOWN FROM WIRING SIDE.

