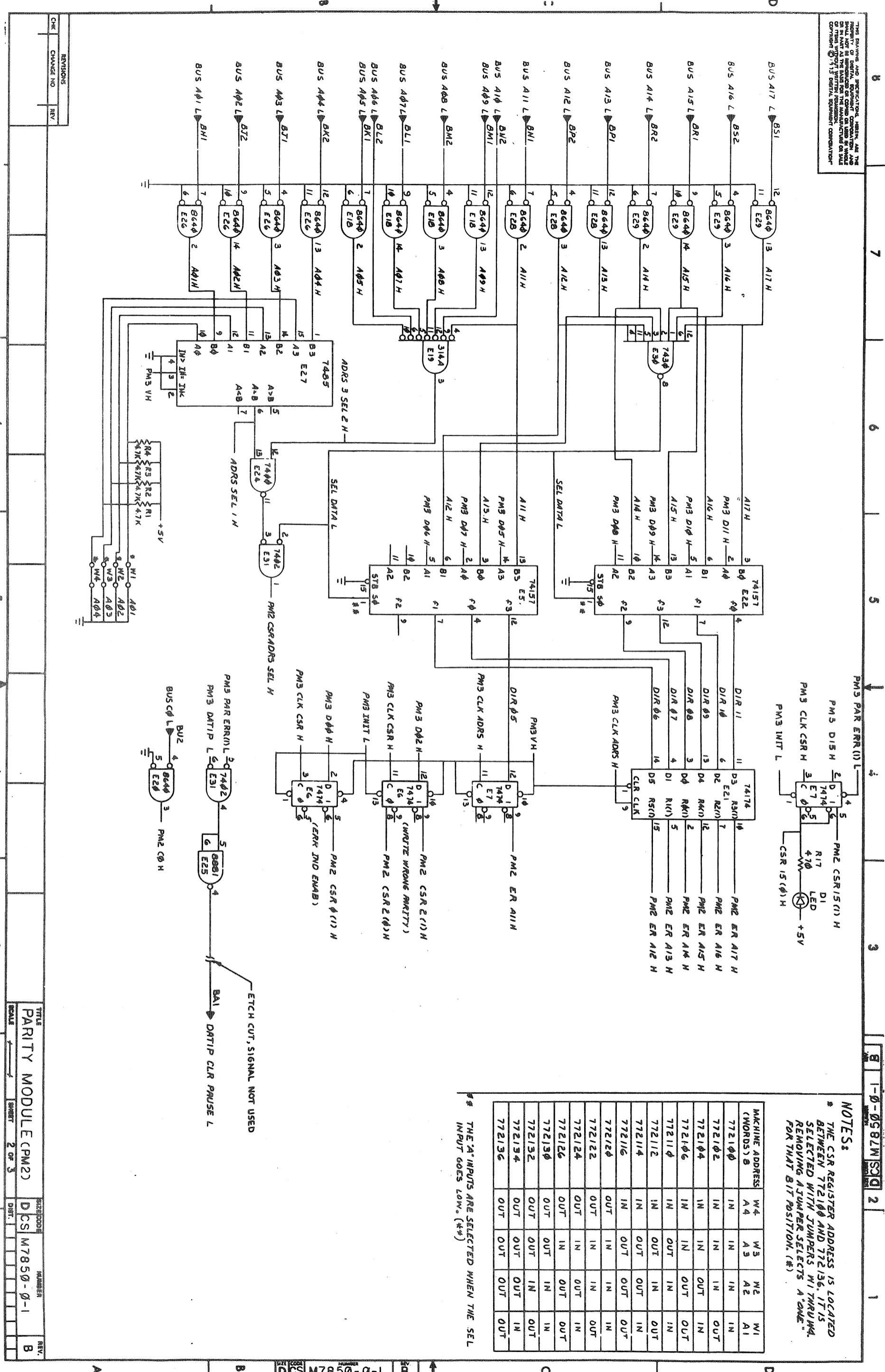




THIS DRAWING AND SPECIFICATION, HEREIN, ARE THE PROPERTY OF DIGITAL EQUIPMENT CORPORATION AND ARE TO BE USED ONLY FOR THE MANUFACTURE OF THIS EQUIPMENT. NO PART OF THIS DRAWING OR SPECIFICATION IS TO BE REPRODUCED OR TRANSMITTED IN ANY FORM OR BY ANY MEANS, ELECTRONIC OR MECHANICAL, INCLUDING PHOTOCOPYING, RECORDING, OR BY ANY INFORMATION STORAGE AND RETRIEVAL SYSTEM, WITHOUT THE WRITTEN PERMISSION OF DIGITAL EQUIPMENT CORPORATION.



**NOTES:**

- THE CSR REGISTER ADDRESS IS LOCATED BETWEEN 772100 AND 772136. IT IS SELECTED WITH JUMPERS W1 THROUGH W4. REMOVING A JUMPER SELECTS A "ONE" FOR THAT BIT POSITION. (#)

MACHINE ADDRESS (WORDS) 0	W4	W3	W2	W1
772100	IN	IN	IN	IN
772102	IN	IN	IN	OUT
772104	IN	IN	OUT	IN
772106	IN	IN	OUT	OUT
772110	IN	OUT	IN	IN
772112	IN	OUT	OUT	OUT
772114	IN	OUT	OUT	IN
772116	IN	OUT	OUT	OUT
772120	OUT	IN	IN	IN
772122	OUT	IN	IN	OUT
772124	OUT	IN	OUT	IN
772126	OUT	IN	OUT	OUT
772130	OUT	OUT	IN	IN
772132	OUT	OUT	IN	OUT
772134	OUT	OUT	OUT	IN
772136	OUT	OUT	OUT	OUT

\* THE "A" INPUTS ARE SELECTED WHEN THE SEL INPUT GOES LOW. (\*\*)

REVISIONS

CHK	CHANGE NO	REV

TITLE: PARITY MODULE (PM2)

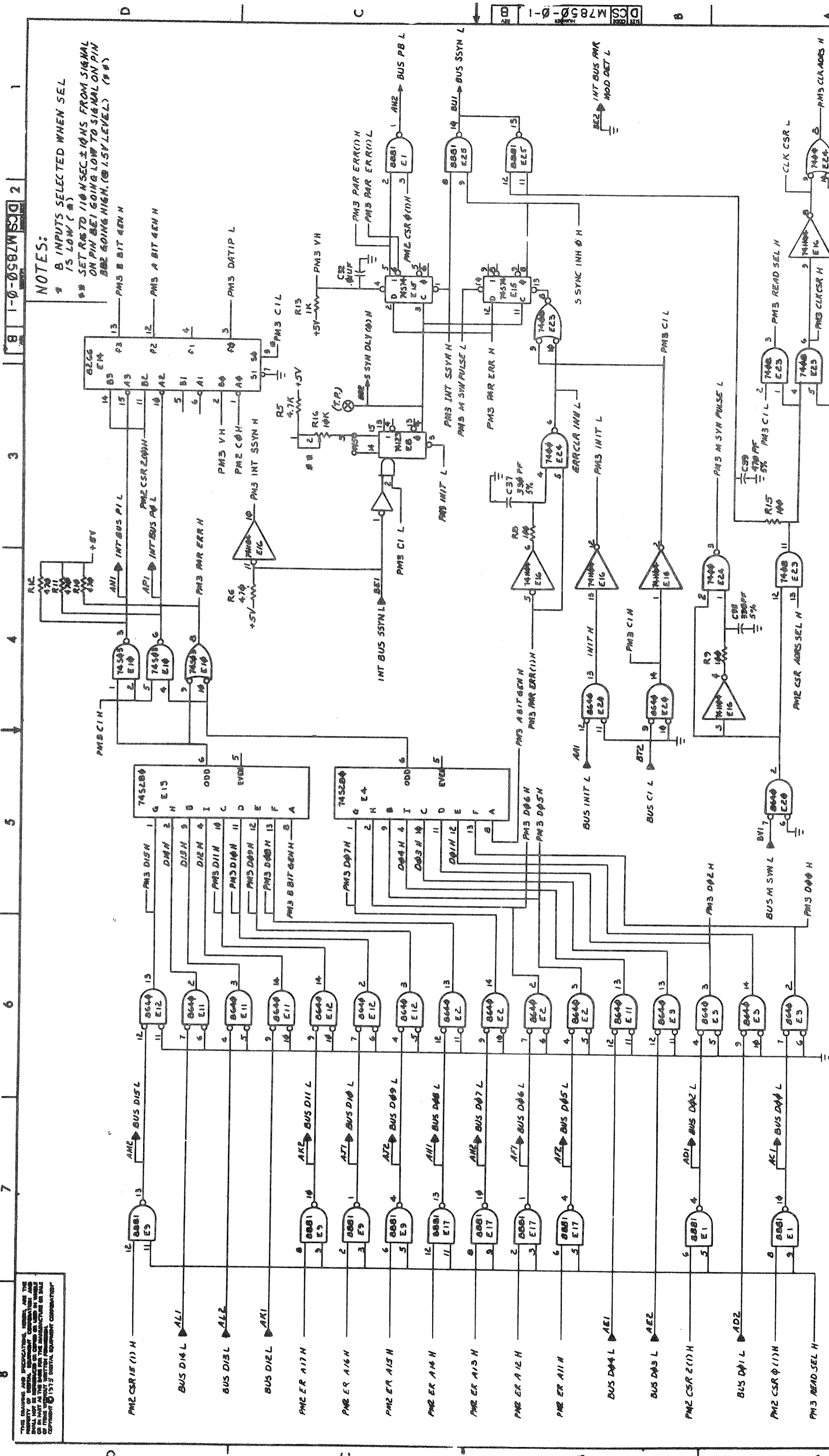
SCALE: 1/8"

SHEET: 2 OF 3

DWG CODE: DCS M7850-0-1

NUMBER: 1

REV: B



**NOTES:**  
 \* B INPUTS SELECTED WHEN SEL  
 /S LOW ( )  
 \*\* SET R6 TO 110 NSEC ± 10% FROM SIGNAL  
 ON PIN (E1) GOING LOW TO SIGNAL ON PIN  
 (E2) GOING HIGH. ( @ 1.5V LEVEL ) ( # # )

REV.	DESCRIPTION
1	INITIAL
2	CHANGE NO
3	REV

TITLE		PARITY MODULE (PM3)	
REV.	NUMBER	DCS M7850-0-1	B
SCALE	SHEET	3 OF 3	1

# DIGITAL EQUIPMENT CORPORATION

## PARTS LIST

MADE BY David Caruso  
 DATE 11/18/76  
 ENG W. Coates  
 DATE 29 APR 77  
 CHECKED J. S. Samaan  
 DATE 21 FEB 77  
 PROD R. Q. Hill  
 DATE 29 APR 77  
 SECTION 1  
 ISSUED SECTION 1

ITEM NO.	DRAWING NO.	PART NO.	DESCRIPTION	QUANTITY / VARIATION	REF DESIGNATION	NOTES
1	D-CS-5412149-0-1		CIRCUIT SCHEMATIC			NOTES: USED ON: OPTION/MODEL H228B NOTE: 1. * = CAP 10-01610-01 CAN BE USED IN PLACE OF 10-01610-00
2	B-DD-5412149-0		DWG DIRECTORY			
3	D-MD-5012148-0-0		DRILL & ETCH DWG			
4	D-UA-5412149-0-0		UNIT ASSEMBLY			
5	10-00042-00		CAP 1000 PF 100V 5% DM	2	C7, C113	
6	10-00018-00		CAP 120 PF 100V 5% DM	18	C83, C93, C73, C63, C53, C46, C36, C26, C108, C99, C89, C79, C69, C59, C42, C32, C17, C22	
7	5012148		ETCHED CIRCUIT BOARD	1	C6, C102	
8	10-10978-32		CAP .047 UF 50V CER	2	C110, C111, C112, C114	
9	* 10-01610-00		CAP 0.01 UF 50V CER	67	C11, C95, C96, C97, C52, C85, C86, C87, C77, C75, C76, C103, C65, C66, C67, C106, C55, C56, C57, C50, C48, C49, C98, C100, C101, C82, C88, C90, C91, C92, C78, C80, C81, C68, C70, C71, C72, C58, C60, C61, C62, C41, C43, C44, C31, C33, C34, C35, C19, C20, C21, C25, C23, C24, C28, C29, C30, C38, C39, C40, C45, C98, C27	
10	10-10279-0-0		CAP .47 UF 25V, 20% CER	14	C8, C9, C104, C105, C18, C27, C37, C47, C54, C64, C74, C94, C84, C109	
11	10-12084-01		CAP 8 UF 25V AL.EL.	3	C10, C51, C107	
12	11-05275-00		DIODE D672	8	D2, D3, D4, D5, D24, D25, D26, D27	
13	12-13551-00		CONTACT, PIN, STRAIGHT POST (AMP)	78	J1 thru J4, J12 thru J85	
14	13-01317-00		RES. 10 1/4W 5% CC	2	R5, R49	

THIS DRAWING AND SPECIFICATIONS, HEREIN, ARE THE PROPERTY OF DIGITAL EQUIPMENT CORPORATION AND SHALL NOT BE REPRODUCED OR COPIED OR USED IN WHOLE OR IN PART AS THE BASIS FOR THE MANUFACTURE OR SALE OF ITEMS WITHOUT WRITTEN PERMISSION. COPYRIGHT © 1976 DIGITAL EQUIPMENT CORPORATION.

FN 01140A.16.0 27613751 DRB 125

ASSY NO. D-LIA-5412149-0-0  
 SHEET 1 OF 3  
 SIZE CODE B PL  
 NUMBER 5412149-0-0  
 REV. C  
 INSERTION PARTS LIST DATA BASE REV 7

LINE ITEM DOCUMENT NO.

PART NO.

DESCRIPTION

QTY REFERENCE DESIGNATORS

LINE	ITEM	DOCUMENT NO.	PART NO.	DESCRIPTION	QTY	REFERENCE DESIGNATORS
1	D-C8-G657-0-1			CIRCUIT SCHEMATIC	1	C26
2	B-MH-G657-0-6			MODULE ECO HISTORY	1	C8
3	D-UA-G657-0-0			UNIT ASSEMBLY	1	C1-C3
4				G657	1	C30,C34,C38,C42,C46,C50,C54,
5				5012147-00	1	C58,C62,C66,C70,C74,C82,C86,
6				1005820-00	1	C90,C94,C98,C78
7				1000011-00	1	C5,C12,C17,C22
8				1000015-00	1	C16,C28,C136,C102-C124,C137,
9				1000023-00	1	C193
9				1011683-00	22	C6,C13,C18,C23,C31,C35,C39,
10				1010274-00	28	C43,C47,C51,C55,C59,C63,C67,
11				1010279-00	28	C71,C75,C79,C83,C87,C91,C95,
12				1012004-01	4	C11,C19,C20,C133
13				1012219-00	3	C195-C197
14				1000076-00	1	C14
15				1105648-00	4	D117,D119,D121,D123
16				1105275-00	112	D1-D53,D55-D57,D59-D114
17				1110994-00	2	D124,D125
18				1102421-00	1	D115
19				1100125-00	1	D116
20				1212104-00	1	J89
21				1211728-00	78	J1-J4,J12-J85
22				1205747-00	1	F1
23				1211164-01	1	S1
24				1210929-03	19	F2-F20

REVISION HISTORY VARIATIONS FOR THIS ASSY.

CHK	ECO NO	REV	DESCRIPTION	DATE	BY	TITLE
E.R.	00001	C				

FIRST USED ON: MM11-XP  
 MADE BY: D CARUSO  
 CHECKED: R MANION  
 USN, ENG, I W COATES  
 PROD, I R HILL  
 RESP, ENG, I W COATES  
 DIGITAL EQUIPMENT CORPORATION  
 MAYNARD, MASSACHUSETTS  
 PARTS LIST  
 32K SPC ELECTRONICS  
 DOCUMENT NUMBER  
 G657-0-DBP  
 ASSY. NO. 1 B-PL-G657-0-0  
 7

"THIS DRAWING AND SPECIFICATIONS HEREIN, ARE THE PROPERTY OF DIGITAL EQUIPMENT CORPORATION AND SHALL NOT BE REPRODUCED OR COPIED OR USED IN WHOLE OR IN PART AS THE BASIS FOR THE MANUFACTURE OR SALE OF ITEMS WITHOUT WRITTEN PERMISSION."  
 COPYRIGHT 1979, DIGITAL EQUIPMENT CORPORATION

LINE ITEM	DOCUMENT NO.	PART NO.	DESCRIPTION	QTY	REFERENCE DESIGNATORS
25		1305114-00	3.48 K 1/4W 1% RN55D-F 100PPM	1	R63
26		1302091-00	330 K 1/4W 5% CC	1	R154
27		1312466-06	75 1W 1% WH	1	R155
28		1312466-04	10.5 1W 1% WH	1	R29
29		1301317-00	10 1/4W 5% CC	1	R37
30		1312466-00	10 1W 1% WH	4	R21, R32, R43, R51
31		1301425-00	300 1/4W 5% CC	10	R74, R70, R82, R86, R90, R94, R98, R102, R106, R110, R114, R118, R122, R126, R130, R134, R139, R144
32		1301969-00	22 1/4W 5% CC	59	R13, R30, R40, R48, R73, R75, R77, R79, R81, R83, R85, R87, R89, R91, R93, R95, R97, R99, R101, R103, R105, R107, R109, R111, R113, R115, R117, R119, R121, R123, R125, R127, R129, R131, R133, R135, R136, R138, R140, R141, R143, R145, R153, R44
33		1302602-00	56 1/4W 5% CC	3	R1, R5, R20
34		1300229-00	100 1/4W 5% CC	4	R4, R8, R9, R11
35		1304856-00	4.64 K 1/4W 1% RN55D-F 100PPM	1	R150
36		1300250-00	150 1/4W 5% CC	2	R41, R52
37		1305124-00	207 1/4W 1% RN55D-F 100PPM	1	R19
38		1300274-00	220 1/2W 5% CC	2	R146, R148
39		1312123-00	220 3W 1% WH	2	R56, R151
40		1301972-00	270 1/4W 5% CC	2	R12, R10
41		1303067-00	422 1/4W 1% RN55D-F 100PPM	1	R18
42		1300365-00	1 K 1/4W 5% CC	0	R3, R7, R35, R38, R72, R137, R142, R152
43		1303045-00	3.16 K 1/4W 1% RN55D-F 100PPM	2	R53, R14
44		1304855-00	9.09 K 1/4W 1% RN55D-F 100PPM	1	R57
45		1300447-00	4.7 K 1/4W 5% CC	1	R36
46		1305324-00	4.99 K 1/4W 1% RN55D-F 100PPM	1	R54
47		1303312-00	10.0 K 1/4W 1% RN55D-F 100PPM	2	R17, R26
48		1300479-00	10 K 1/4W 5% CC	0	R55, R59, R60, R64, R68
49		1302941-00	14.7 K 1/4W 1% RN55D-F 100PPM	2	R69, R70
50		1309419-00	19.6 K 1/4W 1% RN55D-F 100PPM	1	R50
51		1303156-00	34.8 K 1/4W 1% RN55D-F 100PPM	1	R61
52		1305252-00	68.1 K 1/4W 1% RN55D-F 100PPM	2	R25, R62
53		1303219-00	82 K 1/4W 5% CC	1	R71
54		1305255-00	121 K 1/4W 1% RN55D-F 100PPM	1	R23
55		1309595-00	1 M 1/4W 5% CC	2	R27, R28
56		1304843-00	243 K 1/4W 1% RN55D-F 100PPM	1	R22
57		1309785-00	300 1/4W 5% 2% THERMISTOR	1	R15
58		1300202-00	47 1/4W 5% CC	2	R2, R6
59		1503409-01	DEC6534B PNP 310MW SI 40 90 P	1	08
60		1509605-00	2N 4920 PNP 30WC SI 00 20 S	1	09
61		1505321-00	DEC4258 PNP 200MW SI 12 30 M	1	010
62		1510959-00	2N 3725 NPN 3.5WC SI 50 60 P	4	04-07

TITLE	SIZE	CODE	DOCUMENT NUMBER	REV
DIGITAL EQUIPMENT CORPORATION MAYNARD, MASSACHUSETTS	32K SPC	ELECTRONICS		
PARTS LIST				
	K	PL	G657-00-DBP	IC

LINE ITEM DOCUMENT NO.

PART NO.

DESCRIPTION

QTY REFERENCE DESIGNATORS

LINE ITEM	DOCUMENT NO.	PART NO.	DESCRIPTION	QTY	REFERENCE DESIGNATORS
63		1513265-00	3725 QUAD CORE DRIVER	9	E32,E50,E71,E76,E93,E97,E54, E114,E118
64		1509100-00	DEC3009B NRC 200MH SI 2P 25 P	CONT	E114,E118
65		1610962-00	XFMR,SATURATING(X,7)	3	E114,E118
66		1609996-00	PULSE XFMR BH001-01M7 DECS 22	2	E39,E103
67		1611243-00	DELAY=25-250NS,10TAPS RCL=103 E PC09029	10	E31,E49,E53,E70,E72,E75,E92, E96,E113,E117
68		1610662-00	100.0 UH 10% 165MA ODDJ 09	3	E5,E11,E18
69		1610963-00	4W0 UH 900MA,30MS	3	E5,E11,E18
70		1613020-00	XFMR,SATURATING(INHIBIT)	9	E30,E43,E61,E66,E81,E86,E102, E108,E126
71		1910878-00	7427 NOR GATE-TRIPLE 3IN	CONT	E108,E126
72		1905570-00	7430 NAND GATE-SINGLE 0INPUT	1	E25
73		1910541-00	74640 NAND GATE-DUAL 4IN,BUFFER 16	2	E21,E22
74		1910046-00	7442 DECODER-1 OF 10,ACD SELECTED	1	E112
75		1909050-00	7475 LATCH 4BIT	7	E6,E44,E55,E87,E98,E109,E127
76		1910230-00	74121 ONE SHOT	5	E2,E8,E58,E63,E123
77		1912060-00	74128 DRIVER,LINE,QUAD,50/75 OHM	1	E70
78		1909932-01	7483A ADDER-4BIT W/LOOK AND CARRY	13	E3,E4,E9,E37,E42,E60,E65,E80, E82,E85,E101,E107,E125
79		1909058-00	74H71 AND GATE-DUAL 4INPUT	CONT	E82,E85,E101,E107,E125
80		1909060-00	74H50 AND-1 XPNDBLF GATE-DUAL 2X2	1	E15
81		1910532-00	74S00 NAND GATE-QUAD 2IN8	2	E94,E91
82		1912389-00	74S00 AND GATE-QUAD 2IN,POS	1	E24
83		1910534-00	74S04 INVERTER GATE-HEX 1IN	5	E17,E23,E28,E100,E122
84		1910544-00	74S74 FF-D DUAL,EDGE TRIGGER	1	E16
85		1911469-00	DEC 8640 RECEIVER,BUS,QUAD,UNIBUS,0-8U	14	E10,E14,E29
86		1911579-00	DEC 8641 TRANSCIVER,BUS,QUAD,UNIBUS	14	E27,E30,E41,E52,E67,F74,E99, E95,E106,E116
87		1910298-00	DEC 741 OP AMP GEN PURP, COMPENSATED	5	E36,E46,E48,E69,E111
88		1910960-00	DEC 75325 DRIVER,CORE MEMORY,DUAL	7	E1,E7,E13,E20,E34,E57,E62 E119
89		7M1P91R-05	DIODE PKG COMMON CATHODE	28	E12,E19,E26,E33,E35,E40,E45, E47,E51,E56,E59,E64,E68,E73, E77,E79,E83,E88,E90,E94,E99, E104,E105,E110,E115,E120,E121, E124
90		741S338-00	LEFT HANDLE ASSY	36	D126,D127-D161
91		741S337-00	RIGHT HANDLE ASSY	1	
92		1214237-00	BAR,STIFFENER W/14 INSPRTS	1	
93		1213567-00	HANDLE,MODUL.(SEGMENT)	1	
94		9206557-00	NUT,KEP 4-40X 1/4 AF	2	
95		9006010-01	SCREW,PAN,PHIL, 4-40X 5/16 SS/PAS	1	
96		9006004-01	SCREW,NYLON, SLID PAN HD, 2-56 X .107	1	
97		9006735-00	FYELT,FUNNEL FLANGE, .059 OD X .107 I/G	9	
98		900024-01	FYELFT, ROLLEN FLANGE, .121 OD X .196 LG	77	
99		9009185-00	JUMPER, WIRE, INSULATED, BLACK RAND	19	
100		9007201-00	TRANSIPADS #10253	17	M10W17
101		9107771-00	TUBING,STRD WALL,.040ID	4	
			ULS	72	

DIGITAL EQUIPMENT CORPORATION  
MAYNARD, MASSACHUSETTS

TITLE  
PARTS LIST  
32K SPC ELECTRONICS

SIZE CODE  
K PL G657-0-DBP

DOCUMENT NUMBER  
G657-0-DBP

REV  
1C

LINE ITEM	DOCUMENT NO.	PART NO.	DESCRIPTION	QTY	REFERENCE DESIGNATORS
102		1305120-00	5.62 K 1/4W 1% RN55D-P 100PPH (13-00)	1	R33
103		1300249-00	150 1/2W 5% CC (13-00)	2	R147, R149
104		1300247-00	120 1/4W 5% CC (13-00)	1	R39
105		1303170-00	620 1/4W 5% CC (13-00)	1	R46
106	SEE NOTE 109	1110036-00	1N 759A VZM 12.0 5% .40W P	1	D120
107		10P1610-00	.01 MFD 50V 25U 309CER/8000PF MIN	110	C4, C7, C9, C10, C15, C21, C24, C25, C27, C29, C32, C33, C36, C37, C40, C41, C44, C45, C48, C49, C56, C57, C60, C61, C64, C65, C68, C69, C72, C73, C76, C77, C80, C81, C84, C85, C88, C89, C92, C93, C96, C97, C100, C52, C53, C126, C128, C130-C132, C134, C135, C138-C166, C168-C192, C194, C210, C127, C129
108		9105740-55	WIRE(WRAP)30AWG UL1423 (91-00 A/R)		

109 NOTE: 10-01610-01 CAN BE USED IN PLACE OF 10-01610-00

TITLE	SIZE	CODE	DOCUMENT NUMBER	REV
DIGITAL EQUIPMENT CORPORATION WAYNARD, MASSACHUSETTS	K	PL	G657-0-DBP	IC