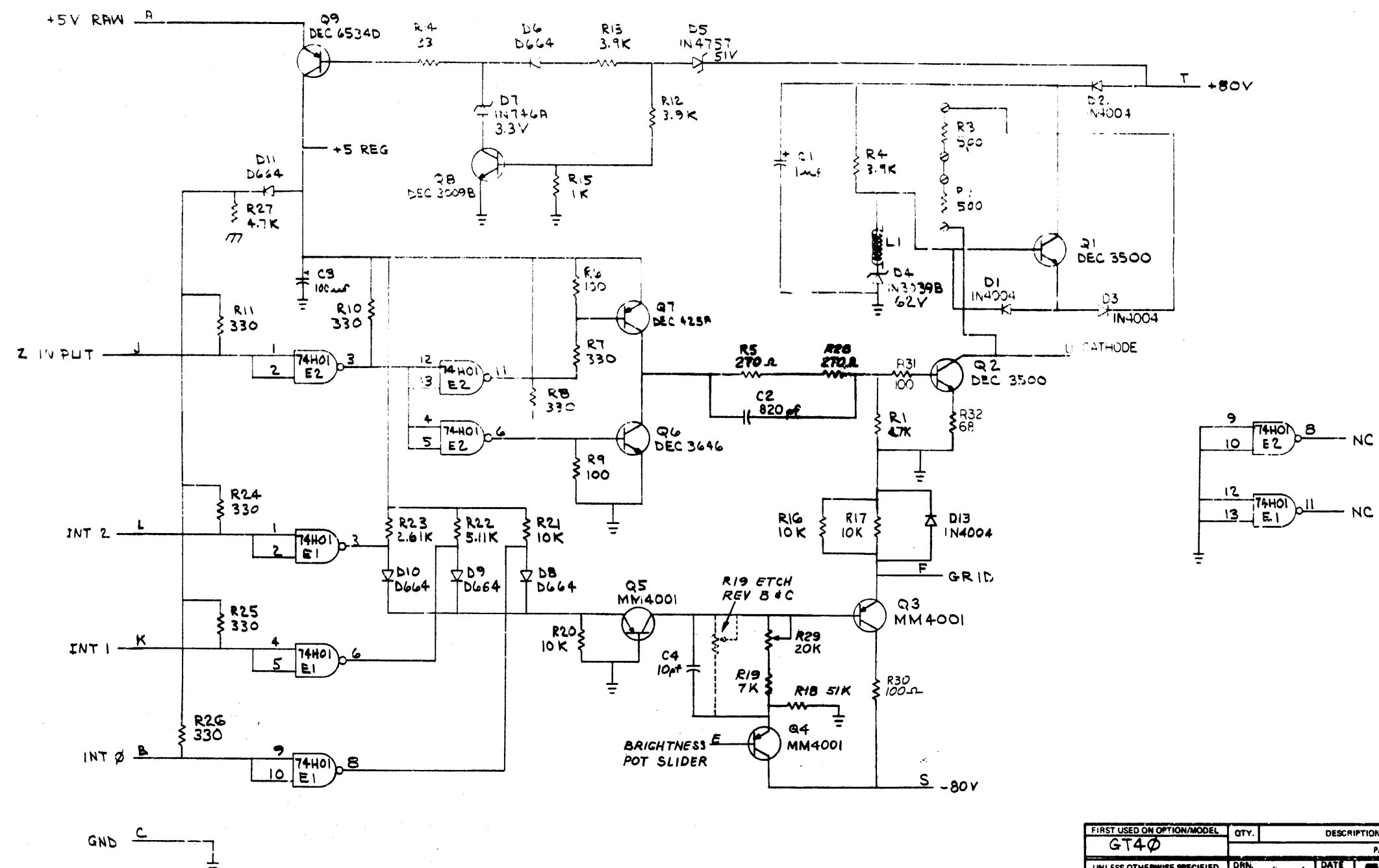




The drawing and specifications herein are the property of Digital Equipment Corporation and shall not be reproduced, in whole or in part, or used in any way for the manufacture or sale of items without written permission.



| REV | CHANGE NO |
|-----|-----------|
|     |           |

| FIRST USED ON OPTION/MODEL                                | QTY.   | DESCRIPTION                    | PART NO. | ITEM NO. |
|---|--------|--------------------------------|----------|----------|
| GT40  |        |                                |          |          |
| UNLESS OTHERWISE SPECIFIED DIMENSION IN INCHES TOLERANCES |        |                                |          |          |
| DECIMALS  | ANGLES | DATE                           |          |          |
|   |        |                                |          |          |
| REMOVE BURRS AND BREAK SHARP CORNERS SURFACE QUALITY      |        |                                |          |          |
| MATERIAL  |        |                                |          |          |
| FINISH  |        |                                |          |          |
| PARTS LIST  |        | TITLE                          |          |          |
| DIGITAL EQUIPMENT CORPORATION                             |        | UNBLANK AMP & 8 LEV INTEN CONT |          |          |
| DCS W684-0-1  |        | REV. H                         |          |          |

DCS W684-0-1 H