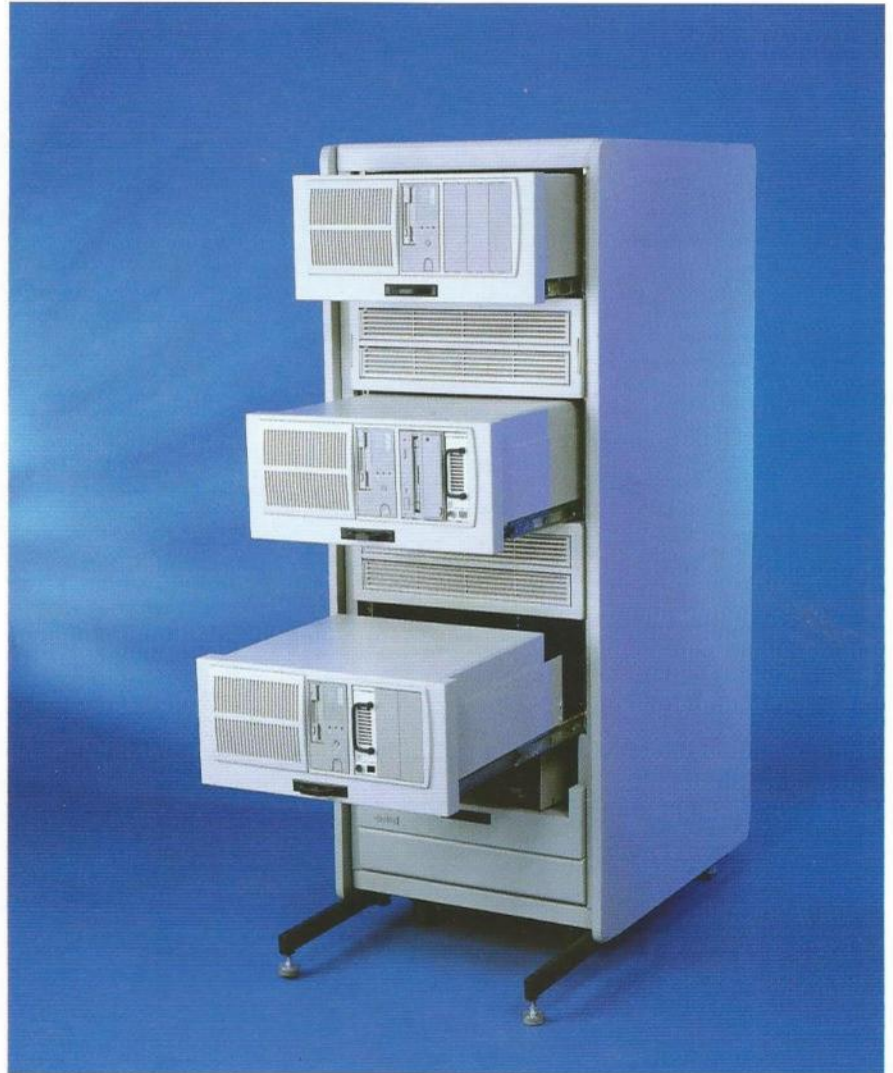


Rackmountable PC Shelf Assembly

Digital's Rackmountable Shelf Assembly Solution for the DECpc MT/MTE Series

digitalTM



A Versatile, Space-Saving Rackmountable Shelf Assembly for Digital's Micro-Tower Desktop/Deskside Systems.

Digital's new Rackmountable Solution for the DECpc MT/MTE Series is a slide-shelf assembly designed to compactly accommodate Digital's Micro-tower Desktop/Deskside Systems. This new rackmountable PC shelf assembly meets the needs of users who are benefiting from the outstanding performance and advanced features of the DECpc MT and MTE., and require a configuration that will save valuable space, provide convenience, and offer custom advantages where required.

PC Server configurations can now benefit from the option to consolidate multiple DECpc MT and MTE PCs and other peripherals into a standard 19-inch ANSI/EIA rack.

Highlights

- Enhances ergonomic versatility with all the power of deskside PCs, mounted horizontally in a space-saving rack
- All DECpc MT & MTE functional and physical features remain unchanged
- Front to rear airflow
- Occupies 8.75-inches vertical rack space
- Space savings allows integration of multiple Server PC System boxes (up to 7 in some racks) Competition can only mount up to "4"
- Field installable, in industry standard 19-inch ANSI/EIA cabinets
- Installation Guide included
- Sturdy design allows factory installed DECpc MT & MTE and cabinet to ship integrated
- Assembly includes: Frame bezel, side walls, rear z-bracket hold-down, shipping bracket and interlock bracket for stability of in-cabinet service
- Lockout chassis slides and a concealed pull handle, are added conveniences, for in cab service

Specifications

Physical

DECpc MT & MTE System Box "without slide shelf assembly. . .
17" High, x 17" Deep, x 7" Wide,
Estimated Weight 27 lbs MT
Weight 28 lbs MTE

Physical

. . .fits into Digital's NEW Rackmountable Slide-Shelf Solution
8.69" High x 19.19" Deep x 17.25" Wide
25 lbs Weight
NOTE: Fits into 8.75" RETMA rack space

Environmental / Electrical

Reference DECpc MTE Information Sheet EC-N0399-88
Reference DECpc MT Information Sheet EC-N0262-88

DECpc MT & MTE can be installed without any modification to the actual Deskside DECpc MT & MTE system box except that the system box is positioned horizontally into the slide shelf assembly.

The DECpc MT/MTE Lock-Out Side Shelf Assembly supports the following PCs:

DECpc MT (Intel-based)

ISA Bus

(A-la-carte Configurations)

DECpc 425dx MT 25 MHz

DECpc 433dx MT 33Mhz

DECpc 450d2 MT 50Mhz

DECpc 466d2 MT 66Mhz

DECpc MTE (Intel-based)

EISA Bus

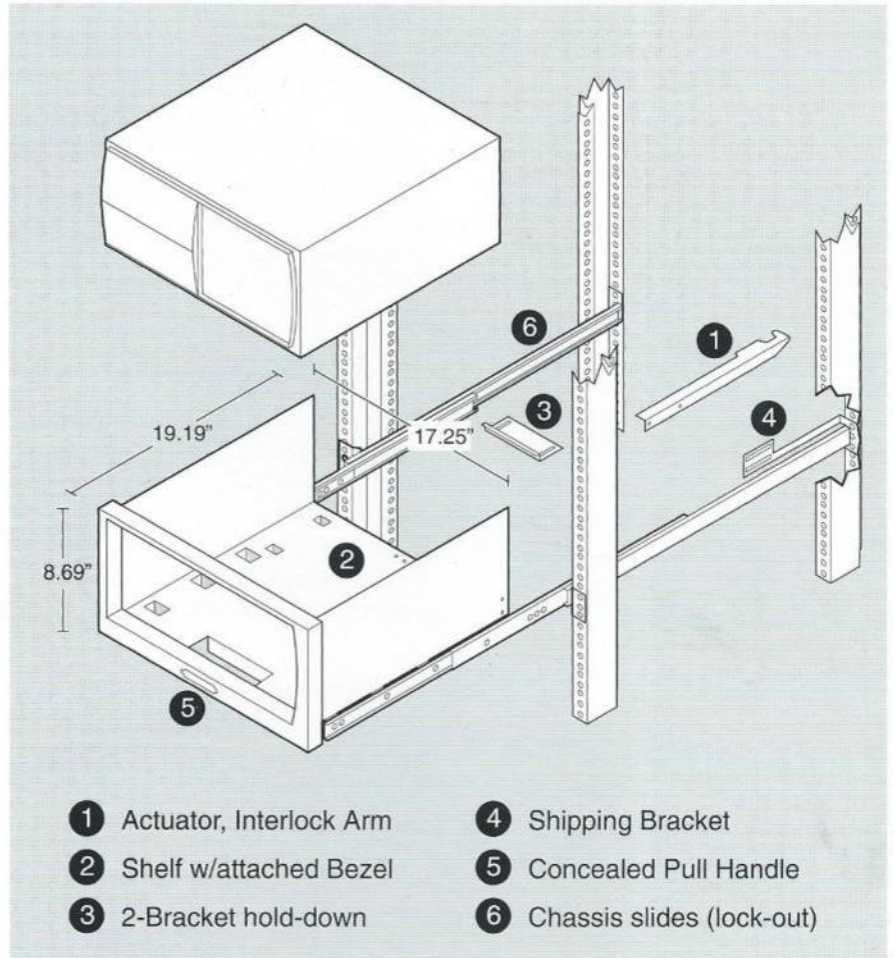
(A-la-carte and Packaged Configurations)

DECpc 433dx MTE 33Mhz

DECpc 466d2 MTE 66Mhz

Future PCs

All future PCs in the same DECpc MT & MTE system boxes will be able utilize this solution





Ordering Information

Rackmountable DECpc MT & MTE Slide Shelf Assembly

Part Number 2T-RAKPC-AA

Description 8.75" Slide Shelf for mounting DECpc MT & MTE

NOTE: DECpc MT & MTE and cabinets must be purchased separately
Custom integration solutions can be requested... 1-800-832-6277

DTN: 264-8990

The Digital Services Team

When you choose Digital's products, you have the full support of Digital's Services Organization. As the leading worldwide supplier of networked computer systems and services, Digital can help you plan, design, implement and manage your systems expansion and integration. Whether you need a standard product or a partner to work with you from start to finish, Digital will work with you to evaluate your application needs and help configure the most appropriate systems based on your business requirements.

For More Information

For more information about Digital's Rackmountable Solution for the DECpc MT/MTE Series and other Digital products, services, and solutions, call Digital's Services Team at 800-832-6277 or 603-884-8990 or contact your local Digital sales representative.

Digital believes the information in this publication is accurate as of its publication date; such information is subject to change without notice.

Digital is not responsible for any inadvertent errors. The products described in this publication may change due to enhancements and advances in technology. For the most current information, contact your nearest Digital sales office.

Digital conducts its business in a manner that conserves the environment.

DECpc, DECpc MT, DECpc MTE, and the DIGITAL logo are trademarks of Digital Equipment Corporation.