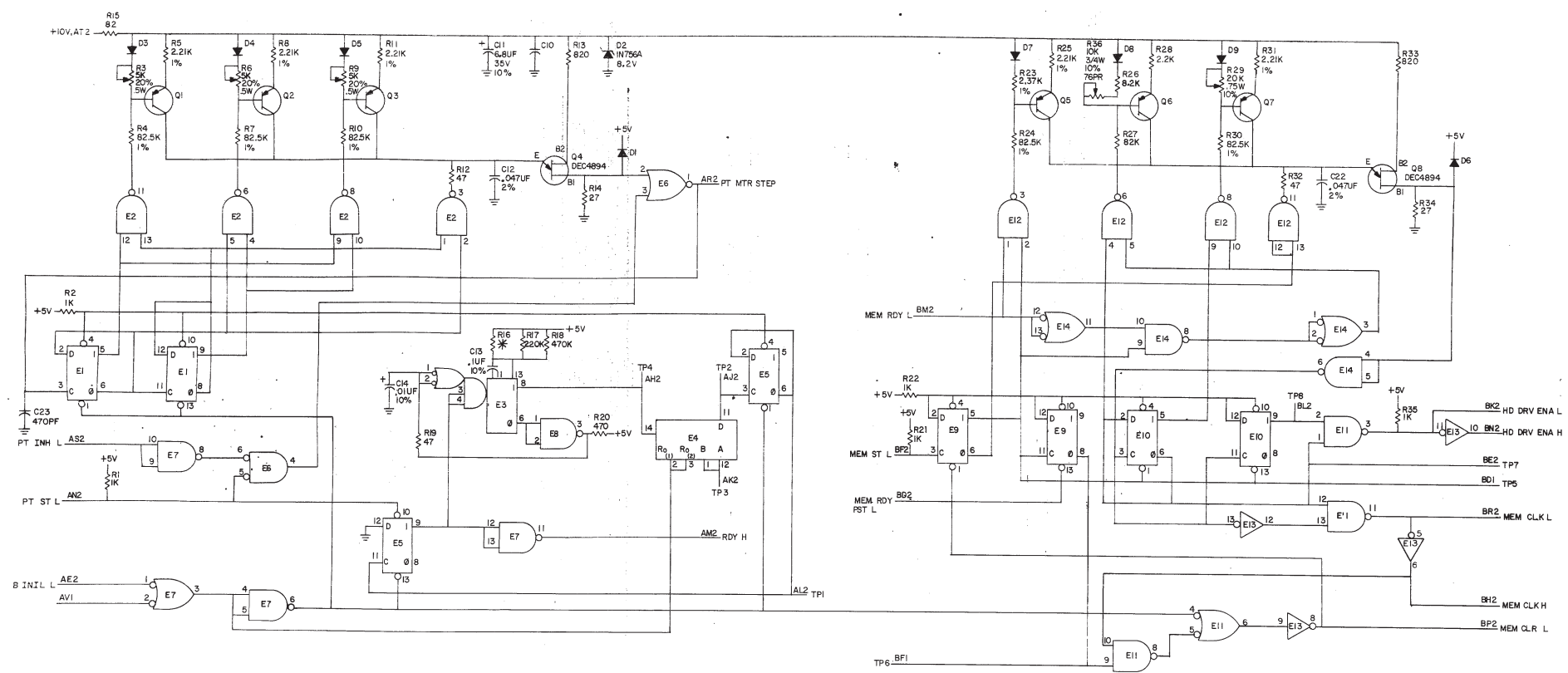


THIS SCHEMATIC IS FURNISHED ONLY FOR TEST AND MAINTENANCE PURPOSES. THE CIRCUITS ARE PROPRIETARY IN NATURE AND SHOULD BE TREATED ACCORDINGLY. COPYRIGHT 1971 BY DIGITAL EQUIPMENT CORPORATION



UNLESS OTHERWISE INDICATED:

- B2 = DEC4894
- E =
- BI =
- RESISTORS = 1/4W 5%
- CAPACITORS = .01UF, 100V, 20%
- DIODES = D664
- TRANSISTORS = DEC6534D
- DEC7474 = E1, E5, E9, E10
- DEC7400 = E7, E8, E11, E14
- DEC7402 = E6
- DEC7493 = E4
- DEC9601 = E3
- DEC7404 = E13
- DEC7426 = E2, E12
- PIN 10 = GND
- PIN 5 = +5V ON E4
- PIN 7 = GND
- PIN 14 = +5V ON ALL OTHER IC'S

\* R18 MAY BE CHOSEN FROM ONE OF THE FOLLOWING VALUES AS A COARSE PRINT TIME ADJUSTMENT

DEC P/N	VALUE
1302510	33K ±10%
1302514	33K

FINE ADJUSTMENT IS SELECTIVE REMOVAL OF R17 AND/OR R18  
 PRINT TIME IS 30 TO 33 M. SEC.

REV	DATE	BY	CHKD
1	3/23/71		
2	3/23/71		
3	3/23/71		
4	3/23/71		
5	3/23/71		

REV	DATE	BY	CHKD
1	3/23/71		
2	3/23/71		
3	3/23/71		
4	3/23/71		
5	3/23/71		

REV	DATE	BY	CHKD
1	3/23/71		
2	3/23/71		
3	3/23/71		
4	3/23/71		
5	3/23/71		

REV	DATE	BY	CHKD
1	3/23/71		
2	3/23/71		
3	3/23/71		
4	3/23/71		
5	3/23/71		

REV. F  
 NUMBER M7710-0  
 DATE CS