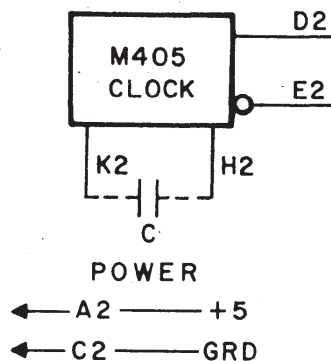


CRYSTAL CLOCK

M405

M

SERIES



The M405 clock employs a series resonant crystal oscillator to obtain a frequency stability of .01% of specified value between 0°C and +55°C. The clock frequency may be specified anywhere in the range of 5 KHz to 10 MHz by the customer.

Outputs: Outputs at pins D2 and E2 are respectively positive and negative going 0-+3 volt 50 nsec pulses. Pin D2 can drive 10 unit loads while E2 can drive only 9 unit loads. Pulses at pins D2 and E2 are time shifted by one gate delay with negative pulse at pin E2 leading the positive pulse at D2 by a maximum of 20 nsec. The output pulse width can be modified by the addition of an external capacitor between pins K2 and H2. This capacitor will increase the output pulse width by approximately 1 nsec per 2.5 mmfd of additional capacitance. Output pulse width should not exceed 100 nsec between MHz and 10 MHz and 10% of the period at any other frequency.

Power: +5 volts, 50 ma. (maximum)

Ordering Information: When ordering the M405 always specify frequency. Allow six weeks for delivery.

Standard Stock Frequencies: 1.333 MHz, 2.000 MHz, 5.000 MHz.

M405 — \$100
