

***** FIELD MAINTENANCE PRINT SET *****

"THE MATERIAL HEREIN IS FOR INFORMATION PURPOSES ONLY AND IS SUBJECT TO CHANGE WITHOUT NOTICE.
DIGITAL EQUIPMENT CORPORATION ASSUMES NO RESPONSIBILITY FOR ANY ERRORS WHICH MAY APPEAR HEREIN"

TABLE OF CONTENTS

DRAWING NUMBER	DESCRIPTION
K-TC-11785-A-DBF	11785-A CPU CABINET - TABLE OF CONTENTS
B-DD-11785-AA	11785 - DRAWING DIRECTORY
B-DD-11785-AC	11785 - DRAWING DIRECTORY
B-DD-11785-AD	11785 - DRAWING DIRECTORY
B-DD-11785-AE	11785-AE CPU CABINET DRAWING DIRECTORY
B-DD-11785-AJ	11785-AJ CPU CABINET DRAWING DIRECTORY
E-UA-11785-A-0	11785-A CPU CABINET - UNIT ASSEMBLY
K-PL-11785-A-DBP	11785-A CPU CABINET - PARTS LIST
K-SA-11785-A-DBF	11785-A CPU CABINET - SYSTEM ARRANGEMENT
D-IC-11785-A-1	11785-A CPU CABINET - POWER INTERCONNECT
D-IC-11785-A-2	11785-A CPU CABINET - BACKPLANE INTERCONNECT
D-IC-11785-A-3	11785-A CPU CABINET - S.B.I. INTERCONNECT
K-PL-7020580-0-DBP	11785-A CPU CABINET - SHIP LIST
K-DD-7018802-0-DBF	CAB + MECH. ASSY.
E-AD-7018802-0-0	CAB + MECH. ASSY.
K-PL-7018802-0-DBP	CAB + MECH. ASSY.
E-UA-M9043-0-0	SBI FAR END TERMINATOR
K-PL-M9043-0-DBP	SBI FAR END TERMINATOR
D-CS-M9043-0-1	SBI FAR END TERMINATOR
E-UA-M9040-0-0	SBI FRONT END TERMINATOR
B-PL-M9040-0-0	SBI FRONT END TERMINATOR
D-CS-M9040-0-1	SBI FRONT END TERMINATOR
D-UA-5413875-0-0	AC/AD ADAPTER BOARD
K-PL-5413875-0-DBP	AC/AD ADAPTER BOARD
D-CS-5413875-0-1	AC/AD ADAPTER BOARD
D-IA-7015253-0-0	POWER CORD ASSY. 120V
E-IA-7015254-0-0	POWER CORD ASSY. 240V
A-PL-H7101-0-0	POWER REGULATOR H7101
E-IC-H7101-0-1	POWER REGULATOR H7101
A-PL-H7102-0-0	POWER REGULATOR H7102
A-PL-H7103-0-0	POWER REGULATOR H7103
E-IC-H7103-0-1	POWER REGULATOR H7102 & H7103

TITLE										DOCUMENT NUMBER				
d	i	g	i	t	a	l	TABLE OF CONTENTS				SIZE!CODE!NUMBER			
							11785-A CPU CABINET				K ! TC ! 11785-A-DBF			
SHEET 2 OF 2										REV. C				

TW

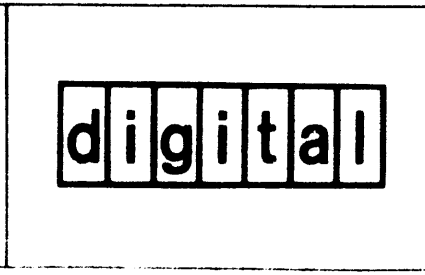
DRAWING NO.	NO. OF SHTS	PART NO.	DESCRIPTION	REVISIONS															
				00	00	01	01												
		11785-AA	SYSTEM REVISION																
MP-01747			FIELD MAINTENANCE PRINT SET																
K-TC-11785-A-DBF	3		TABLE OF CONTENTS	A	A	B	C												
K-PL-11785-A-DBP	3		PARTS LIST	A	B	C	D												
E-UA-11785-A-0	4		UNIT ASSEMBLY	A	B	B	C												
D-IC-11785-A-1	7		POWER INTERCONNECT DIAGRAM	A	A	A	B												
D-IC-11785-A-2	3		BACKPLANE INTERCONNECT	A	A	A	B												
D-IC-11785-A-3	3		SBI INTERCONNECT	A	A	A	B												
K-RM-11785-AA	2		REVISION MATRIX	-	A	B	B												
K-SA-11785-A-DBF	3		SYSTEM ARRANGEMENT	A	A	A	B												

NOTES:

REVISION HISTORY		DATE	ECO NO.	REV.
	RELEASE			A
10/84	11785-TW001			B
11/84	TW002			C
1/85	TW003			

THIS DRAWING AND SPECIFICATIONS, HEREIN, ARE THE PROPERTY OF DIGITAL EQUIPMENT CORPORATION AND SHALL NOT BE REPRODUCED OR COPIED OR USED IN WHOLE OR IN PART AS THE BASIS FOR THE MANUFACTURE OR SALE OF ITEMS WITHOUT WRITTEN PERMISSION

COPYRIGHT 1984 DIGITAL EQUIPMENT CORPORATION



USED ON OPTION/MODEL	DRN. Barbara Pelliccia	DATE 8 October 84	TITLE 11785
	CHK'D	DATE	DRAWING DIRECTORY
	DES. ENG. J. Beatty	DATE 11/19/84	DOCUMENT NUMBER
	RESP. ENG.	DATE	NUMBER 11785-AA
	MFG. ENG.	DATE	SIZE B DD
			SHEET 1 OF 1

11785-AC

DRAWING NO.	PART NO.	DESCRIPTION	REVISIONS			
			00	00	01	01
	11785-AC	SYSTEM REVISION				
		FIELD MAINTENANCE PRINT SET				
MP-01747						
K-TC-11785-A-DBF	3	TABLE OF CONTENTS	A	A	B	C
K-PL-11785-A-DBP	3	PARTS LIST	A	B	C	D
F-UA-11785-A-O	4	UNIT ASSEMBLY	A	B	B	C
D-IC-11785-A-1	7	POWER INTERCONNECT DIAGRAM	A	A	A	B
D-IC-11785-A-2	3	BACKPLANE INTERCONNECT	A	A	A	B
D-IC-11785-A-3	3	SBI INTERCONNECT	A	A	A	B
K-RM-11785-AC	2	REVISION MATRIX	-	A	B	B
K-SA-11785-A-DBF	3	SYSTEM ARRANGEMENT	A	A	A	B

NOTES:

REVISION HISTORY		REV
DATE	ECO NO.	
	RELEASE	
10/84	11785-TW001	A
11/84	TW002	B
1/85	TW003	C

ALL DIMENSIONS AND SPECIFICATIONS HEREIN ARE FOR THE EQUIPMENT OF DIGITAL EQUIPMENT COMPANY AND SHALL NOT BE REPRODUCED OR USED AS THE BASIS FOR REPRODUCTION OR IN PART AS THE BASIS FOR REPRODUCTION OF ANY OTHER EQUIPMENT WITHOUT THE WRITTEN PERMISSION OF DIGITAL EQUIPMENT COMPANY.



USED ON OPTION/MODEL

DRN <i>Barbara Pelliccia</i>	DATE 8 October 84
CHK'D	DATE
DES. ENG <i>J. Beatty</i>	DATE 11/19/84
RES. ENG	DATE

TITLE 11785 DRAWING DIRECTORY
SIZE B DD 11785-AC

11785-AD C

DRAWING NO.	PART NO.	DESCRIPTION	REVISIONS			
			00	00	01	01
	11785-AD	SYSTEM REVISION				
		FIELD MAINTENANCE PRINT SET				
MP-01747		TABLE OF CONTENTS	A	A	B	C
K-TC-11785-A-DBF 3		PARTS LIST	A	B	C	D
K-PL-11785-A-DBP 3		UNIT ASSEMBLY	A	B	B	C
E-UA-11785-A-0 4		POWER INTERCONNECT DIAGRAM	A	A	A	B
D-IC-11785-A-1 7		BACKPLANE INTERCONNECT	A	A	A	B
D-IC-11785-A-2 3		SBI INTERCONNECT	A	A	A	B
D-IC-11785-A-3 3		REVISION MATRIX	-	A	B	B
K-RM-11785-AD 2		SYSTEM ARRANGEMENT	A	A	A	B
K-SA-11785-A-DBF 3						

NOTES:

ALL DIMENSIONS HEREIN ARE
 UNLESS OTHERWISE SPECIFIED
 IN DECIMAL INCHES
 DIMENSIONS IN PARENTHESES ARE
 FOR INFORMATION ONLY



REVISION HISTORY		REV
DATE	ECO NO.	
	RELEASE	
10/84	11785-TW001	A
11/84	TW002	B
1/85	TW003	C

USED ON OPTION MODEL

DRN: Barbara Pelliccia
 CHK'D: [Signature]
 DES. ENG: [Signature]
 RESP. ENG: [Signature]

DATE: 8 October 84
 DATE: 11/19/84

11785
 DRAWING DIRECTORY
 B DD 11785-AD C

DRAWING NO.	NO OF SHTS	PART NO.	DESCRIPTION	REVISIONS																
		11785-AE	SYSTEM REVISION	01																
NP-C1747			FIELD MAINT. PRINT SET																	
K-TC-11785-A-DBF	2		TABLE OF CONTENTS	C																
K-PL-11785-A-DBP	3		PARTS LIST	D																
E-UA-11785-A-0	4		UNIT ASSEMBLY	C																
D-IC-11785-A-1	7		POWER INTERCONNECT DIAG.	B																
D-IC-11785-A-2	3		BACKPLANE INTERCONNECT	B																
D-IC-11785-A-3	3		SBI INTERCONNECT	B																
K-RM-11785-AE	2		REVISION MATRIX	A																
K-SA-11785-A-DBF	3		SYSTEM ARRANGEMENT	B																

NOTES:

REVISION HISTORY		REV.
DATE	ECO NO.	
1-85	INIT	A

THIS DRAWING AND THE SPECIFICATIONS CONTAINED HEREIN ARE CONFIDENTIAL AND PROPRIETARY. THEY ARE THE PROPERTY OF DIGITAL EQUIPMENT CORPORATION AND SHALL NOT BE REPRODUCED OR COPIED OR USED IN WHOLE OR IN PART AS THE BASIS FOR THE MANUFACTURE OR SALE OF ITEMS WITHOUT WRITTEN PERMISSION. THIS IS AN UNPUBLISHED WORK PROTECTED UNDER THE FEDERAL COPYRIGHT LAWS 1985



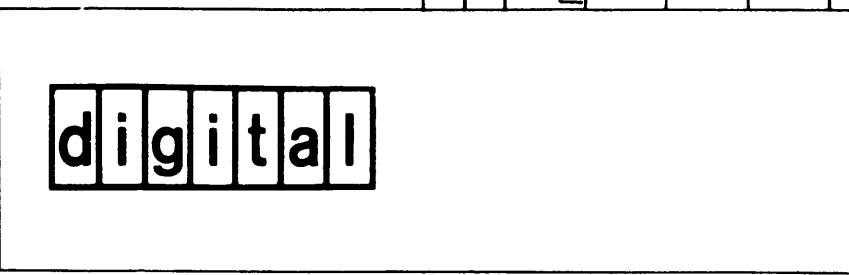
DRN	S. DUNCANSON	DATE	18 JAN 85	TITLE	11785		
CHK'D	T. MCCULLOUGH	DATE	18 JAN 85		DRAWING DIRECTORY		
DES. ENG.	S. DUNCANSON	DATE	18 JAN 85	DOCUMENT NUMBER			
RESP. ENG.	S. DUNCANSON	DATE	18 JAN 85	SIZE	CODE	NUMBER	REV
MFG. ENG.	C. HEANEY	DATE	18 JAN 85	B	DD	11785-AE	A
						SHEET	OF

DRAWING NO.	NO OF SHTS	PART NO.	DESCRIPTION	REVISIONS															
				01															
		11785-AJ	SYSTEM REVISION	01															
MP-C1747			FIELD MAINT. PRINT SET																
K-TC-11785-A-DBF	3		TABLE OF CONTENTS	C															
K-PL-11785-A-DBP	3		PARTS LIST	D															
E-UA-11785-A-0	4		UNIT ASSEMBLY	C															
D-IC-11785-A-1	7		POWER INTERCONNECT DIAG.	B															
D-IC-11785-A-2	3		BACKPLANE INTERCONNECT	B															
D-IC-11785-A-3	3		SBI INTERCONNECT	B															
K-RM-11785-AJ	2		REVISION MATRIX	A															
K-SA-11785-A-DBF	3		SYSTEM ARRANGEMENT	B															

NOTES:

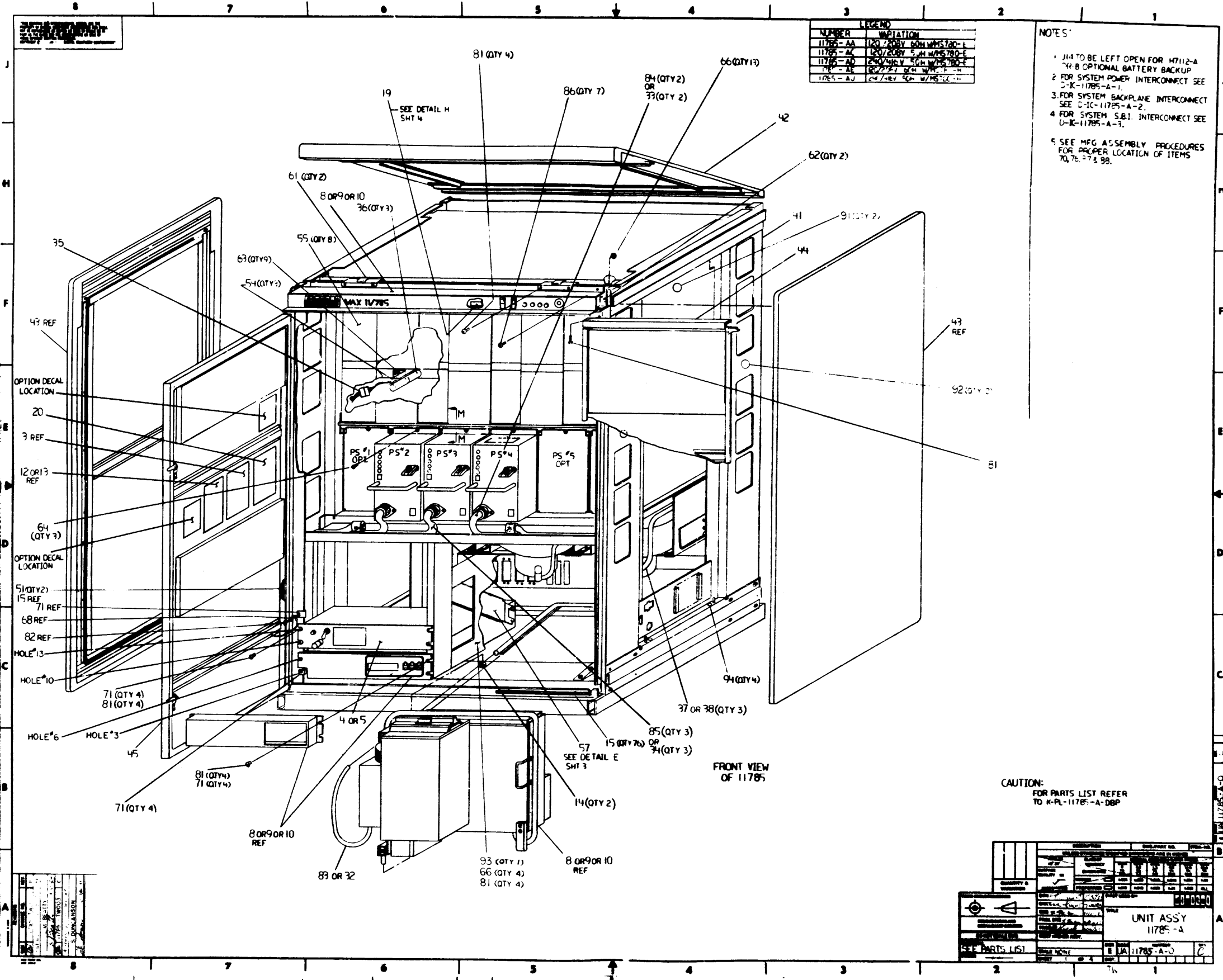
REVISION HISTORY		DATE	ECO NO	REV
		1-85	INIT	A

THIS DRAWING AND THE SPECIFICATIONS CONTAINED HEREIN ARE CONFIDENTIAL AND PROPRIETARY. THEY ARE THE PROPERTY OF DIGITAL EQUIPMENT CORPORATION AND SHALL NOT BE REPRODUCED OR COPIED OR USED IN WHOLE OR IN PART AS THE BASIS FOR THE MANUFACTURE OR SALE OF ITEMS WITHOUT WRITTEN PERMISSION. THIS IS AN UNPUBLISHED WORK PROTECTED UNDER THE FEDERAL COPYRIGHT LAWS 1985



DRN.	S. DUNCANSON	DATE	21 JAN 85
CHK'D	T. MCCULLOUGH	DATE	21 JAN 85
DES. ENG.	S. DUNCANSON	DATE	21 JAN 85
RESP. ENG.	S. DUNCANSON	DATE	21 JAN 85
MFG. ENG.	C. HEANEY	DATE	21 JAN 85

TITLE	11785 DRAWING DIRECTORY		
DOCUMENT NUMBER	11785-AJ		
SIZE	CODE	NUMBER	REV
B	DD	11785-AJ	A
SHEET		1	OF



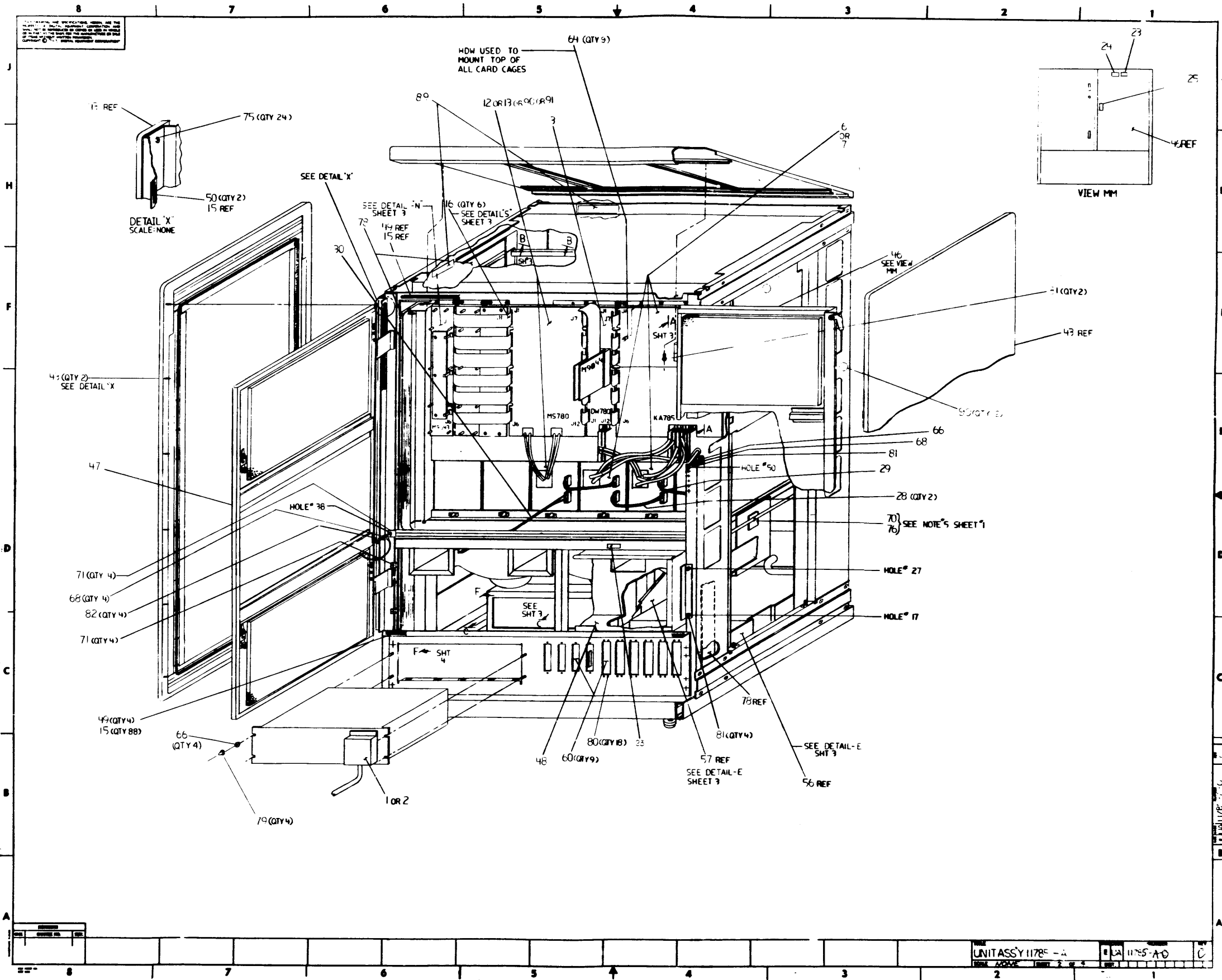
NUMBER	DESCRIPTION
11785-AA	120/240V 50/60HZ 100VA
11785-AC	120/240V 50/60HZ 100VA
11785-AD	120/240V 50/60HZ 100VA
11785-AE	120/240V 50/60HZ 100VA
11785-AJ	120/240V 50/60HZ 100VA

- NOTES:
1. J14 TO BE LEFT OPEN FOR 11712-A 74-B OPTIONAL BATTERY BACKUP
 2. FOR SYSTEM POWER INTERCONNECT SEE D-K-11785-A-1.
 3. FOR SYSTEM BACKPLANE INTERCONNECT SEE D-IC-11785-A-2.
 4. FOR SYSTEM S.B.I. INTERCONNECT SEE D-K-11785-A-3.
 5. SEE MFG ASSEMBLY PROCEDURES FOR PROPER LOCATION OF ITEMS 70, 76, 77 & 98.

FRONT VIEW OF 11785

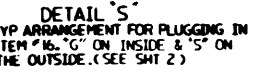
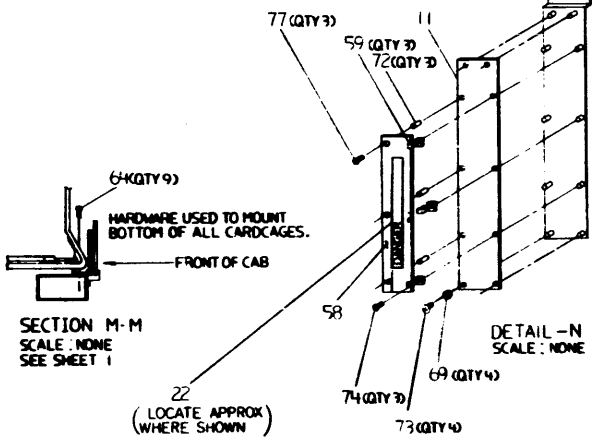
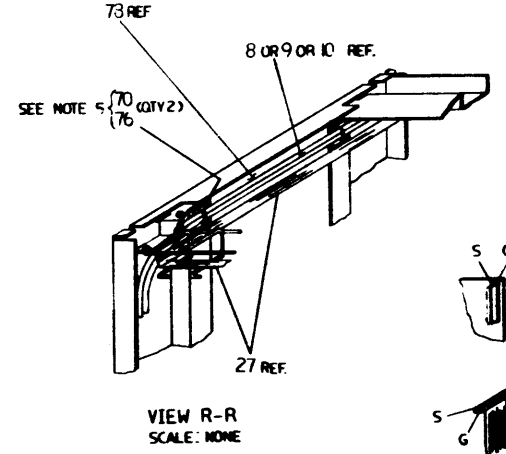
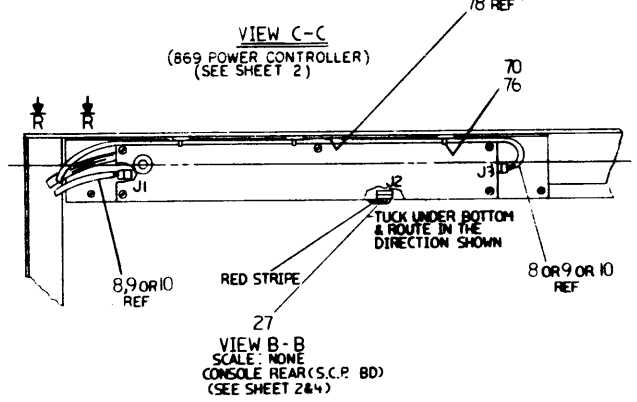
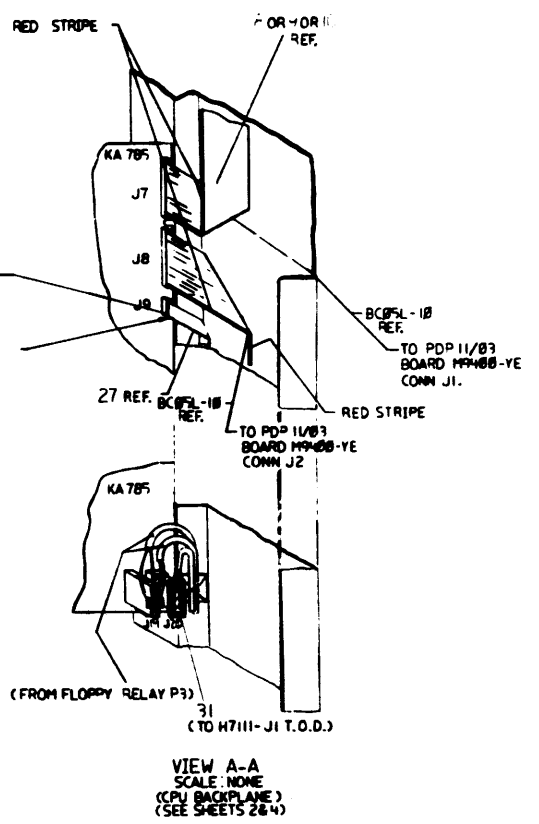
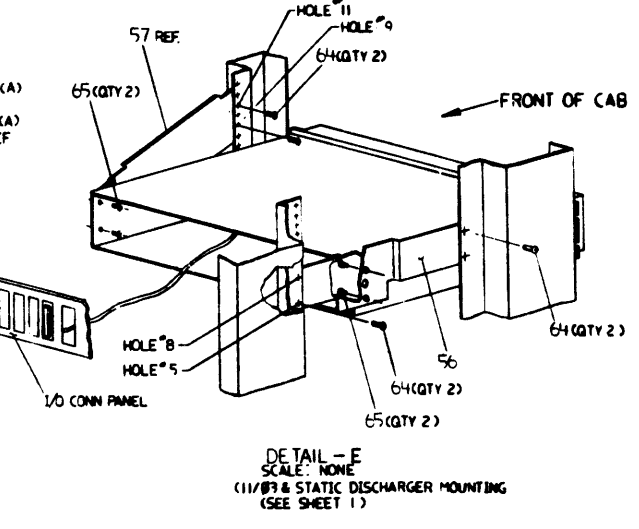
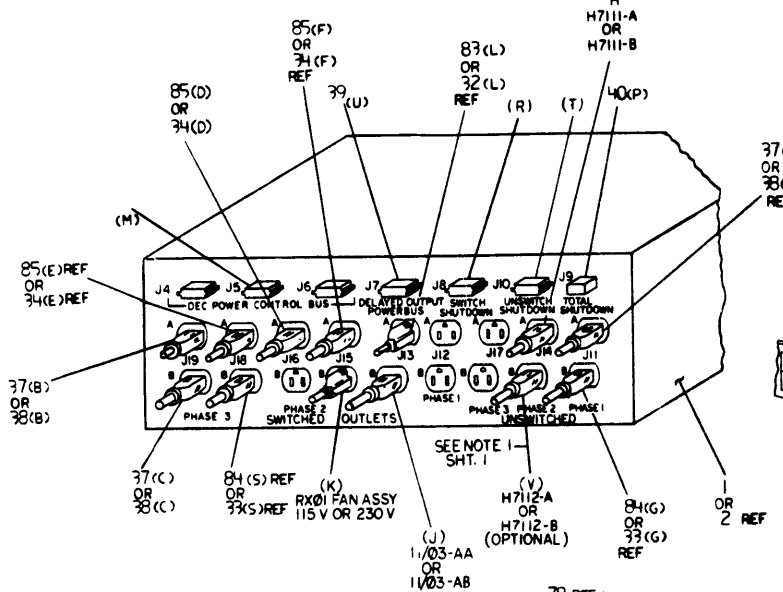
CAUTION: FOR PARTS LIST REFER TO K-PL-11785-A-D8P

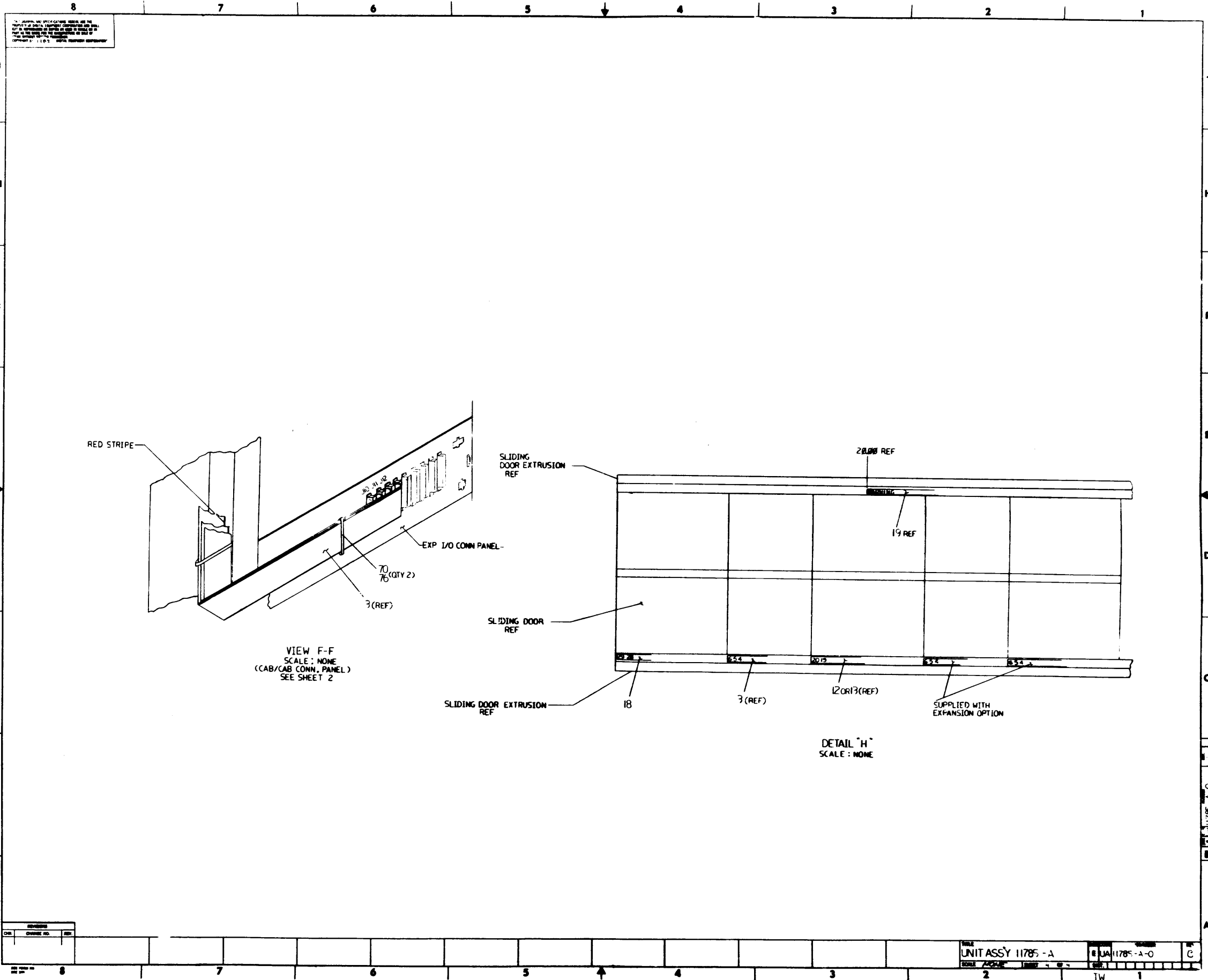
QTY	DESCRIPTION	REF
1	UNIT ASSY 11785-A	
1	11785-A-0	



869 POWER CONN TABLE (SEE NOTES 3 & 4)

ITEM	REF	PART NUMBER	FROM	TO	REMARKS	ITEM	REF	PART NUMBER	FROM	TO	REMARKS
37	A	7014323-06	J11-A	BLOWER #2	115 V	REF	H		J14-A	H7111-B	230 V
37	A	7014324-06	J11-A	BLOWER #2	230 V	REF	J		J13-B	PDP11/03 A A	115 V
37	B	7014323-06	J19-A	BLOWER #1	115 V	REF	J		J13-B	PDP11/03 A B	230 V
38	B	7014324-06	J19-A	BLOWER #1	230 V	REF	K	7017428-00	J15-B	RX01 FAN ASSY	115 V
37	C	7014323-06	J19-B	BLOWER #3	115 V	REF	K	7017428-01	J15-B	RX01 FAN ASSY	230 V
36	C	7014324-06	J19-B	BLOWER #3	230 V	REF	L	9107673-03	J13-A	RX01 RELAY P1	115 V
85	D	9107673-09	J16-A	NC(REF PS1-J)	115 V	REF	L	7014308-03	J13-A	RX01 RELAY P1	230 V
74	D	7014308-09	J16-A	NC(REF PS1-J)	230 V	REF	M	7014242-08	J5	SCP-J1	115V(230V)
85	E	9107673-09	J18-A	PS #2-J1	115 V	REF	P	7016001-4A	J9	PS #3-J4	
74	E	7014308-09	J18-A	PS #2-J1	230 V	REF	S	9107673-06	J18-B	NC(REF PS1-J)	115 V
85	F	9107673-09	J15-A	PS #3-J1	115 V	REF	S	7014308-06	J18-B	NC(REF PS1-J)	230 V
74	F	7014308-09	J15-A	PS #3-J1	230 V	REF	R	7014319-00	J8	AFS1, AFS3	
84	G	9107673-06	J11-B	PS #4-J1	115 V	REF	Y	7014319-00	J10	AFS2	
73	G	7014308-06	J11-B	PS #4-J1	230 V	REF	U	705442-03	J7	J8 1/0 EXP.	
H			J14-A	H7111-A	115 V		V		J14-B	H712-B	115 V
										H712-B	230 V





PARTS LIST

LINE	ITEM	TOP DOCUMENT	PART NUMBER	MIN REV	DESCRIPTION	QTY PER VARIATION				
						AA	AC	AD	AE	AJ
						VARIATION REVISION LEVEL:				
						01	01	01	01	01
1	1	B-DD-869-0-0	00869-D		POWER CONTROL W/PWR SEQUENCING,4	1	1	-	1	-
2	2	B-DD-869-0-0	00869-E		869-D POWER CONTROL EXCEPT 240V	-	-	1	-	1
3	3	B-DD-DW780-0-0	DW780-00		11780 UNIBUS ADAPTOR ASSY	1	1	1	1	1
4	4	B-DD-H7111-0-0	H7111-A		POWER SUPPLY TOD 120V	1	1	-	1	-
5	5	B-DD-H7111-0-0	H7111-B		POWER SUPPLY TOD 240V	-	-	1	-	1
6	6	K-DD-KA785-0-DBF	KA785-AA		M7459-M7477,M7540-M7544,H7100-A,	1	1	-	1	-
7	7	K-DD-KA785-0-DBF	KA785-AB		M7459-M7477,M7540-M7544,H7100-A,	-	-	1	-	1
8	8	K-DD-KC785-F-DBF	KC785-FA		FCC 11785 CONSOLE: 11/03-AA,MSV1	1	-	-	1	-
9	9	K-DD-KC785-F-DBF	KC785-FC		FCC KC785-FA EXCEPT RX01-VC,120V	-	1	-	-	-
10	10	K-DD-KC785-F-DBF	KC785-FD		FCC KC785-FA EXCEPT 11/03-AB,RX0	-	-	1	-	1
11	11	B-DD-M9043-0-0	M9043-00		11780,SBI (BACKPLANE TERMINATOR)	1	1	1	1	1
12	12	B-DD-MS780-E-0	MS780-EC		2MB MEM + CONT (MS780-EA EXCEPT	1	1	-	-	-
13	13	B-DD-MS780-E-0	MS780-ED		2MB MEM + CONT (MS780-EB EXCEPT	-	-	1	-	-
14	14		1213001-00		BUSHING,PIVOT POLYCA .31 IDX	2	2	2	2	2
15	15		1221535-01		CLIP,NYLON FOR RF GASKET	76	76	76	76	76
16	16		1700087-01		CABLE,RIBBON,20 COND. ASSY FLAT	6	6	6	6	6
17	17	BLANK			*** THIS ITEM IS NOT USED ***	-	-	-	-	-
18	18		3613281-05		LABEL,ADHESIVE BACK FOR BA11-K	1	1	1	1	1
19	19		3614744-00		LABEL,WARNING SWITCH OFF MEMORY	1	1	1	1	1
20	20		3622437-01		LABEL,MODULE UTILIZATION KA785	1	1	1	1	1
21	21		3622438-01		LABEL,SYSTEM REV 11/785	1	1	1	1	1
22	22		3615087-02		LABEL,"DANGER-HIGH CURRENT"	1	1	1	1	1
23	23		3617674-01		LABEL,SERIAL/POWER W UL & CSA	2	2	2	2	2
24	24		3617880-02		LABEL,FCC,CLASS A,PROCESSOR	1	1	1	1	1
25	25		3618307-05		ASSY,04,01	1	1	1	1	1
26	26		3700711-01		PKG SYSTEM 11780 (VAX FCC)	1	1	1	1	1
27	27	D-IA-7011411-0-0	7011411-07		CABLE CONSOLE BACKPLANE	1	1	1	1	1
28	28	D-IA-7014213-0-0	7014213-0K		CAB OVER TEMP	2	2	2	2	2
29	29	D-IA-7014213-0-0	7014213-3E		CAB OVER TEMP	1	1	1	1	1
30	30	D-IA-7014213-0-0	7014213-4A		CABLE OVER TEMP	1	1	1	1	1

REVISION HISTORY			BASIC PART NO: 11785		DRN: D. HERTZ		DATE: 04-OCT-83		D I G I T A L			
ENG:	ECO NUMBER	REV	SECTION A OF A		CHK'D:	R. NELSON	DATE:	04-OCT-83	TITLE PARTS LIST			
---	INITIAL	A	SECTION.VARIATION INDEX		DES.ENG:	R. NELSON	DATE:	04-OCT-83	UNIT ASSEMBLY 11785-A			
JB	11785-TW001	B	[A]AA,AC,AD,AE,AJ						DOCUMENT NUMBER			
JB	11785-TW002	C	(B)		RESP.ENG.:	R. NELSON	DATE:	04-OCT-83	SIZE:	CODE:	NUMBER	REV
SD	11785-TW003	D	(C)						K	PL	11785-A-DBP	D
			(D)		MFG.ENG.:	M. KRYSAK	DATE:	04-OCT-83	RELEASE DATE: 25-JAN-85			
			(E)		ASSEMBLY NUMBER:	E-UA-11785-A-0	TOP DOCUMENT NUMBER:	K-DD-11785-A-DBF	FILE NAME:	Z8100D.PLS	EDIT #	3
			(F)									

"THIS DRAWING AND THE SPECIFICATIONS CONTAINED HEREIN ARE CONFIDENTIAL AND PROPRIETARY. THEY ARE THE PROPERTY OF DIGITAL EQUIPMENT CORPORATION AND SHALL NOT BE REPRODUCED OR COPIED OR USED IN WHOLE OR IN PART AS THE BASIS FOR THE MANUFACTURE OR SALE OF ITEMS WITHOUT WRITTEN PERMISSION. THIS IS AN UNPUBLISHED WORK PROTECTED UNDER THE FEDERAL COPYRIGHT LAWS."

AUTOMATED BY PRTLST.4Q(50)

PARTS LIST

SHEET A2 OF A3

LINE	ITEM	TOP DOCUMENT	PART NUMBER	MIN REV	DESCRIPTION	QTY PER VARIATION				
						AA	AC	AD	AE	AJ
31	31	D-IA-7014248-0-0	7014248-3M		CABLE TOD BATTERY	1	1	1	1	1
32	32	D-IA-7014308-0-0	7014308-03		POWER CORD ASSY 230V	-	-	1	-	1
33	33	D-IA-7014308-0-0	7014308-06		POWER CORD ASSY 230V	-	-	2	-	2
34	34	D-IA-7014308-0-0	7014308-09		POWER CORD ASSY 230V	-	-	3	-	3
35	35	D-IA-7014319-0-0	7014319-00		HARNNESS AIRFLOW SENSE	1	1	1	1	1
36	36	D-IA-7014320-0-0	7014320-0E		AIR FLOW SENSOR ASSY.	3	3	3	3	3
37	37	D-IA-7014323-0-0	7014323-06		POWER CORD FAN 115V	3	3	-	3	-
38	38	D-IA-7014324-0-0	7014324-06		POWER CORD FAN 230V	-	-	3	-	3
39	39	D-IA-7015442-0-0	7015442-03		CABLE,POWER BUSS	1	1	1	1	1
40	40	D-IA-7016001-0-0	7016001-4A		OVER TEMP ADAPTER CABLE	1	1	1	1	1
41	41	K-DD-7018802-0-DBF	7018802-00		VAX CAB + MECH, ASSY (FCC)	1	1	1	1	1
42	42	E-IA-7019149-0-DBU	7019149-00		COVER, TOP WELDMENT (DW)	1	1	1	1	1
43	43	E-IA-7019485-0-DBU	7019485-00		END PANEL ASSY.	2	2	2	2	2
44	44	E-AD-7019535-0-DBU	7019535-00		DOOR ASSEMBLY FRONT R.H.	1	1	1	1	1
45	45	E-AD-7019536-0-DBU	7019536-00		DOOR ASSEMBLY FRONT L.H.	1	1	1	1	1
46	46	E-AD-7019539-0-DBU	7019539-00		DOOR ASSEMBLY REAR R.H.	1	1	1	1	1
47	47	E-AD-7019540-0-DBU	7019540-00		DOOR ASSEMBLY REAR L.H.	1	1	1	1	1
48	48	E-IA-7019600-0-0	7019600-00		PLENUM, AIR, WELDMENT (DOUBLE)	1	1	1	1	1
49	49	D-AD-7019605-0-0	7019605-20		GASKET ASSY.	4	4	4	4	4
50	50	D-AD-7019605-0-0	7019605-23		GASKET ASSY.	2	2	2	2	2
51	51	D-AD-7019605-0-0	7019605-25		GASKET ASSY.	2	2	2	2	2
52	52	K-PL-7020580-0-DBP	7020580-01		SHIP LIST 11785	1	1	1	1	1
53	53	BLANK			*** THIS ITEM IS NOT USED ***	-	-	-	-	-
54	54	B-IA-7417857-0-0	7417857-00		MTG BRACKET	3	3	3	3	3
55	55	C-IA-7417934-0-0	7417934-00		DOOR, SLIDING	8	8	8	8	8
56	56	C-IA-7418178-0-0	7418178-00		END PLATE SUPPORT TUBE	1	1	1	1	1
57	57	D-IA-7418962-0-0	7418962-00		NONE AT THIS TIME	1	1	1	1	1
58	58	C-MD-7419451-0-0	7419451-00		COVER, S.B.I. TERMINATOR	1	1	1	1	1
59	59	C-MD-7419456-0-0	7419456-00		MOUNTING BLOCK TERMINATOR COVER	3	3	3	3	3
60	60	C-IA-7426037-0-0	7426037-00		PLATE,I/O COVER-DOUBLE	9	9	9	9	9
61	61	C-MD-7426875-0-DBU	7426875-01		BRACKET,COVER,CLIP	2	2	2	2	2
62	62	C-IA-7428504-0-0	7428504-01		BRACKET,CONSOLE MOUNTING	2	2	2	2	2
63	63		9009701-00		SCREW,SEMS PAN PHIL 6-	9	9	9	9	9
64	64		9000049-51		SCREW,SEMS TRUSS PHIL 8-	27	27	27	27	27
65	65		9006021-02		SCREW,MACH FLAT PHIL 6-	4	4	4	4	4
66	66		9006565-00		NUT,HEX EXT TOOTH LCKWSHR 10-32	22	22	22	22	22
67	67		9006658-00		WASHER,FLAT STEEL	3	3	3	3	3
68	68		9006664-00		WASHER,FLAT SST	5	5	5	5	5
69	69		9006707-00		WASHER,FLAT NYLON	4	4	4	4	4
70	70		9007032-00		TIE,CABLE BUNDL.DIA 0-1-3/4"=101	75	75	75	75	75
71	71		9007786-00		RETAINER,U-NUT 10-32X	16	16	16	16	16
72	72		9007831-00		SPACER,CLEAR HOLE RND PHEN 13/6	3	3	3	3	3
73	73		9008037-01		SCREW,MACH PAN PHIL 6-	4	4	4	4	4
74	74		9007853-01		SCREW,MACH PAN PHIL 6-	3	3	3	3	3
75	75		9008203-00		NUT,HEX EXT TOOTH LCKWSHR 1/4-20	24	24	24	24	24
76	76		9008264-00		MOUNT, CABLE TIE, ADHESIVE BACKE	104	104	104	104	104
77	77		9008911-01		SCREW,MACH PAN PHIL 6-	3	3	3	3	3
78	78		9009087-00		FOAM, TAPE, SINGLE SIDED 1/8 THK	28	28	28	28	28

D	I	G	I	T	A	L	TITLE	UNIT ASSEMBLY 11785-A	SECTION A	OF A	SIZE	CODE	DOCUMENT NUMBER	REV
											K	PL	11785-A-DBP	D

AUTOMATED BY PRTLST.4Q(50)

P A R T S L I S T

SHEET A3 OF A3

LINE ITEM	TOP DOCUMENT	PART NUMBER	MIN REV	DESCRIPTION	QTY PER VARIATION				
					AA	AC	AD	AE	AJ
					01	01	01	01	01
79	79	9006610-00		NUT,CAP,RELOCK 10-32X .438AF NYL	4	4	4	4	4
80	80	9009546-00		SCREW,SEMS PAN PHIL 4-	18	18	18	18	18
81	81	9009700-00		SCREW,SEMS TRUSS PHIL 10-	25	25	25	25	25
82	82	9010156-00		SCREW,SEMS HEX 10-	4	4	4	4	4
83	83	9107673-03		PWR CORD,TERM 3-14 SJT 115	1	1	-	1	-
84	84	9107673-06		PWR CORD,TERM 3-14 SJT 115	2	2	-	2	-
85	85	9107673-09		PWR CORD,TERM 3-14 SJT 115	3	3	-	3	-
86	86	9006071-03		SCREW,MACH TRUSS PHIL 10-	7	7	7	7	7
87	87	9007880-00		TIE,CABLE BUNDL DIA 0-1.14"=101	37	37	37	37	37
88	88	9009617-00		TIE,CABLE BUNDL DIA 0-3"TYPE=101	20	20	20	20	20
89	89	9008228-00		FOAM TAPE, SINGLE COATED VINYL 1	12	12	12	12	12
90	90	3614603-00		LABEL,REMOVABLE,"DO NOT PUSH"	2	2	2	2	2
91	91	3614604-00		LABEL,REMOVABLE,FOR H9500	2	2	2	2	2
92	92	3614605-00		LABEL,REMOVABLE,"PUSH"	2	2	2	2	2
93	93	7430134-01		SHIELD,POWER CABLE	1	1	1	1	1
94	94	B-DD-MS780-H-O	MS780-HA	16MB MEM+CONT: 2 M8375,M8376,2 M	-	-	-	1	-
95	95	B-DD-MS780-H-O	MS780-HB	MS780-HA EXCEPT H7100-B,240V	-	-	-	-	1

96 NOTE: QTY'S FOR ITEMS 78 AND 89 ARE IN INCHES

D I G I T A L	TITLE	UNIT ASSEMBLY 11785-A	SECTION A OF A	SIZE	CODE	DOCUMENT NUMBER	REV
				K	PL	11785-A-DBP	D

GENERAL CONFIGURATION CONTROL INFORMATION FOR THE 11785-A CABINET

INTRODUCTION

THIS DOCUMENT CONTAINS THE INFORMATION FOR CONFIGURING THE EXPANSION SPACE WITHIN THE 11785-A CPU CABINET. THE CONFIGURATION INFORMATION CONTAINED HEREIN MUST BE ADHERED TO IN ORDER TO MAINTAIN CONFORMANCE TO DEC STANDARDS.

GENERAL 11785-A CONFIGURATION RULES

1. THE 11785-A CONSOLE TERMINAL CONNECTS TO THE REAR I/O BULKHEAD CONNECTOR LOCATION D (SEE FIGURE #1 REAR VIEW).
2. SYSTEM EXPANSION IS TO THE RIGHT OF THE 11785-A CPU CABINET. RIGHTHAND EXPANSION REQUIRES THE UNIBUS EXPANDER CAB(S) (H9652-M) BE ATTACHED TO RIGHT SIDE OF THE CPU CAB. IF THE SYSTEM CONTAINS ANY SBI EXPANDER CABS (H9652-H), THEY MUST BE PLACED BETWEEN THE CPU AND UNIBUS CABINETS.

ECO HISTORY				!DRN: R. NELSON	!DATE: 1-SEP-83	! d ! i ! g ! i ! t ! a ! l !
ENG!	ECO NUMBER	!REV!	ENG!	ECO NUMBER	!REV!	! TITLE
RAN!	INIT.	! A !	!	!	!	CONFIGURATION CONTROL
S.D!	11785-TW003	! B !	!	!	!	11785-A CABINET
!	!	!	!	!	!	DOCUMENT NUMBER
!	!	!	!	!	!	SIZE!CODE!NUMBER
!	!	!	!	!	!	K ! SA ! 11785-A-DBF
!	!	!	!	!	!	! REV.
!	!	!	!	!	!	! B
!	!	!	!	!	!	! SHEET 1 OF 3
!	!	!	!	!	!	!

! THIS DRAWING AND SPECIFICATIONS HEREIN, ARE THE PROPERTY OF DIGITAL EQUIPMENT CORPORATION AND SHALL NOT BE REPRODUCED OR COPIED OR USED IN WHOLE OR IN PART AS THE BASIS FOR THE MANUFACTURE OR SALE OF ITEMS WITHOUT WRITTEN PERMISSION. COPYRIGHT (C) 1983 DIGITAL EQUIPMENT CORPORATION"

GENERAL CONFIGURATION CONTROL INFORMATION FOR THE 11785-A CABINET

11785-A CABINET LAYOUT

THIS LAYOUT SHOWS THE EXPANSION SPACE AND I/O BULKHEAD CONNECTOR LOCATIONS OF THE 11785-A CABINET. TABLE #1 LISTS THE ALLOWABLE 11785-A EXPANSION OPTIONS. IT ALSO INDICATES MOUNTING AND BULKHEAD LOCATIONS REQUIRED BY THESE OPTIONS.

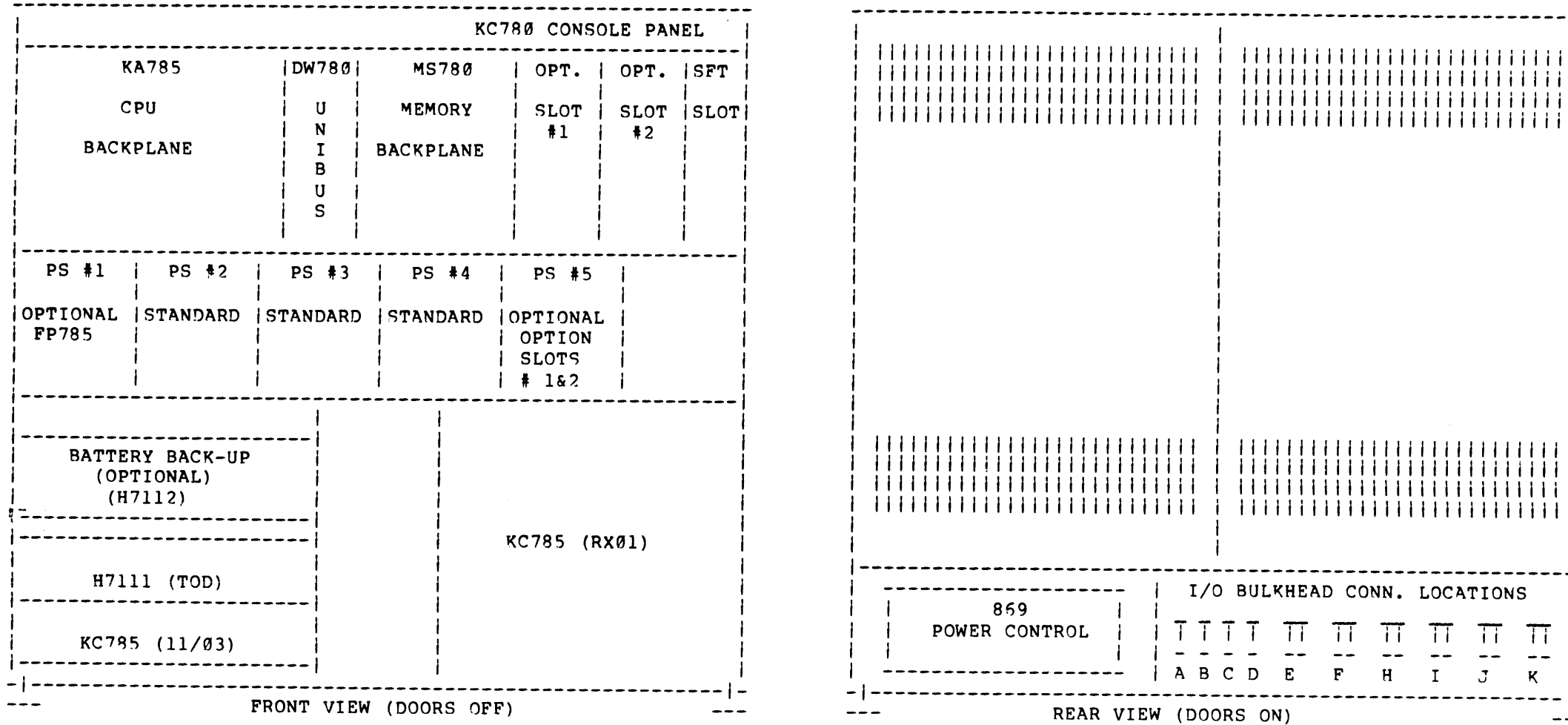


FIGURE #1

LAYOUT OF 11785-A CABINET

TITLE		DOCUMENT NUMBER	
d i g i t a l	CONFIGURATION CONTROL		
	11785-A CABINET	SHEET 2 OF 3	SIZE: CODE: NUMBER
			REV. B
			11785-A-DBF

TW

GENERAL CONFIGURATION CONTROL INFORMATION FOR THE 11785-A CABINET

11785-A ALLOWABLE EXPANSION OPTIONS

TABLE #1

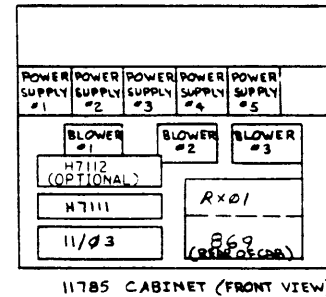
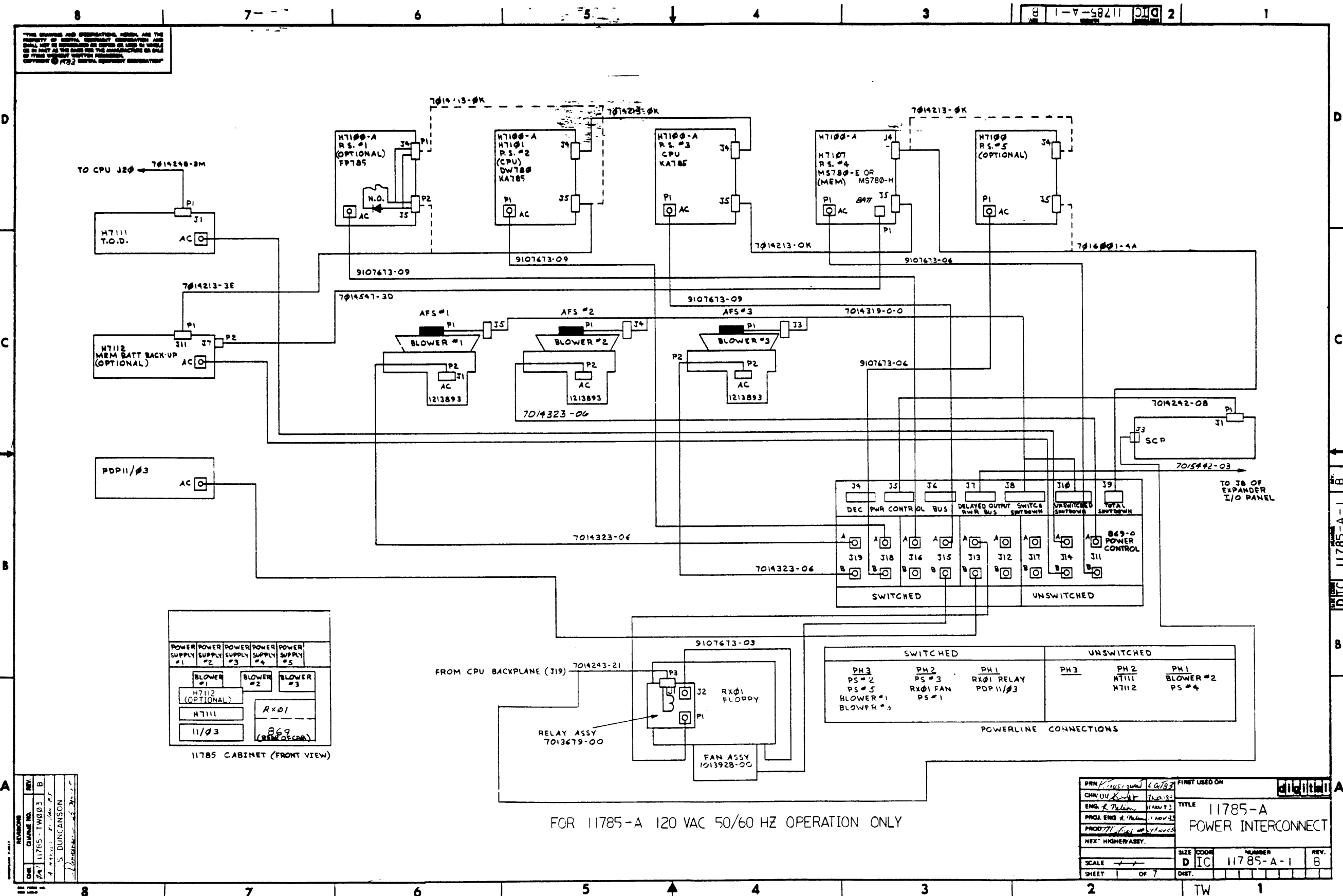
OPTION NAME (SEE NOTE 1)	DESCRIPTION	MOUNTING LOCATION(S) (SEE FIGURE #1)	BULKHEAD CONN. LOCATION(S) (SEE FIGURE #1)	NOTES
FP785-AA/-AB	FLOATING POINT	CPU BACKPLANE SLOTS 24-28 & PS #1	NONE	
MS780-F	MEMORY ARRAYS MODULES	MEMORY BACKPLANE	NONE	5
RH780-AA/-FB	MASSBUS ADAPTER (MBA)	OPTION SLOTS 1 OR 2	E - K ONE LOC. PER RH780	2
DR780-AA/-FB	GENEARL PURPOSE INTERFACE	OPTION SLOTS 1 OR 2	E - K ONE LOC. PER DR780	2 & 6
DW780-AA/-AB	UNIBUS ADAPTER (UBA)	OPTION SLOTS 1 OR 2	NONE	2 & 4
CI780-AA/-AB	COMPUTER INTERCONNECT	OPTION SLOTS 1 OR 2	E - K TWO LOC. PER CI780	2, 6 & 7
H7112-A/-B/-C	BATTERY BACKUP	AS SHOWN USING HOLE #'S 21 & 25	NONE	
MS780-H/-J	MEMORY	MEMORY BACKPLANE	NONE	5

NOTES:

- THE INSTRUCTIONS FOR INSTALLING EXPANSION OPTIONS ARE IN THE OPTIONS' PRINT SETS. ALSO REFER TO THE FOLLOWING INTERCONNECT DRAWINGS.
 - D-IC-11785-A-1 (11785-A POWER INTERCONNECT)
 - D-IC-11785-A-2 (11785-A BACKPLANE INTERCONNECT)
 - D-IC-11785-A-3 (11785-A S.B.I. INTERCONNECT)
- OPTION SLOTS 1 AND 2 SHARE POWER SUPPLY #5. OPTIONS WHICH UTILIZE THESE SLOTS PROVIDE A POWER SUPPLY. WHEN BOTH SLOTS CONTAIN OPTIONS, ONLY ONE OF THE POWER SUPPLIES CAN BE INSTALLED. IF ONE OF THE OPTIONS IS A CI780, THEN ITS POWER SUPPLY MUST BE THE ONE INSTALLED.
- OPTION SLOT 3 IS NORMALLY THE LOCATION OF THE FAR END TERMINATOR. THIS SLOT WILL BE EMPTY ON SYSTEMS WHICH HAVE A H9652-H (SBI EXP. CAB).
- DW780 OPTIONS INTERCONNECT TO THE UNIBUS CABINETS VIA THE SIDE I/O PANEL OF THE CABINET. THE DW780 WHICH IS PART OF THE 11785-A CABINET IS ALREADY CABLED TO THIS PANEL. IF ADDITIONAL DW780'S ARE ADDED, THEY ARE TO BE CABLED IN A SIMILAR MANNER TO THE REMAINING LOCATIONS IN THE SIDE I/O PANEL.
- SEE MS780 PRINTS SET(S) FOR MEMORY ARRAY LOCATIONS.
- DR780 CANNOT BE CONFIGURED ON A 11785 SYSTEM WHICH CONTAINS A CI780.
- THE 11785-A CABINET CAN SUPPORT ONLY ONE CI780. (POWER SPPLY #5 LIMITATION).

! ! ! ! ! ! ! !	TITLE	! ! ! ! ! ! ! !	DOCUMENT NUMBER
! ! ! ! ! ! ! !	CONFIGURATION CONTROL	! ! ! ! ! ! ! !	
! d ! i ! g ! i ! t ! a ! l !		! ! ! ! ! ! ! !	! SIZE ! CODE ! NUMBER ! REV. !
! ! ! ! ! ! ! !	11785-A CABINET	! SHEET 3 OF 3 !	! K ! SA ! 11785-A-DBF ! B !

THE DESIGN AND OPERATIONAL DATA ARE THE PROPERTY OF DIGITAL EQUIPMENT CORPORATION AND SHALL NOT BE REPRODUCED OR COPIED OR USED IN WHOLE OR IN PART AS THE BASIS FOR THE MANUFACTURE OR SALE OF ITEMS WITHOUT WRITTEN PERMISSION. COPYRIGHT © 1973 DIGITAL EQUIPMENT CORPORATION



SWITCHED			UNSWITCHED		
PH3	PH2	PH1	PH3	PH2	PH1
PS #2	PS #3	RX01 RELAY	HT111	HT112	BLOWER #2
BLOWER #1	RX01 FAN	PDP 11/03			PS #4
BLOWER #3	PS #1				

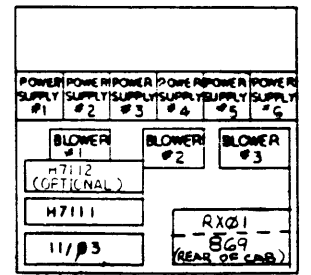
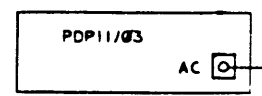
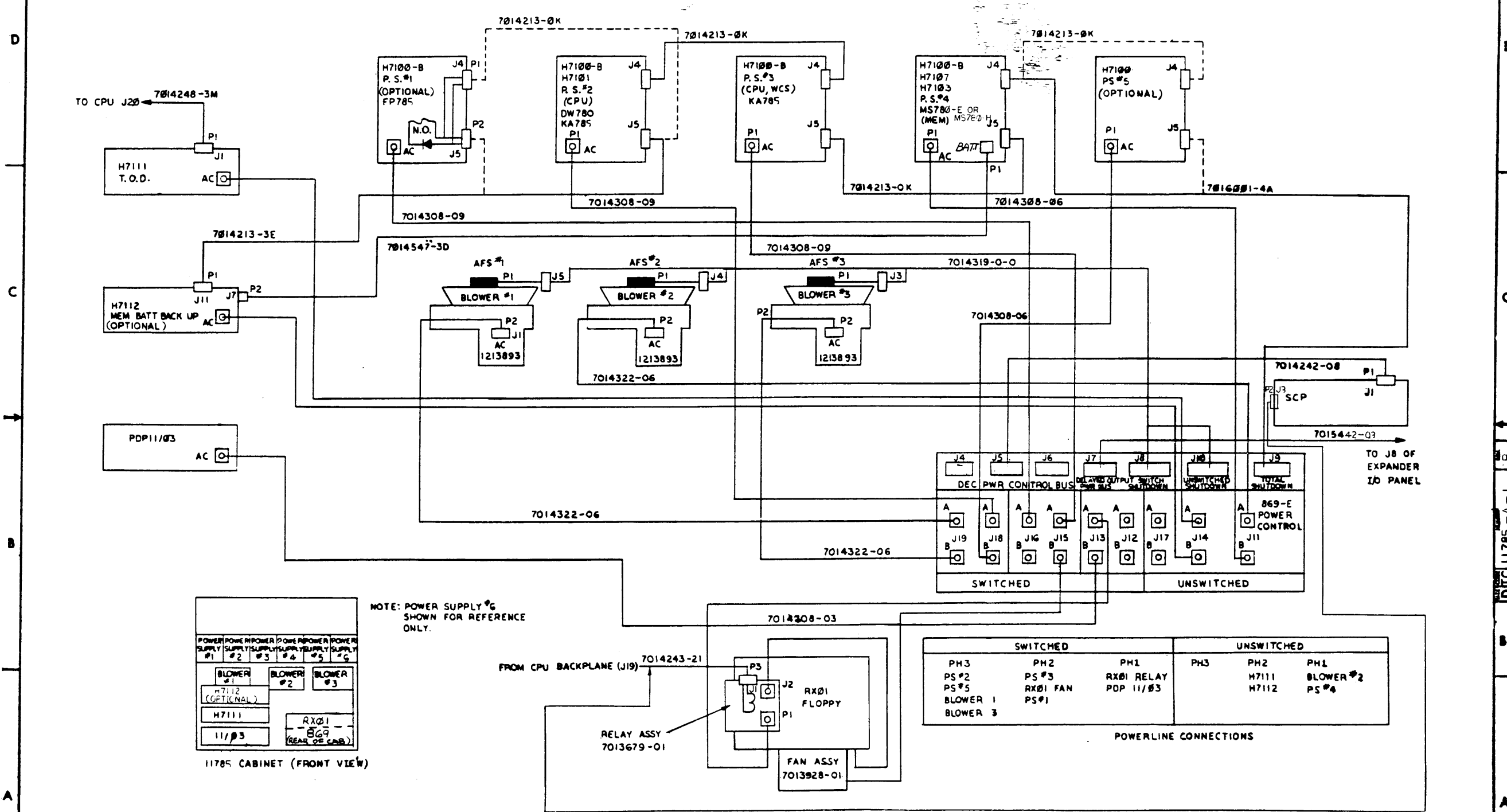
POWERLINE CONNECTIONS

FOR 11785-A 120 VAC 50/60 HZ OPERATION ONLY

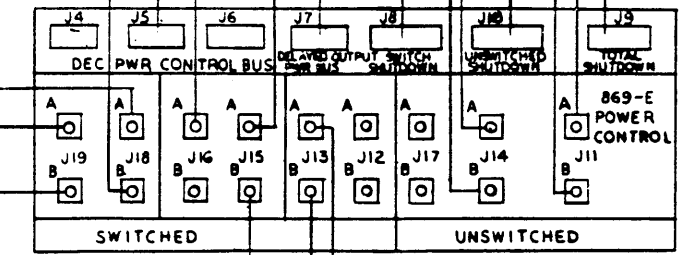
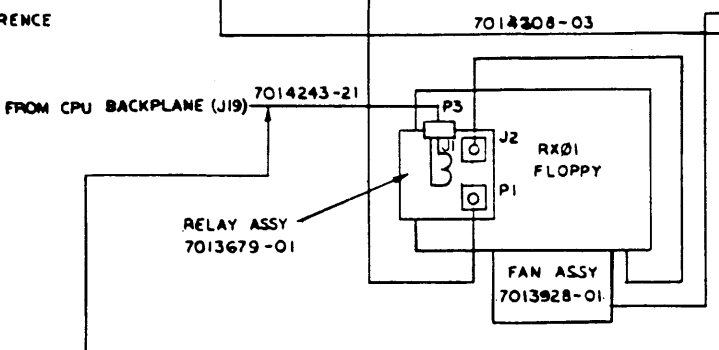
REV. B	11785-A-1
REV. A	11785-A-1
REV. 1	11785-A-1

CHK'D BY: [Signature]	REV. B	FIRST USED ON: [Date]	DIGITAL
ENG. L. [Signature]	11785-A-1	TITLE: 11785-A	
PROJ. ENG. L. [Signature]	11785-A-1	POWER INTERCONNECT	
PROD. [Signature]	11785-A-1		
NEXT: HIGHWAY ASSY.			
SCALE: [Symbol]	SIZE: D	CODE: IC	NUMBER: 11785-A-1
SHEET: [Symbol]	OF: 7	DIST.:	REV. B

THIS DRAWING AND SPECIFICATIONS HEREIN ARE THE PROPERTY OF DIGITAL EQUIPMENT CORPORATION AND SHALL NOT BE REPRODUCED OR COPIED OR USED IN WHOLE OR IN PART AS THE BASIS FOR THE MANUFACTURE OR SALE OF ITEMS WITHOUT WRITTEN PERMISSION. COPYRIGHT © 1973 DIGITAL EQUIPMENT CORPORATION



NOTE: POWER SUPPLY #6 SHOWN FOR REFERENCE ONLY.



SWITCHED			UNSWITCHED		
PH3	PH2	PH1	PH3	PH2	PH1
PS #2	PS #3	RX01 RELAY		H7111	BLOWER #2
PS #5	RX01 FAN	PDP 11/03		H7112	PS #4
BLOWER 1	PS #1				
BLOWER 3					

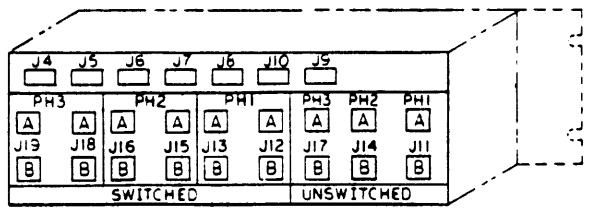
POWERLINE CONNECTIONS

FOR 11785-A 240V 50 HZ OPERATION ONLY

REVISIONS		
CHK	CHANGE NO.	REV.

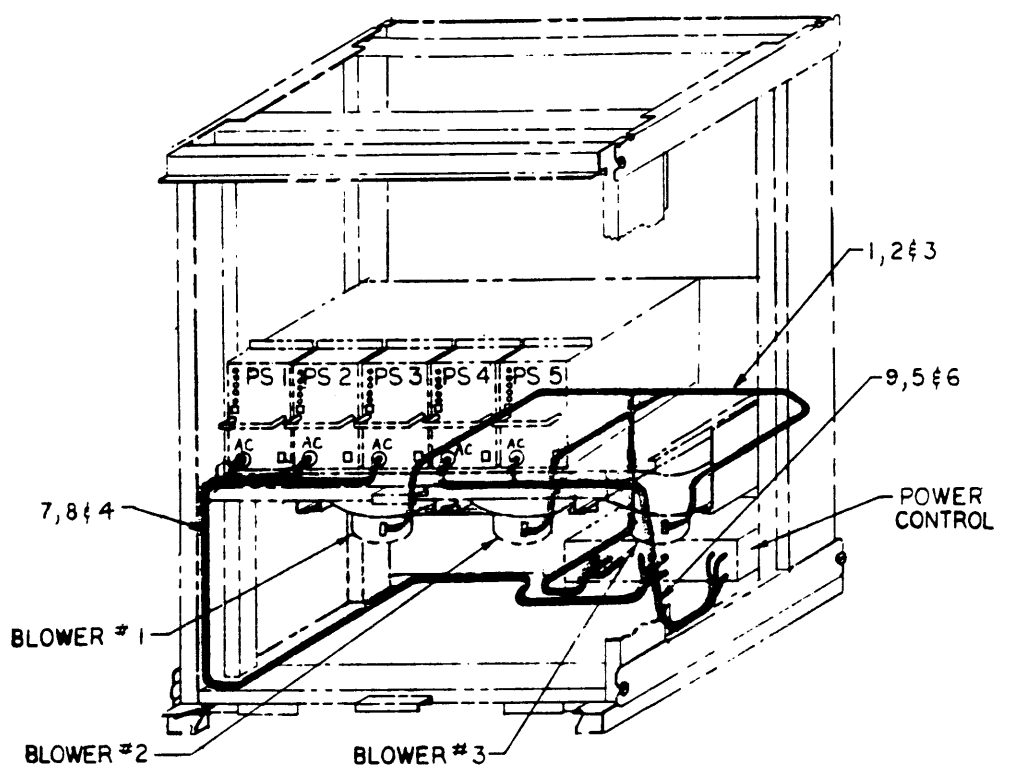
THE DRAWING AND SPECIFICATIONS HEREIN ARE THE PROPERTY OF DIGITAL EQUIPMENT CORPORATION AND SHALL NOT BE REPRODUCED OR COPIED OR USED IN WHOLE OR IN PART IN ANY MANNER FOR THE RECONSTRUCTION OR SALE OF EQUIPMENT WITHOUT WRITTEN PERMISSION. COPYRIGHT © 1983, DIGITAL EQUIPMENT CORPORATION

11785-A-1 2

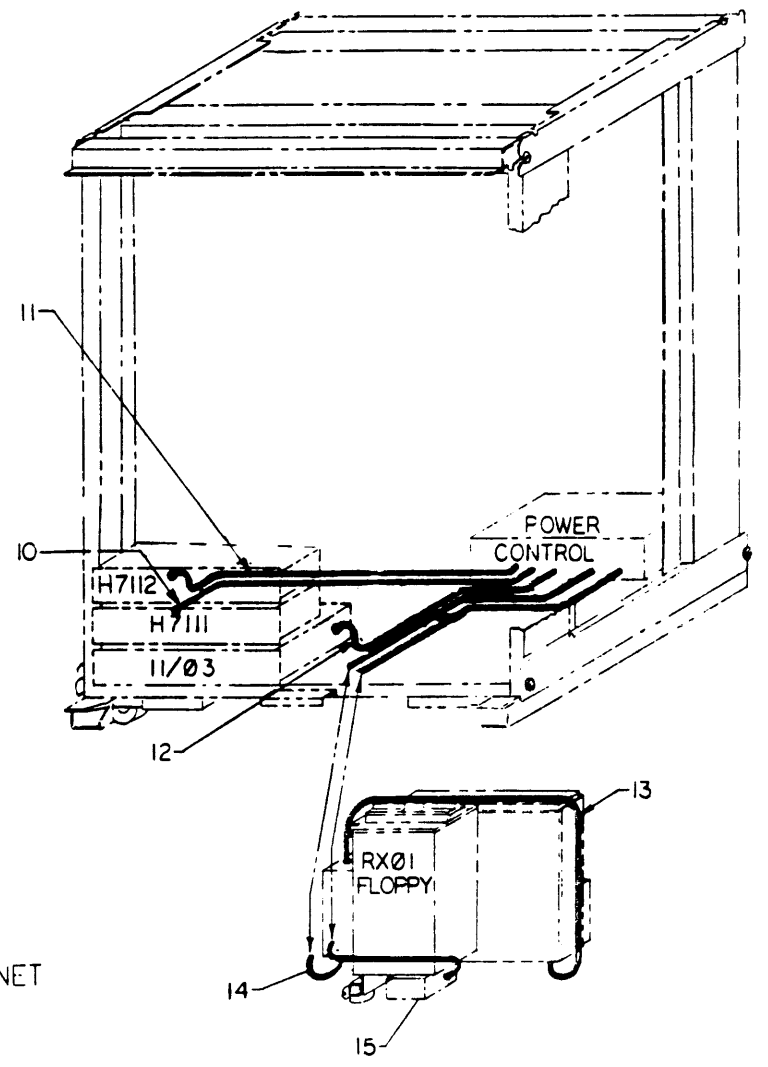


869-D/E POWER CONTROL
(REAR VIEW)

NOTES:
1. NO PARTS LIST EXISTS FOR THIS DWG. ITEM #S FOR USE WITH TABLES #1 AND 2.

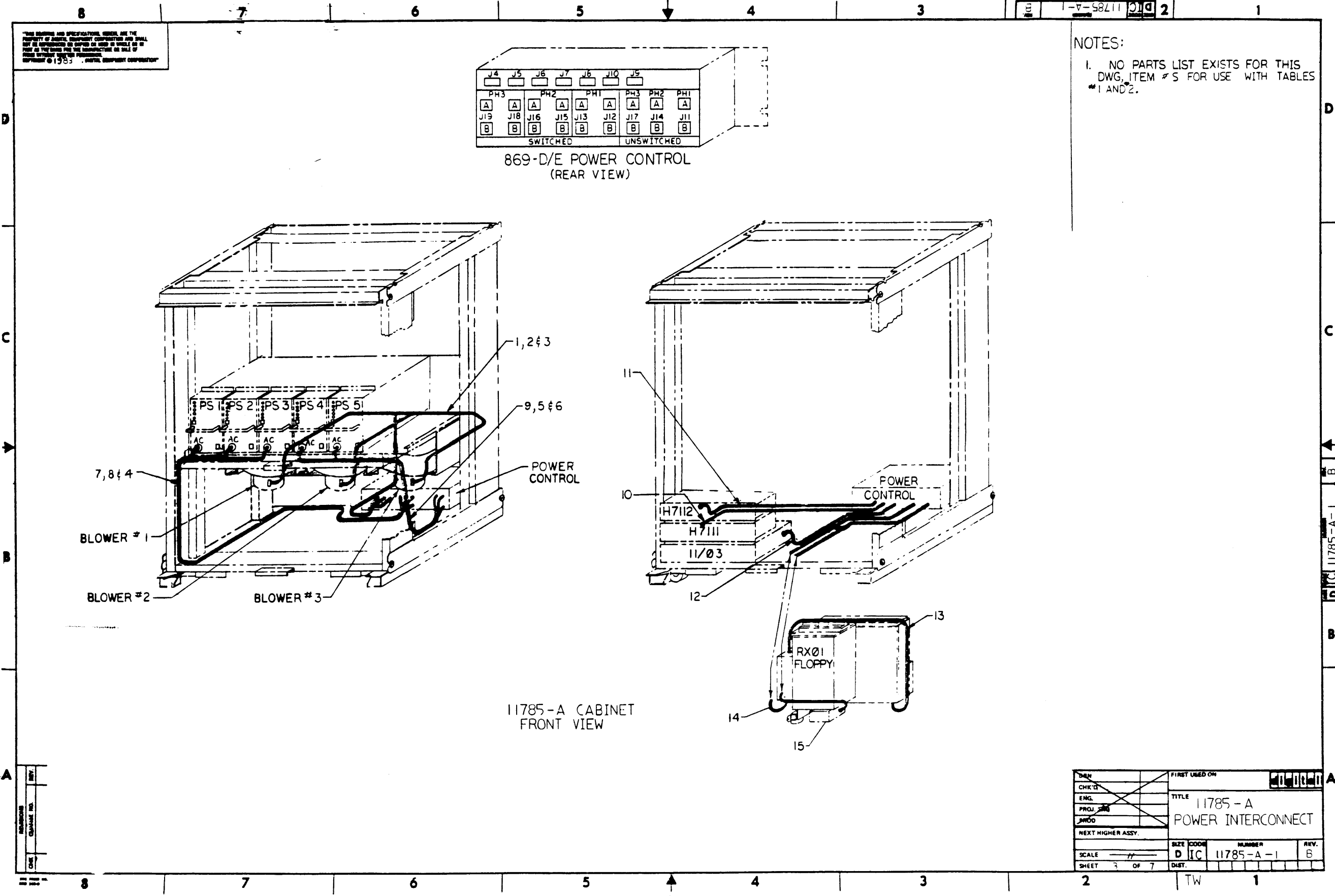


11785-A CABINET
FRONT VIEW



REV.	
CHANGE NO.	
DATE	

DESIGN	FIRST USED ON	
CHK'D	TITLE	11785-A
ENG.	PROJECT	POWER INTERCONNECT
PROJ. NO.	SIZE CODE	D IC
DWG. NO.	NUMBER	11785-A-1
NEXT HIGHER ASSY.	REV.	B
SCALE	DIST.	
SHEET 3 OF 7		



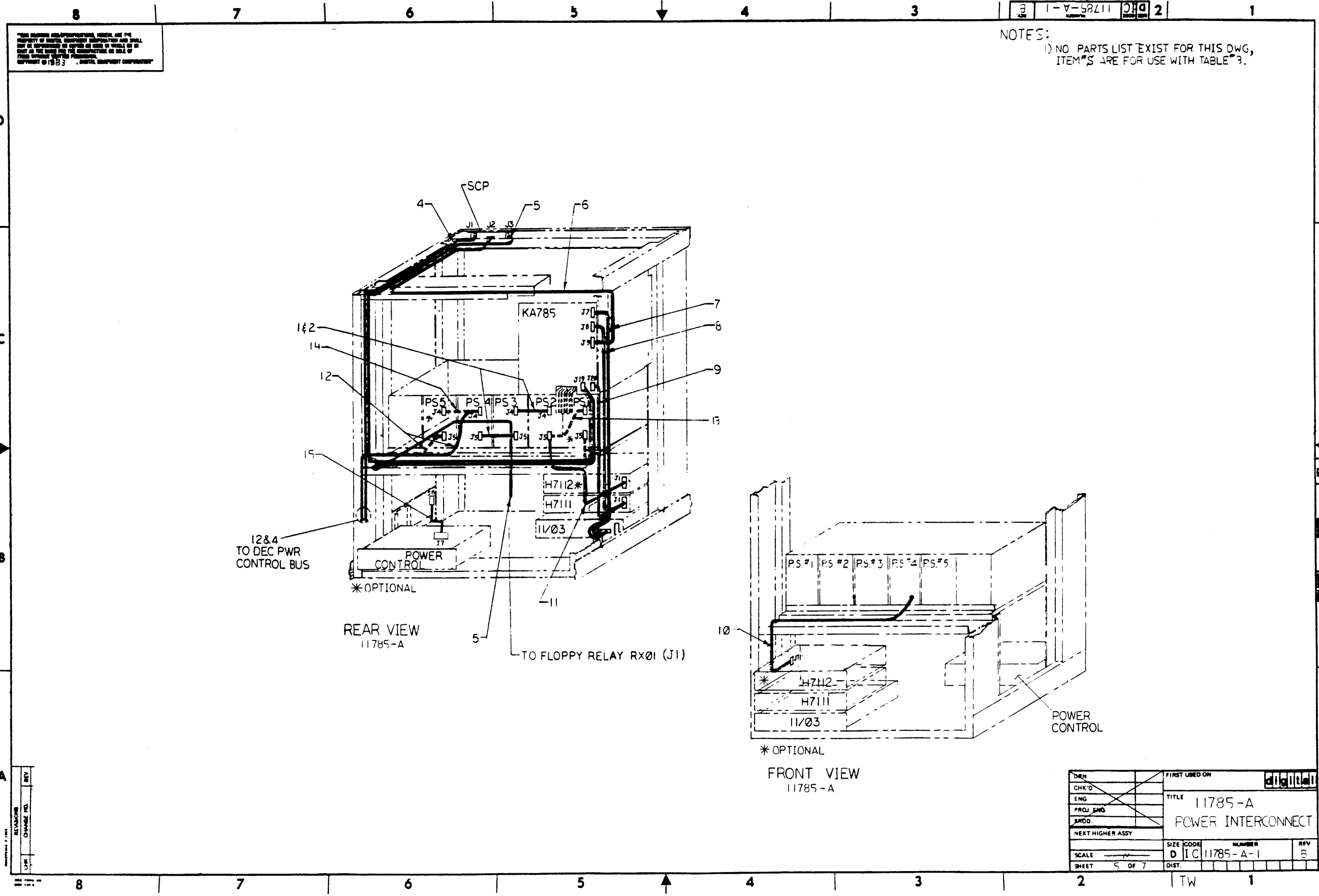
11785-A 120 VAC 50/60 HZ SYSTEM				
ITEM NO REF ONLY	PART NO	DESCRIPTION	FROM	TO
1	7014323-06	POWER CORD ASSY (FAN 115 V)	CORD -P1	869-D J19-A
			-P2	BLOWER*1 J1
			-P3	869-D J11-A
2			-P2	BLOWER*2 J1
			-P1	869-D J19-B
3	7014323-06	POWER CORD ASSY (FAN 115 V)	CORD -P2	BLOWER*3 J1
			9107673-09	EXTENSION CORD 115V 15A
4			-PLUG	869-D J18-A
			-JACK	P.S.*2-AC
5			-PLUG	869-D J11-B
			-JACK	P.S.*4-AC
6			-PLUG	869-D J18-B
			-JACK	P.S.*5 AC
7			-PLUG	869-D J15-A
			-JACK	P.S.*3 AC
8	9107673-09	EXTENSION CORD 115V 15A	CORD -JACK	P.S.*1-AC
10	H7111	T.O.D. BATTERY	AC CORD PLUG	869-D J14-A
11	H7112	MEMORY BATTERY		869-D J14-B
12	PDPI1/03	16 BIT COMPUTER		869-D J14-B
13	RX01	RX01 FLOPPY UA	AC CORD PLUG	RX01 RELAY J2
14	9107673-03	EXTENSION CORD 115V 15A	CORD PLUG	869-D J13-A
			CORD JACK	RX01 RELAY-PI
15	7013928-00	FAN ASSY 115 V	AC CORD PLUG	869-D J15-B

TABLE *1

11785-A 240 VAC. 50 HZ SYSTEM				
ITEM NO REF ONLY	PART NO	DESCRIPTION	FROM	TO
1	7014324-06	POWER CORD ASSY (FAN 230 V)	CORD -P1	869-E J19-A
			-P2	BLOWER*1 J1
			-P1	869-E J11-A
2			P2	BLOWER*2 J1
			-P1	869-E J19-B
3	7014324-06	POWER CORD ASSY (FAN 230 V)	-P2	BLOWER*3 J1
			7014308-09	POWER CORD (230 V)
4			-PLUG	869-E J18-A
			-JACK	P.S.*2 AC
5			-PLUG	869 E J11-B
			-JACK	P.S.*4 AC
6			-PLUG	869-E J18 B
			-JACK	P.S.*5 AC
7			-PLUG	869-E J15-A
			-JACK	P.S.*3 AC
8	7014308-09	POWER CORD (230 V)	CORD JACK	P.S.*1 A.C
10	H7111	T.O.D. BATTERY	AC CORD PLUG	869-E J14-A
11	H7112	MEMORY BATTERY		869-E J14-B
12	PDPI1/03	16 BIT COMPUTER		869-E J13-B
13	RX01	RX01 FLOPPY UA	AC CORD PLUG	RX01 RELAY J2
14	7014308-03	POWER CORD (230 V)	CORD - PLUG	869-E J13-A
			CORD -JACK	RX01 RELAY
15	7013928-01	FAN ASSY (230V)	AC CORD PLUG	869-E J15-B

TABLE *2

REVISIONS		
CHK	CHANGE NO.	REV.



THIS DRAWING AND INFORMATION HEREON ARE THE PROPERTY OF DIGITAL EQUIPMENT CORPORATION AND SHALL NOT BE REPRODUCED OR TRANSMITTED IN ANY FORM OR BY ANY MEANS, ELECTRONIC OR MECHANICAL, INCLUDING PHOTOCOPYING, RECORDING, OR BY ANY INFORMATION STORAGE AND RETRIEVAL SYSTEM, WITHOUT THE WRITTEN PERMISSION OF DIGITAL EQUIPMENT CORPORATION.

NOTES:
 1) NO PARTS LIST EXIST FOR THIS DWG, ITEM'S ARE FOR USE WITH TABLE 3.

12&4
 TO DEC PWR
 CONTROL BUS

* OPTIONAL

REAR VIEW
 11785-A

TO FLOPPY RELAY RX01 (J1)

* OPTIONAL

FRONT VIEW
 11785-A

DRN	FIRST USED ON	digital	
CHK'D	TITLE	11785-A	
ENG	PROJ. ENG.	POWER INTERCONNECT	
BRD	NEXT HIGHER ASSY		
SCALE	SIZE	CODE	NUMBER
SHEET 5 OF 7	D	IC	11785-A-1
	DIST.		REV 6

REVISIONS
 REV. NO. DATE BY

DATE

THIS DRAWING AND SPECIFICATIONS HEREAFTER ARE THE PROPERTY OF DIGITAL EQUIPMENT CORPORATION AND SHALL NOT BE REPRODUCED OR COPIED OR USED IN WHOLE OR IN PART AS THE BASIS FOR THE MANUFACTURE OR SALE OF ITEMS WITHOUT WRITTEN PERMISSION.
 COPYRIGHT © 1963 DIGITAL EQUIPMENT CORPORATION

1-A-58211 D I C 2

TABLE #3

FOR 11785 -A

ITEM NO. RFF ONLY	PART NO.	DESCRIPTION	FROM	TO
1	7014213-0K	CABLE, OVER TEMP.	PS#2-J4	PS#3-J4
2	7014213-0K	CABLE, OVER TEMP.	PS#3-J5	PS#4-J5
4	7014242-08	POWER CONTROL CABLE	869-J5	SCP-J1
5	7014243-21	FLOPPY RELAY SCP POWER HARNESS	HARNES-P2	SCP-J3
			-P1	KA780-J19
			-P3	RX01-J1
6	7011411-12	CABLE, SIGNAL	KA785-J9	SCP-J2
7	BC05L-10	CABLE	11/03 M9400-YE J1	KA780-J7
8	BC05L-10	CABLE	11/03 M9400-YE J2	KA780-J8
9	7014248-3M	CABLE, T.O.D BATTERY	H7111-J1	KA780-J20
12	7014213-4A	CABLE, OVER TEMP.	869-J9	PS#4-J4
11	7014213-3E	CABLE, OVER TEMP.	PS#2-J5	N.C.
15	7015442-03	CABLE POWER CTRL BOX	869-J5	EXP I/O PANEL J8

PART OF
KC765 ASSY

PART OF
KC765 ASSY

FOR 11785 -A WITH H7112

11	7014213-3E	CABLE, OVER TEMP.	H7112-J1	PS#2-J5
10	7014547-3D	CABLE, BATTERY OPTION	CABLE-P2	H7112-J7
			CABLE-P1	PS#4-BATT. ADAPT.

FOR 11785 -A WITH FP785

14	7014213-0K	CABLE, OVER TEMP.	PS#1-J4	PS#2-J5
11	7014213-3E	CABLE, OVER TEMP.	PS#1-J5	N.C.

FOR 11785 -A WITH H7112 & FP785

11	7014213-3E	CABLE, OVER TEMP.	H7112-J1	PS#1-J5
14	7014213-0K	CABLE, OVER TEMP.	PS#1-J4	PS#2-J5
10	7014547-3D	CABLE, BATTERY OPTION	CABLE-P2	H7112-J7
			CABLE-P1	PS#4 BATT. ADAPT.

FOR 11785-A WITH OPTIONAL P.S. 'S INSTALLED

12	7014213-4A	CABLE OVER TEMP	869-J9	PS#5-J5
14	7014213-0K	CABLE OVE TEMP	PS#4-J4	PS#5-J4

OPTIONAL

REVISIONS		
CHK	CHANGE NO.	REV.

TITLE 11785 -A
POWER INTERCONNECT
SCALE 1/4" = 1" SHEET 6 OF 7
SIZE CODE D I C NUMBER 11785 -A -1
REV. E

8

7

6

5

4

3

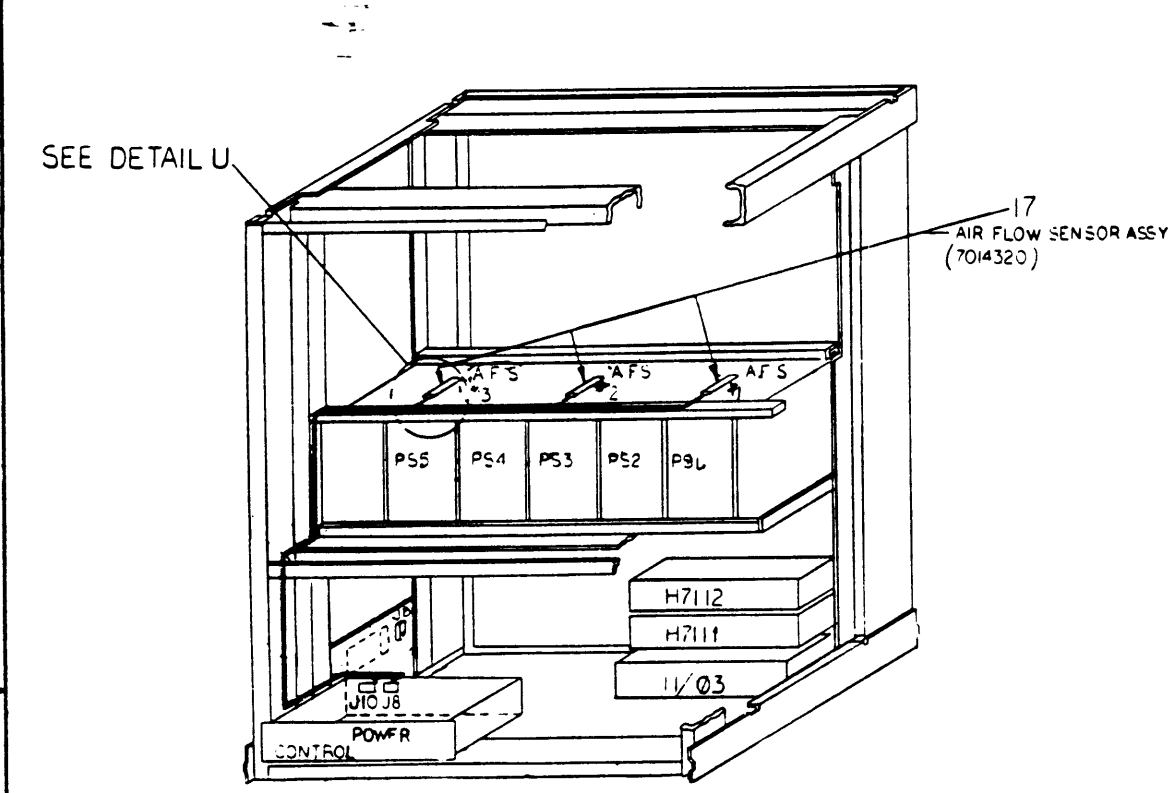
2

1

TW

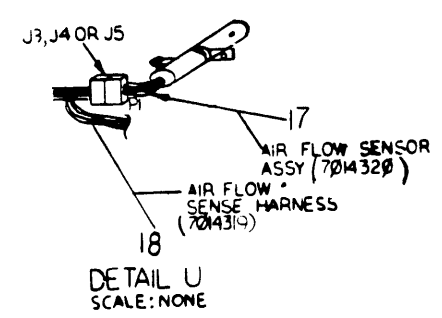
THIS DRAWING AND SPECIFICATIONS HEREIN ARE THE PROPERTY OF DIGITAL EQUIPMENT CORPORATION AND SHALL NOT BE REPRODUCED OR COPIED OR USED IN WHOLE OR IN PART AS THE BASIS FOR THE MANUFACTURE OR SALE OF ITEMS WITHOUT WRITTEN PERMISSION. COPYRIGHT © 1985 DIGITAL EQUIPMENT CORPORATION

1-11785-A-1



REAR VIEW
11785-A

AIR FLOW SENSOR CABLING



DETAIL U
SCALE: NONE

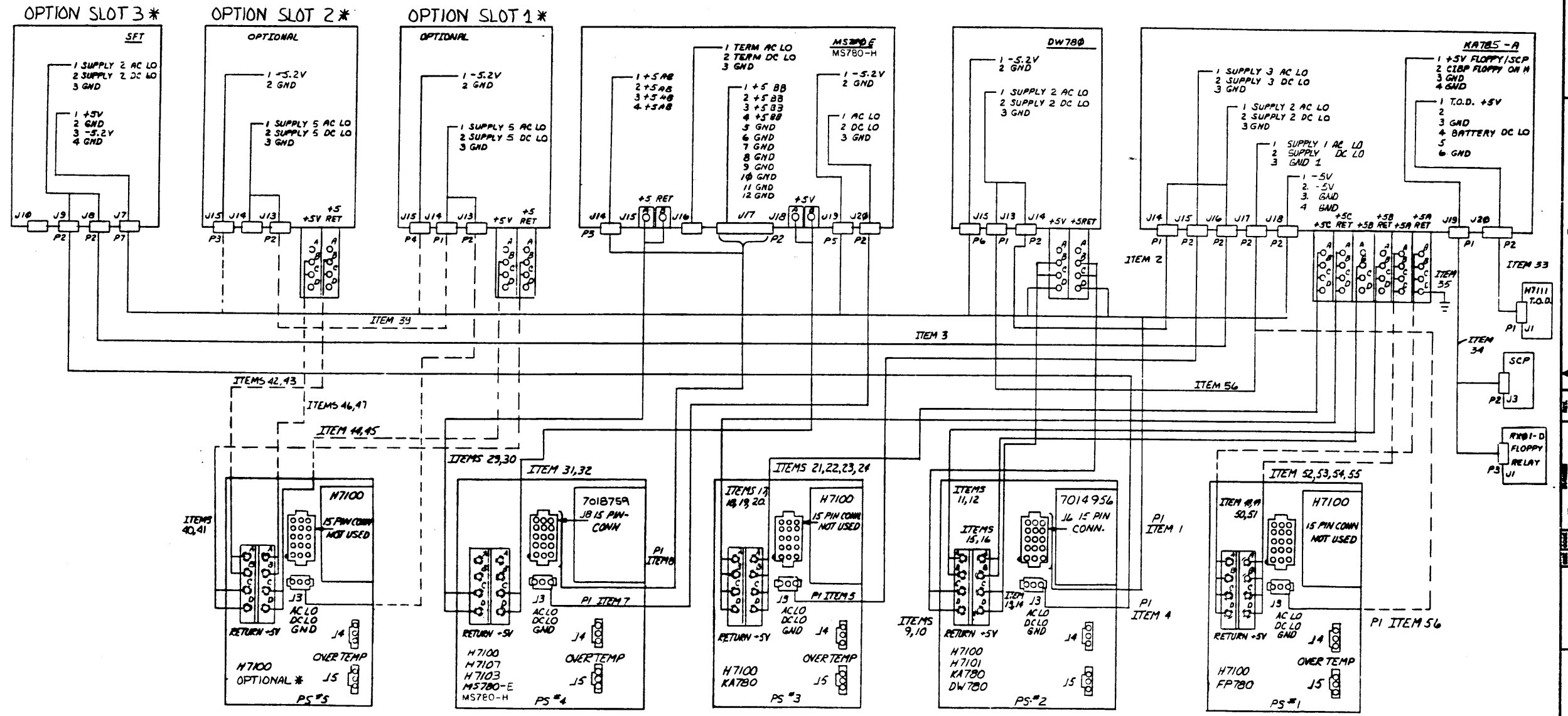
REVISIONS		
CHK	CHANGE NO	REV

TITLE	11785-A POWER INTERCONNECT	SIZE CODE	DIC	NUMBER	11785-A-1	REV.	E
SCALE		SHEET	7 OF 7	DIST			

11785-A-1

THIS DRAWING AND SPECIFICATIONS, HEREIN, ARE THE PROPERTY OF GENERAL ELECTRIC COMPANY AND SHALL NOT BE REPRODUCED OR COPIED IN WHOLE OR IN PART OR IN ANY MANNER FOR THE MANUFACTURE OR SALE OF SUCH EQUIPMENT WITHOUT PERMISSION.
 GENERAL ELECTRIC COMPANY
 SYCAMORE, ILLINOIS 61880

NOTES:
 1.) NO PARTS LIST EXISTS FOR THIS DWG. ITEM #5 FOR USE WITH TABLE #1.



* REFER TO K-SA-11785-A-DBF

BACKPLANE D.C. INTERCONNECT

REV. NO.	REV.
04	B
03	B
02	B
01	B
00	B

DRAWN: [Signature]	DATE: 4/73	FIRST USED ON: [Signature]
CHK'D: [Signature]	DATE: 7/73	TITLE: 11785-A BACKPLANE INTERCONNECT
ENG. [Signature]	PROJ. ENG. [Signature]	PROD. [Signature]
NEXT HIGHER ASSY.	SCALE: 1/1	SHEET: 1 OF 3
SIZE: D	CODE: C	NUMBER: 11785-A-2
DATE: TW	REV. B	

THIS DRAWING AND SPECIFICATIONS HEREIN ARE THE PROPERTY OF DIGITAL EQUIPMENT CORPORATION AND SHALL NOT BE REPRODUCED OR COPIED IN WHOLE OR IN PART AS THE BASIS FOR THE MANUFACTURE OR SALE OF ITEMS WITHOUT THE WRITTEN PERMISSION OF DIGITAL EQUIPMENT CORPORATION © 1983

TABLE #1
BACKPLANE DC. INTERCONNECT

REF. ITEM NUMBER	PART NUMBER	DESCRIPTION	FROM	TO	REMARKS
1	7015073-0-0	HARNESS-SV TERMINATE	HARNESS P1	PS #2-J6	-5V GND
			HARNESS P2	KA785-J10	
			HARNESS P3	OPT SLOT #2-J15	
			HARNESS P4	OPT SLOT #1-J15	
			HARNESS P5	MS780-J19	
			HARNESS P6	DW780-J15	-5V, GND
			HARNESS P7	SFT-J7	+5V, GND
			HARNESS RING TERM (BLK WIRE)	DW780-SV-D	+5V
	7015073-0-0	HARNESS-SV TERM	HARNESS RING TERM (BLK WIRE)	DW780-SV-D	+5V RETURN
2	7014212-0H	CABLE AC DC LOW	CABLE P1	KA785-J14	
			CABLE P2	DW780-J14	
3	7014212-2M	CABLE AC DC LOW	CABLE P1	KA785-J16	
			CABLE P2	SFT-J8	
4	7014212-2M	CABLE AC DC LOW	CABLE P1	PS #2-J33	AC DC LOW GND
			P2	SFT-J9	
5	7014212-0M	CABLE AC DC LOW	CABLE P1	PS #3-J33	AC DC LOW & GND
			P2	KA785-J15	
7	7014212-1C	CABLE AC DC LOW	CABLE P1	PS #4-J33	AC DC LOW & GND
			P2	MS780-J20	
8	7019586-1K	CABLE ± 5B	CABLE P1	PS #4-J33	+5B & +12
			P2	MS780-J17	
			P3	MS780-J14	
9	7014249-1A	CABLE POWER (BLK)	PS #2+5 RET-D	DW780+5 RET-B	PS #2+5 RETURN
10	7014249-1A	CABLE POWER (BLK)	PS #2+5 RET-C	DW780+5 RET-C	
11	7014249-1C	CABLE POWER (BLK)	PS #2+5 RET-B	KA785+5B RET-B	
12	7014249-1C	CABLE POWER BLK	PS #2+5 RET A	KA785+5B RET C	PS #2+5 RETURN
13	7014530-1A	CABLE POWER (RED)	PS #2+5 -D	DW780+5 -B	PS #2+5
14	7014530-1A	CABLE POWER (RED)	PS #2+5 C	DW780+5 -C	
15	7014530-1A	CABLE POWER (RED)	PS #2+5 B	KA785+5B C	
16	7014530-1A	CABLE POWER (RED)	PS #2+5 A	KA785+5B B	PS #2+5
17	7014249-1J	CABLE POWER (BLK)	PS #3+5 RET D	KA785+5C RET D	PS #3+5 RETURN
18			C	C	
19			B	B	
20	7014249-1J	CABLE POWER (BLK)	PS #3+5 RET A	KA785+5C -A	PS #3+5 RETURN
21	7014530-1E	CABLE POWER (RED)	PS #3+5 -D	KA785+5C -D	PS #3+5 RETURN
22			C	C	
23			B	B	
24	7014530-1E	CABLE POWER (RED)	PS #3+5 -A	KA785+5C -A	
29	7014250-0K	CABLE POWER	PS #4+5 RET C	MS780-J15 -A	PS #4+5 RETURN
30	7014250-0K	RTR MEMORY BLK	PS #4+5 RET D	MS780-J15 B	
31	7014529-0K	CABLE POWER	PS #4+5 C	MS780-J18 -A	PS #4+5V
32		+5 MEMORY (RED)	PS #4+5 D	MS780-J18 B	
33	7014248-3M	CABLE TO T.O.D. BTL	HARNESS P2	KA785-J20	
			P1	H7111-01	
34	7014248-21	FLOPPY RELAY SC. PWR. HARNESS	HARNESS P1	KA785-J19	
			P2	SCP - J3	
			P3	RX01 - J1	
35	7014249-0L	CABLE POWER (BLK)	KA785+A5A RET D	FRAME	
56	7014212-0M	CABLE AC/DC LO	CABLE P1	DW780-J13	SEE NOTE #1
			CABLE P2	KA785-J17	

REF. ITEM NUMBER	PART NUMBER	DESCRIPTION	FROM	TO	REMARKS
1	7015073-0-0	HARNESS-SV TERM.	HARNESS P3	OPT SLOT 2-J15	-5V GND
	7015073-0-0	HARNESS-SV TERM	HARNESS P4	OPT SLOT 7-J15	-5V GND
38	7014212-0M	CABLE AC DC LOW	CABLE P1	PS #3-J33	AC DC LO & GND
	7014212-0M	CABLE AC DC LOW	CABLE P2	OPT SLOT 2-J13	AC DC LO & GND
39	7014212-0H	CABLE AC DC LOW	CABLE P1	OPT SLOT 1-J14	AC DC LO & GND
	7014212-0H	CABLE AC DC LOW	CABLE P2	OPT SLOT 2-J13	AC DC LO & GND
40	7014249-0L	CABLE POWER (BLK)	PS #3+5 RET-D	OPT SLOT 1+5 RET-C	PS #3+5 RETURN
41	"	"	" C	" B	"
42	7014249-0L	CABLE POWER (BLK)	PS #3+5 RET-B	OPT SLOT 1+5 -C	PS #3+5 RETURN
43	"	"	" A	" B	"
44	7014530-0L	CABLE POWER (RED)	PS #3+5 -D	OPT SLOT 1+5 -C	PS #3+5V
45	"	"	" C	" B	"
46	7014530-0L	CABLE POWER (RED)	PS #3+5 -B	OPT SLOT 2+5 -C	PS #3+5V
47	"	"	" A	" B	"

FP785

REF. ITEM NUMBER	PART NUMBER	DESCRIPTION	FROM	TO	REMARKS
48	7014249-0L	POWER CABLE BLK	PS #1+5 A RET D	KA785+5A RET D	PS #1+5 RETURN
49			C	C	
50			B	B	
51	7014249-0L	POWER CABLE (BLK)	PS #1+5 A RET-A	KA785+5A RET A	PS #1+5 RETURN
52	7014530-0L	POWER CABLE (RED)	PS #1+5 -D	KA785+5A -D	PS #1+5V
53			C	C	
54			B	B	
55	7014530-0L	POWER CABLE (RED)	PS #1+5 -A	KA785+5A -A	PS #1+5V
56	7014212-0M	CABLE AC DC LO	CABLE P1	PS #1 J3	AC, DC, LOW
	7014212-0M	CABLE AC DC LO	CABLE P2	KA785-J17	AC, DC, LOW

OPTIONAL

SEE NOTE 1

NOTES: (PERTAIN TO THIS SHEET ONLY)

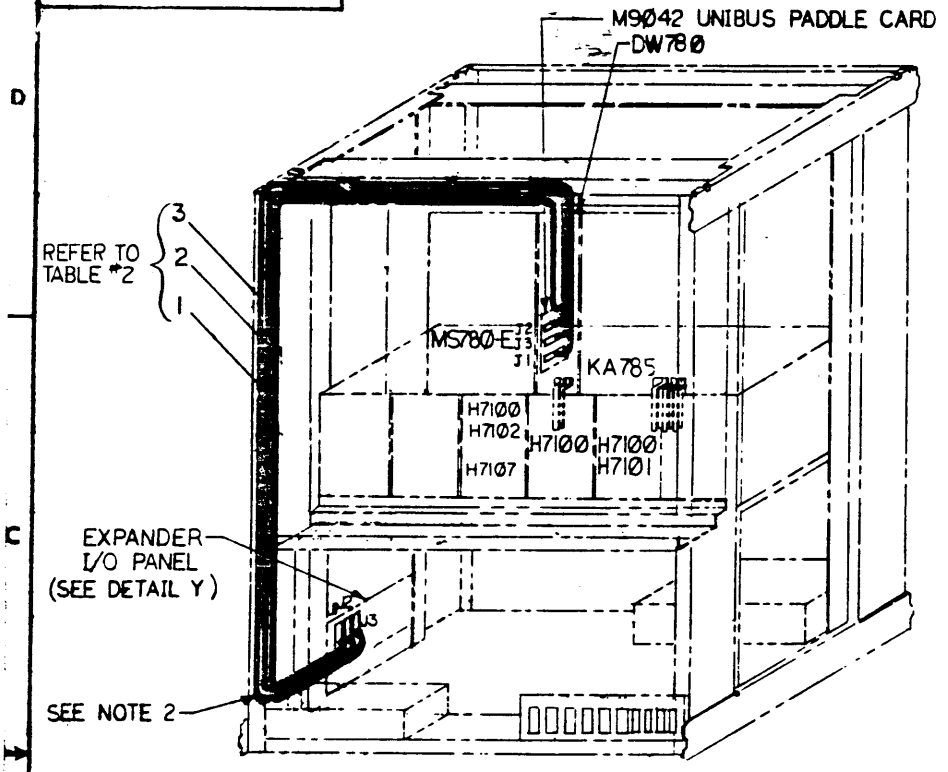
1. IF THE FP785 IS INSTALLED; ITEM #56 P1 CONNECTS TO PS #1-J3. OTHERWISE IT IS CONNECTED TO DW780-J13.

REVISIONS		
CHK	CHANGE NO.	REV.

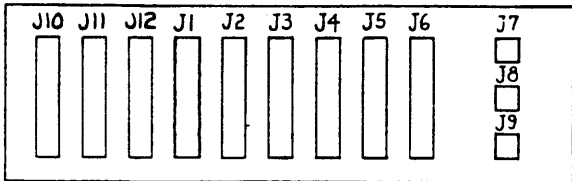
TITLE	11785-A BACKPLANE INTERCONNECT	DWG CODE	DIC	NUMBER	11785-A-2	REV.	E
SCALE		SHEET	2	OF	3	DIST.	

THIS DRAWING IS UNCLASSIFIED, AND THE CONTENTS ARE UNRESTRICTED. IT IS THE PROPERTY OF THE U.S. GOVERNMENT AND IS LOANED TO YOUR AGENCY. IT AND ITS CONTENTS ARE TO BE RETURNED TO THE U.S. GOVERNMENT UPON REQUEST. DATE 11/11/75 BY 11785-A-2

9-2-A-50/11785-A-2



11785-A
REAR VIEW



DETAIL Y
VIEWED FROM
INSIDE OF CABINET

TABLE #2 DW780 RIBBON CABLE				
ITEM NO. (REF. ONLY)	PART NO.	DESCRIPTION	FROM	TO
1	7013622-00	CABLE, RIBBON UNIBUS	M9042- J2	EXP I/O CONN- J12
2			M9042- J3	EXP I/O CONN- J10
3			M9042- J1	EXP I/O CONN- J11

NOTES: (PERTAIN TO THIS SHEET ONLY)
 1) NO PARTS LIST EXISTS FOR THIS DWG
 ITEM #'S ARE FOR USE WITH TABLE #2.
 2) REFER TO E-UA-11785-A-0 FOR UNIBUS CABLE
 FOLD INSTRUCTIONS

REVISIONS		
CHK	CHANGE NO.	REV.

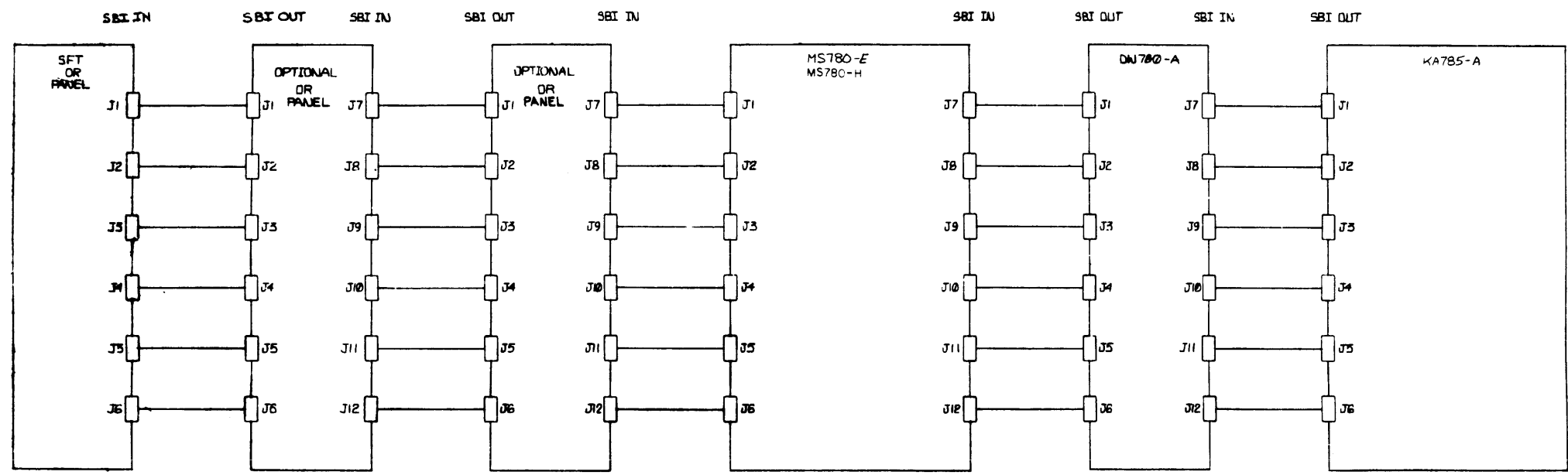
TITLE	11785-A BACKPLANE INTERCONNECT	DATE	11/11/75	BY	DLC	REV.	6
SCALE		SHEET	3 OF 3	DIST.			

SEE FORM NO. 100 1-75

11785-A-2

1983

NOTES:
 1. SBI CABLE CONNECTIONS TO SFT FROM ADJACENT BACKPLANE ARE ALWAYS 1700087-1 (QTY 6) OTHER SBI CABLES ARE 1700087-0.

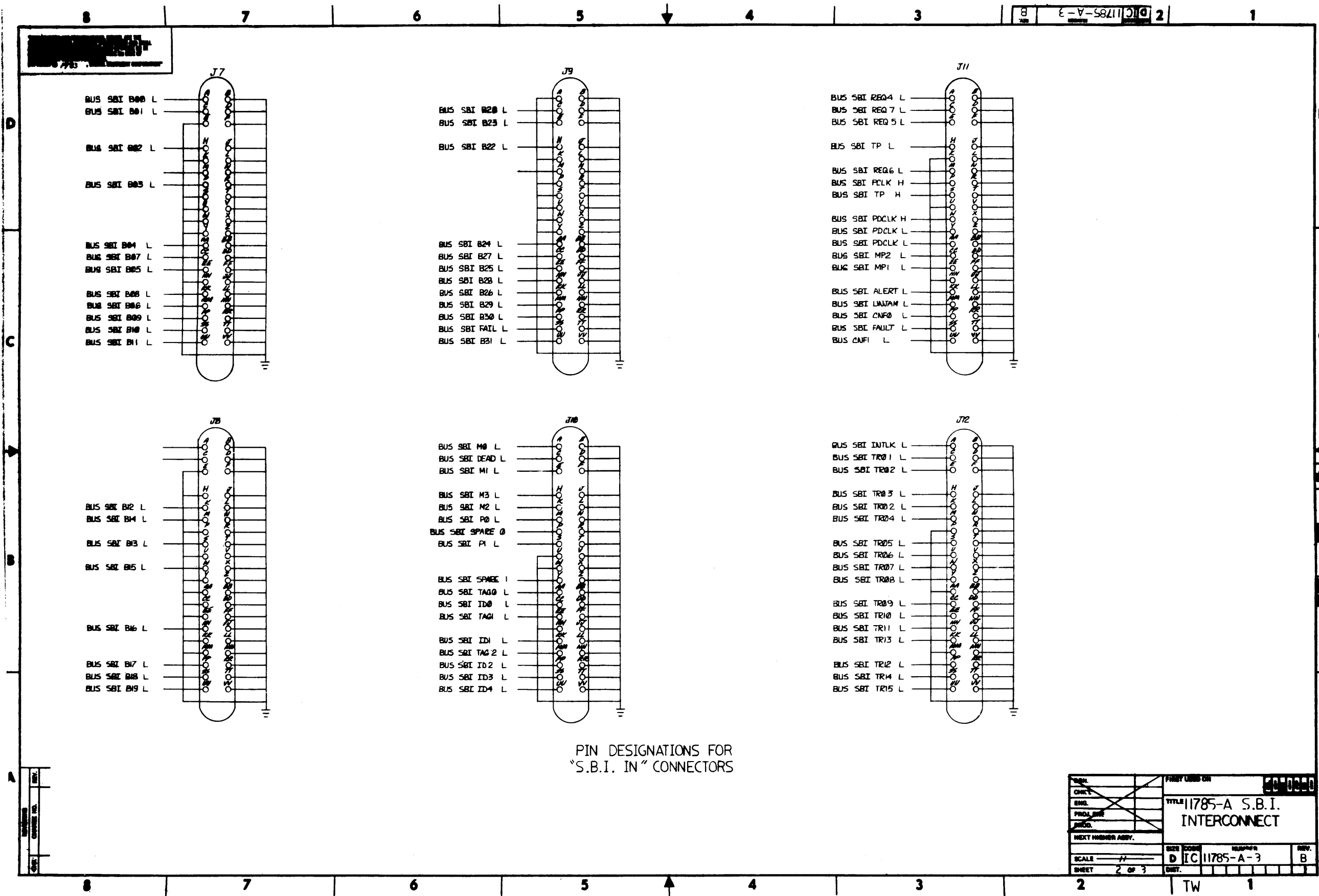


S.B.I. INTERCONNECT

REV	B
DATE	11/785-TW003
DESIGNED BY	A. HAYNES
DESIGNED BY	S. DUNCANSON
DESIGNED BY	S. DUNCANSON

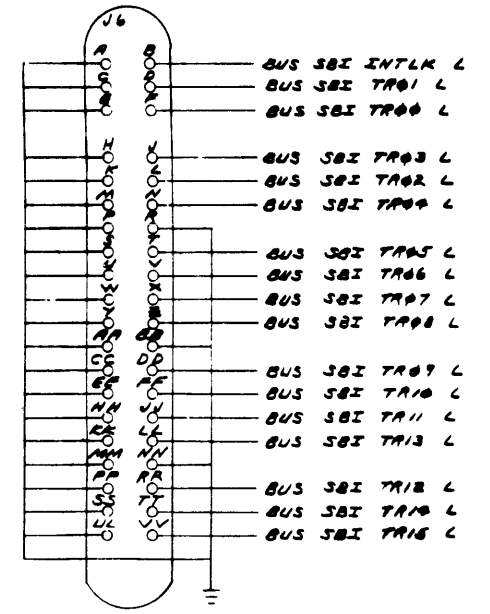
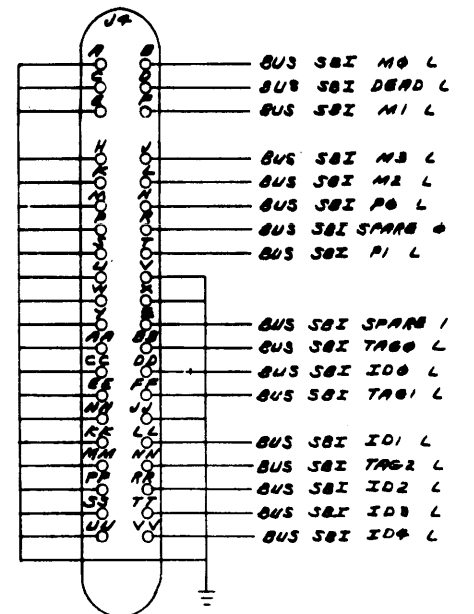
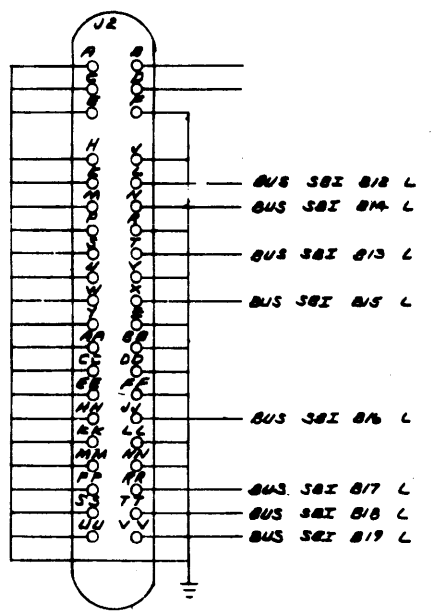
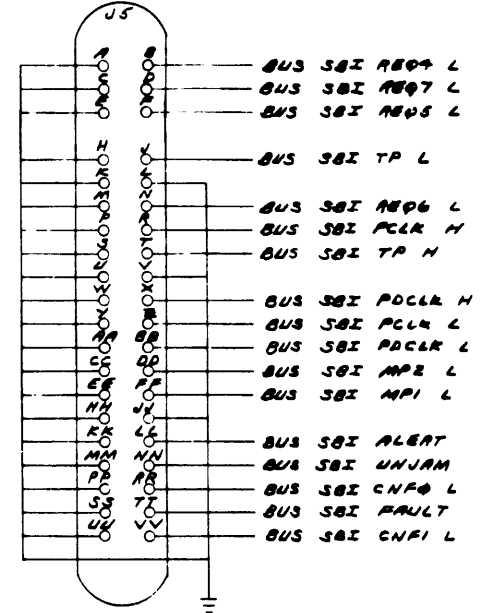
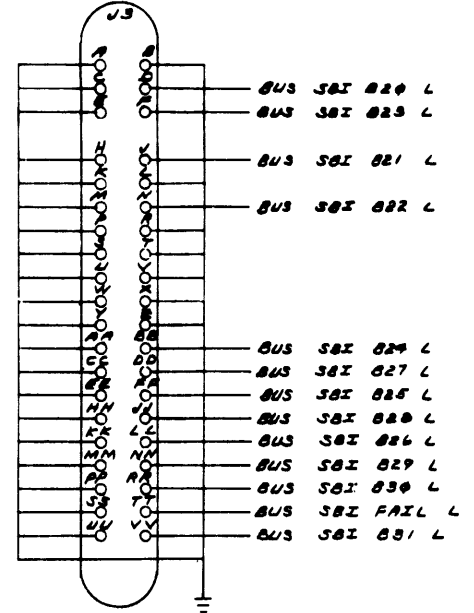
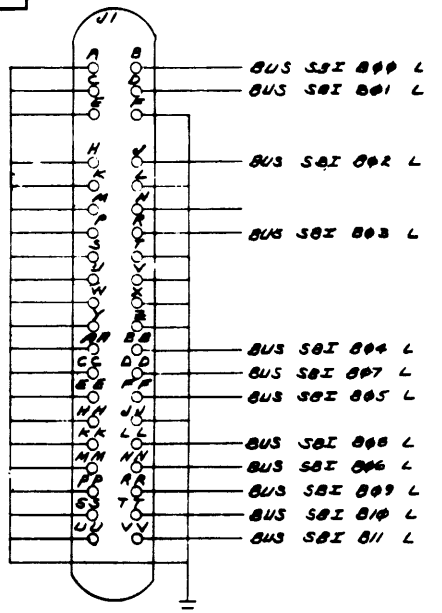
DRN	11/785-TW003	DATE	11/785-TW003
CHK'D	11/785-TW003	DATE	11/785-TW003
ENG	A. HAYNES	DATE	11/785-TW003
PROJ. ENG.	A. HAYNES	DATE	11/785-TW003
PROJ. MGR.	A. HAYNES	DATE	11/785-TW003
NEXT NUMBER ASSY.			
SCALE		SIZE	DIC
SHBT	1 OF 3	NUMBER	11785-A-3
		REV	B

11785-A-3



PIN DESIGNATIONS FOR "S.B.I. IN" CONNECTORS

<table border="1"> <tr><td>DESIGN.</td><td></td></tr> <tr><td>CHKD.</td><td></td></tr> <tr><td>ENGR.</td><td></td></tr> <tr><td>PRD. ENGR.</td><td></td></tr> <tr><td>PROJ.</td><td></td></tr> <tr><td>NEXT NUMBER ASSY.</td><td></td></tr> </table>	DESIGN.		CHKD.		ENGR.		PRD. ENGR.		PROJ.		NEXT NUMBER ASSY.		<table border="1"> <tr><td colspan="2">FIRST USED ON</td></tr> <tr><td colspan="2">TITLE 11785-A S.B.I. INTERCONNECT</td></tr> <tr><td>SIZE CODE</td><td>NUMBER</td></tr> <tr><td>D IC 11785-A-3</td><td>B</td></tr> <tr><td>SHEET</td><td>2 OF 3</td></tr> <tr><td>DRWT.</td><td></td></tr> </table>	FIRST USED ON		TITLE 11785-A S.B.I. INTERCONNECT		SIZE CODE	NUMBER	D IC 11785-A-3	B	SHEET	2 OF 3	DRWT.	
DESIGN.																									
CHKD.																									
ENGR.																									
PRD. ENGR.																									
PROJ.																									
NEXT NUMBER ASSY.																									
FIRST USED ON																									
TITLE 11785-A S.B.I. INTERCONNECT																									
SIZE CODE	NUMBER																								
D IC 11785-A-3	B																								
SHEET	2 OF 3																								
DRWT.																									



PIN DESIGNATIONS FOR "S.B.I. OUT" CONNECTORS

DATE	REV.	FIGURE NUMBER	30-0000
CHG.		TITLE	11785-A S.B.I. INTERCONNECT
ENG.		SCALE	D TC
PRG.		NUMBER	11785-A-3
APP.		REV.	B
NEXT HIGHER ASSY.		SIZE	D
SCALE		DET.	
SHEET 3 OF 3			

11785-A-3

D

C

B

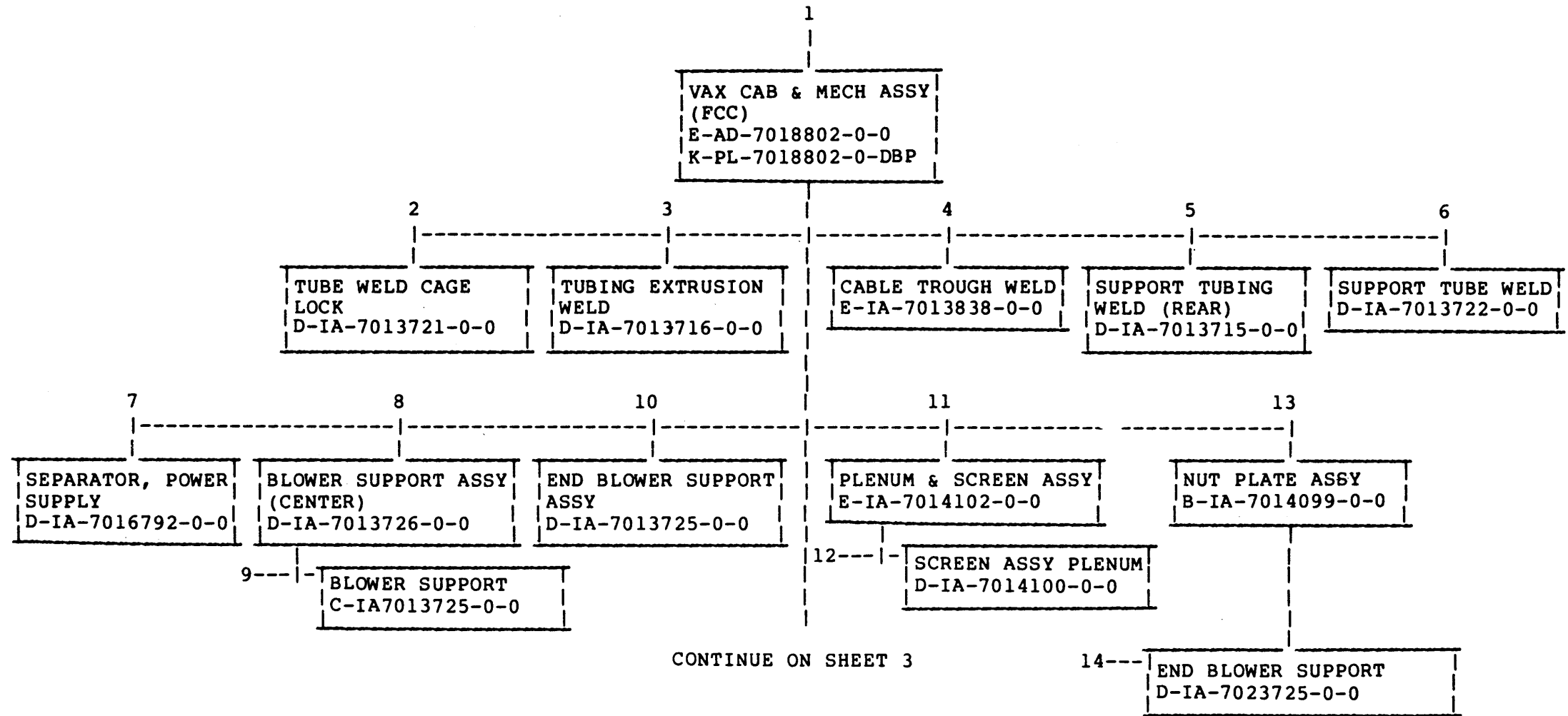
A

TW

LINE	ITEM	DOCUMENT NUMBER	PART NUMBER	DESCRIPTION	QUANTITY PER VARIATION
					01
1	1		EB21710-20	VAX HARDWARE HANDBOOK	1
2	2		EB21812-20	VAX SOFTWARE HANDBOOK	1
3	3		EK11785-UG	VAX-11/785 HARDWARE USERS MANUAL	1
4	4		EKSI785-IN	VAX-11/785 INSTALLATION MANUAL	1
5	5		EKVAXAR-RM	VAX-11 ARCHITECTURE REFERENCE MA	1
6	6	B-TC-H7111-0-0	MP00377-00	F.M.P.S. H7111	1
7	7	B-TC-7100-0-1	MP00480-00	F.M.P.S. H7100	1
8	8	B-TC-DW780-0-1	MP00497-00	F.M.P.S. DW780	1
9	9	B-TC-MS780-E-1	MP01372-00	F.M.P.S. MS780-E	1
10	10	K-TC-11785-A-DBF	MP01747-00	F.M.P.S. 11785	1
11	11	K-TC-KC785-A-DBF	MP01748-00	F.M.P.S. KC785	1
12	12	K-TC-KA785-0-DBF	MP01749-00	F.M.P.S. KA785	0

REVISION HISTORY			BASIC PART NO: 7020580			D I G I T A L			
ENG:	ECO NUMBER	REV	SECTION A OF A	DRN:	D. HERTZ	DATE:	04-JAN-84	TITLE	PARTS LIST
	INITIAL	A	SECTION VARIATION INDEX	CHK'D:	R. NELSON	DATE:	04-JAN-84	SHIPLIST 11785	
			[A] 01	DES.ENG.:	R. NELSON	DATE:	04-JAN-84	DOCUMENT NUMBER	
			[B]	RESP.ENG.:	R. NELSON	DATE:	04-JAN-84	SIZE	CODE
			[C]	MFG.ENG.:	M. KRYSAK	DATE:	04-JAN-84	K	PL
			[D]	ASSEMBLY NUMBER:		TOP DOCUMENT NUMBER:		NUMBER	REV
			[E]					7020580-0-DBP	A
			[F]					FILE NAME:	EDIT #
								Z7361A.PLS	2
<p>"THIS DRAWING AND SPECIFICATIONS HEREIN, ARE THE PROPERTY OF DIGITAL EQUIPMENT CORPORATION AND SHALL NOT BE REPRODUCED OR COPIED OR USED IN WHOLE OR IN PART AS THE BASIS FOR THE MANUFACTURE OR SALE OF ITEMS WITHOUT WRITTEN PERMISSION. COPYRIGHT (C) 1984. DIGITAL EQUIPMENT CORPORATION"</p>									
CHK HH A6									

*THIS DRAWING AND SPECIFICATIONS, HEREIN, ARE THE PROPERTY OF DIGITAL EQUIPMENT CORPORATION AND SHALL NOT BE REPRODUCED OR COPIED OR USED IN WHOLE OR IN PART AS THE BASIS FOR THE MANUFACTURE OR SALE OF ITEMS WITHOUT WRITTEN PERMISSION.
 COPYRIGHT © 1983 DIGITAL EQUIPMENT CORPORATION

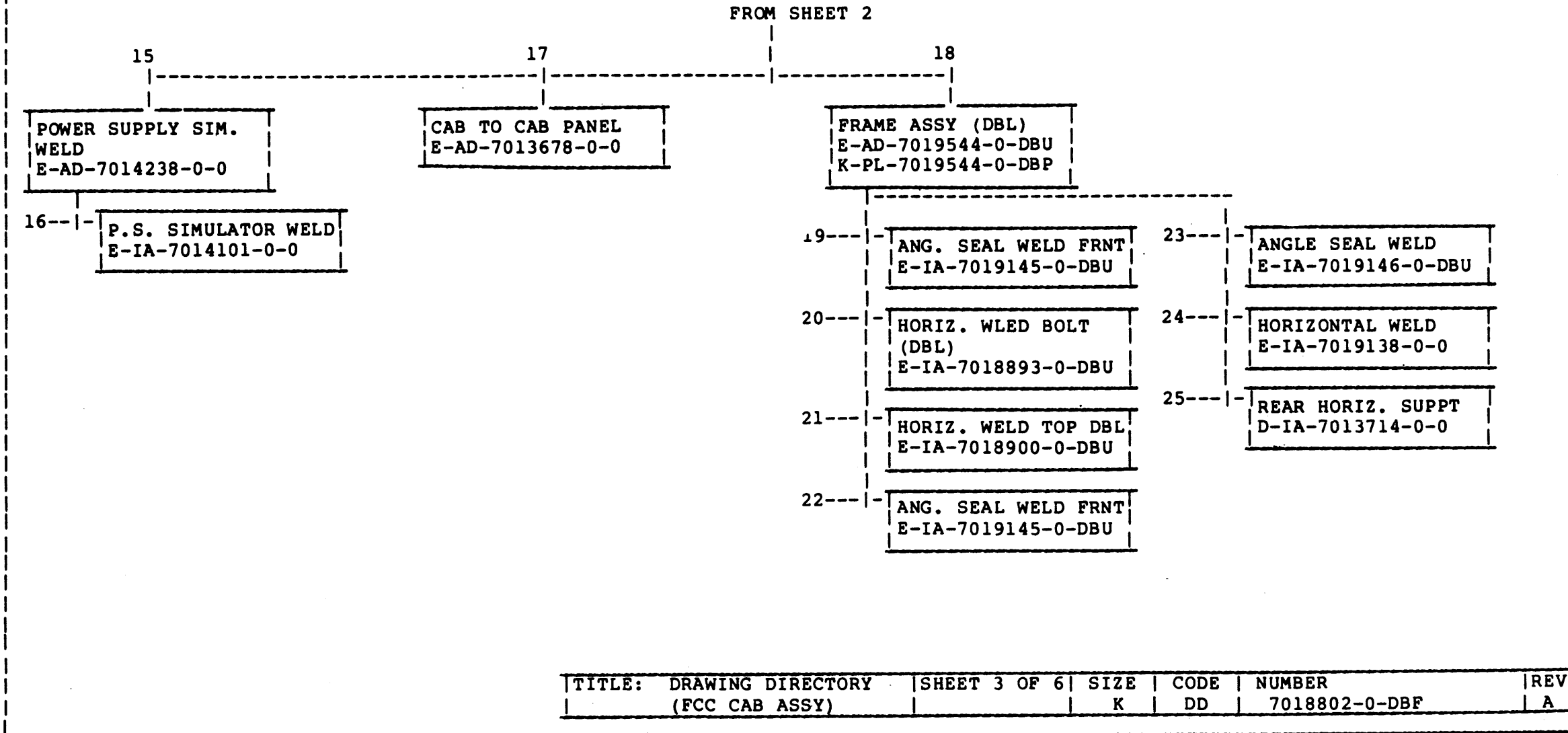


CONTINUE ON SHEET 3

TITLE: DRAWING DIRECTORY (FCC CAB ASSY)	SHEET 2 OF 6	SIZE K	CODE DD	NUMBER 7018802-0-DBF	REV A
--	--------------	-----------	------------	-------------------------	----------

TW

*THIS DRAWING AND SPECIFICATIONS, HEREIN, ARE THE PROPERTY OF DIGITAL EQUIPMENT CORPORATION AND SHALL NOT BE REPRODUCED OR COPIED OR USED IN WHOLE OR IN PART AS THE BASIS FOR THE MANUFACTURE OR SALE OF ITEMS WITHOUT WRITTEN PERMISSION.
 COPYRIGHT © 1983 DIGITAL EQUIPMENT CORPORATION



TITLE: DRAWING DIRECTORY (FCC CAB ASSY)	SHEET 3 OF 6	SIZE K	CODE DD	NUMBER 7018802-0-DBF	REV A
--	--------------	-----------	------------	-------------------------	----------

ITEM #	DRAWING NUMBER	DESCRIPTION	TYPE	ITEM #	DRAWING NUMBER	DESCRIPTION	TYPE
1	E-AD-7018802-0-0	VAX CAB & MECH ASSY (FCC)	E/M	3	D-IA-7013716-0-0	TUBING EXTRUSION WELDMENT	M
	K-PL-7018802-0-DBP	VAX CAB & MECH ASSY (FCC) P/L			C-MD-7418166-0-0	END PLATE TUBING EXTRUSION	
	E-MD-7418977-0-0	END PANEL			D-MD-7418087-0-0	TUBING EXTRUSION FRONT	
	B-MD-7417909-0-0	EXTRUSION SLIDING DOOR					
	D-MD-7419155-0-0	MOUNTING RAIL POWER SUPPLY					
	E-IA-7428295-0-0	PANEL I/O					
	D-IA-7418088-0-0	BACK STOP POWER SUPPLY		4	E-IA-7013838-0-0	CABLE TROUGH WELDMENT	M
	D-MD-7418974-0-0	AIR FLOW RESISTANCE PANEL			B-MD-7417860-0-0	CABLE SUPPORT	
	D-MD-7418975-0-0	TERMINATOR MOUNTING PLATE			B-MD-7417850-0-0	LOCKING CLIP	
	C-MD-7418729-0-0	SPACER STRIP			C-MD-7418976-0-0	SUPPORT ROD	
	C-MD-7418728-0-0	INSULATOR STRIP					
	D-MD-7418973-0-0	MBA DUMMY PANEL					
	D-IA-7420558-0-0	BRACKET DOOR					
	C-MD-7420556-0-0	HINGE REWORK		5	D-IA-7013715-0-0	SUPPORT TUBING WELD (REAR)	M
	C-MD-7418099-0-0	SUPPORT BLOWER MOUNTING			C-IA-7418163-0-0	END PLATE SUPPORT	
	B-MD-7418737-0-0	SLIDE BRACKET CAB			D-MD-7417852-0-0	SUPPORT TUBING REAR	
	D-MD-7418131-0-0	LATCH LOCK					
	B-MD-7426725-0-DBU	SHIELD SPRING					
				6	D-IA-7013722-0-0	SUPPORT TUBE WELD	M
					C-IA-7418163-0-0	END PLATE SUPPORT TUBING	
2	D-IA-7013721-0-0	TUBE WELD CAGE LOCK	M		D-MD-7417983-0-0	SUPPORT TUBING FRONT	
	C-MD-7418166-0-0	END PLATE TUBING EXTRUSION					
	D-MD-7418180-0-0	TUBING CAGE LOCK REAR					

TYPE: E = ELECTRICAL
M = MECHANICAL
E/M = ELECTRO/MECHANICAL

digital

TITLE:
DRAWING DIRECTORY
(FCC CAB ASSY)

SHEET 4 OF 6	SIZE K	CODE DD	NUMBER 7018802-0-DBF	REV A
--------------	-----------	------------	-------------------------	----------

ITEM #	DRAWING NUMBER	DESCRIPTION	TYPE	ITEM #	DRAWING NUMBER	DESCRIPTION	TYPE
7	D-IA-7016792-0-0	SEPARATOR, POWER SUPPLY	M	13	B-IA-7014099-0-0	NUT PLATE ASSY	M
	D-MD-7422417-0-0	PLATE SEPARATOR			B-MD-7417931-0-0	BLOWER MOUNTING PLATE	
	D-MD-7422418-0-0	PLATE BOTTOM			B-MD-7418730-0-0	ABSORBER PAD	
8	D-IA-7013726-0-0	BLOWER SUPPORT ASSY (CENTER)	M	14	D-IA-7013725-0-0	END BLOWER SUPPORT ASSY	M
9	C-IA-7013725-0-0	BLOWER SUPPORT	M	15	E-AD-7014328-0-0	POWER SUPPLY SIMULATOR WELDMENT	M
	C-IA-7417943-0-0	MTG BRACKET					
	C-MD-7417944-0-0	SUPPORT BRACKET					
10	D-IA-7013725-0-0	END BLOWER SUPPORT ASSY	M	16	E-IA-7014101-0-0	POWER SUPPLY SIMULATOR WELDMENT	M
11	E-IA-7014102-0-0	PLENUM & SCREEN ASSY	M				
	E-MD-7417922-0-0	PLENUM					
				17	E-AD-7013678-0-0	CAB-TO-CAB PANEL	M
					D-MD-7417864-0-0	PANEL CAB/CAB CONN.	
12	D-IA-7014100-0-0	SCREEN ASSY PLENUM	M				

TYPE: E = ELECTRICAL
M = MECHANICAL
E/M = ELECTRO/MECHANICAL

digital

TITLE:
DRAWING DIRECTORY
(FCC CAB ASSY)

SHEET 5 OF 6	SIZE K	CODE DD	NUMBER 7018802-0-DBF	REV A
--------------	-----------	------------	-------------------------	----------

ITEM #	DRAWING NUMBER	DESCRIPTION	TYPE	ITEM #	DRAWING NUMBER	DESCRIPTION	TYPE
18	E-AD-7019544-0-DBU	FRAME ASSY	M	22	E-IA-7019145-0-DBU	WELDMENT, SEAL FRONT	M
	K-PL-7019544-0-DBP	FRAME ASSY PARTS LIST					
	E-IA-7426060-0-DBU	RAIL					
	E-MD-7426640-0-DBU	SHIELD, CON'T (DBU)					
	E-MD-7426084-0-DBU	RAIL VERT					
	E-IA-7426612-0-DBU	SCREEN BOTTOM DOUBLE		23	E-IA-7019146-0-DBU	ANGLE WELDMENT SEAL	M
	E-MD-7426401-0-DBU	BRKT REAR SEAL					
	D-MD-7417939-0-0	VERT LOWER CTR					
	E-IA-7427168-0-DBU	HORIZ., DOUBLE (CTR) REAR					
	C-IA-7427166-0-DBU	BRKT MTG EXTRUSION					
	C-MD-7426875-0-DBU	BRKT, COVER CLIP		24	E-IA-7019138-0-0	HORIZONTAL WELDMENT	M
	B-MD-74XXXXX-0-DBU	PLATE NUT					
19	E-IA-7019145-0-DBU	ANGLE SEAL WELDMENT FRONT	M	25	D-IA-7013714-0-0	REAR HORIZONTAL SUPPORT	M
20	E-IA-7018893-0-DBU	HORIZONTAL, WELDMENT BOT DBL	M				
21	E-IA-7018900-0-DBU	HORIZONTAL WELD. TOP DBL	M				

TYPE: E = ELECTRICAL
M = MECHANICAL
E/M = ELECTRO/MECHANICAL

digitall

TITLE:
DRAWING DIRECTORY
(FCC CAB ASSY)

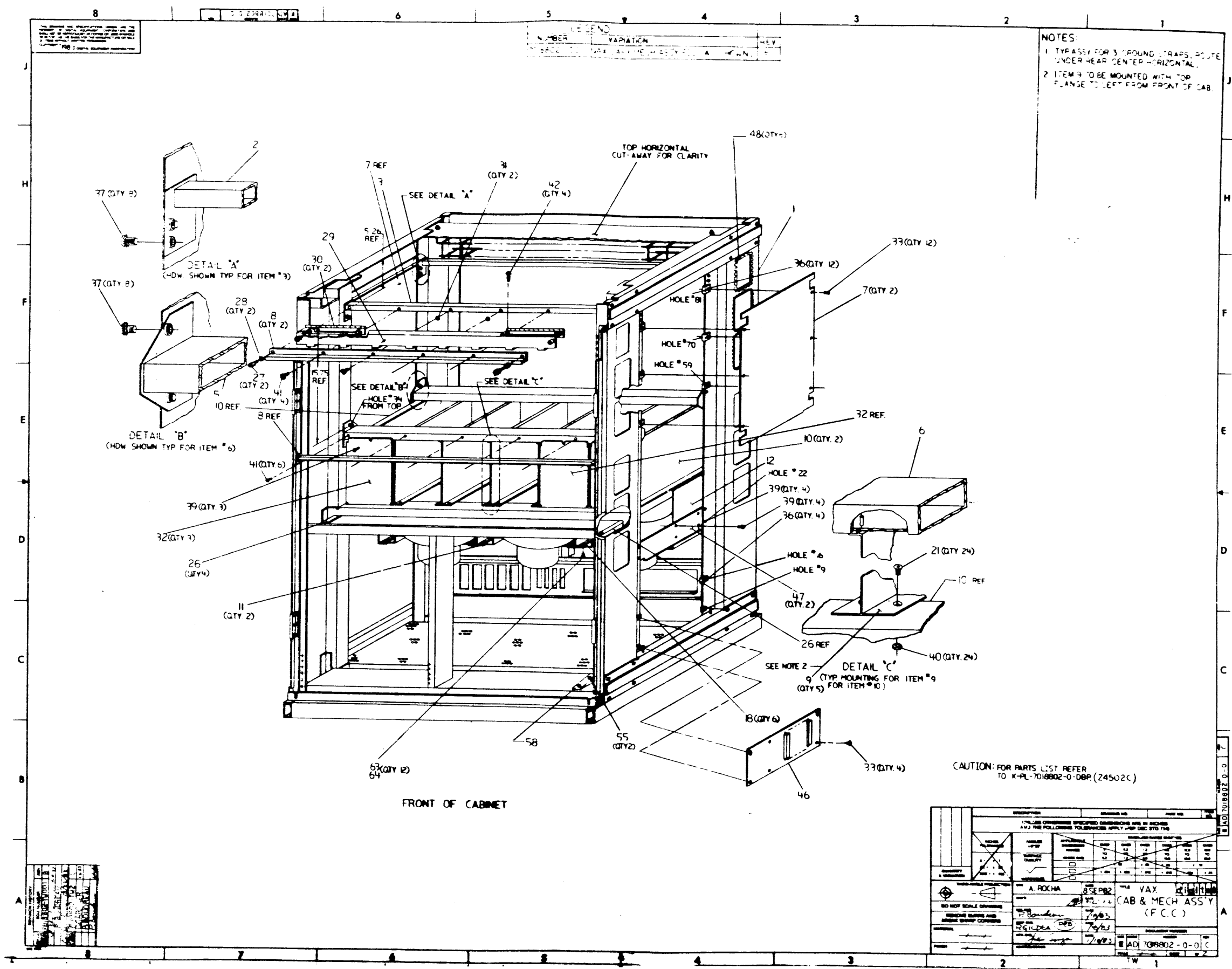
SHEET 6 OF 6

SIZE
K

CODE
DD

NUMBER
7018802-0-DBF

REV
A



LINE	ITEM	DOCUMENT NUMBER	PART NUMBER	DESCRIPTION	QUANTITY PER VARIATION
1	1	E-AD-7019544-0-DBU	7019544-00	FRAME ASSY, DBL	1
2	2	D-IA-7013721-0-0	7013721-00	TUBE WELD CAGE LOCK	1
3	3	D-IA-7013716-0-0	7013716-00	TUBING EXTRUSION WELDMENT	1
4	4	E-IA-7013838-0-0	7013838-00	CABLE TROUGH WELDMENT	1
5	5	D-IA-7013715-0-0	7013715-00	SUPPORT TUBING WELD (REAR)	1
6	6	D-IA-7013722-0-0	7013722-00	SUPPORT TUBE WELD (FRONT)	1
7	7	E-MD-7418977-0-0	7418977-00	END PANEL	2
8	8	B-MD-7417909-0-0	7417909-00	EXTRUSION SLIDING DOOR	2
9	9	D-IA-7016492-0-0	7016492-00	SEPARATOR PWR SUP. WELDMENT ASSY	5
10	10	D-MD-7419155-0-1	7419155-01	MTG RAIL POWER SUPPLY	2
11	11	D-IA-7013726-0-0	7013726-00	BLOWER SUPP ASSY (CENTER)	2
12	12	D-IA-7013725-0-2	7013725-02	END BLOWER SUPPORT ASSY	1
13	13	E-IA-7014102-0-0	7014102-00	PLENUM AND SCREEN ASSY.	3
14	14	E-IA-7426641-0-0	7426641-01	PANEL,I/O,(VAX)	1
15	15	D-IA-7418088-0-0	7418088-00	BACK STOP POWER SUPPLY	1
16	16	D-MD-7418974-0-0	7418974-00	AIR FLOW RESISTANCE PANEL	3
17	17	D-MD-7418975-0-0	7418975-00	TERMINATOR MTG PLATE	1
18	18	B-IA-7014099-0-0	7014099-00	NUT PLATE ASSY.	6
19	19	C-MD-7418729-0-0	7418729-00	SPACER STRIP	1
20	20	C-MD-7418728-0-0	7418728-00	INSULATOR STRIP	1
21	21		9006037-02	SCREW,MACH FLAT PHIL	8- 25
22	22		9006664-00	WASHER,FLAT SST	3
23	23	D-MD-7418973-0-0	7418973-00	MBA DUMMY PANEL	2
24	24		9006560-00	NUT,HEX EXT TOOTH LCKWSHR	6-32 24
25	25	D-IA-7013725-0-0	7013725-03	END BLOWER SUPPOORT ASSY	1
26	26		9009718-04	GROMMET,STRIP STYRENE	4
27	27		9000001-10	STANDOFF,MALE/FEMALE HEX	6-32 2
28	28		9006633-00	WASHER,LOCK INTERNAL STEEL	2
29	29	D-IA-7420558-0-0	7420558-00	BRACKET, DOOR	1
30	30	C-MD-7420556-0-0	7420556-00	HINGE REWORK	2

REVISION HISTORY			BASIC PART NO: 7018802		D I G I T A L	
ENG:	ECO NUMBER	REV	SECTION A OF A	DRN:	S.CHARTIER	DATE: 9-AUG-82
---	INITIAL	A	SECTION VARIATION INDEX	CHK'D:	R.J. RILEY	DATE: 10-AUG-82
			[A] 00			TITLE PARTS LIST
			[B]	DES.ENG.:	P BOUDREAU	DATE: 18-JAN-83
			[C]	RESP.ENG.:	P. GILDAE	DATE: 18-JAN-83
			[D]			DOCUMENT NUMBER
			[E]	MFG.ENG.:	J. SOUZA	DATE: 18-JAN-83
			[F]	ASSEMBLY NUMBER:	E-AD-7018802-0-0	TOP DOCUMENT NUMBER:
						FILE NAME: Z4502A.PLS
						EDIT #: 18

"THIS DRAWING AND SPECIFICATIONS HEREIN, ARE THE PROPERTY OF DIGITAL EQUIPMENT CORPORATION AND SHALL NOT BE REPRODUCED OR COPIED OR USED IN WHOLE OR IN PART AS THE BASIS FOR THE MANUFACTURE OR SALE OF ITEMS WITHOUT WRITTEN PERMISSION. COPYRIGHT (C) 1983. DIGITAL EQUIPMENT CORPORATION "

AUTOMATED BY PRTLST.3P(44)

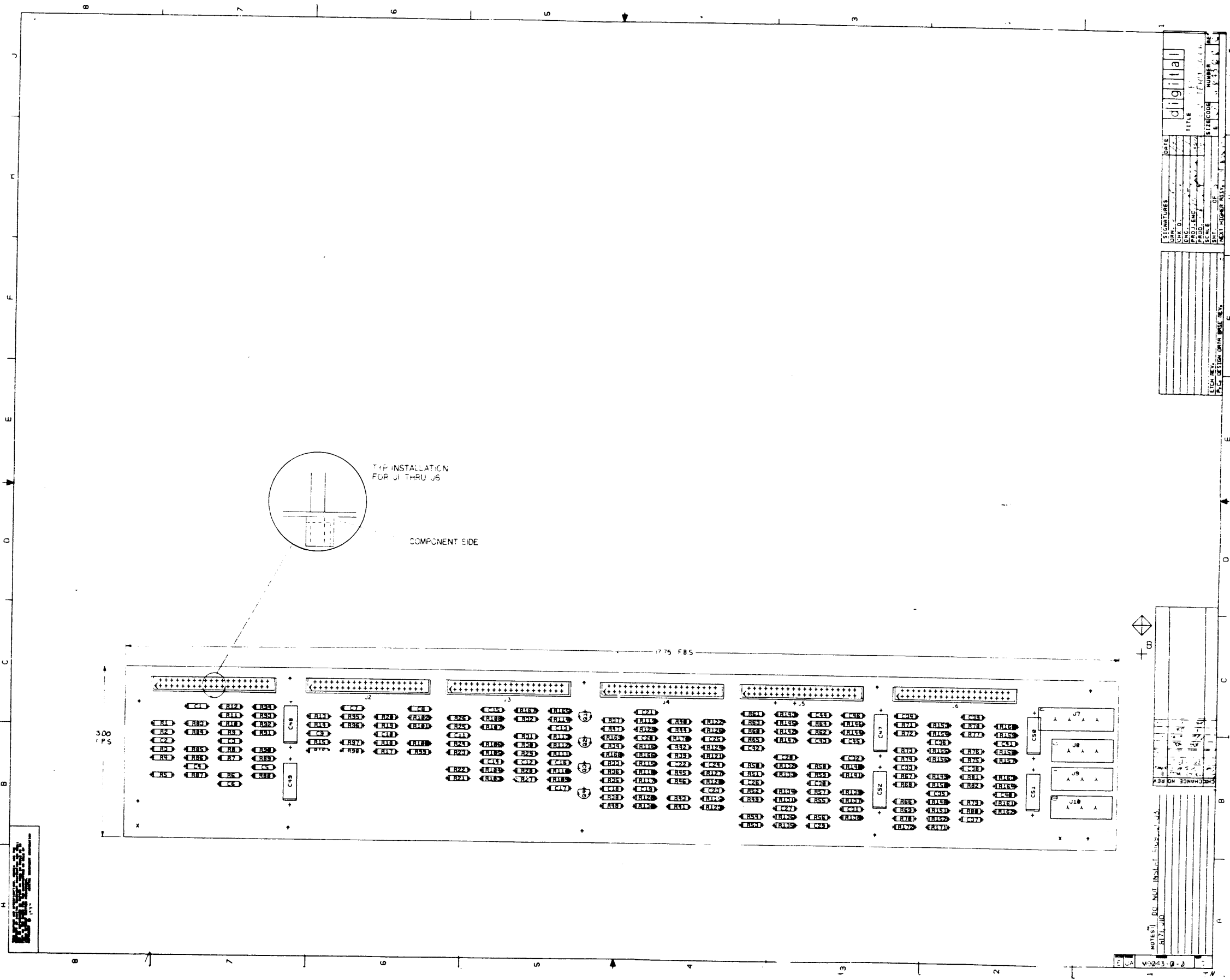
PARTS LIST

SHEET A2 OF A2

LINE	ITEM	DOCUMENT NUMBER	PART NUMBER	DESCRIPTION	QUANTITY PER VARIATION
31	31		9006658-00	WASHER,FLAT STEEL	26
32	32	E-AD-7014238-0-0	7014238-00	POWER SUPPLY SIMULATOR WELDMENT	3
33	33		9009700-00	SCREW,SEMS TRUSS PHIL 10-	28
34	34		9009545-00	SCREW,SEMS PAN PHIL 8-	14
35	35		9006565-00	NUT,HEX EXT TOOTH LCKWSHR 10-32	11
36	36		9007786-00	NUT,U-NUT RETAINER .240ID	24
37	37		9000049-18	SCREW,SEMS TRUSS PHIL 10-	28
38	38		9000004-04	SCREW,NYLN FLAT SLOT 8-	9
39	39		9000049-28	SCREW,SEMS PAN PHIL 8-	44
40	40		9006563-00	NUT,HEX EXT TOOTH LCKWSHR 8-32	24
41	41		9009701-00	SCREW,SEMS PAN PHIL 6-	10
42	42		9010174-00	SCREW,SEMS PAN PHIL 6-	4
43	44		9009321-00	LOCK TITE, SCREW LOCK, 10CC PER	A/R
44	45		1213893-00	BLOWER,FORWD CURVED 400CFM 230V	3
45	46	E-AD-7013678-0-0	7013678-00	CAB TO CAB PANEL	1
46	47	C-MD-7418099-0-0	7418099-00	SUPPORT BLOWER MTR	2
47	48		9007036-00	GROMMET,CATERPILLAR POLYAMIDE	4
48	55		9006075-02	SCREW,MACH FLAT PHIL 10-	1
49	56	B-MD-7418737-0-0	7418737-00	SLIDE BRACKET CAB	2
50	57	SEE NOTE	9009087-00	FOAM, TAPE, SINGLE SIDED 1/8 THK	42
51	58	D-MD-7418131-0-0	7418131-00	LATCH LOCK	1
52	59	B-MD-7426725-0-DBU	7426725-01	SHIELD, SPRING	10
53	60		9000049-45	SCREW,SEMS HEX SLOT 10-	12
54	62		9010003-01	RIVET, DOME .187DX .281	11

55 NOTE: NOTE 2 ITEM 57 QTY IS IN INCHES

D	I	G	I	T	A	L	TITLE	VAX CAB & MECH ASSY (FCC)	SECTION A	OF	A	SIZE	CODE	DOCUMENT NUMBER	REV
												K	PL	7018802-0-DBP	A

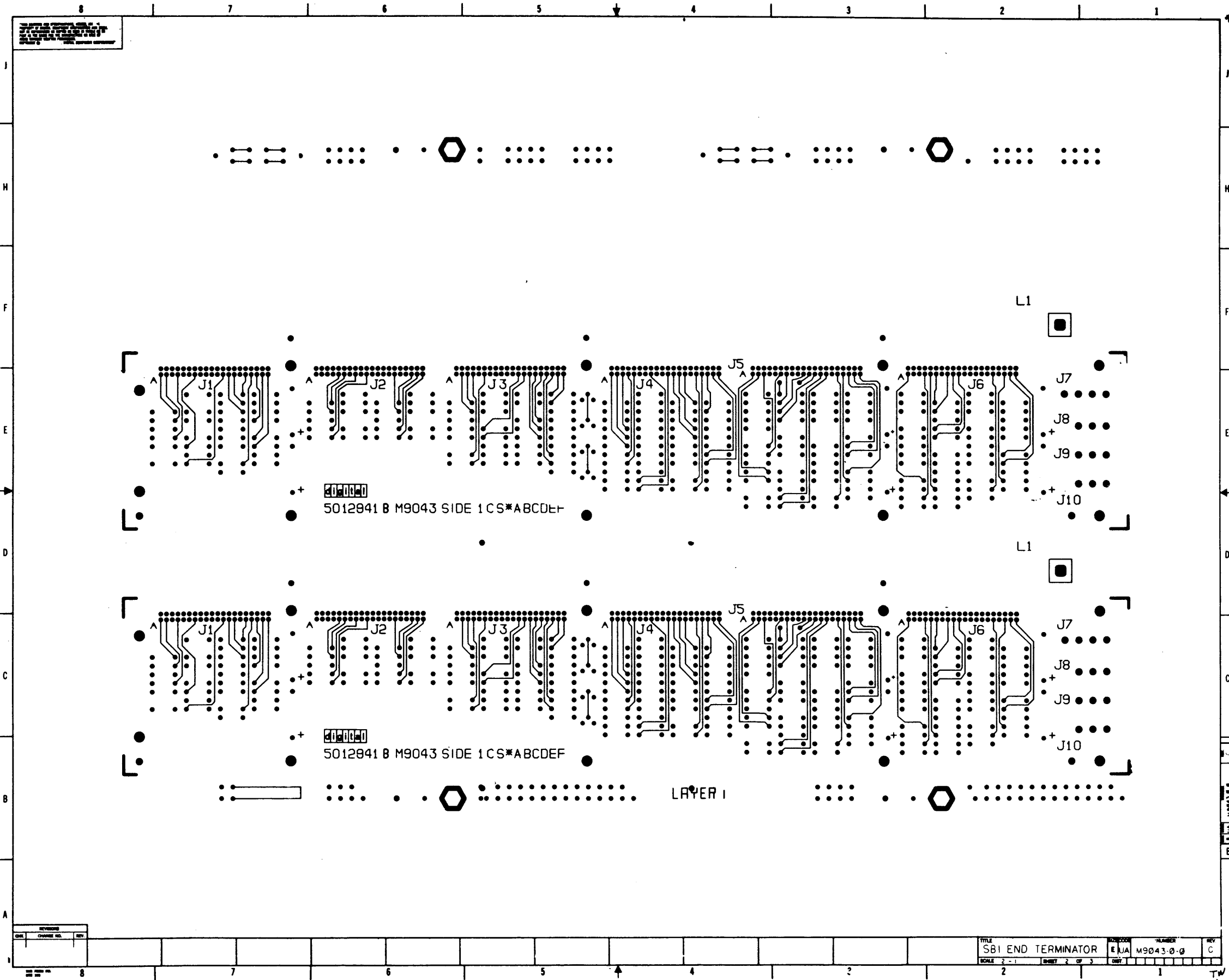


DATE	11/15/54
DESIGNER	W. J. B. / digital
ENGINEER	W. J. B. / digital
PROGRAM	W. J. B. / digital
SCALE	W. J. B. / digital
PROJECT NUMBER	W. J. B. / digital
REV.	W. J. B. / digital
BY	W. J. B. / digital
CHECKED	W. J. B. / digital
APPROVED	W. J. B. / digital
TITLE	W. J. B. / digital
SIZE CODE	W. J. B. / digital
NUMBER	W. J. B. / digital
REV.	W. J. B. / digital

CHANGE NO.	
DATE	
BY	
REASON	
APPROVED	
REVISIONS	
NO.	
DATE	
BY	
REASON	
APPROVED	

NOTES: DO NOT INSTALL THIS UNIT
 1775 FBS
 300 FPS





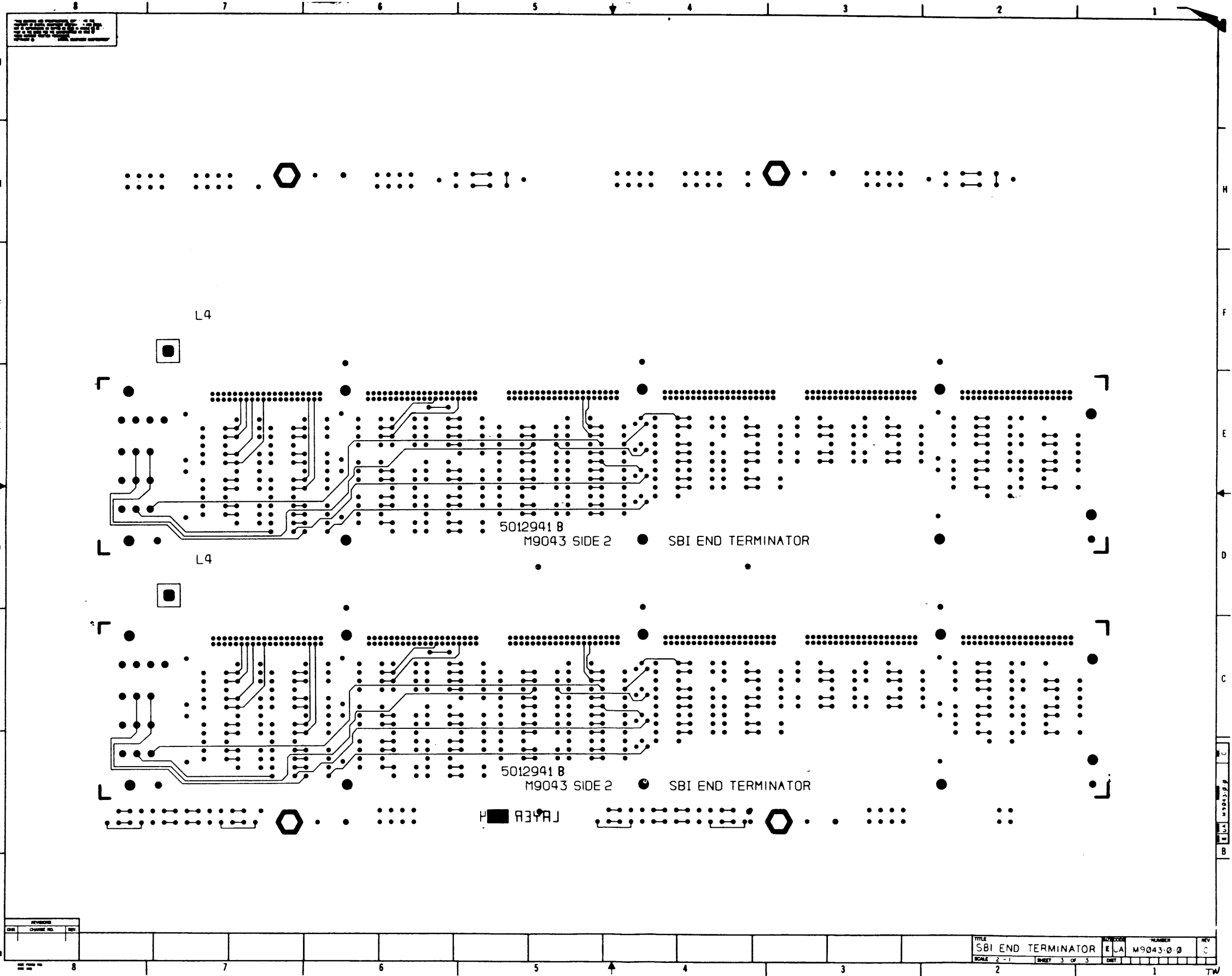
ALL DIMENSIONS ARE IN MILLIMETERS
 UNLESS OTHERWISE SPECIFIED
 TOLERANCES ARE:
 DIMENSIONS IN MILLIMETERS: ±0.25
 DIMENSIONS IN INCHES: ±0.005

5012841 B M9043 SIDE 1 CS*ABCDE+

5012841 B M9043 SIDE 1 CS*ABCDEF

LAYER 1

TITLE		SHEET		REV	
SBI END TERMINATOR		EJA M9043-0-0		C	
SCALE 2-1	SHEET 2 OF 3	DATE	BY	CHKD	APPD



REV	DATE	BY	CHKD

TITLE	SBI END TERMINATOR	DESIGNER	EJA	NUMBER	M9043-0-0	REV	C
SCALE	2-1	SHEET	3 OF 3	DWT			

1
2
3
4
5
6
7
8
9
10
11
12
13
14
15
16
17
18
19
20
21
22
23
24
25
26
27
28
29
30
31
32
33
34
35
36
37
38
39
40
41
42
43
44
45
46
47
48
49
50
51
52
53
54
55
56
57
58
59
60
61
62
63
64
65
66
67
68
69
70
71
72
73
74
75
76
77
78
79
80
81
82
83
84
85
86
87
88
89
90
91
92
93
94
95
96
97
98
99
100
101
102
103
104
105
106
107
108
109
110
111
112
113
114
115
116
117
118
119
120
121
122
123
124
125
126
127
128
129
130
131
132
133
134
135
136
137
138
139
140
141
142
143
144
145
146
147
148
149
150
151
152
153
154
155
156
157
158
159
160
161
162
163
164
165
166
167
168
169
170
171
172
173
174
175
176
177
178
179
180
181
182
183
184
185
186
187
188
189
190
191
192
193
194
195
196
197
198
199
200
201
202
203
204
205
206
207
208
209
210
211
212
213
214
215
216
217
218
219
220
221
222
223
224
225
226
227
228
229
230
231
232
233
234
235
236
237
238
239
240
241
242
243
244
245
246
247
248
249
250
251
252
253
254
255
256
257
258
259
260
261
262
263
264
265
266
267
268
269
270
271
272
273
274
275
276
277
278
279
280
281
282
283
284
285
286
287
288
289
290
291
292
293
294
295
296
297
298
299
300
301
302
303
304
305
306
307
308
309
310
311
312
313
314
315
316
317
318
319
320
321
322
323
324
325
326
327
328
329
330
331
332
333
334
335
336
337
338
339
340
341
342
343
344
345
346
347
348
349
350
351
352
353
354
355
356
357
358
359
360
361
362
363
364
365
366
367
368
369
370
371
372
373
374
375
376
377
378
379
380
381
382
383
384
385
386
387
388
389
390
391
392
393
394
395
396
397
398
399
400
401
402
403
404
405
406
407
408
409
410
411
412
413
414
415
416
417
418
419
420
421
422
423
424
425
426
427
428
429
430
431
432
433
434
435
436
437
438
439
440
441
442
443
444
445
446
447
448
449
450
451
452
453
454
455
456
457
458
459
460
461
462
463
464
465
466
467
468
469
470
471
472
473
474
475
476
477
478
479
480
481
482
483
484
485
486
487
488
489
490
491
492
493
494
495
496
497
498
499
500
501
502
503
504
505
506
507
508
509
510
511
512
513
514
515
516
517
518
519
520
521
522
523
524
525
526
527
528
529
530
531
532
533
534
535
536
537
538
539
540
541
542
543
544
545
546
547
548
549
550
551
552
553
554
555
556
557
558
559
560
561
562
563
564
565
566
567
568
569
570
571
572
573
574
575
576
577
578
579
580
581
582
583
584
585
586
587
588
589
590
591
592
593
594
595
596
597
598
599
600
601
602
603
604
605
606
607
608
609
610
611
612
613
614
615
616
617
618
619
620
621
622
623
624
625
626
627
628
629
630
631
632
633
634
635
636
637
638
639
640
641
642
643
644
645
646
647
648
649
650
651
652
653
654
655
656
657
658
659
660
661
662
663
664
665
666
667
668
669
670
671
672
673
674
675
676
677
678
679
680
681
682
683
684
685
686
687
688
689
690
691
692
693
694
695
696
697
698
699
700
701
702
703
704
705
706
707
708
709
710
711
712
713
714
715
716
717
718
719
720
721
722
723
724
725
726
727
728
729
730
731
732
733
734
735
736
737
738
739
740
741
742
743
744
745
746
747
748
749
750
751
752
753
754
755
756
757
758
759
760
761
762
763
764
765
766
767
768
769
770
771
772
773
774
775
776
777
778
779
780
781
782
783
784
785
786
787
788
789
790
791
792
793
794
795
796
797
798
799
800
801
802
803
804
805
806
807
808
809
810
811
812
813
814
815
816
817
818
819
820
821
822
823
824
825
826
827
828
829
830
831
832
833
834
835
836
837
838
839
840
841
842
843
844
845
846
847
848
849
850
851
852
853
854
855
856
857
858
859
860
861
862
863
864
865
866
867
868
869
870
871
872
873
874
875
876
877
878
879
880
881
882
883
884
885
886
887
888
889
890
891
892
893
894
895
896
897
898
899
900
901
902
903
904
905
906
907
908
909
910
911
912
913
914
915
916
917
918
919
920
921
922
923
924
925
926
927
928
929
930
931
932
933
934
935
936
937
938
939
940
941
942
943
944
945
946
947
948
949
950
951
952
953
954
955
956
957
958
959
960
961
962
963
964
965
966
967
968
969
970
971
972
973
974
975
976
977
978
979
980
981
982
983
984
985
986
987
988
989
990
991
992
993
994
995
996
997
998
999
1000

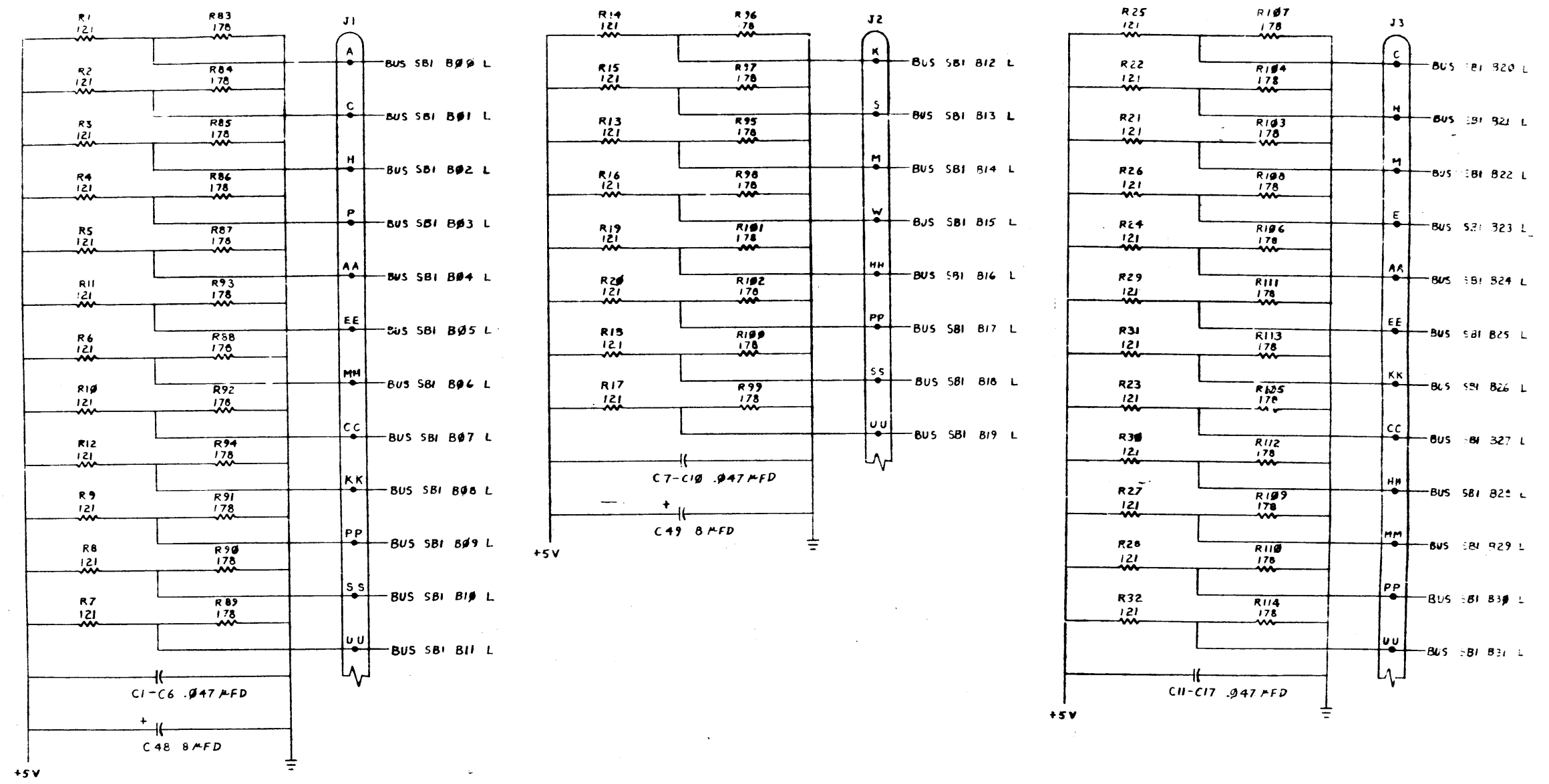
LINE	ITEM	DOCUMENT NUMBER	PART NUMBER	DESCRIPTION	QTY PER VARIATION	REFERENCE DESIGNATOR
					00	
1	1	E-MD-5012941-0-0	5012941-00	ETCH BOARD FOR M9043	1	
2	2		1012084-01	8 MFD 25V +75-10% AL EL	6	C47-C52
3	3		1012784-00	.047 MFD 50V +80-20% CER	46	C1-C46
4	4		1212297-01	MATE-N-LOK 4PIN UNIV HEADER	1	J7
5	5		1212297-03	MATE-N-LOK 3PIN UNIV HEADER	2	J8, J9
6	6		1218396-00	HEADER.100 40PIN W/SHROUD	6	J1-J6
7	7		1300365-00	1.0 K .25 W 5.0 % CC	2	R170, R172
8	8		1302957-00	121.0 .25 W 1.0 % RN55D-F10	84	R1-R82, R167, R168
9	9		1311422-00	178.0 .25 W 1.0 % RN55D-F10	84	R83-R166
10	10		1511686-00	DEC5433 FET N 350MW 10 25 1A	2	Q2, Q4

REVISION HISTORY			BASIC PART NO: M9043		DRN: P SANFILLIPO		DATE: 16-SEP-77		DIGITAL	
ENG	ECO NUMBER	REV	SECTION A OF A		CHK'D: F GAROFALO		DATE: 16-SEP-77		TITLE PARTS LIST	
---	INIT	A	SECTION VARIATION INDEX		DES.ENG: BARRY FLAHIVE		DATE: 30-DEC-77		DOCUMENT NUMBER	
JB	M9043-TW003	B	[A] 00		RESP.ENG.: BARRY FLAHIVE		DATE: 30-DEC-77		SBI FAR-END TERMINATOR	
			[B]		MFG.ENG.: MIKE TERELLA		DATE: 30-DEC-77		K PL M9043-0-DBP B	
			[C]		ASSEMBLY NUMBER:		TOP DOCUMENT NUMBER:		FILE NAME: EDIT #	
			[D]		E-UA-M9043-0-0		M9043		Z1865.PLS 11	
			[E]							
			[F]							
			[G]							
			[H]							
			[I]							
			[J]							
			[K]							
			[L]							
			[M]							
			[N]							

*THIS DRAWING AND SPECIFICATIONS HEREIN, ARE THE PROPERTY OF DIGITAL EQUIPMENT CORPORATION AND SHALL NOT BE REPRODUCED OR COPIED OR USED IN WHOLE OR IN PART AS THE BASIS FOR THE MANUFACTURE OR SALE OF ITEMS WITHOUT WRITTEN PERMISSION. COPYRIGHT (C) 1981. DIGITAL EQUIPMENT CORPORATION *

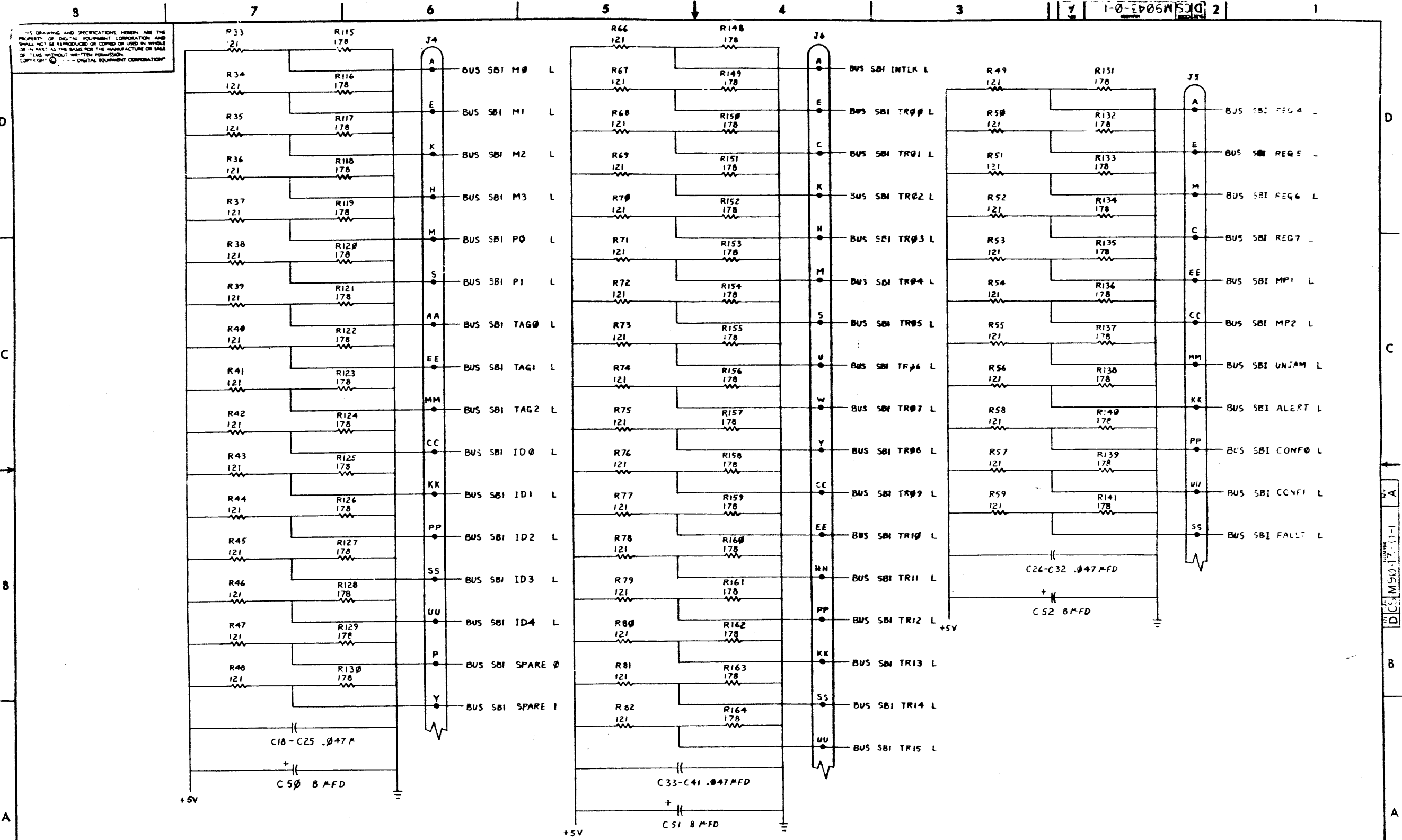
TW

THIS DRAWING AND SPECIFICATIONS ARE THE PROPERTY OF THE MANUFACTURER AND WILL BE FURNISHED TO YOU UNDER THE PROVISIONS OF THE LICENSE TO MANUFACTURE OR TO THE BUYER OF THE PARTS WITHOUT WRITTEN PERMISSION OF THE MANUFACTURER.



REV	DATE	BY	CHK
A	12-1-77	B. FLAHERTY	

DRN. <i>[Signature]</i>	FIRST USED ON
CHFD. <i>[Signature]</i>	
ENG. <i>[Signature]</i>	TITLE
PROJ. ENG. <i>[Signature]</i>	SBI FAR-END TERMINATOR (SFTA)
PROD. <i>[Signature]</i>	
NEXT HIGHER ASSY	
SCALE	SIZE CODE NUMBER REV
SHEET 1 OF 4	D CS M9043-0-1 A
	DIST

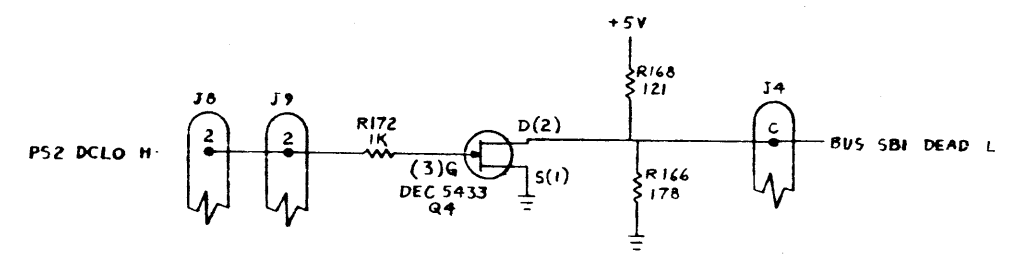
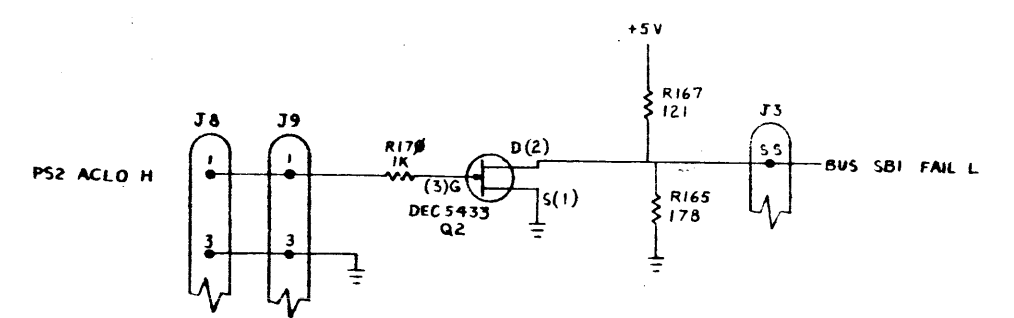
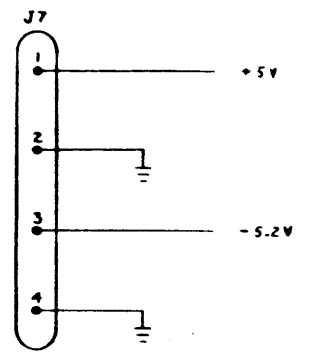
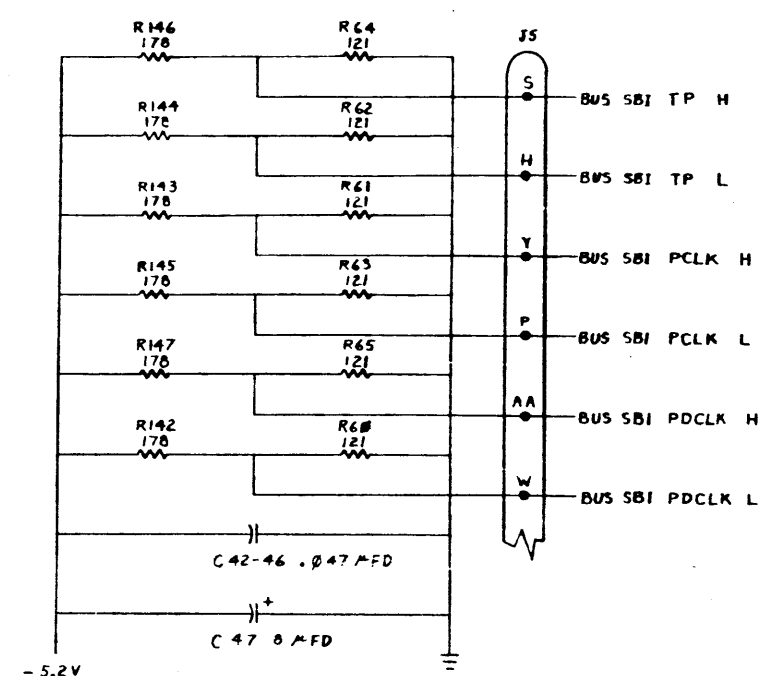


THIS DRAWING AND SPECIFICATIONS HEREIN ARE THE PROPERTY OF DIGITAL EQUIPMENT CORPORATION AND SHALL NOT BE REPRODUCED OR COPIED IN WHOLE OR IN PART AS THE BASIS FOR THE MANUFACTURE OR SALE OF THIS WITHOUT WRITTEN PERMISSION. COPYRIGHT © 1970 DIGITAL EQUIPMENT CORPORATION

REVISIONS		
CHK	CHANGE NO.	REV.

TITLE SBI FAR-END TERMINATOR (SFTS)
 NUMBER DCS M9243-0-1
 SHEET 2 OF 4

ALL DRAWING AND SPECIFICATIONS HEREIN ARE THE PROPERTY OF DIGITAL EQUIPMENT CORPORATION AND SHALL NOT BE REPRODUCED OR COPIED OR USED IN WHOLE OR IN PART AS THE BASIS FOR THE MANUFACTURE OR SALE OF ANY PRODUCT WITHOUT WRITTEN PERMISSION OF DIGITAL EQUIPMENT CORPORATION.



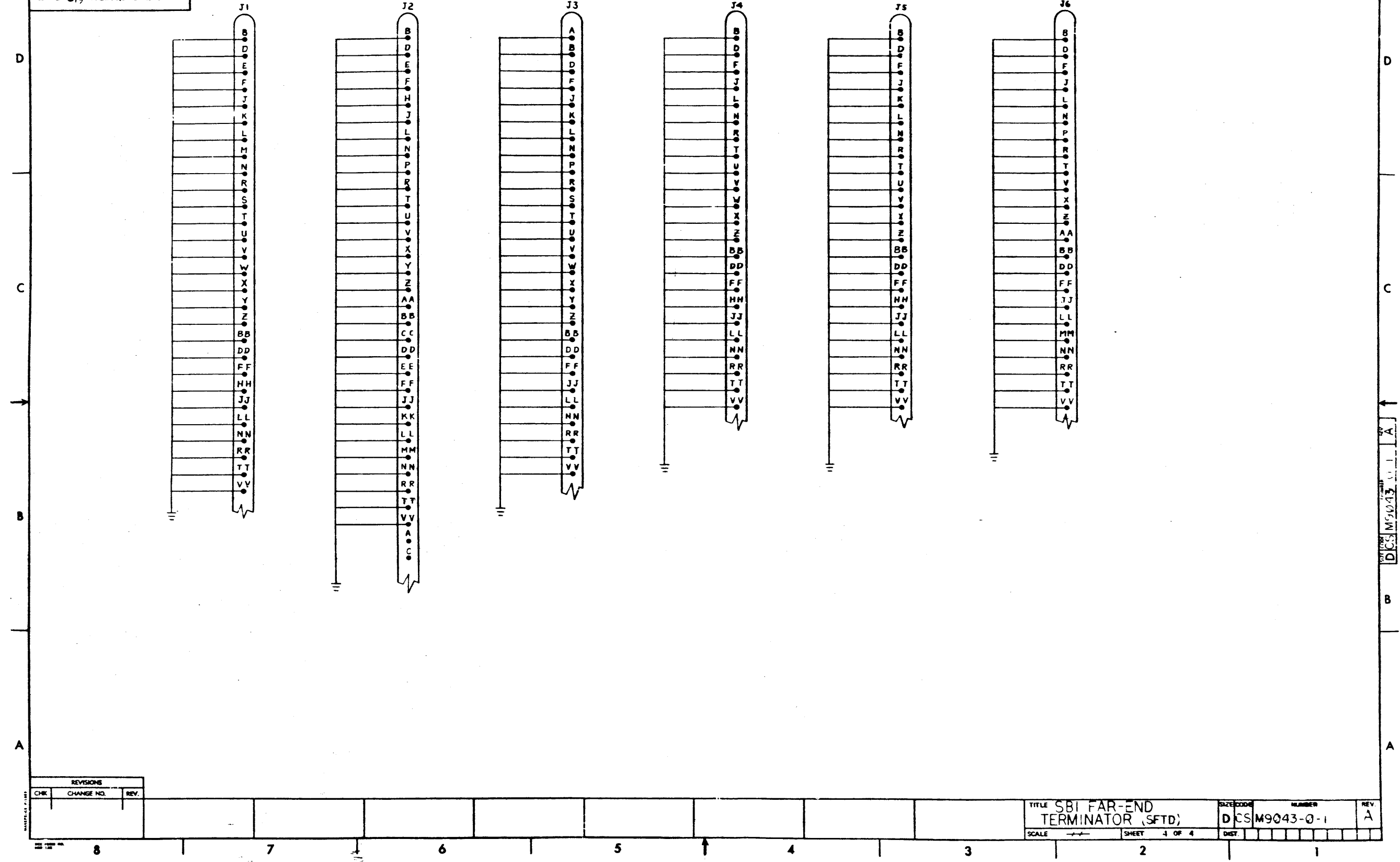
REVISIONS		
CHK	CHANGE NO.	REV.

TITLE SBI FAR-END TERMINATOR SFTC
 SCALE 1:1 SHEET 3 OF 4
 SIZE CODE DCS M9043-0-1
 NUMBER 1
 REV. A

DCS M9043-0-1

THIS DRAWING AND SPECIFICATIONS HEREIN ARE THE PROPERTY OF DIGITAL EQUIPMENT CORPORATION AND SHALL NOT BE REPRODUCED OR COPIED OR USED IN WHOLE OR IN PART AS THE BASIS FOR THE MANUFACTURE OR SALE OF ITEMS WITHOUT WRITTEN PERMISSION. COPYRIGHT © 1973 - DIGITAL EQUIPMENT CORPORATION

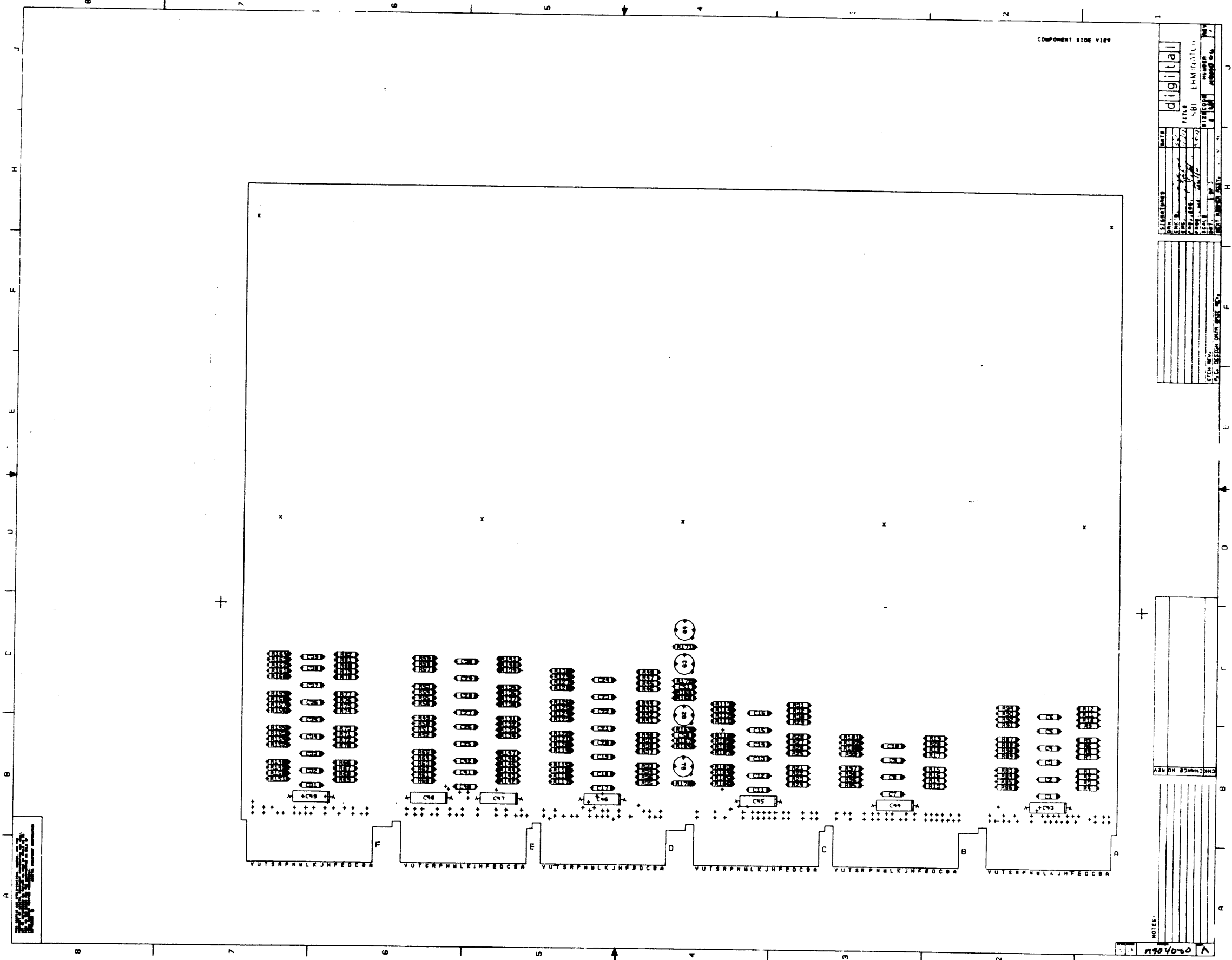
DCS M9043-0-1



REVISIONS		
CHK	CHANGE NO.	REV.

TITLE	SBI FAR-END TERMINATOR (SFTD)	SIZE CODE	DCS M9043-0-1	NUMBER		REV	A
SCALE		SHEET	4 OF 4	DIST			

8 7 6 5 4 3 2 1



COMPONENT SIDE VIEW

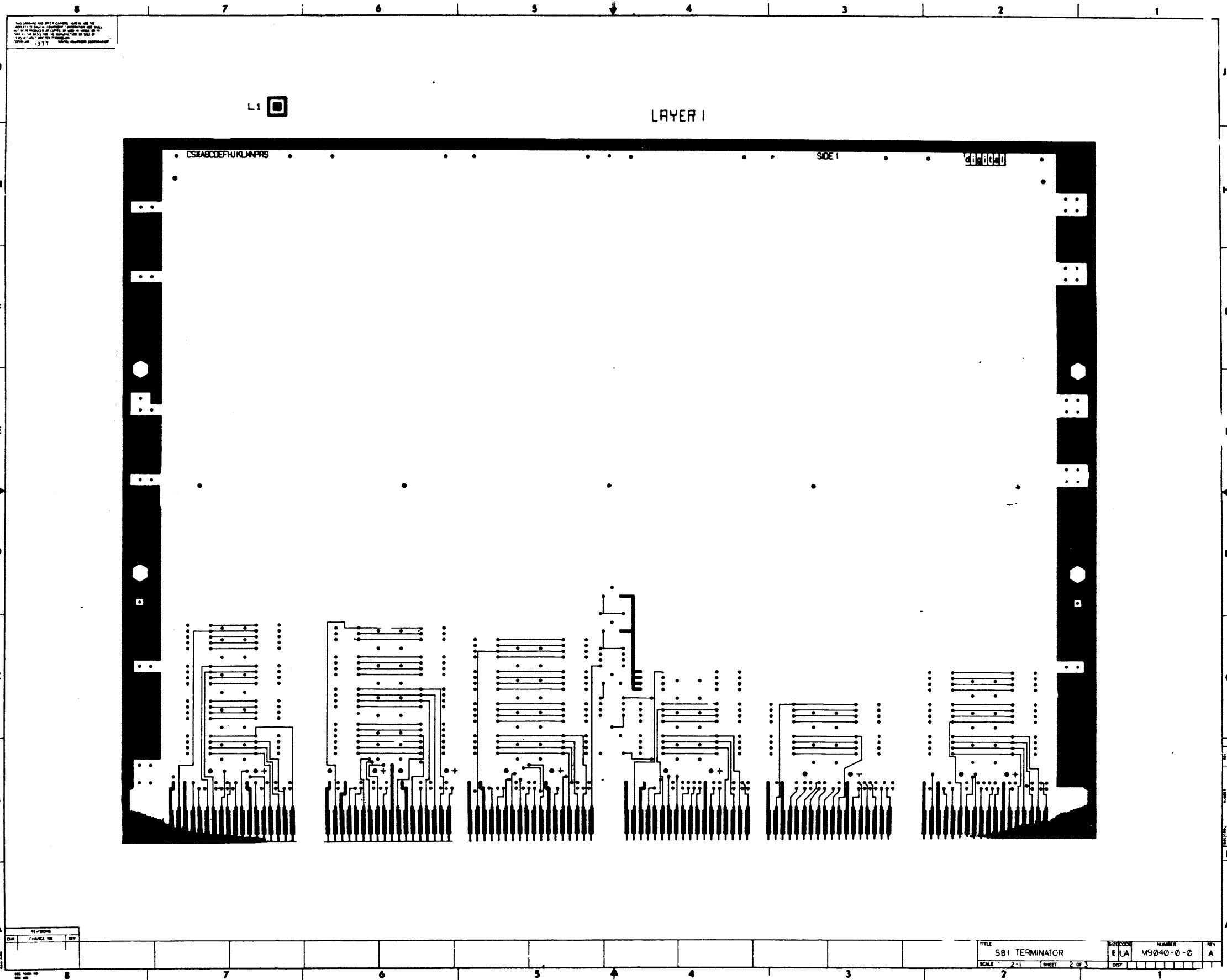
DATE	10/27/77	TITLE	digital
DESIGNED BY	[Signature]	DESIGNED BY	[Signature]
CHECKED BY	[Signature]	CHECKED BY	[Signature]
DATE	10/27/77	DATE	10/27/77
BY	[Signature]	BY	[Signature]
SCALE	1:1	SCALE	1:1
PROJECT	1000000000	PROJECT	1000000000
REV	1	REV	1

ITEM NO.	1	QTY	1
DESCRIPTION	PCB	DESCRIPTION	PCB
REV	1	REV	1
DATE	10/27/77	DATE	10/27/77
BY	[Signature]	BY	[Signature]

CHANGE NO.	1
DESCRIPTION	
DATE	
BY	

NOTES:

1	1904060
2	
3	
4	
5	
6	

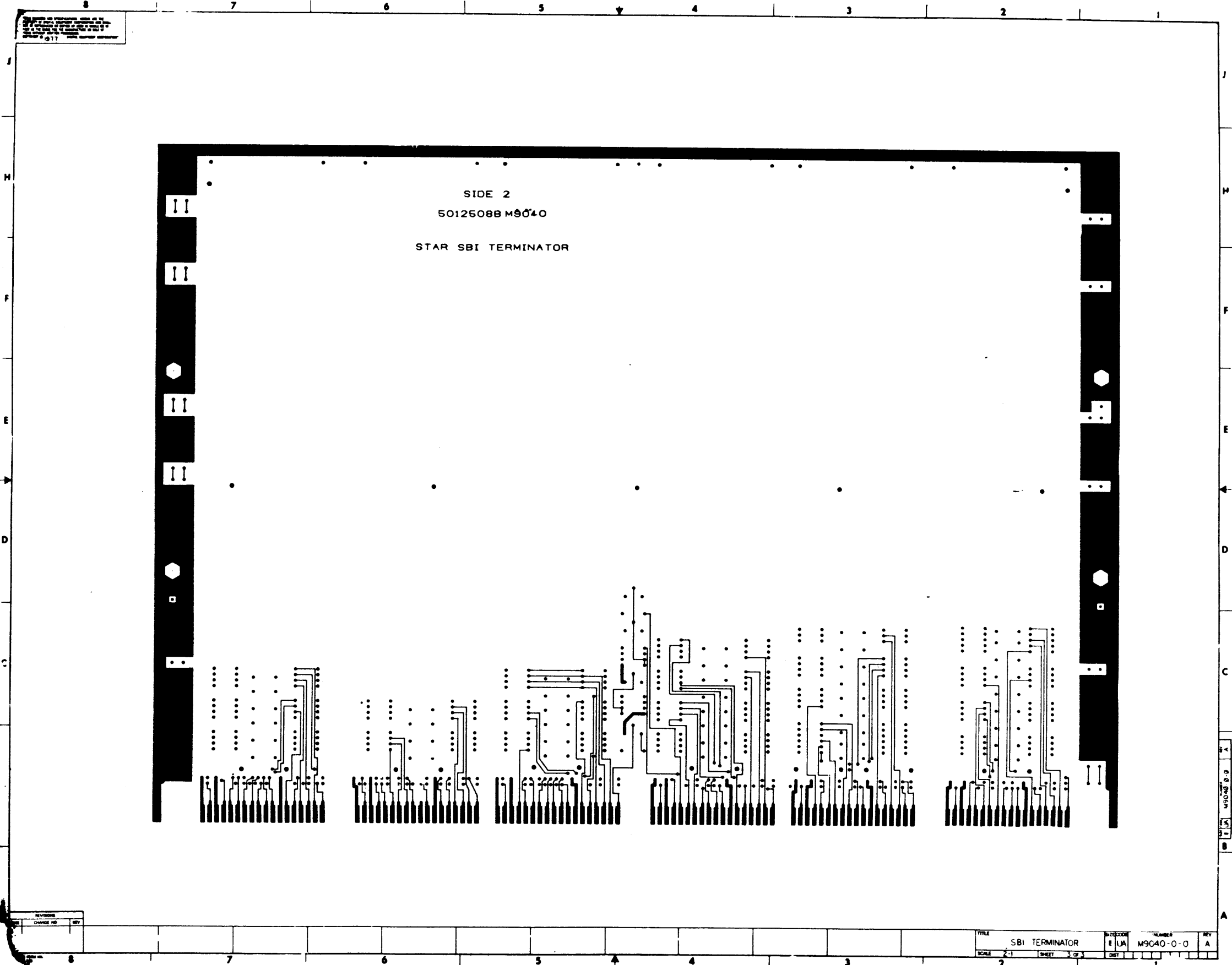


ALL DIMENSIONS AND SPACING UNLESS OTHERWISE SPECIFIED ARE IN MILLIMETERS (0.025 INCHES). DIMENSIONS ARE TO CENTER UNLESS OTHERWISE SPECIFIED.
 DATE: 1977 10000 NUMBER CONTAINER

REVISIONS		
DATE	CHANGE NO.	REV.

TITLE	SIZE/SCALE	NUMBER	REV.
SBI TERMINATOR	8 LA	M9040-0-2	A
SCALE: 2-1	SHEET: 2 OF 3	DATE:	

THIS DRAWING IS UNCLASSIFIED
 DATE 08-14-2001 BY 60322 UCBAW/STP
 10/17/01



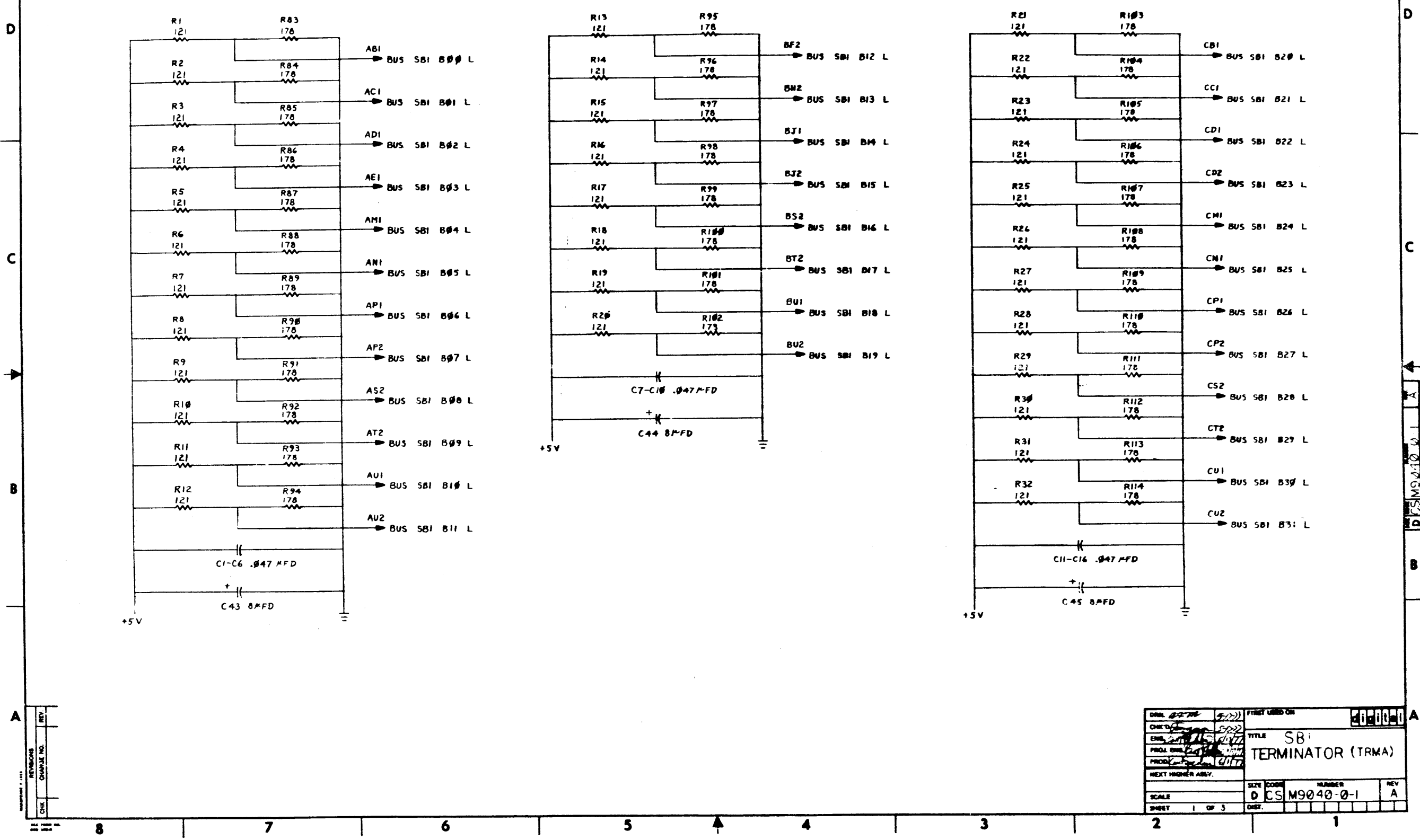
REV	DESCRIPTION	DATE

TITLE	SBI TERMINATOR	DESIGNER	EUA	NUMBER	M9040-0-0	REV	A
SCALE	2:1	SHEET	3 OF 3	DIST			

DIGITAL EQUIPMENT CORPORATION PARTS LIST				QUANTITY / VARIATION										NOTES:				
MADE BY D. BILODEAU DATE 7 OCT 76		CHECKED G. GIDDINGS DATE 6 APR 77												104803 ETCH REV B CS REV A				
ENG. DATE 1/5/77		PROD. DATE 7-5-77																
ITEM NO.	DRAWING NO.	PART NO.	DESCRIPTION	M9040-0-0														REF DESIGNATION
1	E-MD-5012508-0-0	5012508	ETCH BOARD	1														
2		1012784	CAPACITOR, .047UF, 50V, CER	44														C1-C42, C50, C51
3		1012084-01	CAPACITOR, 8UF, 25V	7														C43-C49
4		1302957	RESISTOR, 121Ω, 1/4W, 1%	84														R1-R82, R167, R168,
5		1311422	RESISTOR, 178Ω, 1/4W, 1%	84														R83-R166
6		1300365	RESISTOR, 1K, 1/4W, 5%	4														R169-R172
7		1511686	TRANSISTOR, DEC 5433 FET	4														Q1, Q2, Q3, Q4
8		1210711-02	HEX HANDLE ASSEMBLY	1														
9		9000024-01	EYELET, GS4-7	12														
<small>THIS DRAWING AND SPECIFICATIONS, HEREIN, ARE THE PROPERTY OF DIGITAL EQUIPMENT CORPORATION AND SHALL NOT BE REPRODUCED OR COPIED OR USED IN WHOLE OR IN PART AS THE BASIS FOR THE MANUFACTURE OR SALE OF ITEMS WITHOUT WRITTEN PERMISSION. COPYRIGHT © 1977 DIGITAL EQUIPMENT CORPORATION.</small>				TITLE SBI TERMINATOR				ASSY NO. E-UA-M9040-0-0				SIZE B		CODE PL		NUMBER M9040-0-0		REV. A
				SHEET 1 OF 1				INSERTION PARTS LIST DATA BASE REV										

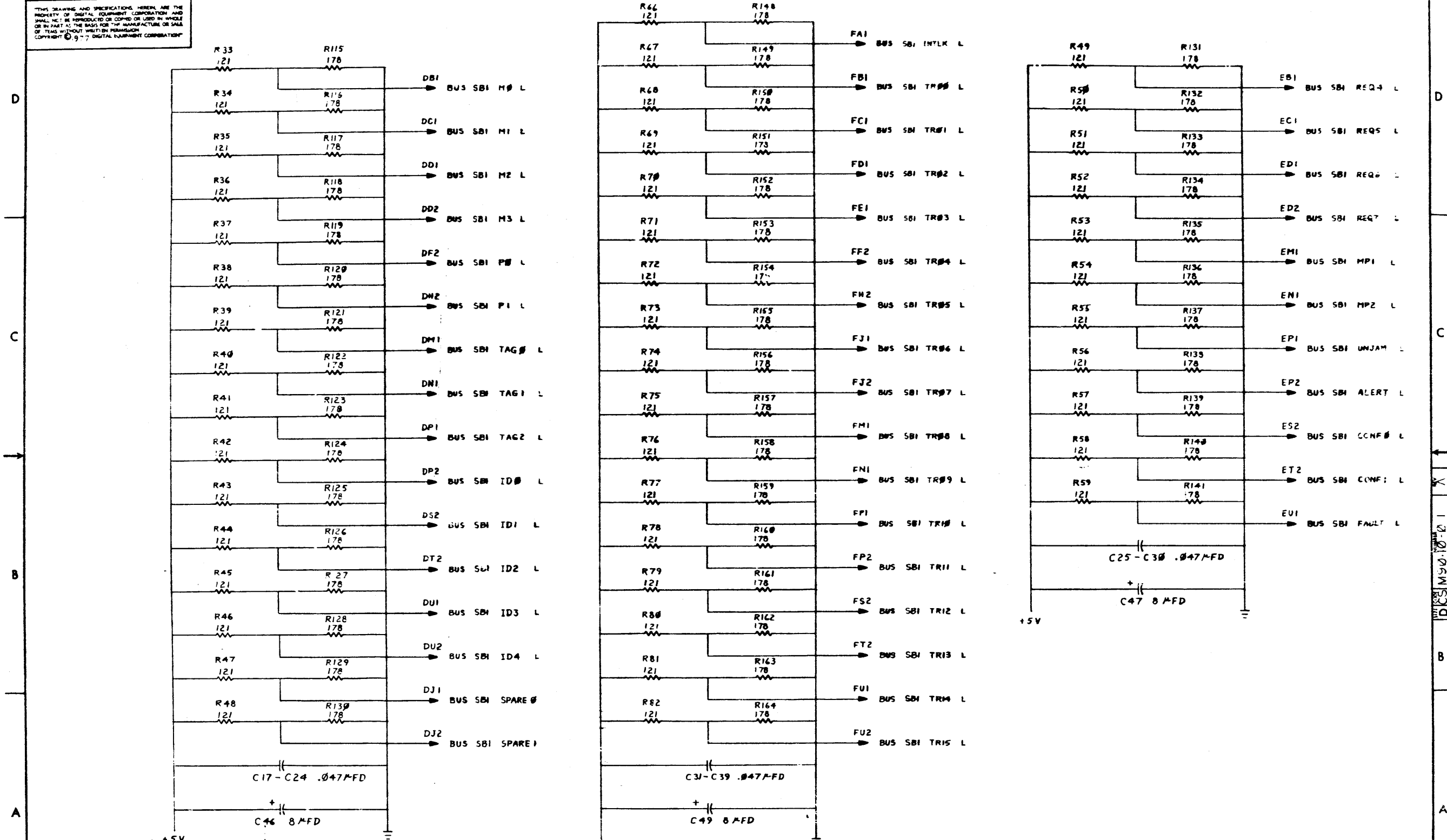
THIS DRAWING AND SPECIFICATIONS HEREIN ARE THE PROPERTY OF BENTON, COPPING CORPORATION AND SHALL NOT BE REPRODUCED OR COPIED OR USED IN WHOLE OR IN PART AS THE BASIS FOR THE MANUFACTURE OF BILLS OF MATERIAL WITHOUT THE WRITTEN PERMISSION OF BENTON, COPPING CORPORATION © 1977

D CS M9040-0-1 2



DRW. 5/27/77	5/27/77	FIRST USED ON	
CHKD. [Signature]	5/27/77	TITLE	SBI TERMINATOR (TRMA)
ENGR. [Signature]	5/27/77	SCALE	D CS M9040-0-1
PROJ. ENGR. [Signature]	5/27/77	SHEET	1 OF 3
PROJ. [Signature]	5/27/77	REV	A
NEXT HIGHER ASSY.			

THIS DRAWING AND SPECIFICATIONS HEREIN ARE THE PROPERTY OF DIGITAL EQUIPMENT CORPORATION AND SHALL NOT BE REPRODUCED OR COPIED OR USED IN WHOLE OR IN PART AS THE BASIS FOR THE MANUFACTURE OR SALE OF ITEMS WITHOUT WRITTEN PERMISSION. COPYRIGHT © 1977 DIGITAL EQUIPMENT CORPORATION

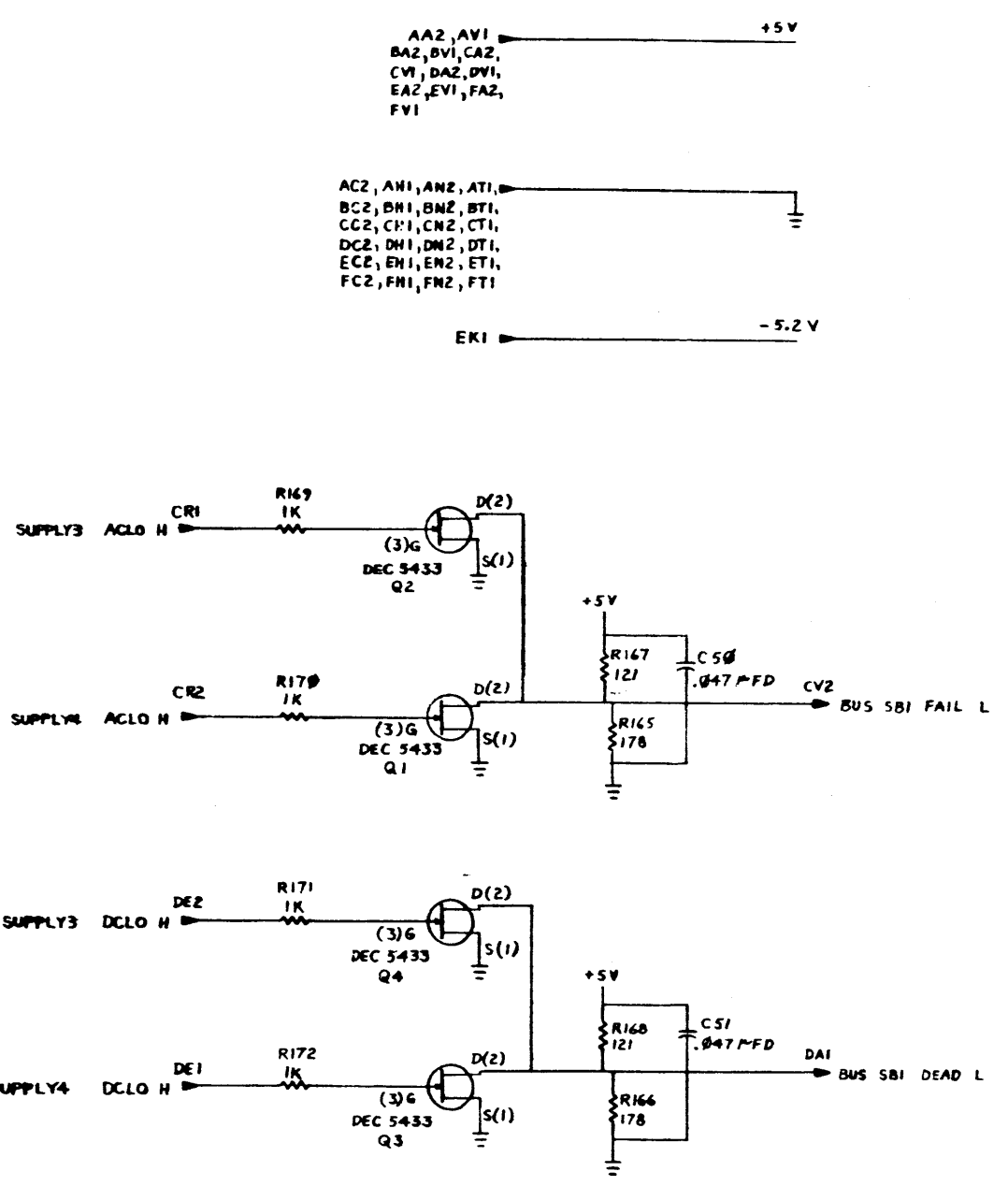
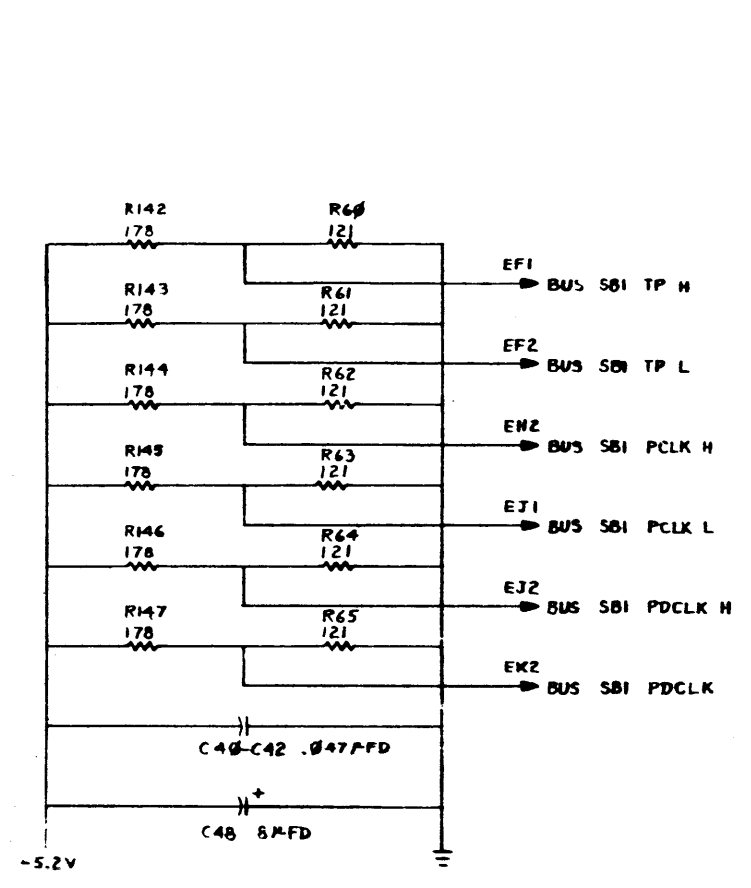


REVISIONS		
CHK	CHANGE NO.	REV.

TITLE	SBI - TERMINATOR (TRMB)	SIZE CODE	DCS M9040-0-1	NUMBER	2	REV.	A
SCALE	SHEET 2 OF 3		DIST.				

THIS DRAWING AND SPECIFICATIONS HEREIN ARE THE PROPERTY OF DIGITAL EQUIPMENT CORPORATION AND SHALL NOT BE REPRODUCED OR COPIED OR USED IN WHOLE OR IN PART AS THE BASIS FOR THE MANUFACTURE OR SALE OF ITEMS WITHOUT WRITTEN PERMISSION. COPYRIGHT © 1977 DIGITAL EQUIPMENT CORPORATION

V 1-0-006MSD 2



AA2, AV1 → +5V
 BA2, BV1, CA2, CV1, DA2, DV1, EA2, EV1, FA2, FV1
 AC2, AH1, AN2, AT1, BC2, BH1, BN2, BT1, CC2, CH1, CN2, CT1, DC2, DH1, DN2, DT1, EC2, EH1, EN2, ET1, FC2, FH1, FN2, FT1
 EK1 → -5.2V

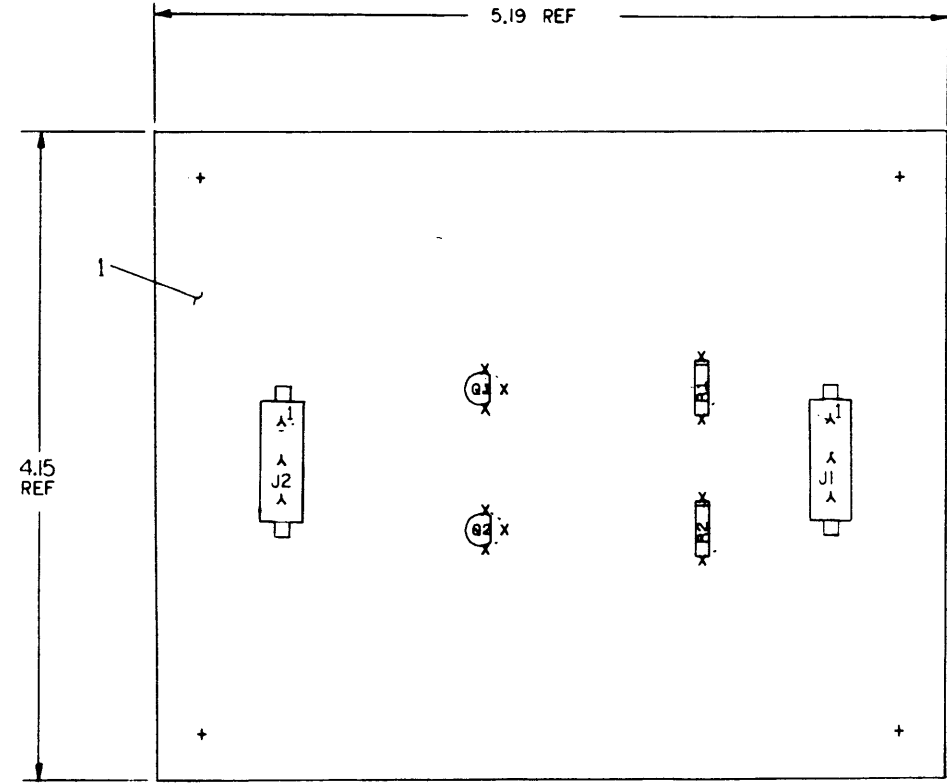
REVISIONS		
CHK	CHANGE NO.	REV.

TITLE SBI TERMINATOR (TRMC) SIZE CODE NUMBER DCS M9040-0-1 REV. 4
 SCALE SHEET 3 OF 3 DIST.

THIS DRAWING AND SPECIFICATIONS, WHETHER MADE BY THE PROPERTY OF AGENCY, CONTRACTOR, SUBCONTRACTOR, OR OTHER PARTY, ARE HEREBY RELEASED TO THE PUBLIC IN FULL. THIS IS THE POLICY OF THE AGENCY AND THE CONTRACTOR. DATE: 10/11/77

D
C
B
A

D
C
B
A



NOTES:

STEP	NO.	DESCRIPTION	TIMES

CHANGE NO.	REV.

ETCH	REV.	

SIGNATURES		DATE	digital
DRN. <i>[Signature]</i>		7-16-79	
CHR. <i>[Signature]</i>		7-20-79	
MECH. ENG. <i>[Signature]</i>		7-26-79	
PROJ. ENG. <i>[Signature]</i>		7-26-79	
PROB. <i>[Signature]</i>		8-11-79	
SCALE	2:1		
SHT.	1 OF 1		
NEXT HIGHER ASSY.		B-DD-5413875-2	

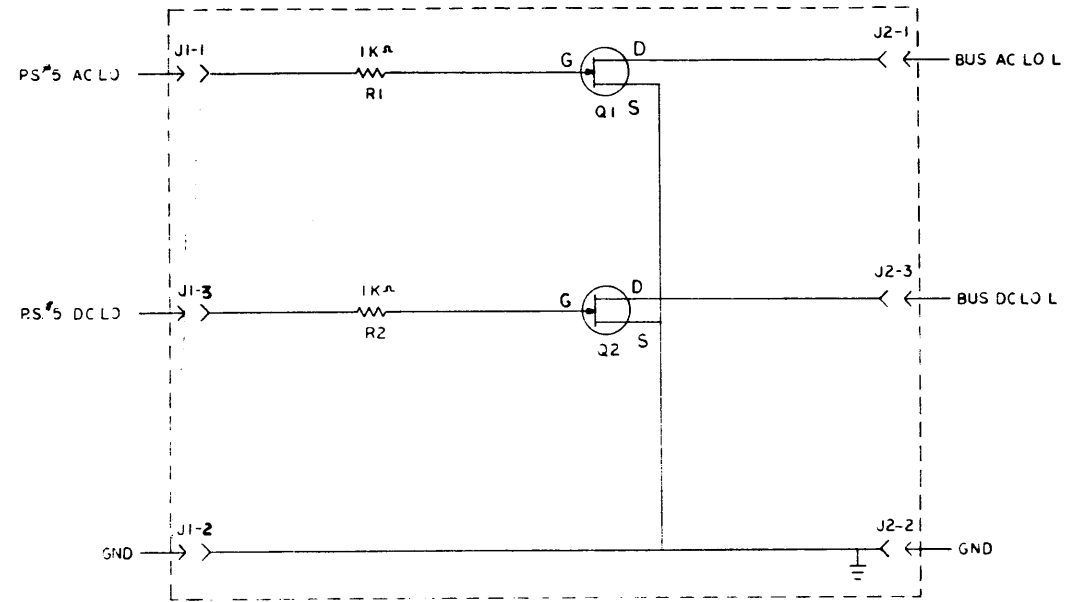
PARTS LIST

LINE ITEM	DOCUMENT NUMBER	PART NUMBER	DESCRIPTION	QTY PER VARIATION 00	REFERENCE DESIGNATOR
1	1	D-MD-5013874-0-0	ETCH BD	1	
2	2	1212297-03	MATE-N-LOK 3POS UNIV HEADER	2	J1,J2
3	3	1300365-00	1.0 K .25 W 5.0 X CC	2	R1,R2
4	4	1511686-00	DECS433 FET N 350MW 10 25 1A	2	Q1,Q2

REVISION HISTORY		BASIC PART NO: 5413875		DRN:	K.FRIEDGEN	DATE:	29-JUN-79	DIGITAL	
ENG	ECD NUMBER	REV	SECTION A OF A	CHK'D:	J.FERGUSON	DATE:	3-25-80	TITLE	PARTS LIST
	INITIAL	*	SECTION VARIATION INDEX	DES.ENG:	P.BATTERSBY <td>DATE:</td> <td>3-25-80 <td>AC/DC LO ADAPTER BOARD <td></td> </td></td>	DATE:	3-25-80 <td>AC/DC LO ADAPTER BOARD <td></td> </td>	AC/DC LO ADAPTER BOARD <td></td>	
			[A] 00	RESP.ENG.:	B.BATTERSBY <td>DATE:</td> <td>3-25-80 <td>DOCUMENT NUMBER</td> <td></td> </td>	DATE:	3-25-80 <td>DOCUMENT NUMBER</td> <td></td>	DOCUMENT NUMBER	
			[B]	MFG.ENG.:	E.BALL <td>DATE:</td> <td>3-25-80 <td>SIZE CODE NUMBER</td> <td>REV</td> </td>	DATE:	3-25-80 <td>SIZE CODE NUMBER</td> <td>REV</td>	SIZE CODE NUMBER	REV
			[C]	ASSEMBLY NUMBER:		TOP DOCUMENT NUMBER:		K PL 5413875-0-DBP	*
			[D]	D-UA-5413875-0-0		9-DD-5413875-0-0		FILE NAME:	EDIT
			[E]					Z1261.FLS	5
			[F]						
			[G]						
			[H]						
			[I]						
			[J]						
			[K]						
			[L]						
			[M]						
			[N]						

THIS DRAWING AND SPECIFICATIONS HEREIN, ARE THE PROPERTY OF DIGITAL EQUIPMENT CORPORATION AND SHALL NOT BE REPRODUCED OR COPIED OR USED IN WHOLE OR IN PART AS THE BASIS FOR THE MANUFACTURE OR SALE OF ITEMS WITHOUT WRITTEN PERMISSION. COPYRIGHT (C) 1980. DIGITAL EQUIPMENT CORPORATION *

THIS DRAWING AND SPECIFICATIONS, HEREIN, ARE THE PROPERTY OF DIGITAL EQUIPMENT CORPORATION AND SHALL NOT BE REPRODUCED OR COPIED OR USED IN WHOLE OR IN PART AS THE BASIS FOR THE MANUFACTURE OR SALE OF ITEMS WITHOUT WRITTEN PERMISSION.
 COPYRIGHT © 1973 DIGITAL EQUIPMENT CORPORATION



REVISIONS	REV.
CHANGE NO.	
CHK	

DRN: <i>[Signature]</i>	DATE: <i>[Date]</i>	FIRST USED ON	<i>[Signature]</i>
CHK'D: <i>[Signature]</i>		TITLE	AC DC LO ADAPTER BOARD
ENG: <i>[Signature]</i>	DATE: <i>[Date]</i>	SIZE	D
PROJ: <i>[Signature]</i>	DATE: <i>[Date]</i>	CODE	CS
PROD: <i>[Signature]</i>	DATE: <i>[Date]</i>	NUMBER	5413875-0-1
NEXT HIGHER ASSY.		REV.	*
B-DD-5413875-0		DIST.	
SCALE: <i>[Scale]</i>			
SHEET 1 OF 1			

8 7 6 5 4 3 2 1

D

C

B

A

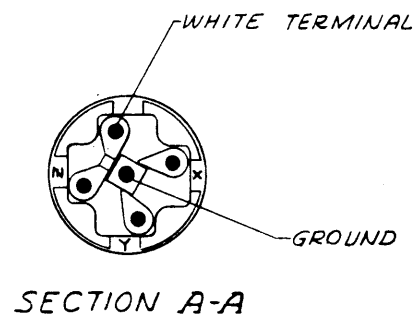
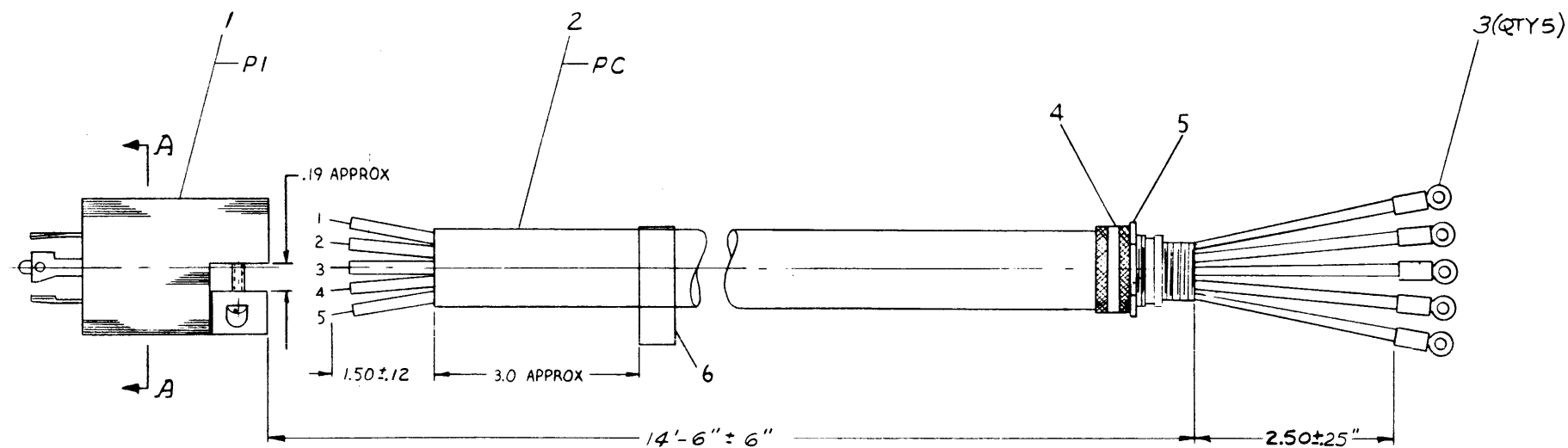
CS 5413875-0-1

CS 5413875-0-1

CS 5413875-0-1

THIS DRAWING AND SPECIFICATIONS HEREAFTER ARE THE PROPERTY OF DIGITAL EQUIPMENT CORPORATION AND SHALL NOT BE REPRODUCED OR COPIED OR USED IN WHOLE OR IN PART AS THE BASIS FOR THE MANUFACTURE OR SALE OF ITEMS WITHOUT WRITING PERMISSION.
 © 1977 DIGITAL EQUIPMENT CORPORATION

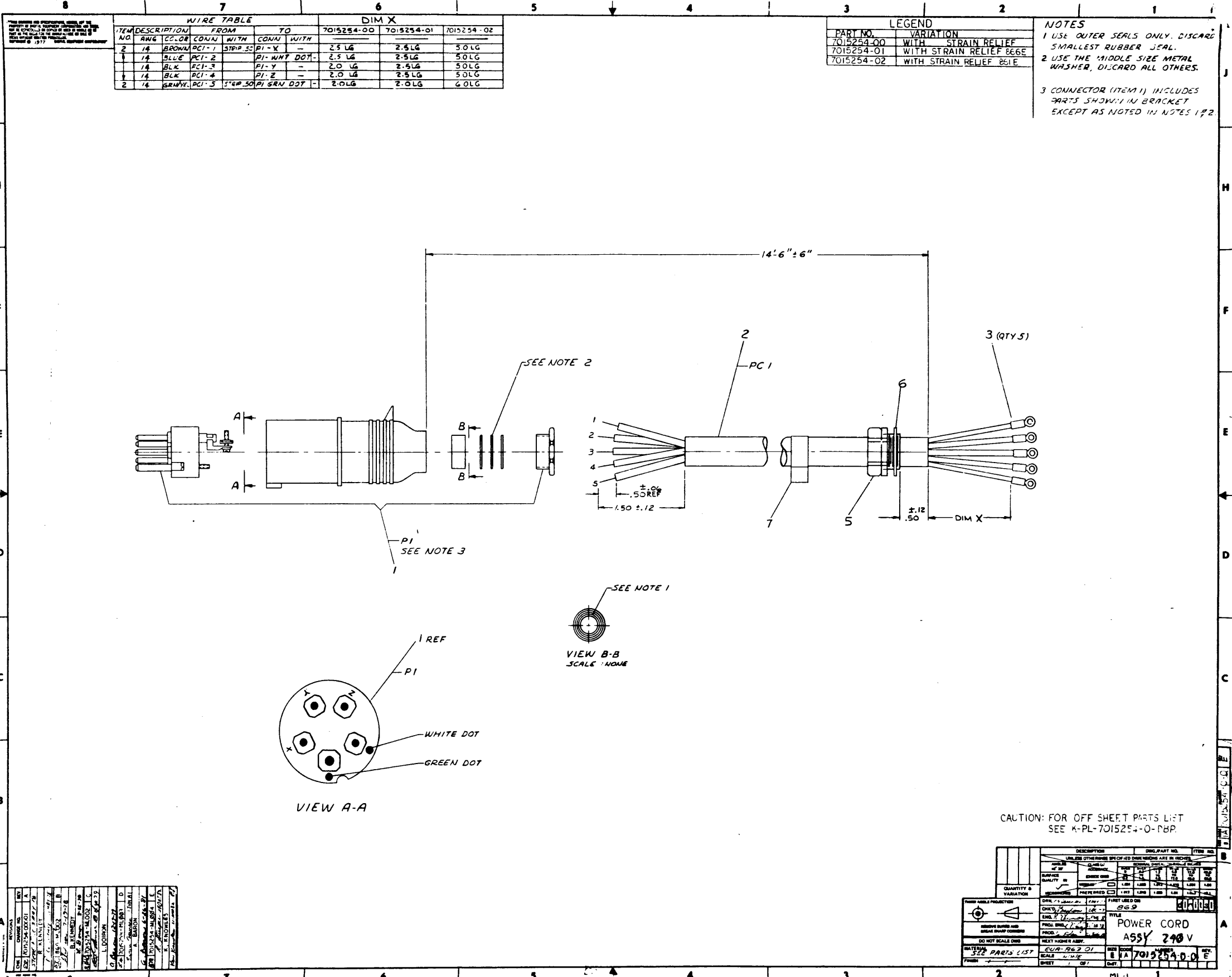
WIRE TABLE						
ITEM NO	DESCRIPTION	FROM	TO			
	AWG	COLOR	CONN	WITH	CONN	WITH
2	10	BRN	PC-1	STRIP .50	PI-X	—
2	10	BLK	PC-2	↑	PI-Y	—
2	10	BLK	PC-3	↓	PI-Z	—
2	10	BLU	PC-4	↓	WHT DOT	—
2	10	GRN/YEL	PC-5	STRIP .50	GROUND	—



CAUTION: FOR OFF SHEET PARTS LIST
 SEE K-PL-7015253-0-DBP

REV	DATE	BY	CHKD
1	7/15/77	ML001	A
2	7/15/77	ML001	A
3	7/15/77	ML001	A
4	7/15/77	ML001	A
5	7/15/77	ML001	A
6	7/15/77	ML001	A
7	7/15/77	ML001	A
8	7/15/77	ML001	A

DESCRIPTION		DWG. PART NO.	ITEM NO.
UNLESS OTHERWISE SPECIFIED DIMENSIONS ARE IN INCHES			
ANGLES 10° 30'	CLASS OF ACCURACY	NOMINAL DIMENSION RANGE INCHES	
SURFACE QUALITY IN MICROINCHES	(CHECK ONE)	OVER 0 TO 0.25	OVER 0.25 TO 0.50
		OVER 0.50 TO 1.25	OVER 1.25 TO 2.50
QUANTITY & VARIATION	PREFERRED	1.004	1.008
		1.012	1.016
		1.020	1.024
		1.028	1.032
		1.036	1.040
THIRD ANGLE PROJECTION	DRN	7/15/77	FIRST USED ON
REMOVE BURRS AND BREAK SHARP CORNERS	CHKD	7/15/77	369
DO NOT SCALE DWG	ENGR	7/15/77	TITLE
	PROJ. ENGR	7/15/77	POWER CORD
	PROD. ENGR	7/15/77	ASSY 120V
MATERIAL SEE PARTS LIST	E-UR-11780-0-0	SIZE	NUMBER
FINISH	SCALE NONE	D	7015253-0-0
	SHEET 1 OF 1	DIST.	REV. B



ITEM NO.	DESCRIPTION	FROM		TO		DIM X		
		WIRE	CONN	WIRE	CONN	7015254-00	7015254-01	7015254-02
2	14 BROWN PCI-1	STRIP SC	PI-Y	-	-	2.5 LG	2.5 LG	5.0 LG
1	14 BLUE PCI-2	-	PI-WHT DOT	-	-	2.5 LG	2.5 LG	5.0 LG
1	14 BLK PCI-3	-	PI-Y	-	-	2.0 LG	2.5 LG	5.0 LG
1	14 BLK PCI-4	-	PI-Z	-	-	2.0 LG	2.5 LG	5.0 LG
2	14 GRN/YE PCI-5	STRIP SC	PI GRN DOT	-	-	2.0 LG	2.0 LG	4.0 LG

PART NO.	VARIATION
7015254-00	WITH STRAIN RELIEF
7015254-01	WITH STRAIN RELIEF 666E
7015254-02	WITH STRAIN RELIEF 661E

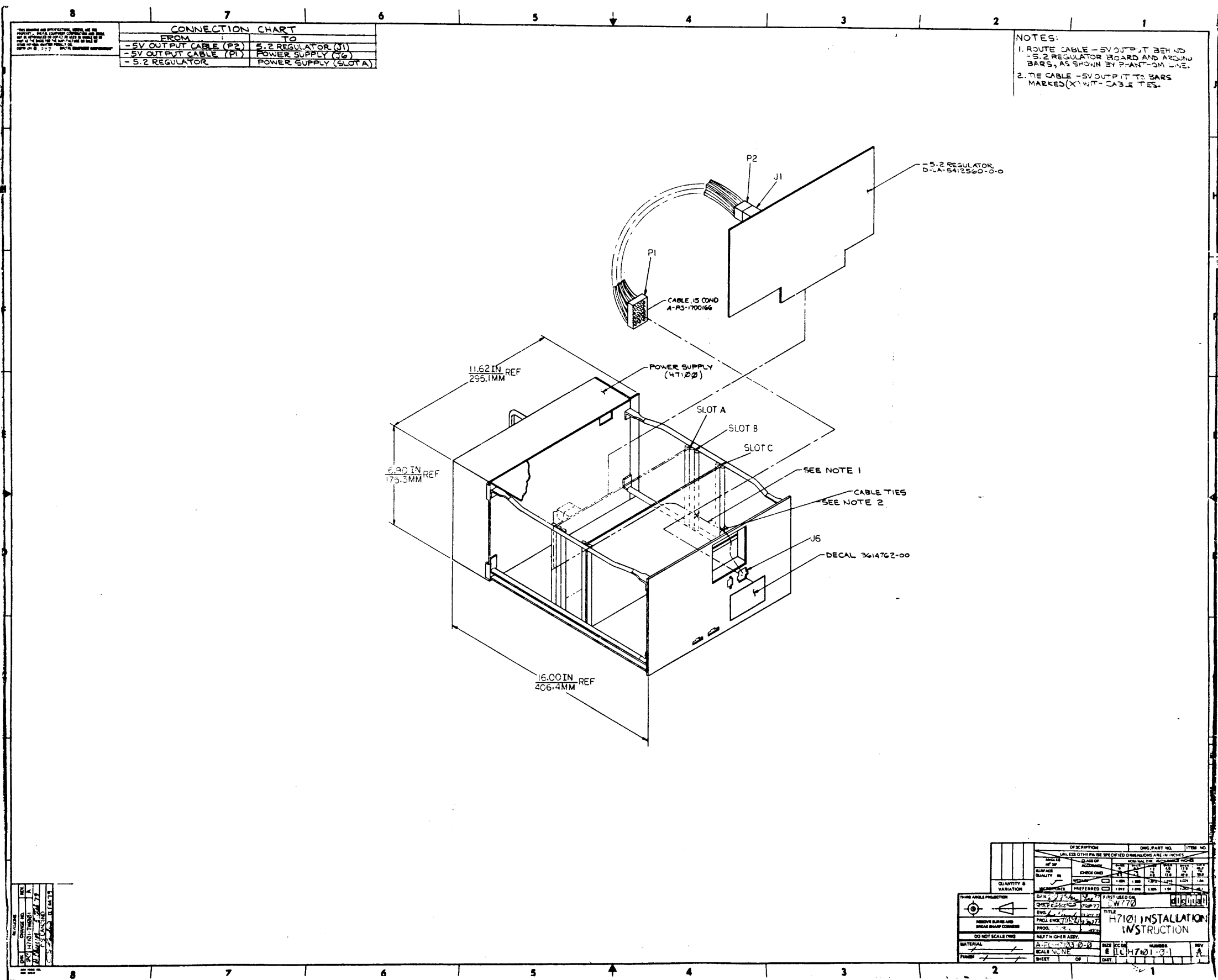
NOTES

- USE OUTER SEALS ONLY. DISCARD SMALLEST RUBBER SEAL.
- USE THE MIDDLE SIZE METAL WASHER, DISCARD ALL OTHERS.
- CONNECTOR (ITEM 1) INCLUDES PARTS SHOWN IN BRACKET EXCEPT AS NOTED IN NOTES 1 & 2.

REV	DATE	BY	CHKD	DESCRIPTION
1	10/27/54	W. J.
2	11/11/54
3	11/11/54
4	11/11/54
5	11/11/54
6	11/11/54
7	11/11/54
8	11/11/54

CAUTION: FOR OFF SHEET PARTS LIST SEE X-PL-7015254-0-D-BP

PART NO. 7015254-00 TITLE POWER CORD ASSY 240 V SCALE 1:1 SHEET 1 OF 1	PART USED ON 969 DATE 11/11/54 PROJ. ENGR. ... DRAWN BY ... CHECKED BY ... APPROVED BY ...
--	---



REV	DATE	BY	CHKD
1	11/10/70	W 770	W 770
2	11/10/70	W 770	W 770
3	11/10/70	W 770	W 770

QTY	DESCRIPTION	QTY	DESCRIPTION	QTY	DESCRIPTION
1	POWER SUPPLY (HT120)	1	5.2 REGULATOR (J1)	1	5V OUTPUT CABLE (P2)
1	5V OUTPUT CABLE (P1)	1	5.2 REGULATOR	1	5V OUTPUT CABLE (P1)
1	5.2 REGULATOR	1	5V OUTPUT CABLE (P2)	1	5.2 REGULATOR

DATE	11/10/70	BY	W 770	CHKD	W 770
TITLE	H7101 INSTALLATION INSTRUCTION				
MATERIAL	A-PS-1700166	SCALE	1:1	REV	A
FINISH		SHEET	2	OF	1

DIGITAL EQUIPMENT CORPORATION PARTS LIST				QUANTITY / VARIATION										NOTES:				
MADE BY W. J. MAHER DATE 9 AUGUST 77		CHECKED S. ROBERTS DATE 13 SEPT 77																
ENG D. SHEEHAN DATE 13 SEPT 77		PROD E. BLAIR DATE 13 SEPT 77																
SECTION 1												ISSUED SECTION 1						
ITEM NO.	DRAWING NO.	PART NO.	DESCRIPTION	H7103-00														REF DESIGNATION
1	E-IC-H7103-0-1		H7102 & H7103 INSTALLATION INSTR.	REF														
2	D-IA-5413414-0-0		5VB BATTERY REGULATOR	1														
3	D-IA-7014548-0-0		HARNESS, BATTERY OPTION	1														
4		1700021-04	ELECTROMAGNETIC SHIELD	2														
5		9007031-0-0	TIE, CABLE	2														

E.C.O. NO. **H7103-7W1**
 REVISED
 REVISION

THIS DRAWING AND SPECIFICATIONS, HEREIN, ARE THE PROPERTY OF DIGITAL EQUIPMENT CORPORATION AND SHALL NOT BE REPRODUCED OR COPIED OR USED IN WHOLE OR IN PART AS THE BASIS FOR THE MANUFACTURE OR SALE OF ITEMS WITHOUT WRITTEN PERMISSION. COPYRIGHT © 1977 DIGITAL EQUIPMENT CORPORATION

TITLE
H7103 POWER REGULATOR

ASSY NO.

SHEET **1** OF **1**

SIZE **B** CODE **PL** NUMBER **H7103-0-0**

INSERTION PARTS LIST DATA BASE REV

REV. **A**

TW

