

**ILLUSTRATED
PARTS
BREAKDOWN**

**VXT 2000
MODEL VX225 TERMINAL**

ILLUSTRATED PARTS BREAKDOWN (IPB)

The IPB is used to identify a part and its location in a hardware product. The document references specific item numbers in the associated parts list.

HOW TO USE THE IPB

1. Locate the figure containing the item of interest.
2. Locate the number (callout) of the item of interest.
3. Locate that item number in the associated parts list.

FORMAT

Each IPB is generally organized based on its first figure. All other assemblies and subassemblies are referenced from this figure. Each figure contains numeric callouts of all major parts (items).

PARTS LIST

Each parts list contains the following:

Figure and Item No. – Lists the figure number and its referenced numeric callout

Description – Presents the name and a brief description of the item. A single asterisk (*) preceding the description

denotes item is a subassembly to its referenced figure. A double asterisk (***) preceding the description indicates that this item is subordinate to the preceding single asterisk item.

DEC Part No. – Lists the Digital/Vendor part number. The letter in the column heading indicates the current revision level of the Engineering Drawing for the referenced figure.

ECO Cut-In – Lists the top assembly drawing number and revision level at first printing. All additional revisions to an item are listed in this column.

Used On Code – Lists letters referring to the product variation assigned in Figure 1. When this column is blank, the item is used in all variations.

Ref Fig No. – Lists a cross reference between figures within the IPB.

PART NUMBER/PART DESCRIPTION INDEX SECTION

Lists items by part number numerically, and description alphabetically. Items are also referenced to a location within the IPB by figure and item number.

ECO/REVISION HISTORY

**OTHER IPB
MANUALS
REFERENCED**

FIGURE NO.	ASSEMBLY	INITIAL LEVEL	CURRENT LEVEL	PRINTING DATE	OTHER IPB MANUALS REFERENCED
1	VX15A	00000	00000	24-JUN-92	N/A
2	70-27477	00002	00002		
3	70-27478	00001	00001		
4	70-27070	00001	00001		
5	70-29102	00000	00000		

Digital Equipment Corporation reserves the right, without notice, to make substitutions and modifications in the specifications of products documented in this manual and further reserves the right to withdraw any of these products from the market without notice.

Digital Equipment Corporation is not responsible for errors which may appear in the technical description (including illustrations and photographs) of the products covered by this manual.

None of the descriptions contained in this manual imply the granting of any license whatsoever to make, use or sell equipment constructed in accordance therewith.

Restricted Rights: Use, duplication or disclosure by the U.S. Government is subject to restrictions as set forth in subparagraph (c) (1) (ii) of the Rights in Technical Data and Computer Software clause at DFARS 252.227-2713.

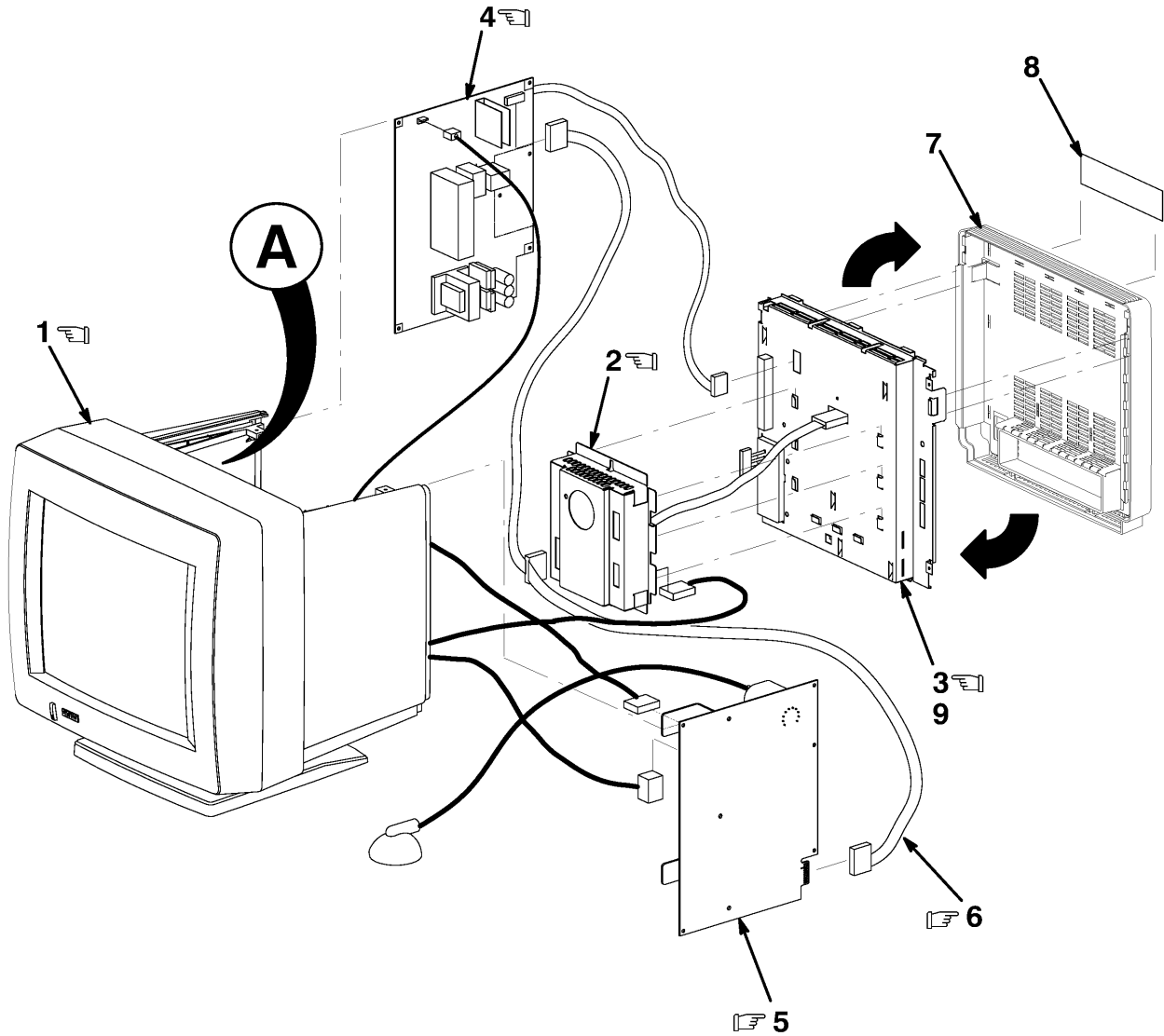
Copyright © 1992 by Digital Equipment Corporation. All rights reserved.
Printed in U.S.A.

The postage-paid READER'S COMMENTS form on the last page of this document requests your critical evaluation to assist us in preparing future documentation.

The following are trademarks of Digital Equipment Corporation :

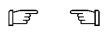
DECdirect, and the DIGITAL logo.

 INDICATES FRU LEVEL PARTS.



VXT15-01-IL

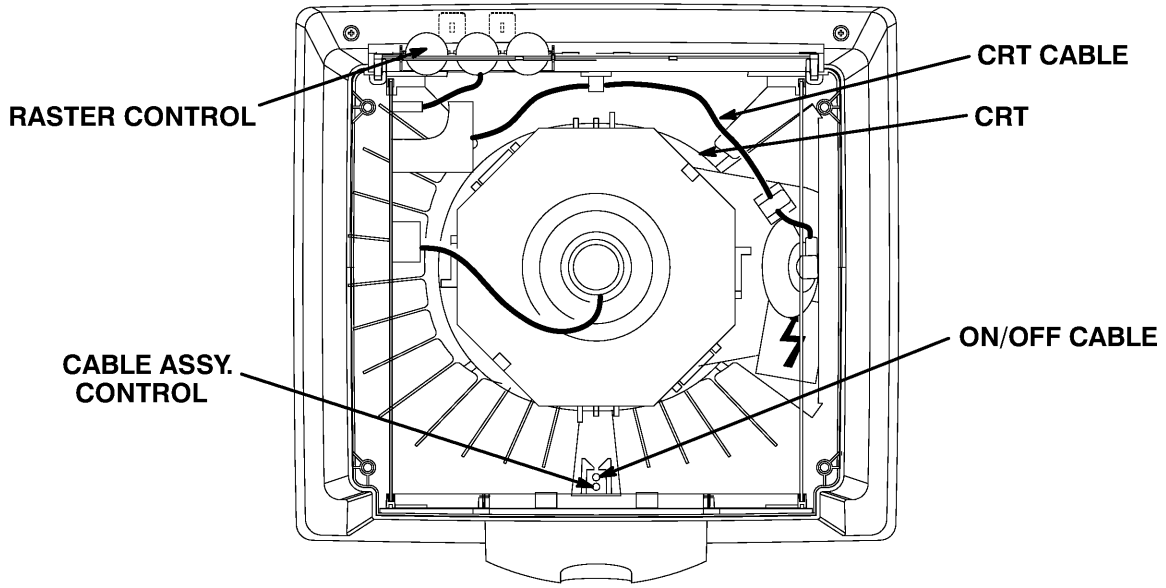
Figure 1. Unit Assembly, VX15A Terminal (Sheet 1 of 2)



INDICATES FRU LEVEL PARTS.



PARTS LIST



CABLE DIAGRAM

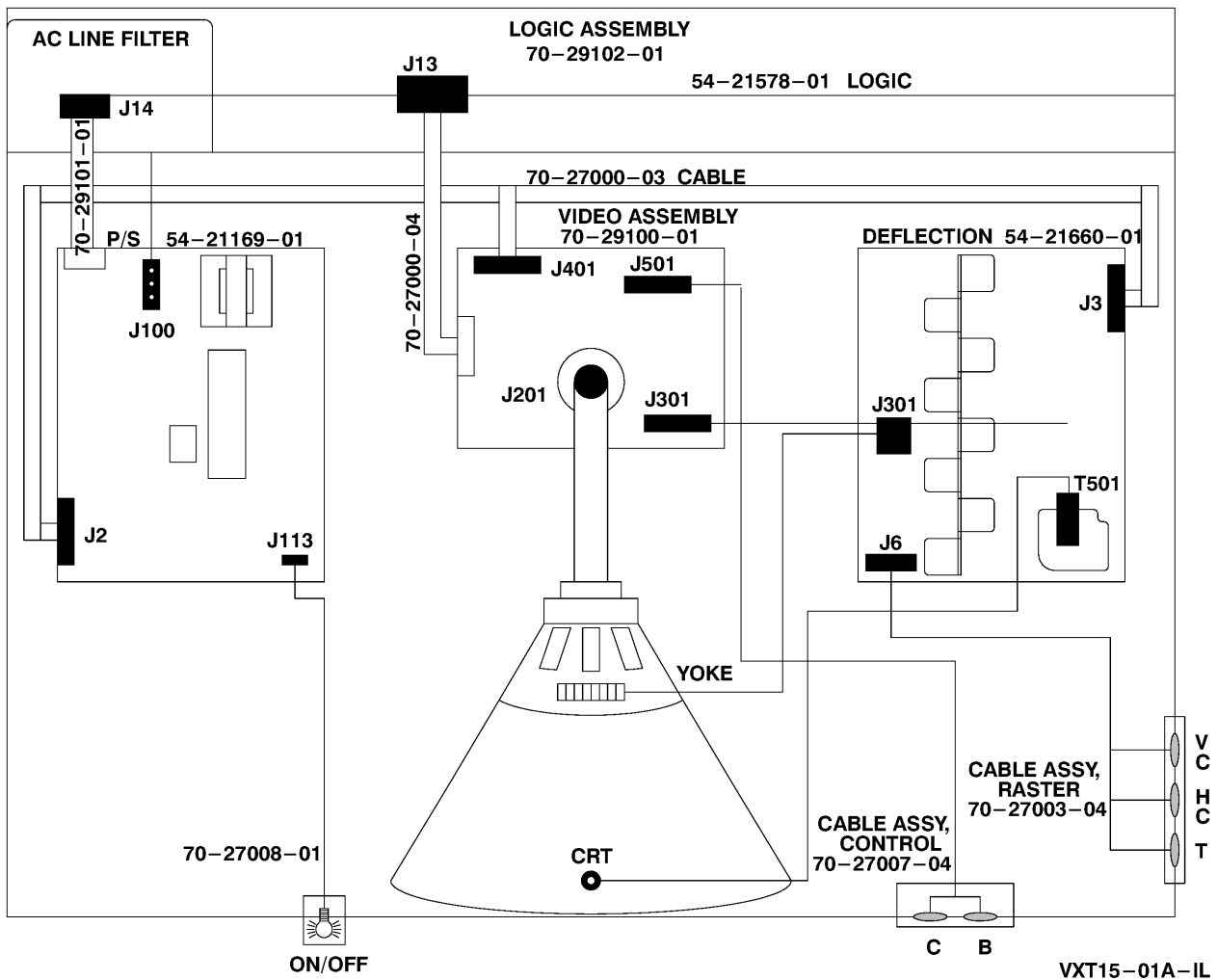


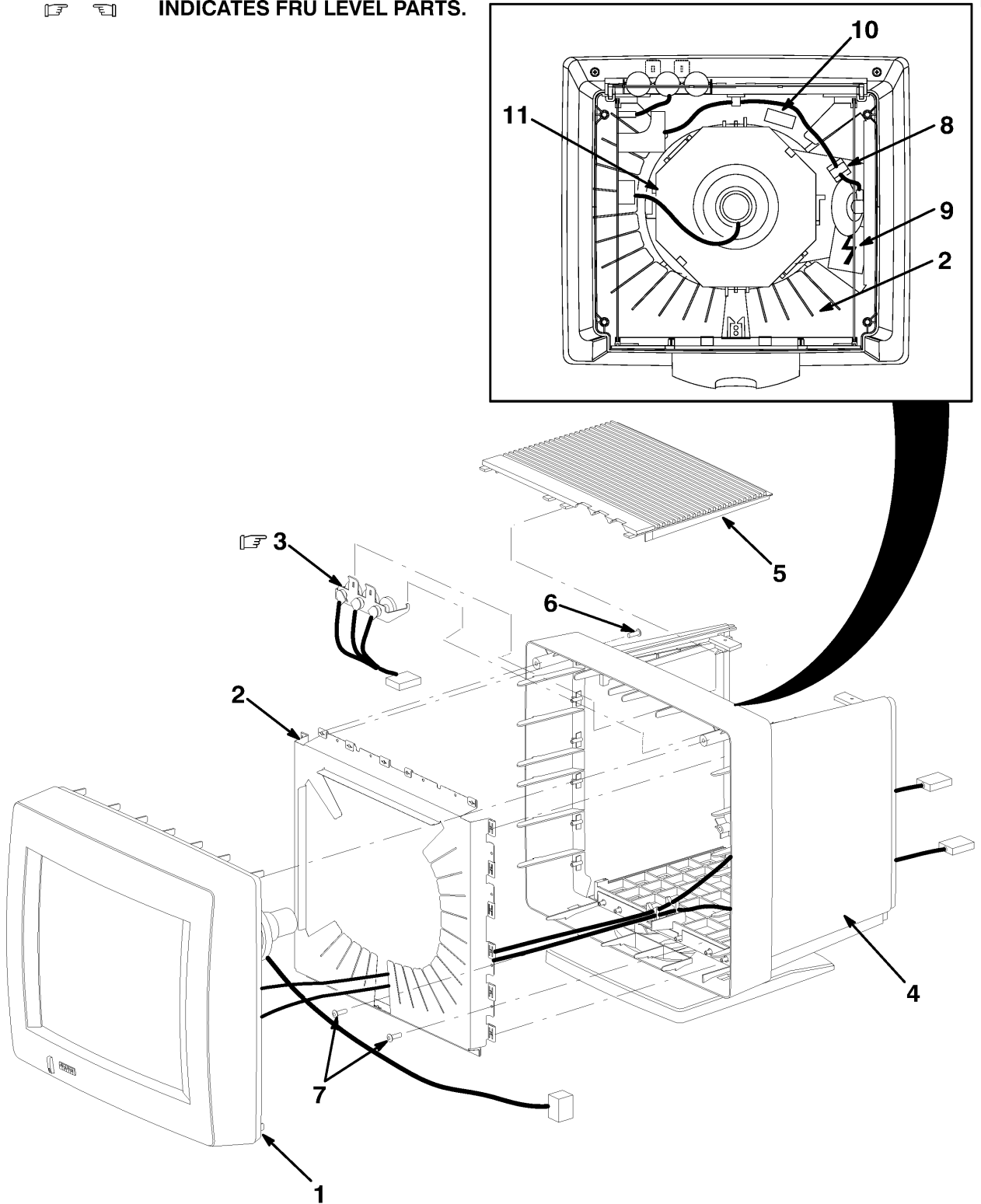
Figure 1. Unit Assembly, VX15A Terminal (Sheet 2 of 2)

FIG. & ITEM NO.	DESCRIPTION	AX03 DEC PART NO.	ECO CUT-IN VX15A 00000	USED ON CODE	REF FIG NO.
1-	UNIT ASSEMBLY, VX15A TERMINAL				
	Code A - Model VX15A-A9 (Northern Hemisphere)	VX15A-A9		A9	
	Code B - Model VX15A-A4 (Southern Hemisphere)	VX15A-A4		A4	
☞ 1	*CHASSIS ASSEMBLY, CRT (Northern Hemisphere)	70-27477-04		A9	2
☞	*CHASSIS ASSEMBLY, CRT (Southern Hemisphere)	70-27477-05		A4	2
☞ 2	*Video Assembly	70-29100-01			
☞ 3	*LOGIC ASSEMBLY	70-29102-01			5
☞ 4	*Module, Power Supply	54-21169-01			
☞ 5	*Module, VR325 Deflection	54-21660-01			
☞ 6	*Cable Assembly, Interconnect	70-27000-03			
7	*Cover Assembly, Rear	70-29098-01			
8	*Label, Regulatory	36-38593-01			
9	*Pin, Cover	74-45234-01			
	ITEMS (Not Shown)				
	*Package Assembly	37-01228-01			
	*Pad, Mouse	12-36561-01			

THIS PAGE INTENTIONALLY LEFT BLANK




PARTS LIST

  INDICATES FRU LEVEL PARTS.

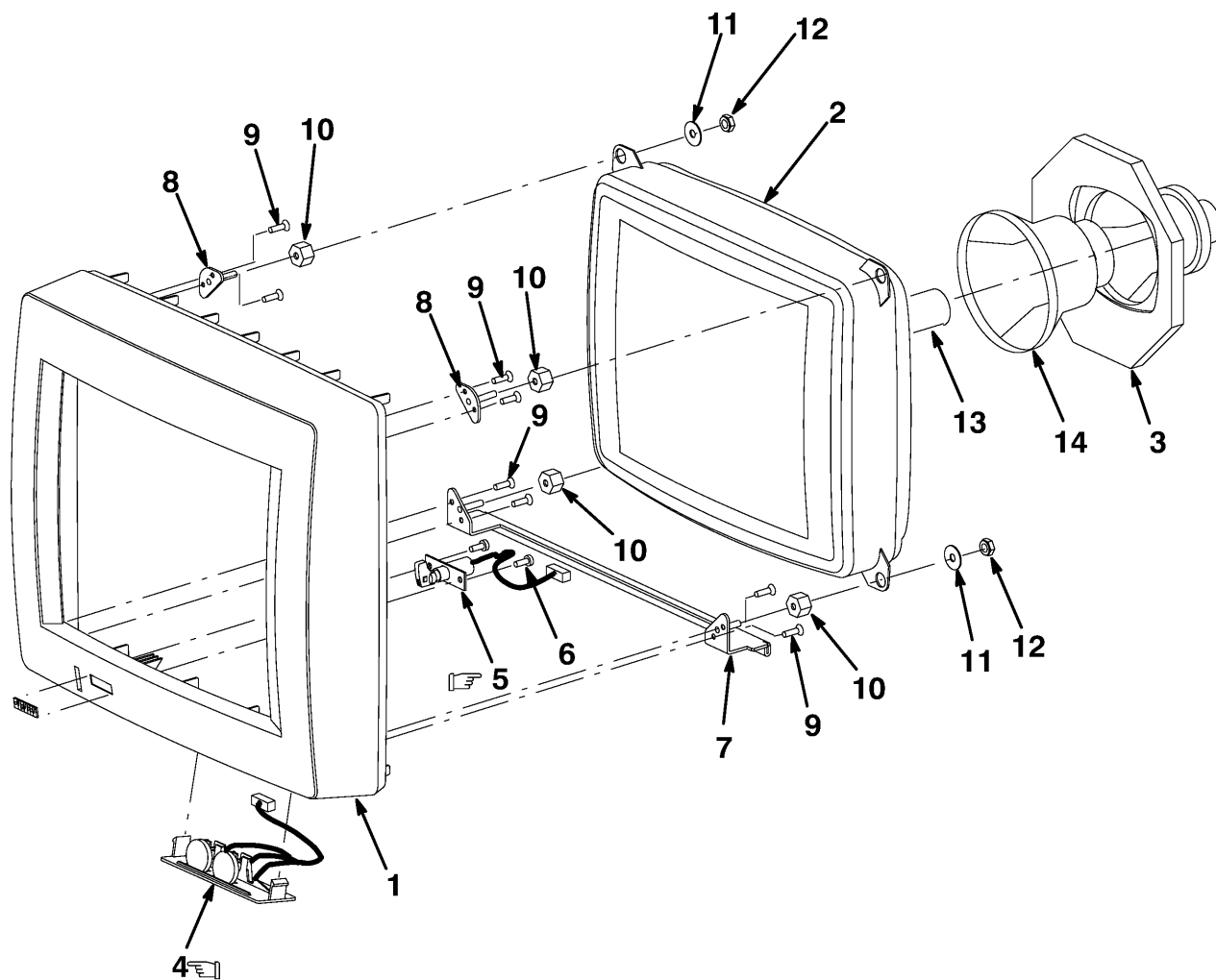


VXT15-02-IL

Figure 2. Chassis Assembly, CRT

FIG. & ITEM NO.	DESCRIPTION	CX03 DEC PART NO.	ECO CUT-IN 70-27477 00002	USED ON CODE	REF FIG NO.
2- 	CHASSIS ASSEMBLY, CRT (Northern Hemisphere)	70-27477-04		A9	1
	CHASSIS ASSEMBLY, CRT (Southern Hemisphere)	70-27477-05		A4	1
1	*BEZEL ASSEMBLY, VR315 FRONT	70-27478-04			3
2	*Shield, Aquadag	74-39802-01			
 3	*Cable Assembly, Horizontal/Vertical/Rotation Raster Control	70-27003-04			
4	*ENCLOSURE ASSEMBLY	70-27070-02			4
5	*Cover Assembly, Top	70-27075-01			
6	*Screw, Machine Pan Hd No. 8-32 x 1/2	90-06039-01			
7	*Rivet, Blind Aluminum	90-00030-50			
8	*Clip, Adhesive Backed Wire Routing	12-21249-06			
9	*Label, "Danger High Voltage"	36-10267-05			
10	*Label, DHHS X-Ray Emission	36-34850-01			
11	*Magnet, Ring	12-30627-01			
	*Magnet, Ring	12-30627-02			
	*Magnet, Ring	12-30627-06			

  INDICATES FRU LEVEL PARTS.

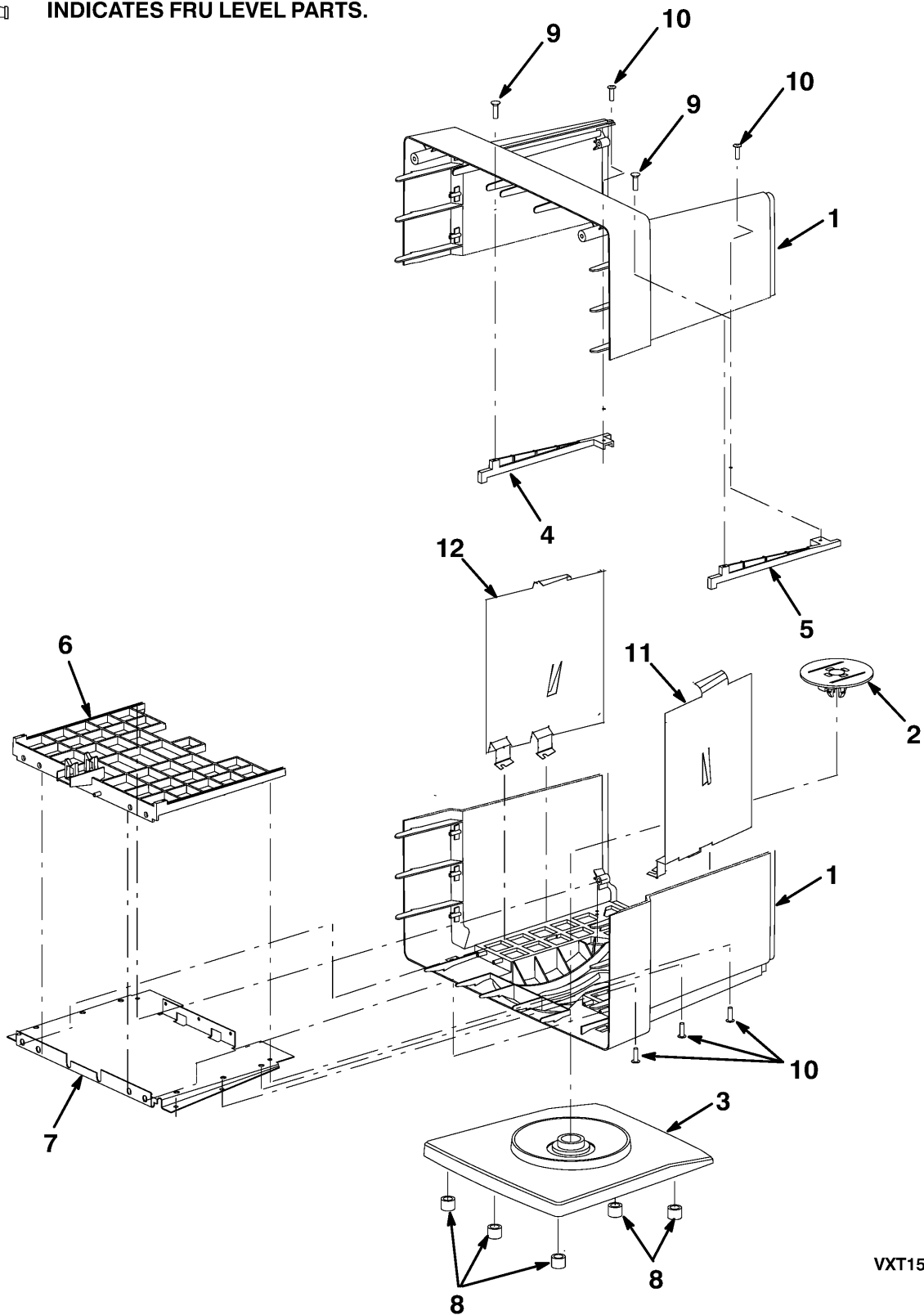


VXT15-03-IL

Figure 3. Bezel Assembly, VR315 Front

FIG. & ITEM NO.	DESCRIPTION	DEC PART NO. ^B	ECO CUT-IN 70-27478 00001	USED ON CODE	REF FIG NO.
3-	BEZEL ASSEMBLY, VR315 FRONT	70-27478-04			2
1	*Bezel, CRT	74-42266-04			
2	*CRT, 15 Inch Flat, High Resolution	12-32037-03			
3	*Yoke, Low Emission	12-32774-02			
☞ 4	*Cable Assembly, Brightness/Contrast Control	70-27007-04			
☞ 5	*Cable Assembly, On/Off Switch	70-27008-01			
6	*Screw, Self-Tap Phl Pan Hd No. 6-19 x 3/8	90-09800-06			
7	*Bracket, Bezel Stiffener	74-41237-01			
8	*Plate, CRT Mounting	74-41206-01			
9	*Screw, Self-Tap Flat Hd No. 6-19 x 1/2	90-10158-01			
10	*Spacer, CRT	74-42033-01			
11	*Washer, Flat	90-06668-01			
12	*Nut, Kep No. 10-32 x 3/8	90-06565-00			
13	*Tape, Fiberglass Adhesive	36-15670-01			
14	*Insulator	74-45764-01			

INDICATES FRU LEVEL PARTS.

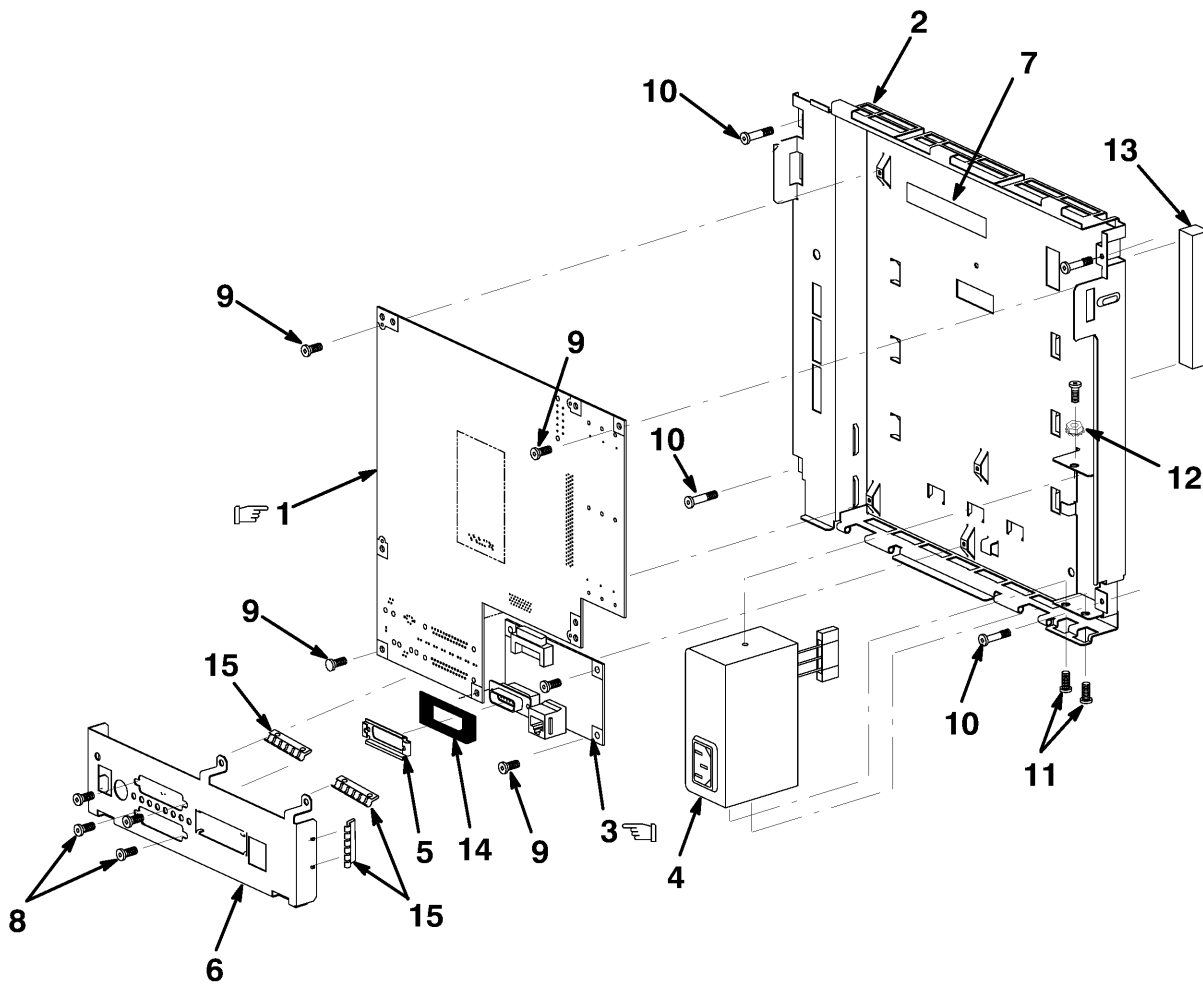


VXT15-04-IL

Figure 4. Enclosure Assembly



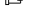
FIG. & ITEM NO.	DESCRIPTION	DEC PART NO. ^B	ECO CUT-IN 70-27070 00001	USED ON CODE	REF FIG NO.
4-	ENCLOSURE ASSEMBLY	70-27070-02			2
1	*Enclosure, Rear (See Note)	74-39785-02			
2	*Retainer	74-39791-01			
3	*Base	74-39790-01			
4	*Guide, Upper Card	74-39792-01			
5	*Guide, Top Card, (R.H.)	74-39792-02			
6	*Guide, Lower Card	74-39793-01			
7	*Shield, Bottom	74-39800-02			
8	*Bumper	12-26968-01			
9	*Screw, Self-Tap Flat Hd No. 6-19 x 1/2	90-10158-01			
10	*Rivet, Blind Aluminum	90-00030-50			
11	*Panel, Right Shield	74-44631-01			
12	*Panel, Left Shield	74-44631-02			
	<p data-bbox="289 783 829 846">NOTE: For Clarity, Item 1 Is Shown As Two Pieces, But Is Really One Piece.</p>				

  INDICATES FRU LEVEL PARTS.



VXT15-05-IL

Figure 5. Logic Assembly

FIG. & ITEM NO.	DESCRIPTION	DEC PART NO. ^A	ECO CUT-IN 70-29102 00000	USED ON CODE	REF FIG NO.
5- 	LOGIC ASSEMBLY	70-29102-01			1
 1	*Module, DWT 15 Inch PC	54-21578-01			
2	*Shield, Safety	74-44078-01			
 3	*Module, Thickwire/Twisted Pair NI	54-20482-02			
4	*Filter, EMI, 1 PH, 120/240V, 3.5/2A, 30 MH	12-31735-02			
5	*Latch Assembly, Slide	12-18489-01			
6	*Bulkhead	74-44077-01			
7	*Label, SIMM Installation	36-38594-01			
8	*Screw, Lock No. 4-40 x 5/16	90-08451-12			
9	*Screw, Sems Pan Hd No. 6-32 x 5/16	90-09984-07			
10	*Screw, Captive Pan Hd No. 6-32 x 9/16	12-30940-01			
11	*Screw, Machine Pan Hd No. 8-32 x 3/8	90-06037-01			
12	*Nut, Kep No. 10-32 x 3/8	90-06565-00			
13	*Foam, Rear Cover	74-40667-02			
14	*Gasket, Network	74-45233-01			
15	*Clip, Fingerstock	12-22380-02			

Ω

PART NUMBER/DESCRIPTION INDEX

INDEX BY DEC PART NUMBER

VXT 2000 Model VX225 Terminal

PART NO.	DESCRIPTION	FIG NO.	ITEM NO.
12-18489-01	Latch Assembly, Slide	5	5
12-21249-06	Clip, Adhesive Backed Wire Routing	2	8
12-22380-02	Clip, Fingerstock	5	15
12-26968-01	Bumper	4	8
12-30627-01	Magnet, Ring	2	11
12-30627-02	Magnet, Ring	2	11
12-30627-06	Magnet, Ring	2	11
12-30940-01	Screw, Captive Pan Hd No. 6-32 x 9/16	5	10
12-31735-02	Filter, EMI, 1 PH, 120/240V, 3.5/2A, 30 MH	5	4
12-32037-03	CRT, 15 Inch Flat, High Resolution	3	2
12-32774-02	Yoke, Low Emission	3	3
12-36561-01	Pad, Mouse	1	Not Shown
36-10267-05	Label, "Danger High Voltage"	2	9
36-15670-01	Tape, Fiberglass Adhesive	3	13
36-34850-01	Label, DHHS X-Ray Emission	2	10
36-38593-01	Label, Regulatory	1	8
36-38594-01	Label, SIMM Installation	5	7
37-01228-01	Package Assembly	1	Not Shown
54-20482-02	Module, Thickwire/Twisted Pair NI	5	3
54-21169-01	Module, Power Supply	1	4
54-21578-01	Module, DWT 15 Inch PC	5	1
54-21660-01	Module, VR325 Deflection	1	5
70-27000-03	Cable Assembly, Interconnect	1	6
70-27003-04	Cable Assembly, Horizontal/Vertical/Rotation Raster Control	2	3
70-27007-04	Cable Assembly, Brightness/Contrast Control	3	4
70-27008-01	Cable Assembly, On/Off Switch	3	5
70-27070-02	ENCLOSURE ASSEMBLY	2	4
70-27070-02	ENCLOSURE ASSEMBLY	4	N/A
70-27075-01	Cover Assembly, Top	2	5
70-27477-04	CHASSIS ASSEMBLY, CRT (Northern Hemisphere)	1	1
70-27477-04	CHASSIS ASSEMBLY, CRT (Northern Hemisphere)	2	N/A
70-27477-05	CHASSIS ASSEMBLY, CRT (Southern Hemisphere)	1	1
70-27477-05	CHASSIS ASSEMBLY, CRT (Southern Hemisphere)	2	N/A
70-27478-04	BEZEL ASSEMBLY, VR315 FRONT	2	1
70-27478-04	BEZEL ASSEMBLY, VR315 FRONT	3	N/A
70-29098-01	Cover Assembly, Rear	1	7
70-29100-01	Video Assembly	1	2
70-29102-01	LOGIC ASSEMBLY	1	3
70-29102-01	LOGIC ASSEMBLY	5	N/A
74-39785-02	Enclosure, Rear	4	1
74-39790-01	Base	4	3
74-39791-01	Retainer	4	2
74-39792-01	Guide, Upper Card	4	4
74-39792-02	Guide, Top Card, (R.H.)	4	5
74-39793-01	Guide, Lower Card	4	6
74-39800-02	Shield, Bottom	4	7
74-39802-01	Shield, Aquadag	2	2
74-40667-02	Foam, Rear Cover	5	13
74-41206-01	Plate, CRT Mounting	3	8
74-41237-01	Bracket, Bezel Stiffener	3	7
74-42033-01	Spacer, CRT	3	10

INDEX BY DEC PART NUMBER

VXT 2000 Model VX225 Terminal

PART NO.	DESCRIPTION	FIG NO.	ITEM NO.
74-42266-04	Bezel, CRT	3	1
74-44077-01	Bulkhead	5	6
74-44078-01	Shield, Safety	5	2
74-44631-01	Panel, Right Shield	4	11
74-44631-02	Panel, Left Shield	4	12
74-45233-01	Gasket, Network	5	14
74-45234-01	Pin, Cover	1	9
74-45764-01	Insulator	3	14
90-00030-50	Rivet, Blind Aluminum	2	7
90-00030-50	Rivet, Blind Aluminum	4	10
90-06037-01	Screw, Machine Pan Hd No. 8-32 x 3/8	5	11
90-06039-01	Screw, Machine Pan Hd No. 8-32 x 1/2	2	6
90-06565-00	Nut, Kep No. 10-32 x 3/8	3	12
90-06565-00	Nut, Kep No. 10-32 x 3/8	5	12
90-06668-01	Washer, Flat	3	11
90-08451-12	Screw, Lock No. 4-40 x 5/16	5	8
90-09800-06	Screw, Self-Tap Phl Pan Hd No. 6-19 x 3/8	3	6
90-09984-07	Screw, Sems Pan Hd No. 6-32 x 5/16	5	9
90-10158-01	Screw, Self-Tap Flat Hd No. 6-19 x 1/2	3	9
90-10158-01	Screw, Self-Tap Flat Hd No. 6-19 x 1/2	4	9
VX15A-A4	Model VX15A-A4 (Southern Hemisphere)	1	N/A
VX15A-A9	Model VX15A-A9 (Northern Hemisphere)	1	N/A

INDEX BY DEC PART DESCRIPTION

VXT 2000 Model VX225 Terminal

DESCRIPTION	DEC PART NO.	FIG. NO.	ITEM NO.
Base	74-39790-01	4	3
BEZEL ASSEMBLY, VR315 FRONT	70-27478-04	2	1
Bezel, CRT	74-42266-04	3	1
Bracket, Bezel Stiffener	74-41237-01	3	7
Bulkhead	74-44077-01	5	6
Bumper	12-26968-01	4	8
Cable Assembly, Brightness/Contrast Control	70-27007-04	3	4
Cable Assembly, Horizontal/Vertical/Rotation Raster Control	70-27003-04	2	3
Cable Assembly, Interconnect	70-27000-03	1	6
Cable Assembly, On/Off Switch	70-27008-01	3	5
CHASSIS ASSEMBLY, CRT (Northern Hemisphere)	70-27477-04	1	1
CHASSIS ASSEMBLY, CRT (Northern Hemisphere)	70-27477-04	2	N/A
CHASSIS ASSEMBLY, CRT (Southern Hemisphere)	70-27477-05	1	1
CHASSIS ASSEMBLY, CRT (Southern Hemisphere)	70-27477-05	2	N/A
CRT, 15 Inch Flat, High Resolution	12-32037-03	3	2
Clip, Adhesive Backed Wire Routing	12-21249-06	2	8
Clip, Fingerstock	12-22380-02	5	15
Cover Assembly, Rear	70-29098-01	1	7
Cover Assembly, Top	70-27075-01	2	5
ENCLOSURE ASSEMBLY	70-27070-02	2	4
Enclosure, Rear	74-39785-02	4	1
Filter, EMI, 1 PH, 120/240V, 3.5/2A, 30 MH	12-31735-02	5	4
Foam, Rear Cover	74-40667-02	5	13
Gasket, Network	74-45233-01	5	14
Guide, Top Card, (R.H.)	74-39792-02	4	5
Guide, Upper Card	74-39792-01	4	4
Guide, Lower Card	74-39793-01	4	6
Insulator	74-45764-01	3	14
Label, DHHS X-Ray Emission	36-34850-01	2	10
Label, Regulatory	36-38593-01	1	8
Label, SIMM Installation	36-38594-01	5	7
Label, "Danger High Voltage"	36-10267-05	2	9
Latch Assembly, Slide	12-18489-01	5	5
LOGIC ASSEMBLY	70-29102-01	1	3
LOGIC ASSEMBLY	70-29102-01	5	N/A
Magnet, Ring	12-30627-01	2	11
Magnet, Ring	12-30627-02	2	11
Magnet, Ring	12-30627-06	2	11
Model VX15A-A4 (Southern Hemisphere)	VX15A-A4	1	N/A
Model VX15A-A9 (Northern Hemisphere)	VX15A-A9	1	N/A
Module, DWT 15 Inch PC	54-21578-01	5	1
Module, Power Supply	54-21169-01	1	4
Module, Thickwire/Twisted Pair NI	54-20482-02	5	3
Module, VR325 Deflection	54-21660-01	1	5
Nut, Kep No. 10-32 x 3/8	90-06565-00	3	12
Nut, Kep No. 10-32 x 3/8	90-06565-00	5	12
Package Assembly	37-01228-01	1	Not Shown
Pad, Mouse	12-36561-01	1	Not Shown

INDEX BY DEC PART DESCRIPTION

VXT 2000 Model VX225 Terminal

DESCRIPTION	DEC PART NO.	FIG. NO.	ITEM NO.
Panel, Left Shield	74-44631-02	4	12
Panel, Right Shield	74-44631-01	4	11
Pin, Cover	74-45234-01	1	9
Plate, CRT Mounting	74-41206-01	3	8
Retainer	74-39791-01	4	2
Rivet, Blind Aluminum	90-00030-50	2	7
Rivet, Blind Aluminum	90-00030-50	4	10
Screw, Captive Pan Hd No. 6-32 x 9/16	12-30940-01	5	10
Screw, Lock No. 4-40 x 5/16	90-08451-12	5	8
Screw, Machine Pan Hd No. 8-32 x 1/2	90-06039-01	2	6
Screw, Machine Pan Hd No. 8-32 x 3/8	90-06037-01	5	11
Screw, Self-Tap Flat Hd No. 6-19 x 1/2	90-10158-01	3	9
Screw, Self-Tap Flat Hd No. 6-19 x 1/2	90-10158-01	4	9
Screw, Self-Tap Phi Pan Hd No. 6-19 x 3/8	90-09800-06	3	6
Screw, Sems Pan Hd No. 6-32 x 5/16	90-09984-07	5	9
Shield, Aquadag	74-39802-01	2	2
Shield, Bottom	74-39800-02	4	7
Shield, Safety	74-44078-01	5	2
Spacer, CRT	74-42033-01	3	10
Tape, Fiberglass Adhesive	36-15670-01	3	13
UNIT ASSEMBLY, VX15A TERMINAL	N/A	1	N/A
Video Assembly	70-29100-01	1	2
Washer, Flat	90-06668-01	3	11
Yoke, Low Emission	12-32774-02	3	3

READER'S COMMENTS

VXT 2000 Model VX225 Terminal

Illustrated Parts Breakdown

EK-VXT15-IP .A01

1. How did you use this manual? (Circle your response.)

- (a) Installation (c) Maintenance (e) Training
(b) Operation/Use (d) Programming (f) Other (Please specify) _____

2. Did the manual meet your needs? Yes No Why? _____

3. Please rate the manual on the following categories. (Circle your response.)

	Excellent	Good	Fair	Poor	Unacceptable
Accuracy	5	4	3	2	1
Clarity	5	4	3	2	1
Completeness	5	4	3	2	1
Illustrations, examples	5	4	3	2	1
Overall ease of use	5	4	3	2	1
Table of Content, Index	5	4	3	2	1

4. What things did you like *most* about this manual? _____

5. What things did you like *least* about this manual? _____

6. Please list and describe any errors you found in the manual.

Page	Description/Location of Error
_____	_____
_____	_____
_____	_____
_____	_____

7. Which of the following most clearly describes your job ? (Circle your response.)

- (a) Administrative Support (e) System Manager (i) Education/Trainer
(b) Manager/Supervisor (f) Computer Operator (j) Sales/Marketing
(c) Scientist/Engineer (g) Software Support (k) Other (Please specify)
(d) Programmer/Analyst (h) Hardware Support _____

OPTIONAL INFORMATION

Name _____ Job Title _____

Street _____ Company _____

City _____ Department _____

State/Country _____ Telephone Number _____

Postal (ZIP) Code _____ Date _____

THANK YOU FOR YOUR COMMENTS AND SUGGESTIONS.

Please do not use this form to order manuals. Contact your representative at Digital Equipment Corporation or (in the USA) call our DECdirect™ department at this toll-free number : 800-344-4825