

**ILLUSTRATED  
PARTS  
BREAKDOWN**

**VXT 2000  
SYSTEM BOX ASSEMBLY**

**ILLUSTRATED PARTS BREAKDOWN (IPB)**

The IPB is used to identify a part and its location in a hardware product. The document references specific item numbers in the associated parts list.

**HOW TO USE THE IPB**

1. Locate the figure containing the item of interest.
2. Locate the number (callout) of the item of interest.
3. Locate that item number in the associated parts list.

**FORMAT**

Each IPB is generally organized based on its first figure. All other assemblies and subassemblies are referenced from this figure. Each figure contains numeric callouts of all major parts (items).

**PARTS LIST**

Each parts list contains the following:

**Figure and Item No.** - Lists the figure number and its referenced numeric callout

**Description** - Presents the name and a brief description of the item. A single asterisk (\*) preceding the description

denotes item is a subassembly to its referenced figure. A double asterisk (\*\*) preceding the description indicates that this item is subordinate to the preceding single asterisk item.

**DEC Part No.** - Lists the Digital/Vendor part number. The letter in the column heading indicates the current revision level of the Engineering Drawing for the referenced figure.

**ECO Cut-In** - Lists the top assembly drawing number and revision level at first printing. All additional revisions to an item are listed in this column.

**Used On Code** - Lists letters referring to the product variation assigned in Figure 1. When this column is blank, the item is used in all variations.

**Ref Fig No.** - Lists a cross reference between figures within the IPB.

**PART NUMBER/PART DESCRIPTION INDEX SECTION**

Lists items by part number numerically, and description alphabetically. Items are also referenced to a location within the IPB by figure and item number.

**ECO/REVISION HISTORY**

**OTHER IPB  
MANUALS  
REFERENCED**

FIGURE NO.	ASSEMBLY	INITIAL LEVEL	CURRENT LEVEL	PRINTING DATE	OTHER IPB MANUALS REFERENCED
1	VX20A	00000	00000	15-NOV-91	
2	70-29428	00000	00000		
3	H7109	00000	00000		

Digital Equipment Corporation reserves the right, without notice, to make substitutions and modifications in the specifications of products documented in this manual and further reserves the right to withdraw any of these products from the market without notice.

Digital Equipment Corporation is not responsible for errors which may appear in the technical description (including illustrations and photographs) of the products covered by this manual.

None of the descriptions contained in this manual imply the granting of any license whatsoever to make, use or sell equipment constructed in accordance therewith.

Restricted Rights: Use, duplication or disclosure by the U.S. Government is subject to restrictions as set forth in subparagraph (c) (1) (ii) of the Rights in Technical Data and Computer Software clause at DFARS 252.227-2713.

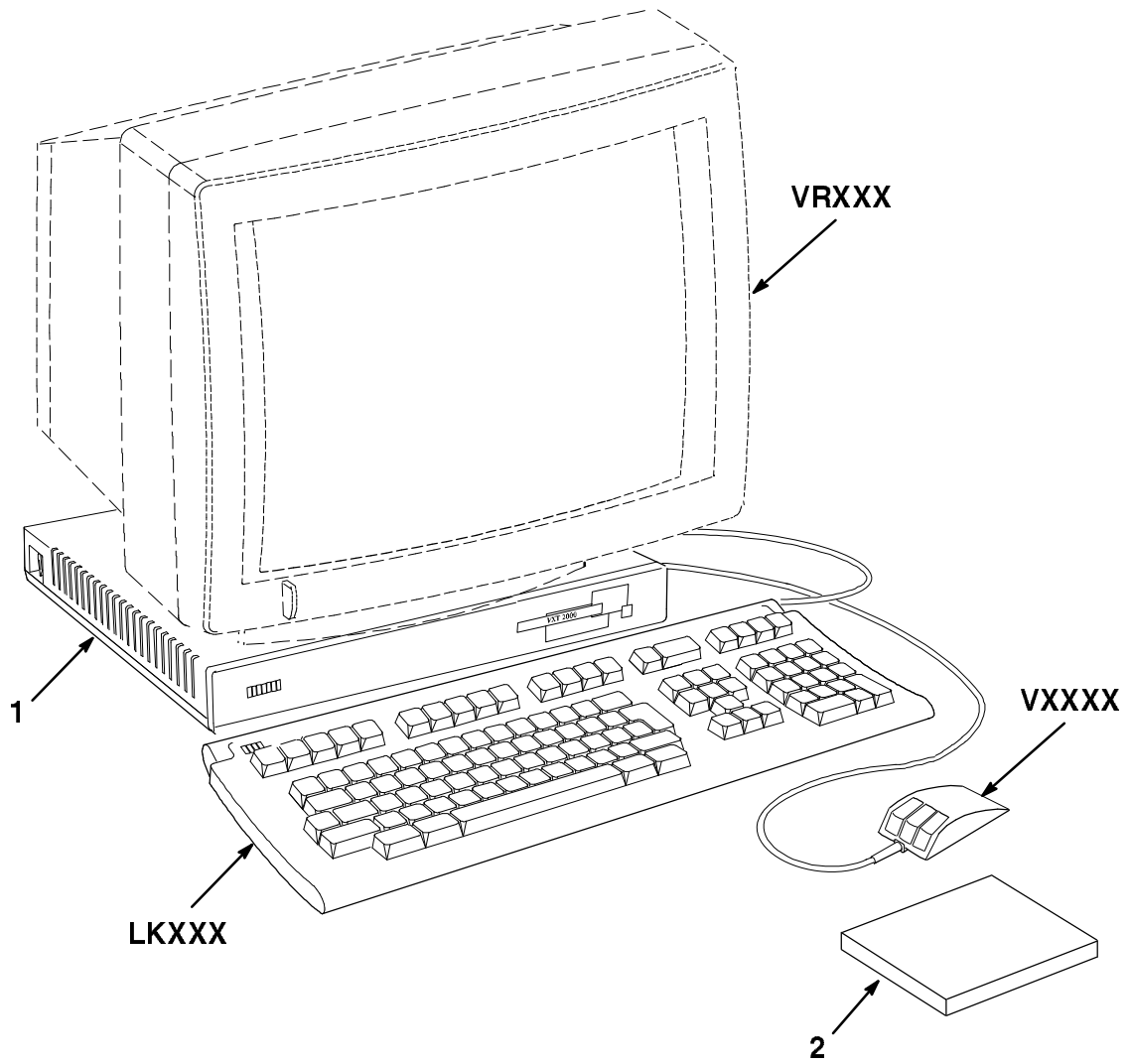
Copyright © 1991 by Digital Equipment Corporation. All rights reserved.  
Printed in U.S.A.

The postage-paid READER'S COMMENTS form on the last page of this document requests your critical evaluation to assist us in preparing future documentation.

The following are trademarks of Digital Equipment Corporation :

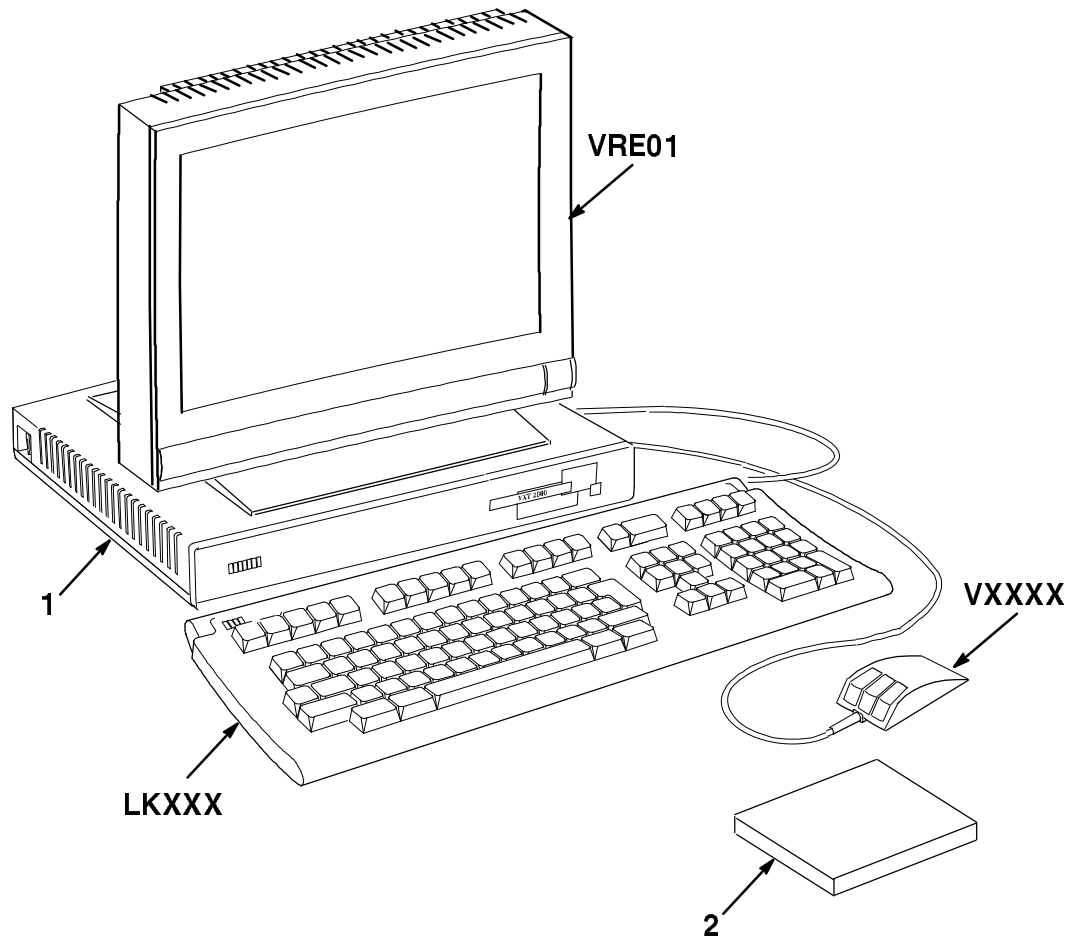
---

DECdirect, ThinWire, VXT 2000 and the DIGITAL logo.



V2000-01-IL

**Figure 1. VXT 2000 System (Sheet 1 of 2)**

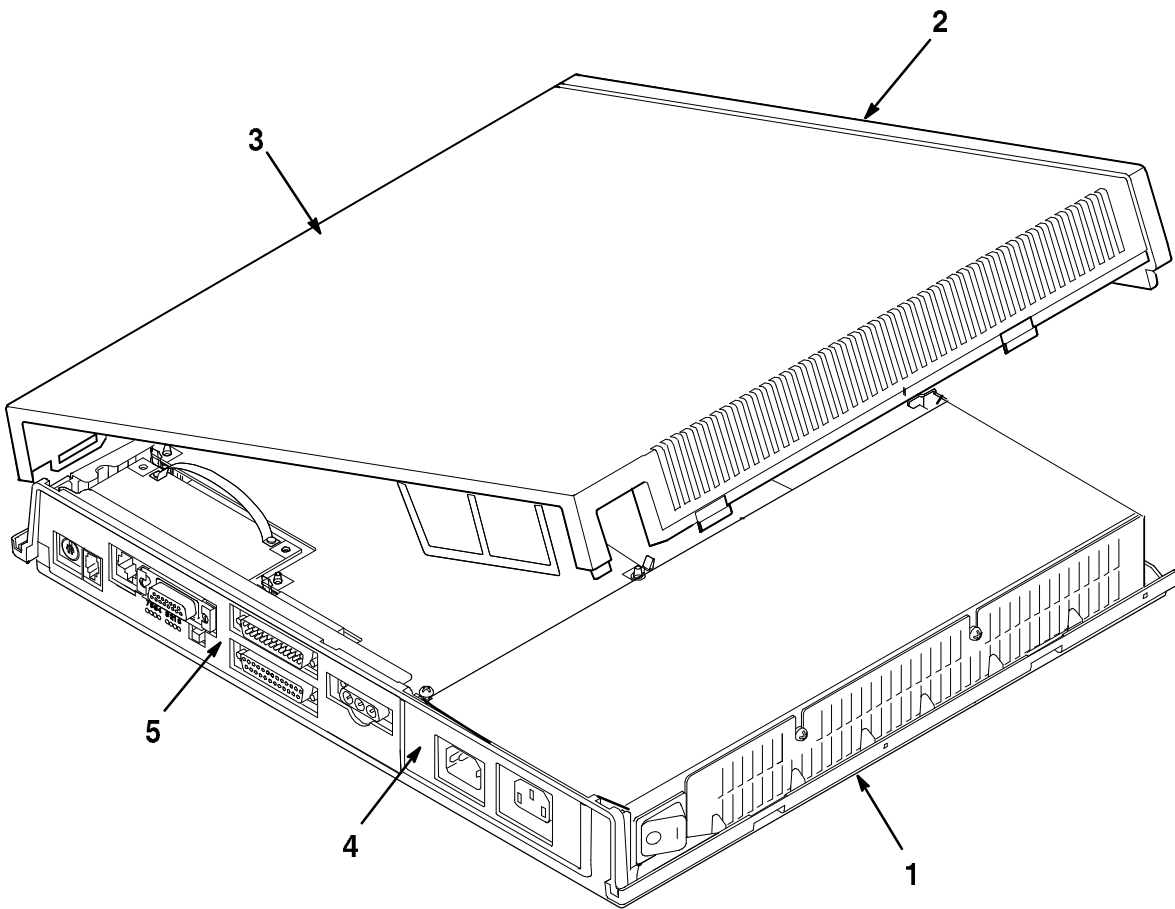


V2000-01A-IL

**Figure 1. VXT 2000 System (Sheet 2 of 2)**

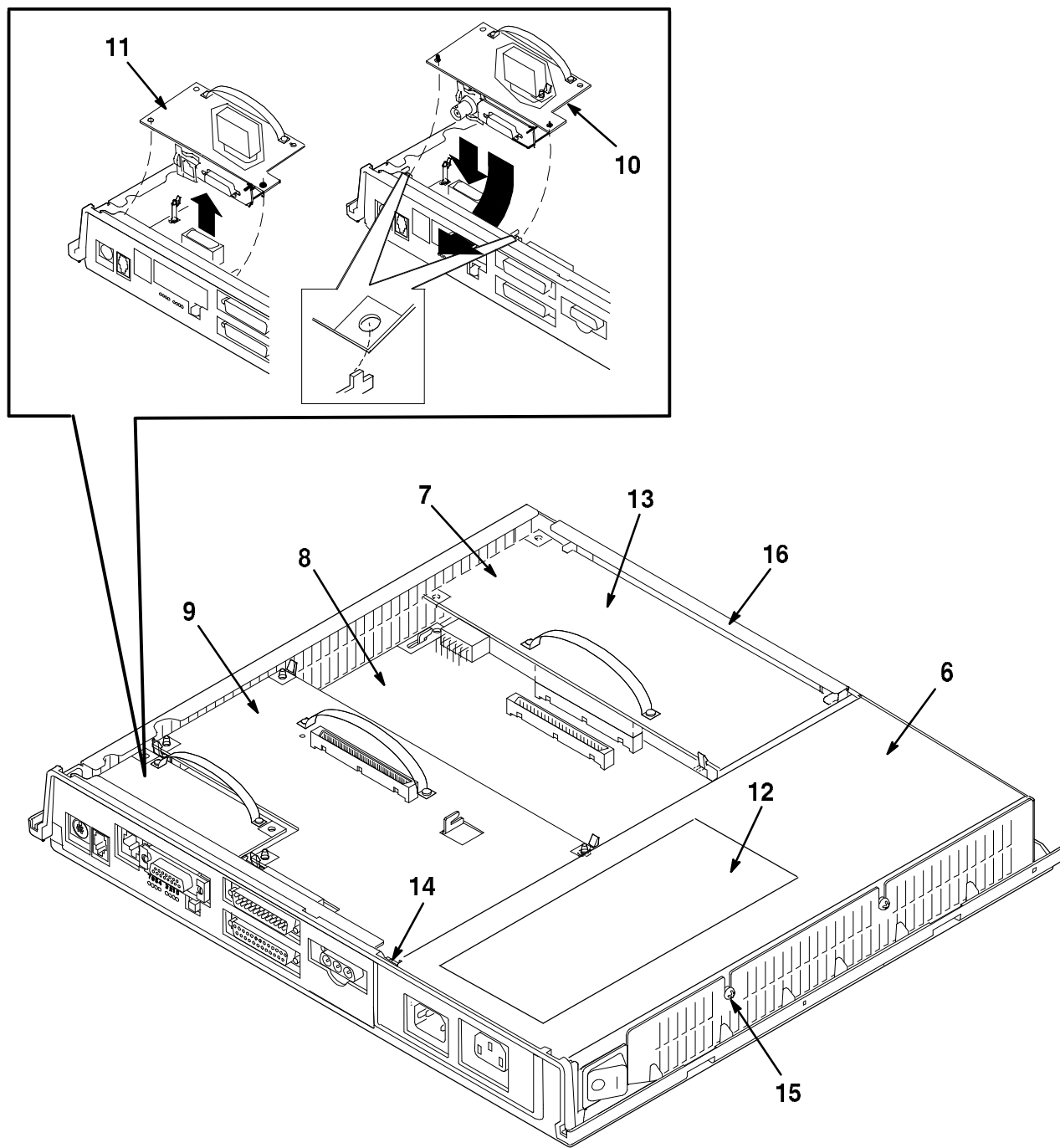
FIG.& ITEM NO.	DESCRIPTION	DEC PART NO. <sup>A</sup>	ECO CUT-IN VX20A 00000	USED ON CODE	REF FIG NO.
1-	VXT 2000 SYSTEM				
	Code A - Used on VX20A-AA (8 Plane, 1280 x 1024, ThinWire, 72 Hz)	VX20A-AA		A	
	Code B - Used on VX20A-AB (8 Plane, 1024 x 768, ThinWire, 72 Hz)	VX20A-AB		B	
	Code C - Used on VX20A-AC (2 Plane, 1280 x 1024, ThinWire, 72 Hz)	VX20A-AC		C	
	Code D - Used on VX20A-AD (2 Plane, 1024 x 864, ThinWire, 72 Hz)	VX20A-AD		D	
	Code E - Used on VX20A-AE (2 Plane, 1024 x 864, ThinWire, 60 Hz)	VX20A-AE		E	
	Code F - Used on VX20A-AF (8 Plane, 1024 x 768, ThinWire, 72 Hz)	VX20A-AF		F	
	Code G - Used on VX20A-BA (8 Plane, 1280 x 1024, Twisted Pair, 72 Hz)	VX20A-BA		G	
	Code H - Used on VX20A-BB (8 Plane, 1024 x 768, Twisted Pair, 72 Hz)	VX20A-BB		H	
	Code J - Used on VX20A-BC (2 Plane, 1280 x 1024, Twisted Pair, 72 Hz)	VX20A-BC		J	
	Code K - Used on VX20A-BD (2 Plane, 1024 x 864, Twisted Pair, 72 Hz)	VX20A-BD		K	
	Code L - Used on VX20A-BE (2 Plane, 1024 x 864, Twisted Pair, 60 Hz)	VX20A-BE		L	
	Code M - Used on VX20A-BF (8 Plane, 1024 x 768, Twisted Pair, 72 Hz)	VX20A-BF		M	
1	*BOX ASSEMBLY, SYSTEM (Supports VRM17, VR319, VR320)	70-29428-01		A	2
	*BOX ASSEMBLY, SYSTEM (Supports VR326)	70-29428-02		B	2
	*BOX ASSEMBLY, SYSTEM (Supports VRM17, VR319)	70-29428-03		C	2
	*BOX ASSEMBLY, SYSTEM (Supports VR315)	70-29428-04		D	2
	*BOX ASSEMBLY, SYSTEM (Supports VRE01)	70-29428-05		E	2
	*BOX ASSEMBLY, SYSTEM	70-29428-06		F	2
	*BOX ASSEMBLY, SYSTEM (Supports VRM17, VR319, VR320)	70-29428-07		G	2
	*BOX ASSEMBLY, SYSTEM (Supports VR326)	70-29428-08		H	2
	*BOX ASSEMBLY, SYSTEM (Supports VRM17, VR319)	70-29428-09		J	2
	*BOX ASSEMBLY, SYSTEM (Supports VR315)	70-29428-10		K	2
	*BOX ASSEMBLY, SYSTEM (Supports VRE01)	70-29428-11		L	2
	*BOX ASSEMBLY, SYSTEM	70-29428-12		M	2
2	*Pad, Mouse	12-36561-01			

FIG. & ITEM NO.	DESCRIPTION	DEC PART NO. <sup>A</sup>	ECO CUT-IN VX20A 00000	USED ON CODE	REF FIG NO.
1-	<p style="text-align: center;">ITEMS (Not Shown)</p> <ul style="list-style-type: none"> <li>* Cable Assembly, 75 Ohm Coaxial</li> <li>* Cable Assembly, Molded Coaxial Shielded</li> <li>* Cable Assembly, 3 Conductor 10 Amp 250V</li> <li>* Cable Assembly, Molded</li> <li>* Documentation, "VXT 2000 Video Terminal User Guide"</li> </ul>	<ul style="list-style-type: none"> <li>17-02441-01</li> <li>17-02906-02</li> <li>17-03217-01</li> <li>17-03305-01</li> <li>EK-VXT20-DK</li> </ul>		<ul style="list-style-type: none"> <li>CDEJKL</li> <li>ABGH</li> <li>FM</li> </ul>	



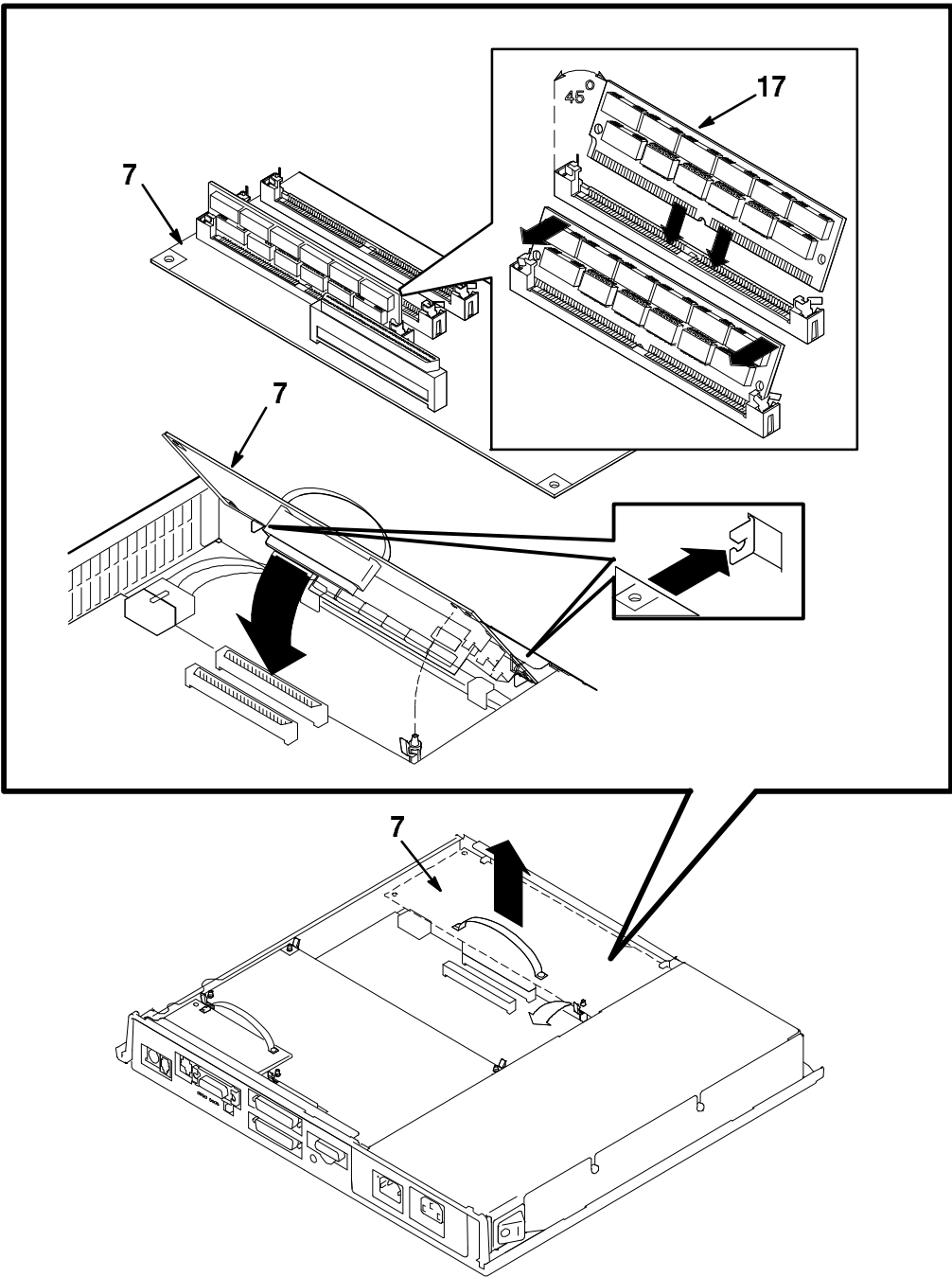
V2000-02-IL

**Figure 2. Box Assembly, System (Sheet 1 of 3)**



V2000-02A-IL

Figure 2. Box Assembly, System (Sheet 2 of 3)



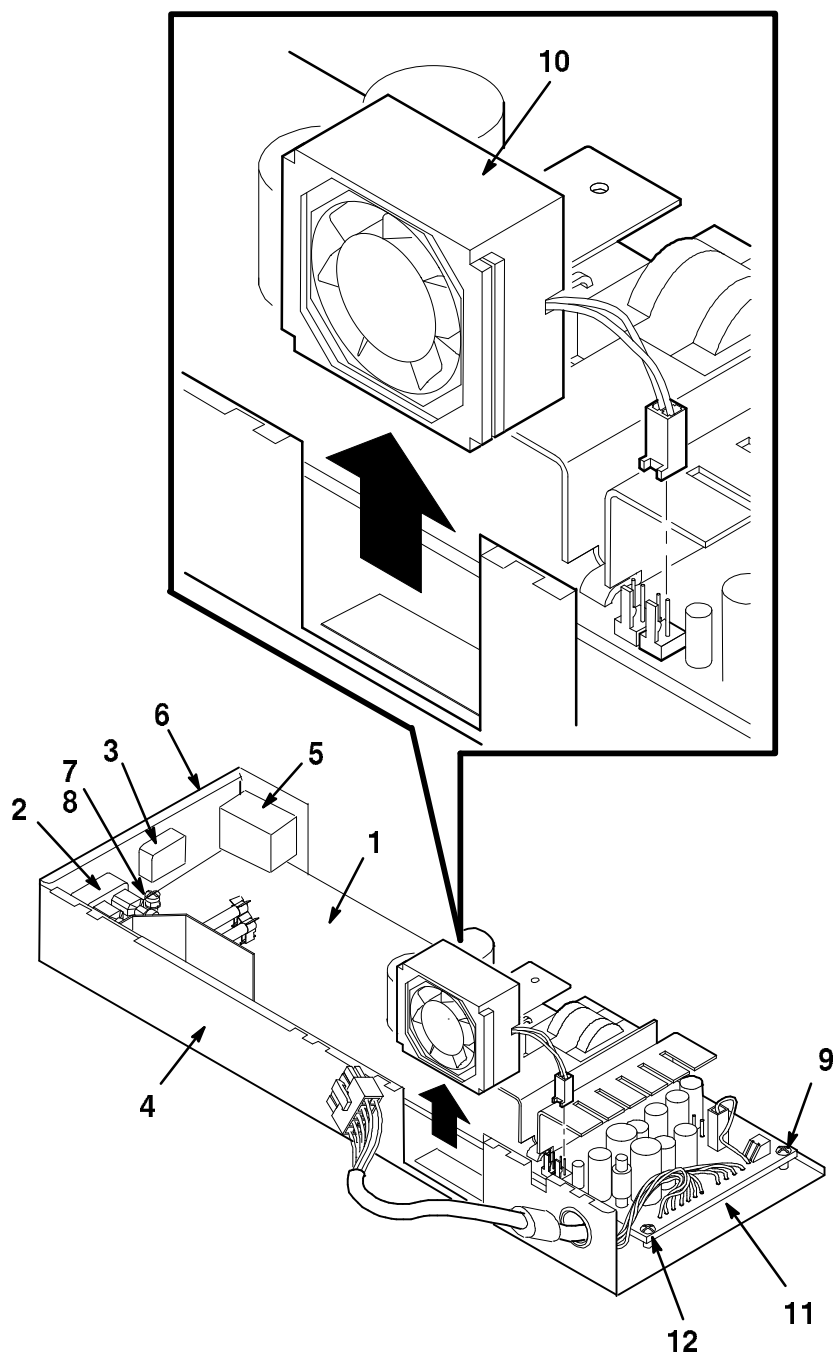
V2000-02B-IL

Figure 2. Box Assembly, System (Sheet 3 of 3)

FIG. & ITEM NO.	DESCRIPTION	DEC PART NO.	ECO CUT-IN 70-29428 00000	USED ON CODE	REF FIG NO.
2-	*BOX ASSEMBLY, SYSTEM (Supports VRM17, VR319, VR320)	70-29428-01		A	1
	*BOX ASSEMBLY, SYSTEM (Supports VR326)	70-29428-02		B	1
	*BOX ASSEMBLY, SYSTEM (Supports VRM17, VR319)	70-29428-03		C	1
	*BOX ASSEMBLY, SYSTEM (Supports VR315)	70-29428-04		D	1
	*BOX ASSEMBLY, SYSTEM (Supports VRE01)	70-29428-05		E	1
	*BOX ASSEMBLY, SYSTEM	70-29428-06		F	1
	*BOX ASSEMBLY, SYSTEM (Supports VRM17, VR319, VR320)	70-29428-07		G	1
	*BOX ASSEMBLY, SYSTEM (Supports VR326)	70-29428-08		H	1
	*BOX ASSEMBLY, SYSTEM (Supports VRM17, VR319)	70-29428-09		J	1
	*BOX ASSEMBLY, SYSTEM (Supports VR315)	70-29428-10		K	1
	*BOX ASSEMBLY, SYSTEM (Supports VRE01)	70-29428-11		L	1
	*BOX ASSEMBLY, SYSTEM	70-29428-12		M	1
1	*Enclosure, Bottom	74-39208-02			
2	*Panel, Front	74-39210-05			
3	*Enclosure Assembly, Top	70-27014-01			
4	*Label, "H7109 Aux Output"	36-32467-03			
5	*Label, Rear	36-35565-01			
6	*POWER SUPPLY ASSEMBLY, H7109	H7109-B			3
7	*Module, Memory Controller	54-20478-01			
8	*Module, Logic	54-20530-01		BCDEF HJKLM	
	*Module, Logic FPU	54-20530-02		AG	
9	*Module, 8 Plane Color/Gray Scale 1280 x 1024	54-20470-01		AG	
	*Module, 8 Plane Color/Gray Scale 1024 x 768	54-20470-02		BH	
	*Module, 8 Plane Color/Gray Scale Video Option	54-20470-03		FM	
	*Module, 2 Plane Monochrome VRM17, VR319	54-20532-01		CJ	
	*Module, 2 Plane Monochrome VRE01 Flat	54-20532-03		EL	
	*Module, 2 Plane Monochrome VR315	54-20532-04		DK	
10	*Module, Thickwire ThinWire NI	54-20480-01		A-F	
11	*Module, Thickwire/Twisted Pair NI	54-20482-01		G-M	
12	*Label, Memory/Network Installation	36-36017-01		A-F	
	*Label, Memory/Network Installation	36-36017-02		G-M	
13	*Insulator, CPU Module	74-43159-01			
14	*Shield, EMI/RFI Clip-On Strip	12-22380-02			
15	*Screw, Sems Pan Hd No. 6-32 x 5/16	90-09984-07			
16	*Chassis	74-42605-01			
17	*Module, Memory Expansion (MEM) 2 Meg	MS200-AA			
	*Module, Memory Expansion (MEM) 4 Meg	MS200-BA			

FIG. & ITEM NO.	DESCRIPTION	DEC PART NO. <sup>B</sup>	ECO CUT-IN 70-29428 00000	USED ON CODE	REF FIG NO.
2-	<p style="text-align: center;">ITEMS (Not Shown)</p> <p>*Label, "VX20A Regulatory"</p> <p>*Label, "VX20A Regulatory"</p> <p>*Bumper, Round 1/2 Inch</p>	<p>36-3222-03</p> <p>36-3222-04</p> <p>90-10738-01</p>		<p>ABCDF</p> <p>GHJKM</p> <p>EL</p>	

THIS PAGE INTENTIONALLY LEFT BLANK



V2000-03-IL

**Figure 3. Power Supply Assembly, H7109**

FIG. & ITEM NO.	DESCRIPTION	DEC PART NO. <sup>A</sup>	ECO CUT-IN H7109 00000	USED ON CODE	REF FIG NO.
3-	POWER SUPPLY ASSEMBLY, H7109	H7109-B			2
1	*Module, Power Supply	54-19525-01			
2	*Socket Assembly, AC Input	70-26583-01			
3	*Socket Assembly, AC Output	70-26585-01			
4	*CHASSIS	74-39336-01			
5	**Switch, On/Off Rocker	12-22355-10			
6	*Label, "AUX/Output"	36-32467-01			
7	*Nut, Kep No. 10-32	90-06565-01			
8	*Washer, Flat	90-06660-00			
9	*Screw, Machine Phi Pan Hd No. 6-32 x 1/4	90-06020-01			
10	*Fan Assembly	70-26582-01			
11	*Insulator, Sheet	74-40205-01			
12	*Screw, Sems Phi Pan Hd No. 6-32 x 1/4	90-10174-00			
	LABELS (Not Shown)				
	*Label, "H7109-B Power Supply"	36-32224-01			
	*Label, "Danger High Voltage"	36-10267-02			
	*Label, "Caution Replace Fuse"	36-17615-00			
					Ω

# **PART NUMBER/DESCRIPTION INDEX**

**INDEX BY DEC PART NUMBER**  
**VXT 2000 SYSTEM BOX ASSEMBLY**

PART NO.	DESCRIPTION	FIG NO.	ITEM NO.
12-22355-10	Switch, On/Off Rocker	3	5
12-22380-02	Shield, EMI/RFI Clip-On Strip	2	14
12-36561-01	Pad, Mouse	1	2
17-02441-01	Cable Assembly, 75 Ohm Coaxial	1	Not Shown
17-02906-02	Cable Assembly, Molded Coaxial Shielded	1	Not Shown
17-03217-01	Cable Assembly, 3 Conductor 10 Amp 250V	1	Not Shown
17-03305-01	Cable Assembly, Molded	1	Not Shown
36-10267-02	Label, "Danger High Voltage"	3	Not Shown
36-17615-00	Label, "Caution Replace Fuse"	3	Not Shown
36-32222-03	Label, "VX20A Regulatory"	2	Not Shown
36-32222-04	Label, "VX20A Regulatory"	2	Not Shown
36-32224-01	Label, "H7109-B Power Supply"	3	Not Shown
36-32467-01	Label, "AUX/Output"	3	6
36-32467-03	Label, "H7109 Aux Output"	2	4
36-35565-01	Label, Rear	2	5
36-36017-01	Label, Memory Network Installation	2	12
36-36017-02	Label, Memory Network Installation	2	12
54-19525-01	Module, Power Supply	3	1
54-20470-01	Module, 8 Plane Color/Gray Scale 1280 x 1024	2	9
54-20470-02	Module, 8 Plane Color/Gray Scale 1024 x 768	2	9
54-20470-03	Module, 8 Plane Color/Gray Scale Video Option	2	9
54-20478-01	Module, Memory Controller	2	7
54-20480-01	Module, Thickwire, ThinWire NI	2	10
54-20482-01	Module, Thickwire/Twisted Pair NI	2	11
54-20530-01	Module, Logic	2	8
54-20530-02	Module, Logic FPU	2	8
54-20532-01	Module, 2 Plane Monochrome VRM17, VR319	2	9
54-20532-03	Module, 2 Plane Monochrome VRE01 Flat	2	9
54-20532-04	Module, 2 Plane Monochrome VR315	2	9
70-26582-01	Fan Assembly	3	10
70-26583-01	Socket Assembly, AC Input	3	2
70-26585-01	Socket Assembly, AC Output	3	3
70-27014-01	Enclosure Assembly, Top	2	3
70-29428-01	BOX ASSEMBLY, SYSTEM (Supports VRM17, VR319, VR320)	1	1
70-29428-01	BOX ASSEMBLY, SYSTEM (Supports VRM17, VR319, VR320)	2	N/A
70-29428-02	BOX ASSEMBLY, SYSTEM (Supports VR326)	1	1
70-29428-02	BOX ASSEMBLY, SYSTEM (Supports VR326)	2	N/A
70-29428-03	BOX ASSEMBLY, SYSTEM (Supports VRM17, VR319)	1	1
70-29428-03	BOX ASSEMBLY, SYSTEM (Supports VRM17, VR319)	2	N/A
70-29428-04	BOX ASSEMBLY, SYSTEM (Supports VR315)	1	1
70-29428-04	BOX ASSEMBLY, SYSTEM (Supports VR315)	2	N/A
70-29428-05	BOX ASSEMBLY, SYSTEM (Supports VRE01)	2	N/A
70-29428-05	BOX ASSEMBLY, SYSTEM (Supports VRE01)	1	1
70-29428-06	BOX ASSEMBLY, SYSTEM	1	1
70-29428-06	BOX ASSEMBLY, SYSTEM	2	N/A
70-29428-07	BOX ASSEMBLY, SYSTEM (Supports VRM17, VR319, VR320)	1	1
70-29428-07	BOX ASSEMBLY, SYSTEM (Supports VRM17, VR319, VR320)	2	N/A
70-29428-08	BOX ASSEMBLY, SYSTEM (Supports VR326)	1	1
70-29428-08	BOX ASSEMBLY, SYSTEM (Supports VR326)	2	N/A

**INDEX BY DEC PART NUMBER**  
**VXT 2000 SYSTEM BOX ASSEMBLY**

PART NO.	DESCRIPTION	FIG NO.	ITEM NO.
70-29428-09	BOX ASSEMBLY, SYSTEM (Supports VRM17, VR319)	1	1
70-29428-09	BOX ASSEMBLY, SYSTEM (Supports VRM17, VR319)	2	N/A
70-29428-10	BOX ASSEMBLY, SYSTEM (Supports VR315)	2	N/A
70-29428-10	BOX ASSEMBLY, SYSTEM (Supports VR315)	1	1
70-29428-11	BOX ASSEMBLY, SYSTEM (Supports VRE01)	1	1
70-29428-11	BOX ASSEMBLY, SYSTEM (Supports VRE01)	2	N/A
70-29428-12	BOX ASSEMBLY, SYSTEM	2	N/A
70-29428-12	BOX ASSEMBLY, SYSTEM	1	1
74-39208-02	Enclosure, Bottom	2	1
74-39210-05	Panel, Front	2	2
74-39336-01	CHASSIS	3	4
74-40205-01	Insulator, Sheet	3	11
74-42605-01	Chassis	2	16
74-43159-01	Insulator, CPU Module	2	13
90-06020-01	Screw, Machine Phl Pan Hd No. 6-32 x 1/4	3	9
90-06565-01	Nut, Kep No. 10-32	3	7
90-06660-00	Washer, Flat	3	8
90-07031-00	Cable Tie	3	Not Shown
90-09984-07	Screw, Sems Pan Hd No. 6-32 x 5/16	2	15
90-10174-00	Screw, Sems Phl Pan Hd No. 6-32 x 1/4	3	12
90-10738-01	Bumper, Round 1/2 Inch	2	Not Shown
EK-VXT20-DK	Documentation, "VXT 2000 Video Terminal User Guide"	1	Not Shown
H7109-B	POWER SUPPLY ASSEMBLY, H7109	3	N/A
H7109-B	POWER SUPPLY, 54W	2	6
MS200-AA	Module, Memory Expansion (MEM) 2 Meg	2	17
MS200-BA	Module, Memory Expansion (MEM) 4 Meg	2	17
N/A	VXT 2000 SYSTEM	1	N/A
VX20A-AA	VX20A-AA (8 Plane, 1280 x 1024, ThinWire, 72 Hz)	1	N/A
VX20A-AB	VX20A-AB (8 Plane, 1024 x 768, ThinWire, 72Hz)	1	N/A
VX20A-AC	VX20A-AC (2 Plane, 1280 x 1024, ThinWire, 72 Hz)	1	N/A
VX20A-AD	VX20A-AD (2 Plane, 1024 x 864, ThinWire, 72 Hz)	1	N/A
VX20A-AE	VX20A-AE (2 Plane, 1024 x 864, ThinWire, 60 Hz)	1	N/A
VX20A-AF	VX20A-AF (8 Plane, 1024 x 768, ThinWire, 72 Hz)	1	N/A
VX20A-BA	VX20A-BA (8 Plane, 1280 x 1024, Twisted Pair, 72 Hz)	1	N/A
VX20A-BB	VX20A-BB (8 Plane, 1024 x 768, Twisted Pair, 72 Hz)	1	N/A
VX20A-BC	VX20A-BC (2 Plane, 1280 x 1024, Twisted Pair, 72 Hz)	1	N/A
VX20A-BD	VX20A-BD (2 Plane, 1024 x 864, Twisted Pair, 72 Hz)	1	N/A
VX20A-BE	VX20A-BE (2 Plane, 1024 x 864, Twisted Pair, 60 Hz)	1	N/A
VX20A-BF	VX20A-BF (8 Plane, 1024 x 768, Twisted Pair, 72 Hz)	1	N/A

# INDEX BY DEC PART DESCRIPTION

## VXT 2000 SYSTEM BOX ASSEMBLY

DESCRIPTION	DEC PART NO.	FIG. NO.	ITEM NO.
BOX ASSEMBLY, SYSTEM (Supports VR315)	70-29428-04	2	N/A
BOX ASSEMBLY, SYSTEM (Supports VR315)	70-29428-04	1	1
BOX ASSEMBLY, SYSTEM (Supports VRM17, VR319)	70-29428-09	2	N/A
BOX ASSEMBLY, SYSTEM (Supports VRM17, VR319)	70-29428-09	1	1
BOX ASSEMBLY, SYSTEM	70-29428-06	1	1
BOX ASSEMBLY, SYSTEM	70-29428-06	2	N/A
BOX ASSEMBLY, SYSTEM (Supports VRM17, VR319, VR320)	70-29428-01	1	1
BOX ASSEMBLY, SYSTEM (Supports VRM17, VR319, VR320)	70-29428-01	2	N/A
BOX ASSEMBLY, SYSTEM (Supports VR326)	70-29428-02	1	1
BOX ASSEMBLY, SYSTEM (Supports VR326)	70-29428-02	2	N/A
BOX ASSEMBLY, SYSTEM (Supports VRM17, VR319, VR320)	70-29428-07	1	1
BOX ASSEMBLY, SYSTEM (Supports VRM17, VR319, VR320)	70-29428-07	2	N/A
BOX ASSEMBLY, SYSTEM (Supports VRE01)	70-29428-05	1	1
BOX ASSEMBLY, SYSTEM (Supports VRE01)	70-29428-05	2	N/A
BOX ASSEMBLY, SYSTEM (Supports VRE01)	70-29428-11	1	1
BOX ASSEMBLY, SYSTEM (Supports VRE01)	70-29428-11	2	N/A
BOX ASSEMBLY, SYSTEM (Supports VR315)	70-29428-10	1	1
BOX ASSEMBLY, SYSTEM (Supports VR315)	70-29428-10	2	N/A
BOX ASSEMBLY, SYSTEM (Supports VRM17, VR319)	70-29428-03	1	1
BOX ASSEMBLY, SYSTEM (Supports VRM17, VR319)	70-29428-03	2	N/A
BOX ASSEMBLY, SYSTEM (Supports VR326)	70-29428-08	1	1
BOX ASSEMBLY, SYSTEM (Supports VR326)	70-29428-08	2	N/A
BOX ASSEMBLY, SYSTEM	70-29428-12	1	1
BOX ASSEMBLY, SYSTEM	70-29428-12	2	N/A
Bumper, Round 1/2 Inch	90-10738-01	2	Not Shown
Cable Assembly, 3 Conductor 10 Amp 250V	17-03217-01	1	Not Shown
Cable Assembly, 75 Ohm Coaxial	17-02441-01	1	Not Shown
Cable Assembly, Molded	17-03305-01	1	Not Shown
Cable Assembly, Molded Coaxial Shielded	17-02906-02	1	Not Shown
Cable Tie	90-07031-00	3	Not Shown
CHASSIS	74-39336-01	3	4
Chassis	74-42605-01	2	16
Documentation, "VXT 2000 Video Terminal User Guide"	EK-VXT20-DK	1	Not Shown
Enclosure Assembly, Top	70-27014-01	2	3
Enclosure, Bottom	74-39208-02	2	1
Fan Assembly	70-26582-01	3	10
Insulator, CPU Module	74-43159-01	2	13
Insulator, Sheet	74-40205-01	3	11
Label, "AUX/Output"	36-32467-01	3	6
Label, "Caution Replace Fuse"	36-17615-00	3	Not Shown
Label, "Danger High Voltage"	36-10267-02	3	Not Shown
Label, "H7109 Aux Output"	36-32467-03	2	4
Label, "H7109-B Power Supply"	36-32224-01	3	Not Shown
Label, "VX20A Regulatory"	36-32222-04	2	Not Shown
Label, "VX20A Regulatory"	36-32222-03	2	Not Shown
Label, Rear	36-35565-01	2	5

# INDEX BY DEC PART DESCRIPTION

## VXT 2000 SYSTEM BOX ASSEMBLY

DESCRIPTION	DEC PART NO.	FIG. NO.	ITEM NO.
Label, Memory Network Installation	36-36017-01	2	12
Label, Memory Network Installation	36-36017-02	2	12
Module, 2 Plane Monochrome VR315	54-20532-04	2	9
Module, 2 Plane Monochrome VRM17M, VR319	54-20532-01	2	9
Module, 2 Plane Monochrome VRE01 Flat	54-20532-03	2	9
Module, 8 Plane Color/Gray Scale 1024 x 768	54-20470-02	2	9
Module, 8 Plane Color/Gray Scale 1280 x 1024	54-20470-01	2	9
Module, 8 Plane Color/Gray Scale Video Option	54-20470-03	2	9
Module, Logic	54-20530-01	2	8
Module, Logic FPU	54-20530-02	2	8
Module, DWT Power Supply	54-19525-01	3	1
Module, Memory Controller	54-20478-01	2	7
Module, Memory Expansion (MEM) 2 Meg	MS200-AA	2	17
Module, Memory Expansion (MEM) 4 Meg	MS200-BA	2	17
Module, Thickwire, ThinWire NI	54-20480-01	2	10
Module, Thickwire/Twisted Pair NI	54-20482-01	2	11
Nut, Kep No. 10-32	90-06565-01	3	7
Pad, Mouse	12-36561-01	1	2
Panel, Front	74-39210-05	2	2
POWER SUPPLY ASSEMBLY, H7109	H7109-B	3	N/A
POWER SUPPLY ASSEMBLY, H7109	H7109-B	2	6
Screw, Machine Phi Pan Hd No. 6-32 x 1/4	90-06020-01	3	9
Screw, Sems Pan Hd No. 6-32 x 5/16	90-09984-07	2	15
Screw, Sems Phi Pan Hd No. 6-32 x 1/4	90-10174-00	3	12
Shield, EMI/RFI Clip-On Strip	12-22380-02	2	14
Socket Assembly, AC Input	70-26583-01	3	2
Socket Assembly, AC Output	70-26585-01	3	3
Switch, On/Off Rocker	12-22355-10	3	5
VX20A-AA (8 Plane, 1280 x 1024, ThinWire, 72 Hz)	VX20A-AA	1	N/A
VX20A-AB (8 Plane, 1024 x 768, ThinWire, 72 Hz)	VX20A-AB	1	N/A
VX20A-AC (2 Plane, 1280 x 1024, ThinWire, 72 Hz)	VX20A-AC	1	N/A
VX20A-AD (2 Plane, 1024 x 864, ThinWire, 72 Hz)	VX20A-AD	1	N/A
VX20A-AE (2 Plane, 1024 x 864, ThinWire, 60 Hz)	VX20A-AE	1	N/A
VX20A-AF (8 Plane, 1024 x 768, ThinWire, 72 Hz)	VX20A-AF	1	N/A
VX20A-BA (8 Plane, 1280 x 1024, Twisted Pair, 72 Hz)	VX20A-BA	1	N/A
VX20A-BB (8 Plane, 1024 x 768, Twisted Pair, 72 Hz)	VX20A-BB	1	N/A
VX20A-BC (2 Plane, 1280 x 1024, Twisted Pair, 72 Hz)	VX20A-BC	1	N/A
VX20A-BD (2 Plane, 1024 x 864, Twisted Pair, 72 Hz)	VX20A-BD	1	N/A
VX20A-BE (2 Plane, 1024 x 864, Twisted Pair, 60 Hz)	VX20A-BE	1	N/A
VX20A-BF (8 Plane, 1024 x 768, Twisted Pair, 72 Hz)	VX20A-BF	1	N/A
VXT 2000 SYSTEM	N/A	1	N/A
Washer, Flat	90-06660-00	3	8

# READER'S COMMENTS

VXT 2000 SYSTEM BOX ASSEMBLY  
Illustrated Parts Breakdown  
EK-V2000-IP-001

## 1. How did you use this manual? (Circle your response.)

- (a) Installation                      (c) Maintenance                      (e) Training  
(b) Operation/Use                      (d) Programming                      (f) Other (Please specify) \_\_\_\_\_

## 2. Did the manual meet your needs? Yes No Why? \_\_\_\_\_

## 3. Please rate the manual on the following categories. (Circle your response.)

	Excellent	Good	Fair	Poor	Unacceptable
Accuracy	5	4	3	2	1
Clarity	5	4	3	2	1
Completeness	5	4	3	2	1
Illustrations, examples	5	4	3	2	1
Overall ease of use	5	4	3	2	1
Table of Content, Index	5	4	3	2	1

## 4. What things did you like *most* about this manual? \_\_\_\_\_

## 5. What things did you like *least* about this manual? \_\_\_\_\_

## 6. Please list and describe any errors you found in the manual.

Page	Description/Location of Error
_____	_____
_____	_____
_____	_____
_____	_____

## 7. Which of the following most clearly describes your job ? (Circle your response.)

- (a) Administrative Support                      (e) System Manager                      (i) Education/Trainer  
(b) Manager/Supervisor                      (f) Computer Operator                      (j) Sales/Marketing  
(c) Scientist/Engineer                      (g) Software Support                      (k) Other (Please specify) \_\_\_\_\_  
(d) Programmer/Analyst                      (h) Hardware Support

### OPTIONAL INFORMATION

Name \_\_\_\_\_ Job Title \_\_\_\_\_

Street \_\_\_\_\_ Company \_\_\_\_\_

City \_\_\_\_\_ Department \_\_\_\_\_

State/Country \_\_\_\_\_ Telephone Number \_\_\_\_\_

Postal (ZIP) Code \_\_\_\_\_ Date \_\_\_\_\_

**THANK YOU FOR YOUR COMMENTS AND SUGGESTIONS.**

Please do not use this form to order manuals. Contact your representative at Digital Equipment Corporation or (in the USA) call our DECdirect™ department at this toll-free number : 800-258-1710