



### **3 1/2-Inch SCSI Disk Drive Installation Instructions**

EK-SC3DR-IN. A01

November 1992

---

This document illustrates how to install all 3 1/2-inch RZ-Series SCSI drives into the DEC 4000 AXP™ Model 600 Series system.

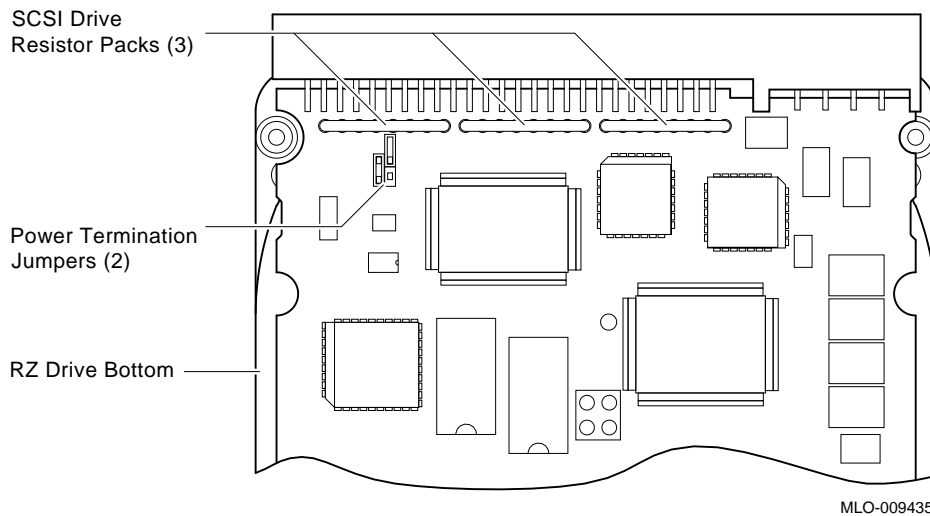
---

© Digital Equipment Corporation 1992. All rights reserved.

S2125

# 1 RZ-Series 3 1/2-Inch Fixed Disks

Figure 1 SCSI Terminators and Resistor Packs for 3 1/2-Inch Drives



---

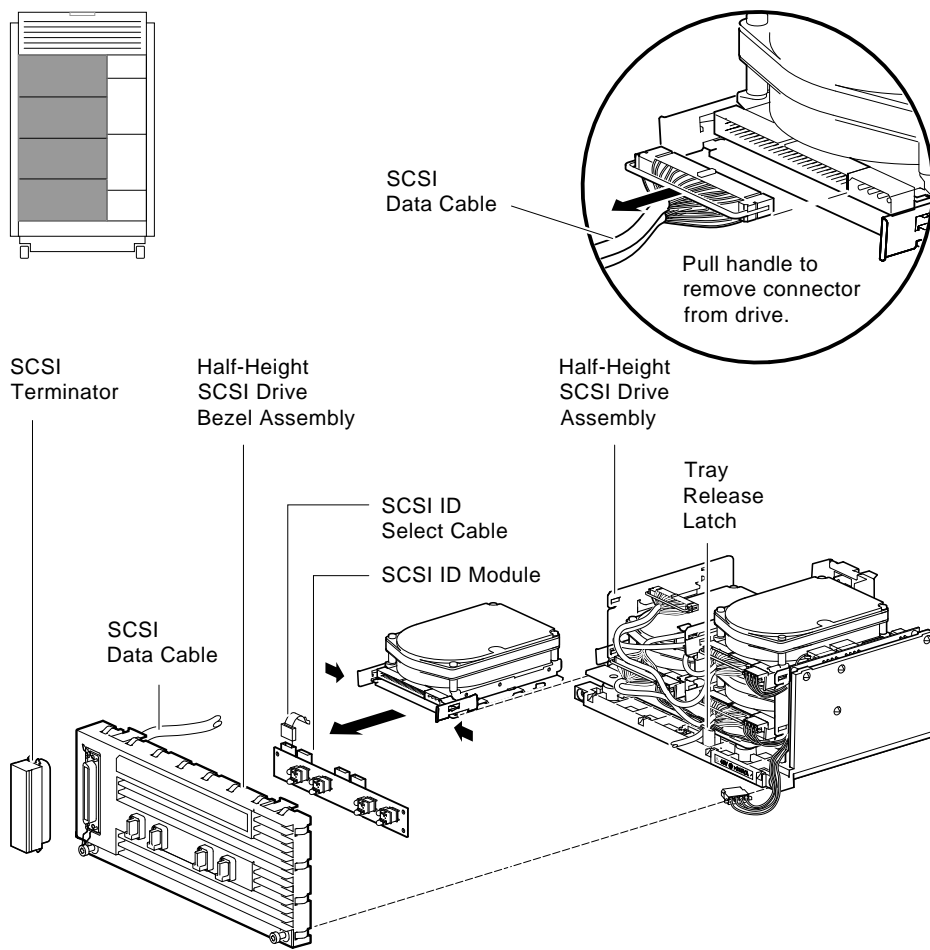
### Caution

---

When adding a SCSI 3 1/2-inch disk drive to the DEC 4000 AXP system, remove the three resistor packs and two power termination jumpers shown in Figure 1 to avoid bus problems.

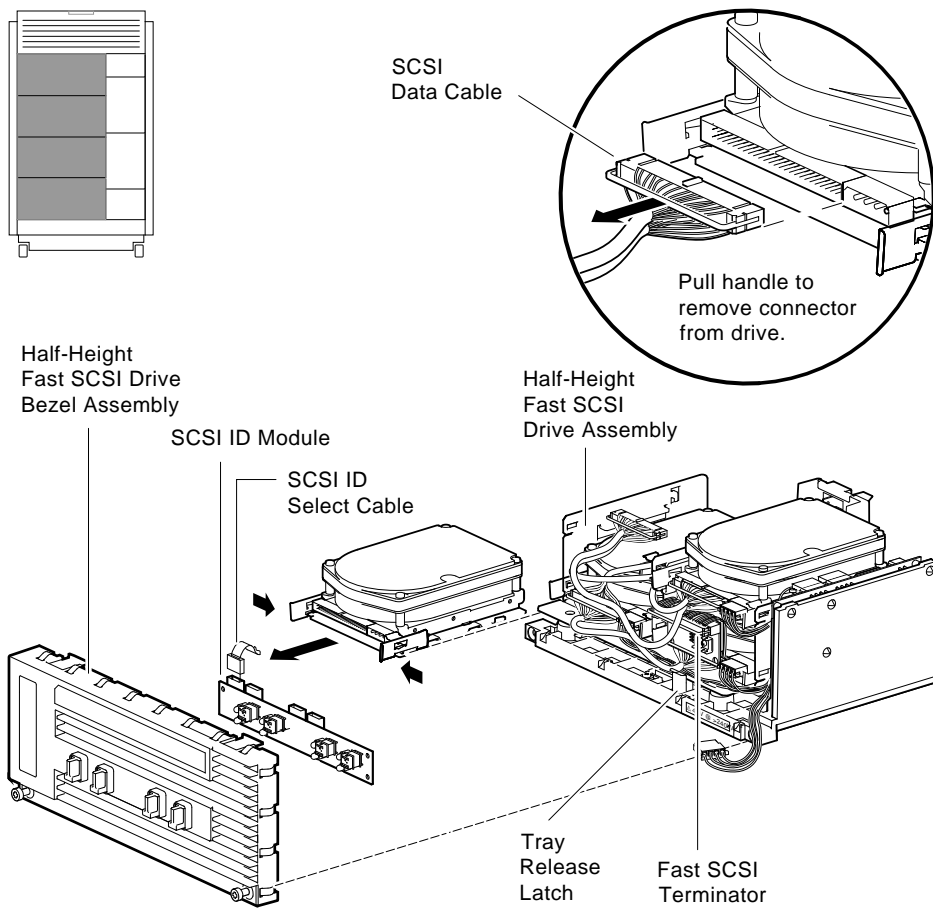
---

**Figure 2 RZ-Series 3 1/2-Inch Storage Assembly**



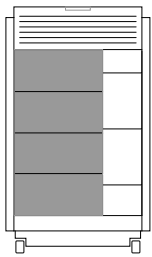
MLO-009817

**Figure 3 RZ-Series 3 1/2-Inch Fast SCSI Storage Assembly**

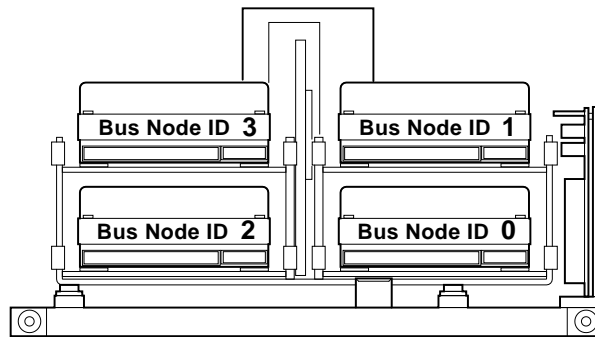


MLO-009428

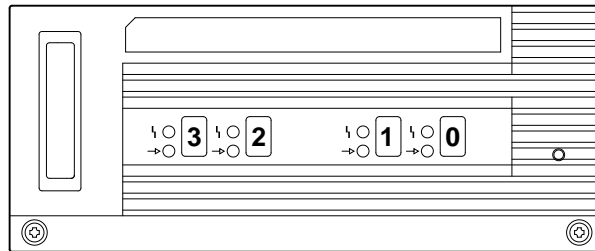
**Figure 4 RZ-Series 3 1/2-Inch Drive Selection**



**3 1/2-Inch Fixed-Media Storage Tray**



**Front Panel**



MLO-009819