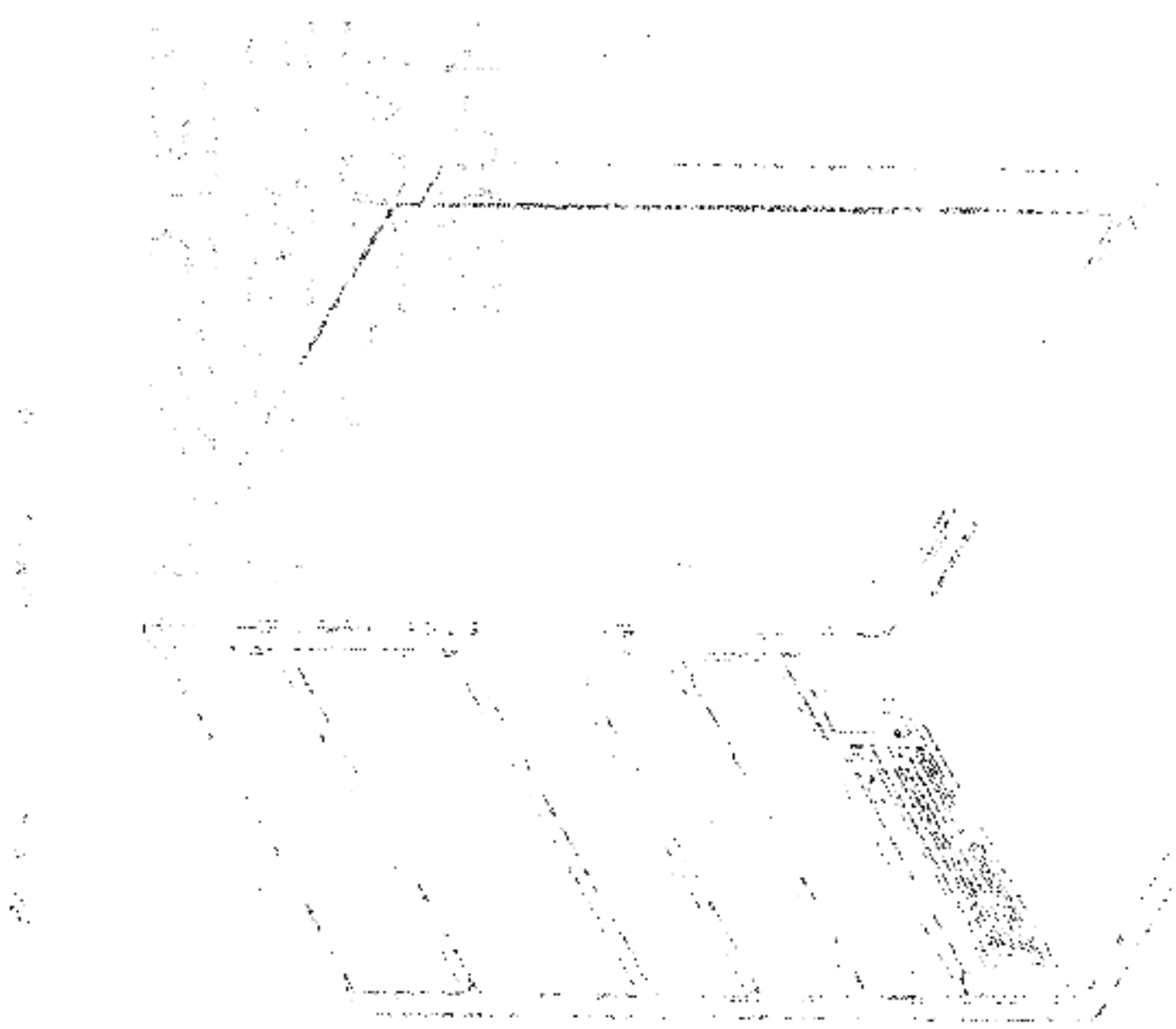


SECRET
NOFORN

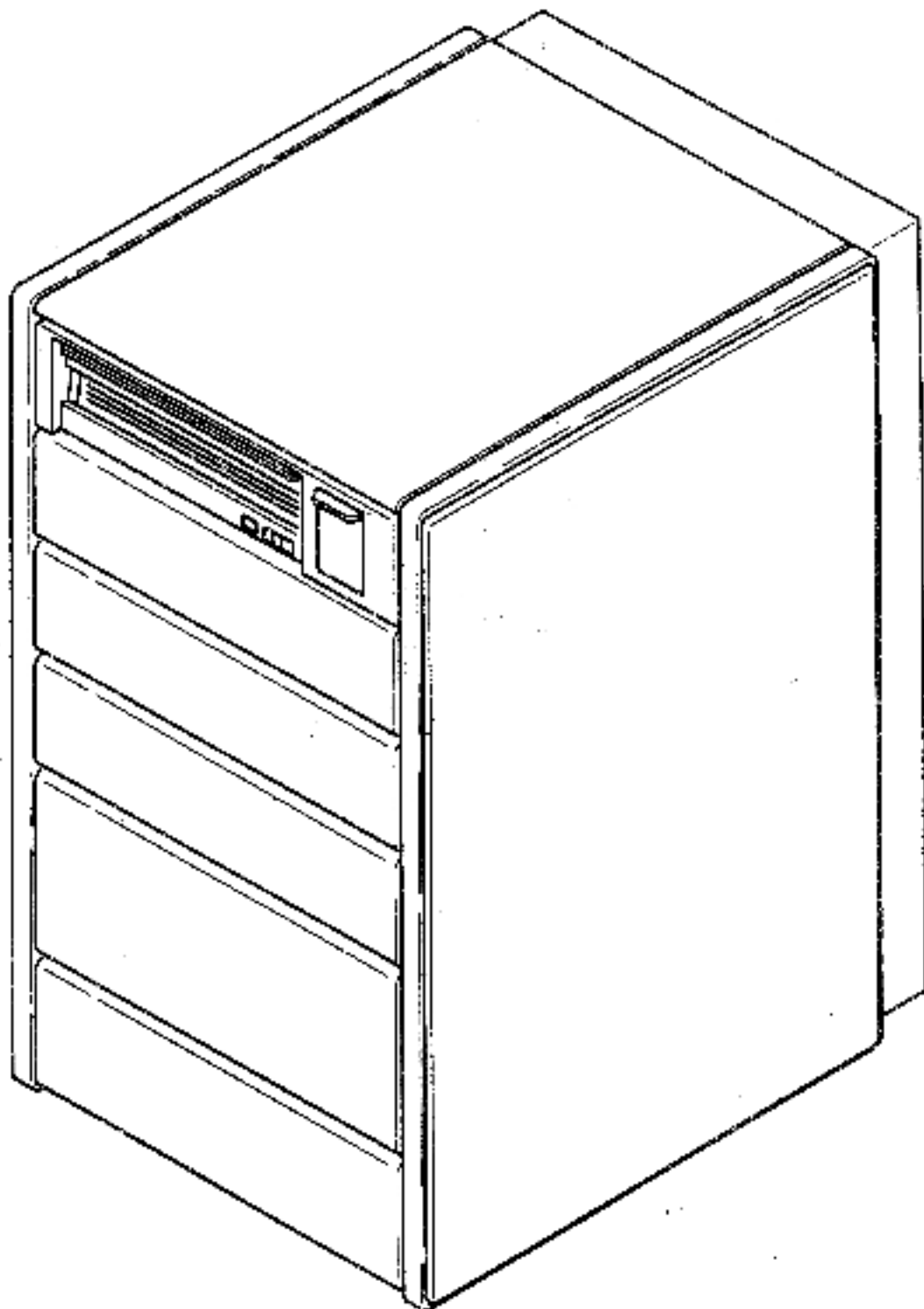
SECRET
NOFORN
NOFORN
NOFORN

**RV20-P
OPTICAL
DISK DRIVE
SUBSYSTEM**



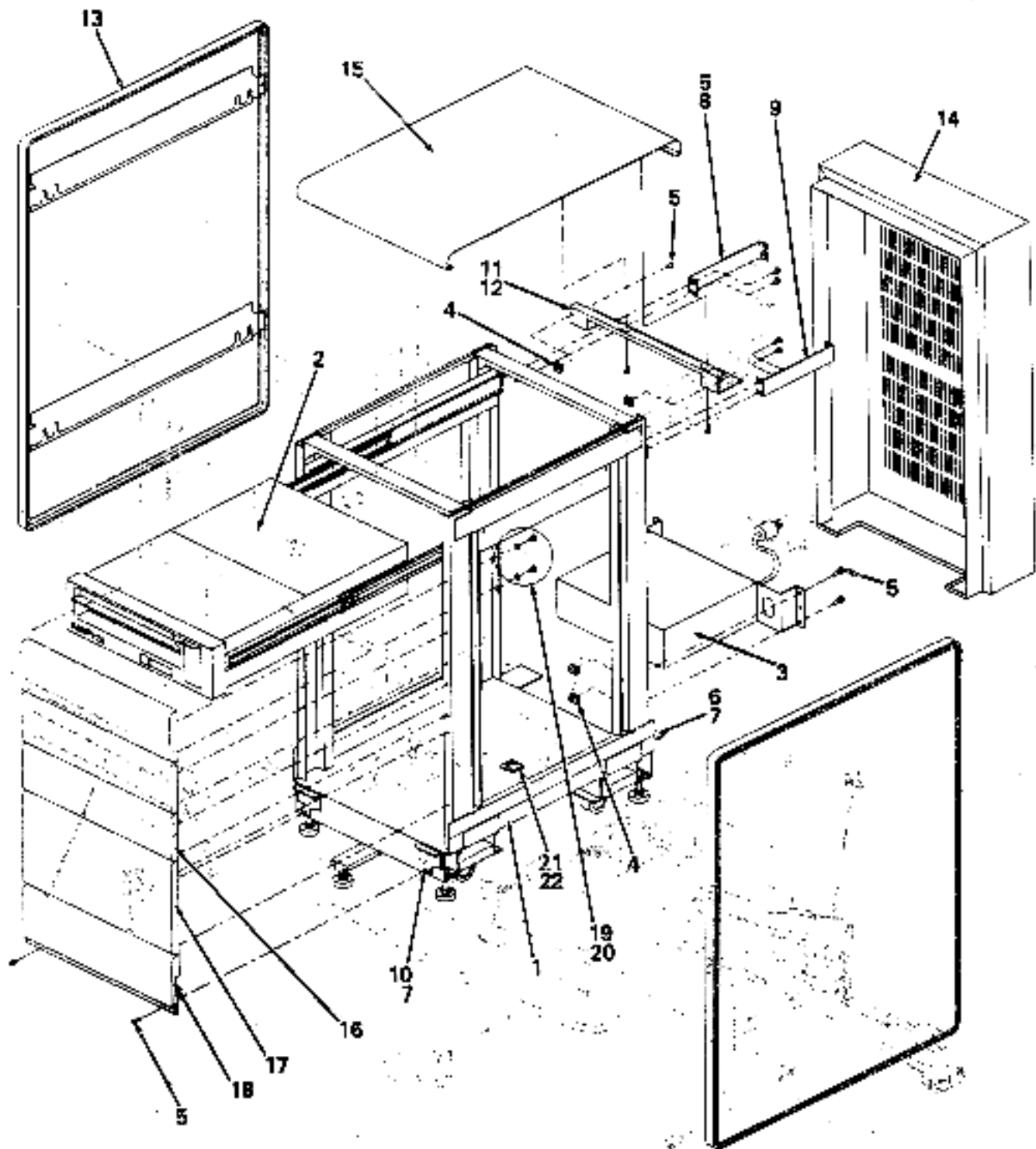
1954
1955

1956
1957
1958
1959
1960
1961
1962
1963
1964
1965
1966
1967
1968
1969
1970
1971
1972
1973
1974
1975
1976
1977
1978
1979
1980
1981
1982
1983
1984
1985
1986
1987
1988
1989
1990
1991
1992
1993
1994
1995
1996
1997
1998
1999
2000
2001
2002
2003
2004
2005
2006
2007
2008
2009
2010
2011
2012
2013
2014
2015
2016
2017
2018
2019
2020
2021
2022
2023
2024
2025
2026
2027
2028
2029
2030
2031
2032
2033
2034
2035
2036
2037
2038
2039
2040
2041
2042
2043
2044
2045
2046
2047
2048
2049
2050
2051
2052
2053
2054
2055
2056
2057
2058
2059
2060
2061
2062
2063
2064
2065
2066
2067
2068
2069
2070
2071
2072
2073
2074
2075
2076
2077
2078
2079
2080
2081
2082
2083
2084
2085
2086
2087
2088
2089
2090
2091
2092
2093
2094
2095
2096
2097
2098
2099
2100



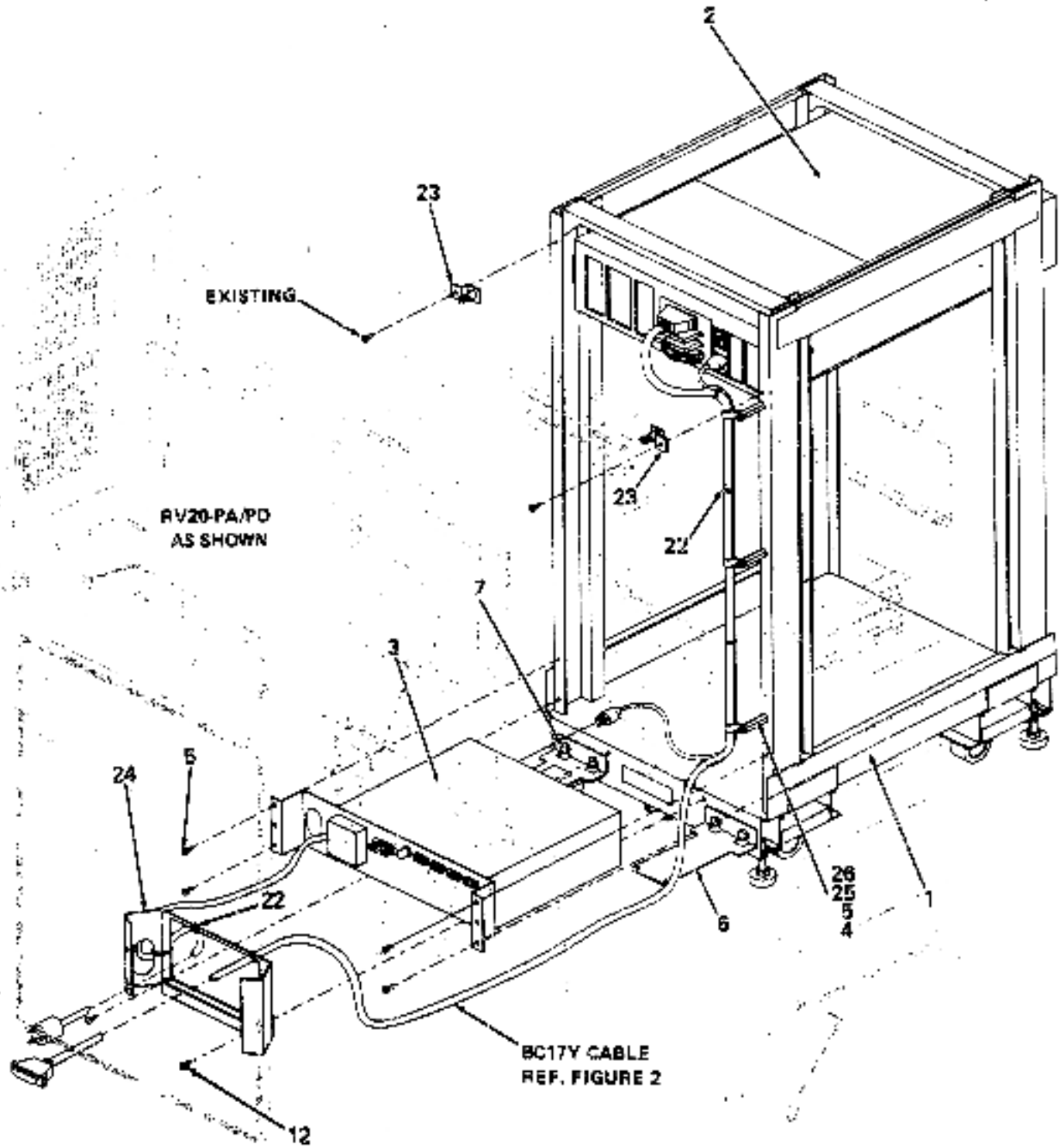
RV20P-01

Figure 1. RV20-P Optical Disk Drive Subsystem (Sheet 1 of 4)



RV20P-01A

Figure 1. RV20-P Optical Disk Drive Subsystem (Sheet 2 of 4)



410424 P

RV20P01B

Figure 1. RV20-P Optical Disk Drive Subsystem (Sheet 3 of 4)

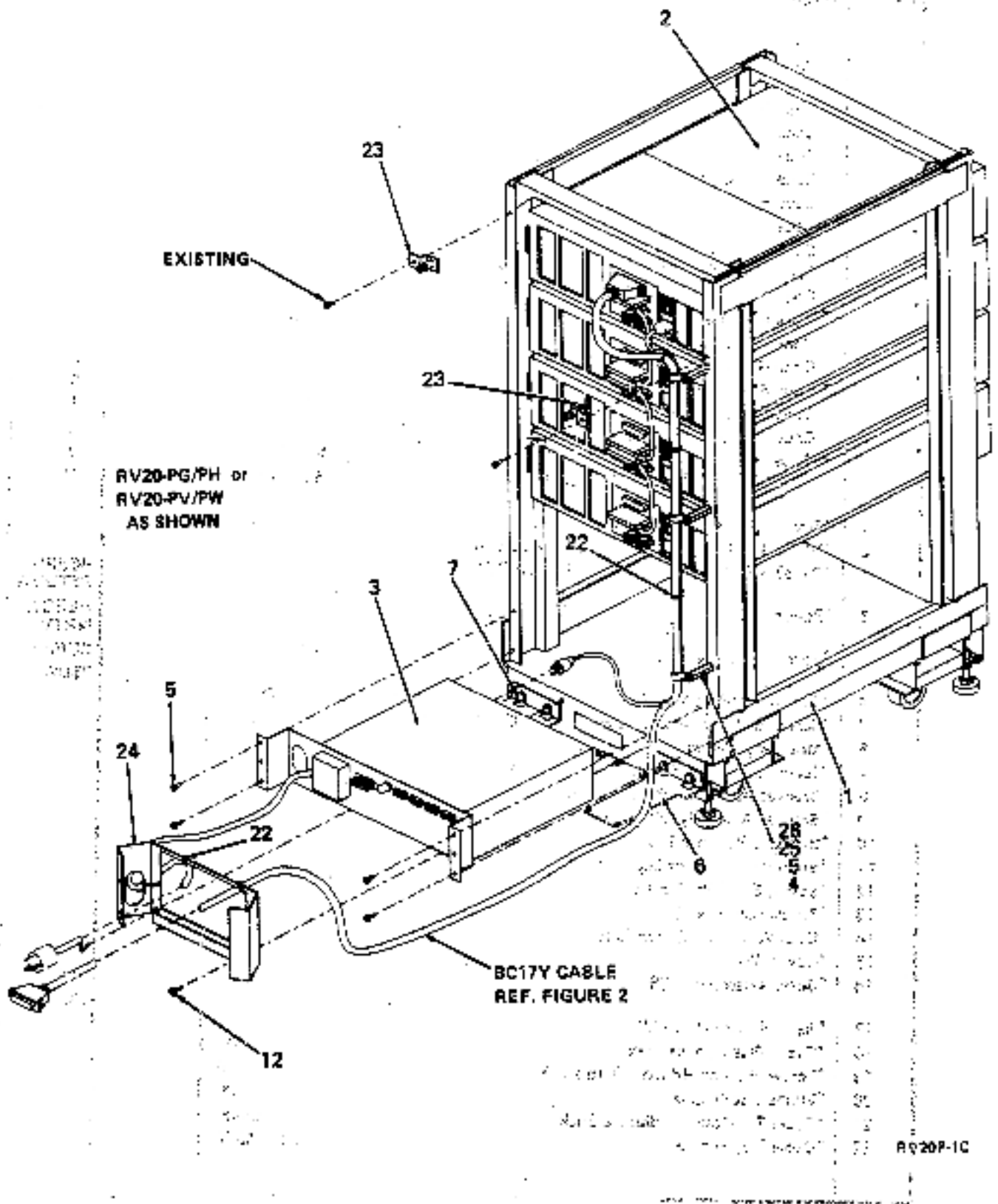


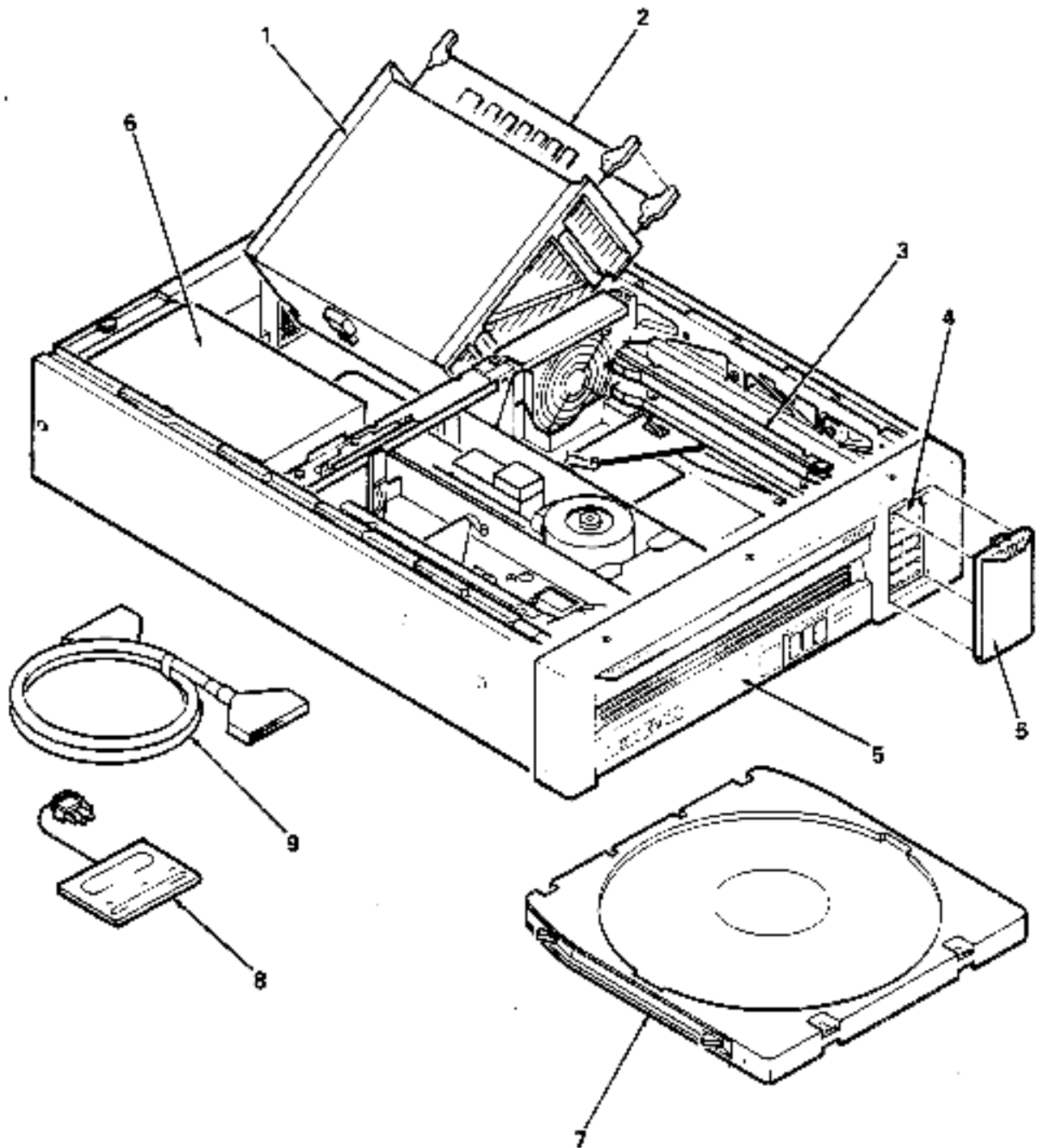
Figure 1. RV20-P Optical Disk Drive Subsystem (Sheet 4 of 4)

FIG. & ITEM NO.	DESCRIPTION	DEC PART. NO.	ECO CUT-IN RV20-P 00000	USED ON CODE	REF FIG NO.
1-	RV20-P OPTICAL DISK DRIVE SYSTEM				
	Code A - Used on Model RV20-PA	RV20-PA		A	
	Code B - Used on Model RV20-PB	RV20-PB		B	
	Code C - Used on Model RV20-PC	RV20-PC		C	
	Code D - Used on Model RV20-PD	RV20-PD		D	
	Code E - Used on Model RV20-PE	RV20-PE		E	
	Code F - Used on Model RV20-PF	RV20-PF		F	
	Code G - Used on Model RV20-PG	RV20-PG		G	
	Code H - Used on Model RV20-PH	RV20-PH		H	
	Code J - Used on Model RV20-PJ	RV20-PJ		J	
	Code K - Used on Model RV20-PK	RV20-PK		K	
	Code L - Used on Model RV20-PL	RV20-PL		L	
	Code M - Used on Model RV20-PM	RV20-PM		M	
	Code N - Used on Model RV20-PN	RV20-PN		N	
	Code P - Used on Model RV20-PP	RV20-PP		P	
	Code R - Used on Model RV20-PR	RV20-PR		R	
	Code S - Used on Model RV20-PS	RV20-PS		S	
	Code T - Used on Model RV20-PT	RV20-PT		T	
	Code U - Used on Model RV20-PU	RV20-PU		U	
	Code V - Used on Model RV20-PV	RV20-PV		V	
	Code W - Used on Model RV20-PW	RV20-PW		W	
1	*Frame, 40 Inch w/o Interlock	70-23213-02			
2	*RV20-A MASTER RACK MOUNTABLE DRIVE	30-27256-02			2
	*RV20-B SLAVE RACK MOUNTABLE DRIVE	30-27256-01		BCEFGH RSTUVW	2
3	*Power Controller, 60 Hz	H874-D		ABEGJL NRTV	
	*Power Controller, 50 Hz	H874-E		CDFHKM PSUW	
4	*Retainer, U-Nut No. 10-32	90-07788-00			
6	*Screw, Self-Tapping Truss Hd No. 10-32 x 1/2	90-00083-39			
6	*Mounting Weldment, Bustle Door	70-23121-01			
7	*Screw, Sems Hex Slot No. 1/4-20 x 3/4	90-09988-14			
8	*Bracket Assembly, Receptacle, Right	74-37240-01			
9	*Bracket Assembly, Receptacle, Left	74-37240-02			
10	*Bracket, Retainer Trim	74-21903-00			
11	*Bracket, Rear Vent Support	74-22244-00			
12	*Screw, Sems Phi Pan Hd No. 10-32 x 5/8	12-21368-02			
13	*Panel Assembly, End	70-22137-01			
14	*Door Assembly, Bustle (3 Hi Cab)	70-22472-02			
15	*Cover, Top	H9544-LA			
16	*Bezel Assembly, 5.25"	70-23906-01		ABCDEF JKLMRS	
17	*Bezel Assembly, 10.5"	70-23906-04			
18	*Bezel, Plastic, Kick-Plate	74-33261-01			
19	*Screw, Phi Pan Hd No. 10-18 x 5/8	90-08673-00			
20	*Washer, Split Lock	90-07906-00			
21	*Cable Tie Mount, Adhesive Back	90-08264-00			
22	*Cable Tie, Bundle	90-07032-00			

FIG. & ITEM NO.	DESCRIPTION	DEC PART NO.	ECO CUT-IN RV20-P 00000	USED ON CODE	REF FIG NO.
1-					
23	*Bracket, Chassis Assembly	70-23619-01			
24	*Bracket, SDI Interface	74-32006-01			
25	*Standoff, Male/Female No. 10-32 x 2	90-00001-22			
26	*Cable Clamp, Screw Mounted	90-07088-00			
27	*Screw, Semi Hex Slot No. 10-32 x 1/2	90-09988-06			
	<p style="text-align: center;">LABELS (Not Shown)</p>				
	*Label, "Serial/Power, Made in USA"	36-17674-01			
	*Label, "FCC, Class A, Peripheral"	36-17880-03			
	*Label, "Caution, Stability RAB1"	36-20664-01			

**RV20-A/B
OPTICAL
DISK DRIVE**

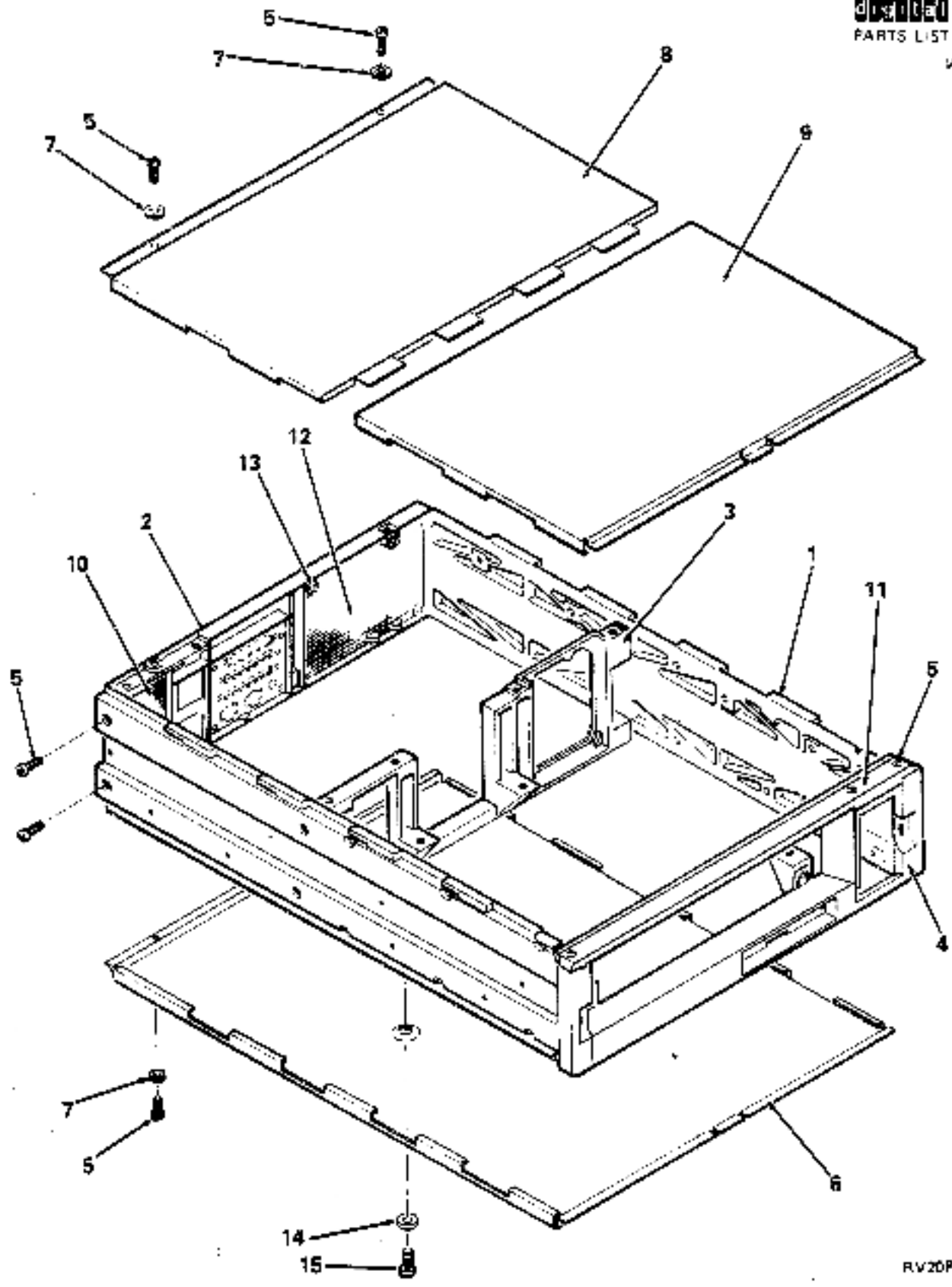
1000



RV20P-02

Figure 2. RV20 Optical Disk Drive System—Major Assembly Locator

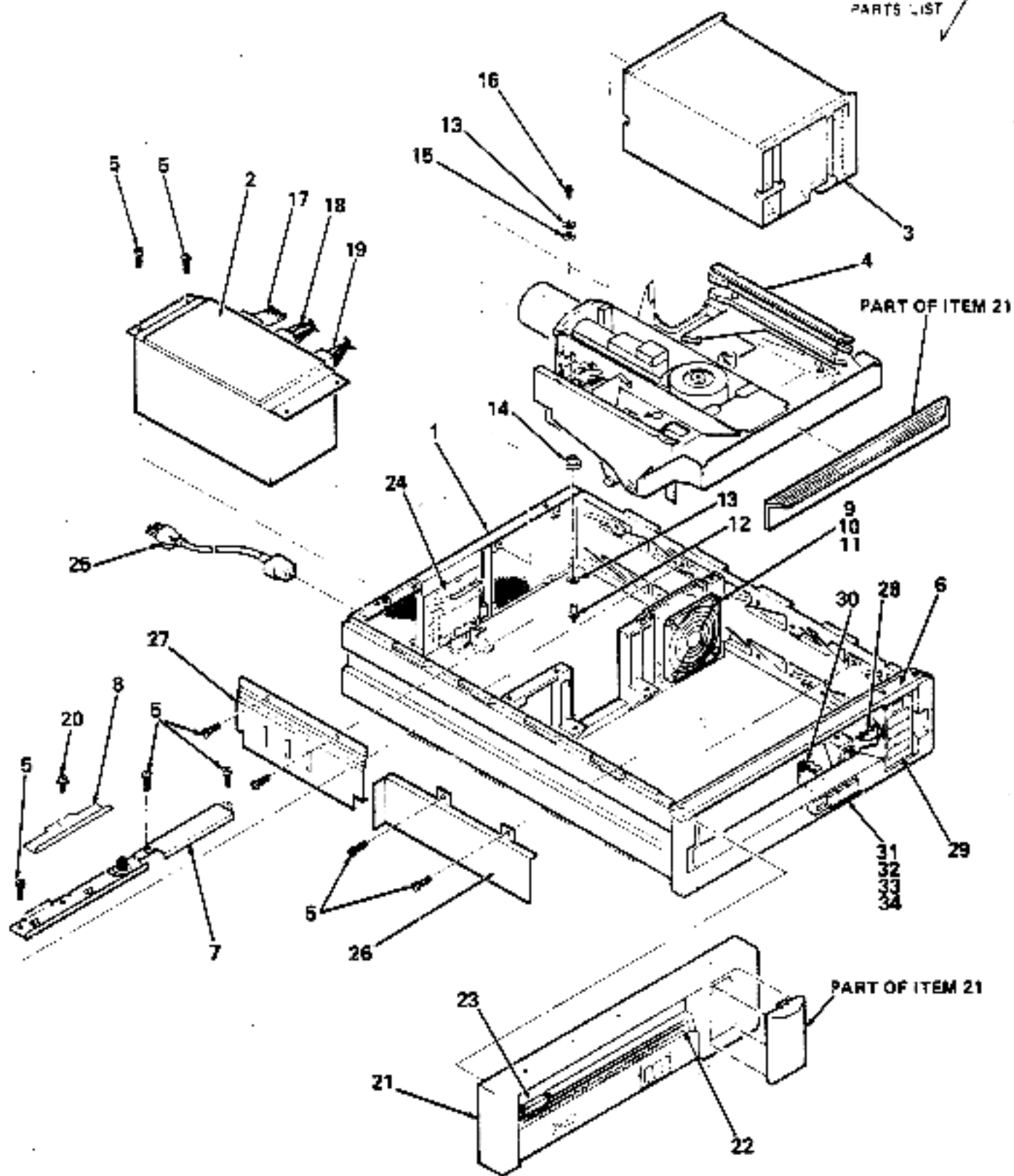
FIG. & ITEM NO.	DESCRIPTION	VENDOR PART NO.	DEC PART NO.	ECO CUT-IN RV20-P 00000	USED ON CODE	REF FIG NO.
2-	RV20 OPTICAL DISK DRIVE - MAJOR ASSEMBLY LOCATOR					
	RV20-A SINGLE MASTER DISK SUBSYSTEM, 50/60 Hz		RV20-A			
	RV20-B SINGLE SLAVE DISK SUBSYSTEM 50/60 Hz		RV20-B		BCEFGH RSTUVW	
1	*CARD RACK ASSEMBLY	75112015	_____			4,6
2	*Printed Circuit Assemblies	_____	_____			
3	*BASEPLATE ASSEMBLY	75115027	_____			4,6
4	*Maintenance Panel Assembly	_____	29-26434-00			4
5	*BEZEL ASSEMBLY, FRONT	75115248	_____			4,6
6	*Power Supply Assembly, DC	_____	28-26430-00			4
	ACCESSORIES					
7	*Optical Media Cartridge, IRV02K-011	75110002	30-27882-02			
8	*Terminator Assembly (ISI)	_____	29-26458-00			
9	*Cable, ISI Interface, 7'	_____	29-TBA - -	29-26800-00		
10	*Cable, LESI (Not Shown)	_____	BC17Y-20			



RV20P-03

Figure 3. Chassis Assembly

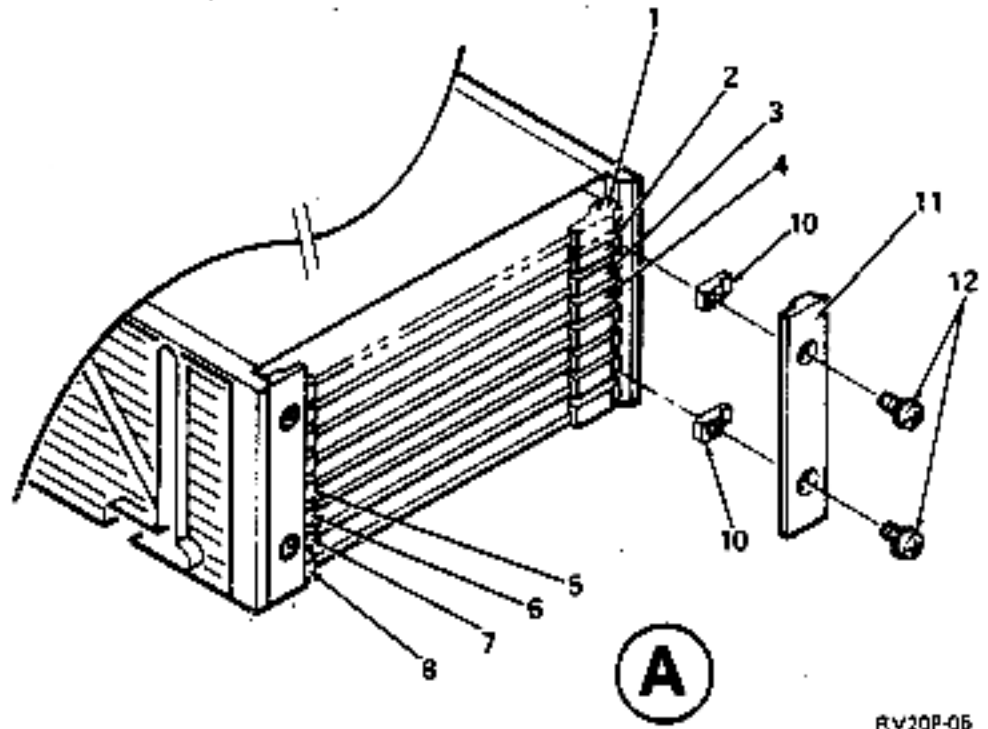
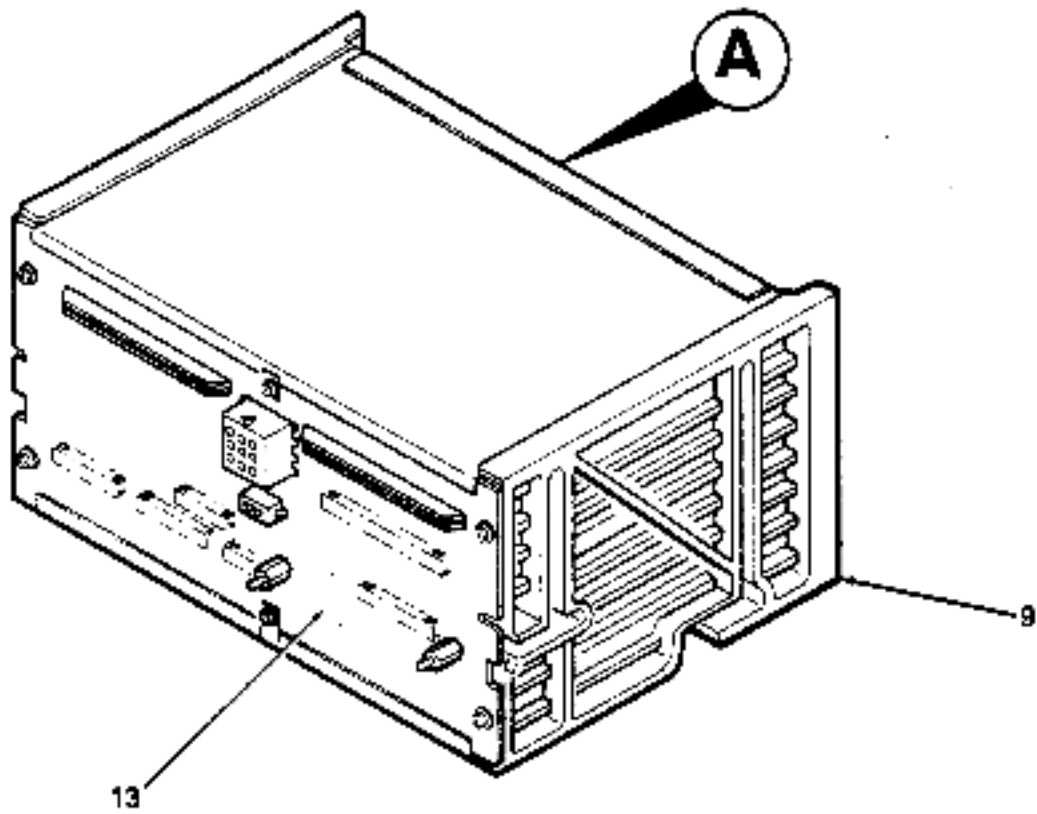
FIG. & ITEM NO.	DESCRIPTION	VENDOR PART NO.	DEC PART NO.	ECO CUT-IN	USED ON CODE	REF FIG NO.
3--	CHASSIS ASSEMBLY					
1	*Chassis, Side	75114337	_____			
2	*Chassis, Rear	75114333	_____			
3	*Chassis, Intermediate	75114335	_____			
4	*Chassis, Front	75114331	_____			
5	*Screw, Metric Pan Hd M4-10	75118161	_____			
6	*Chassis, Bottom Cover	75112000	_____			
7	*Washer, Lock, Dome	15424292	_____			
8	*Cover, Top Rear	75112001	_____			
9	*Cover, Top Front	75112002	_____			
10	*Screen, Left	75112055	_____			
11	*Stiffener, Front Member	93530790	_____			
12	*Screen, Right	75112054	_____			
13	*Nut, Push On, .125 Dia Snd	93639003	_____			
14	*Washer,	TBA	_____			
15	*Screw,	TBA	_____			



RV20P-04

Figure 4. Unit Assembly

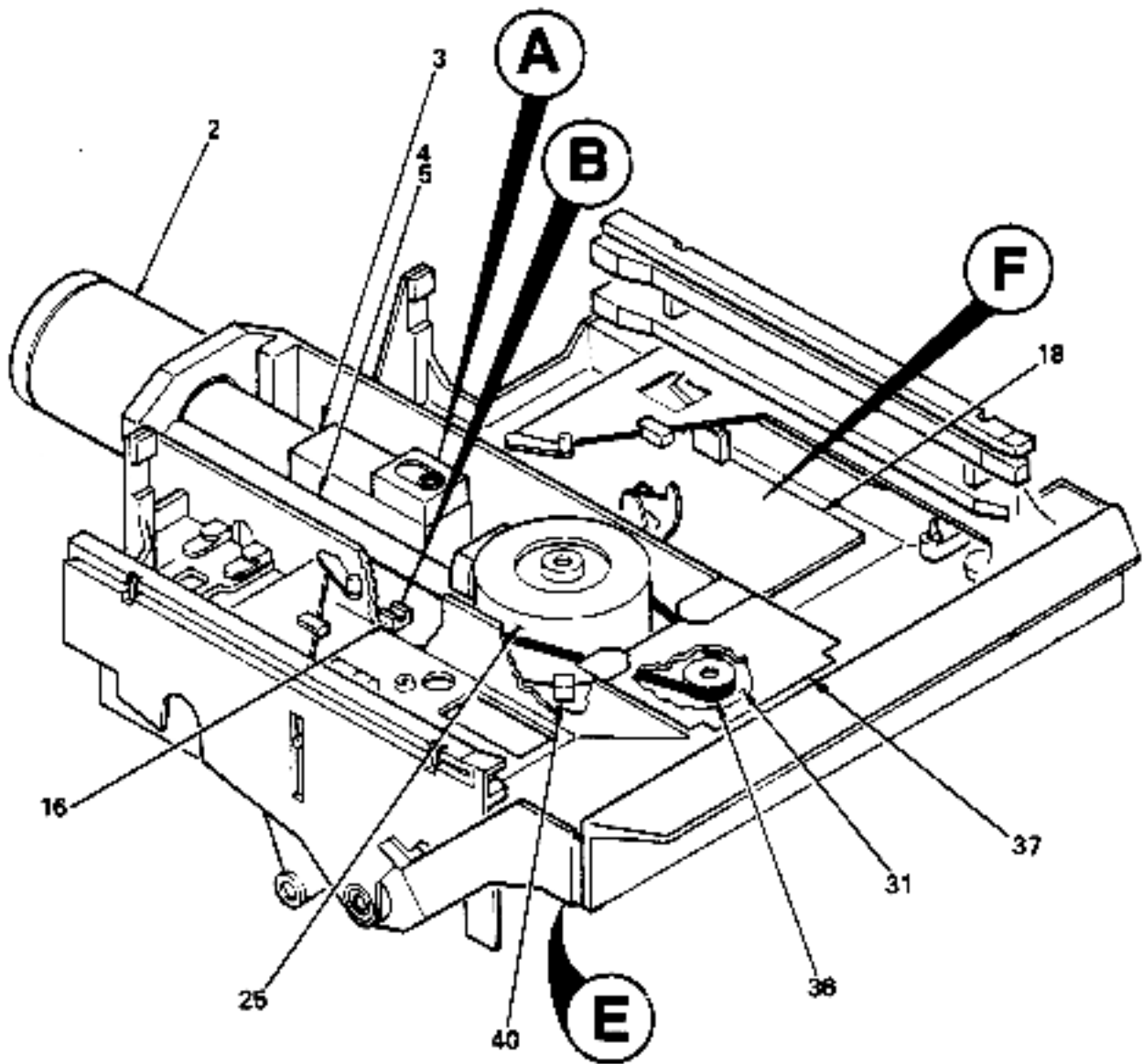
FIG. & ITEM NO.	DESCRIPTION	VENDOR PART NO.	DEC PART NO.	ECO CUT-IN	USED ON CODE	REF FIG NO.
←	UNIT ASSEMBLY, 60 Hz, 80 Hz					
1	*Chassis Assembly	75116028	_____			
2	*Power Supply Assembly, DC		29-26430-00			
3	*CARD RACK ASSEMBLY	75112015	_____			5
4	*BASEPLATE ASSEMBLY	75115027	_____			8
5	*Screw, Pan Hd, Lock, M4-8	75119159	_____			
6	*Stiffener, Front Member	75114338	_____			
7	*Stiffener, Intrndt Member	75112060	_____			
8	*Bracket, Cable Hold	75112051	_____			
9	*Fan Assembly, Tube Axial DC		29-26455-00			
10	*Retainer, Fan	75110941	_____			
11	*Nut, Hex, M4 x 12	75119161	_____			
12	*Spacer, Shock Mount	75111155	_____			
13	*Washer, Snubbing	75110049	_____			
14	*Mount, Resilient	16423738	_____			
15	*Mount, Resilient	16423738	_____			
16	*Screw, Washer M4-10	16429160	_____			
17	*Cable, Power Supply Signal		29-26443-00			
18	*Harness, Power Supply Voltage		29-26442-00			
19	*Cable, Internal Power Assembly	75115034	_____			
20	*Screw, Pan Hd Star Washer M4-10	75119122	_____			
21	*BEZEL ASSEMBLY, FRONT (See Note)	75115248	_____			8
22	**Filter, Grill		29-26454-00			
23	**Filter, Air 30 PPI		29-26448-00			
24	*I/O PANEL ASSEMBLY		29-26461-00			7
25	*Cable, Main Power		29-26448-00			
26	*Trough, Front Cable	75112043	_____			
27	*Trough, Rear Cable	75115229	_____			
28	*Cable, Maintenance Panel	75110770	_____			
29	*Maintenance Panel Assembly		29-26434-00			
30	*Cable, Operator Panel		29-26441-00			
31	*PCA, Operator Panel		29-26438-00			
32	*Lens, "Start/Stop"		29-26452-00			
33	*Lens, "Write/Protect"		29-26453-00			
34	*Lens, "Power Indicator"		TBA			



RV20P-05

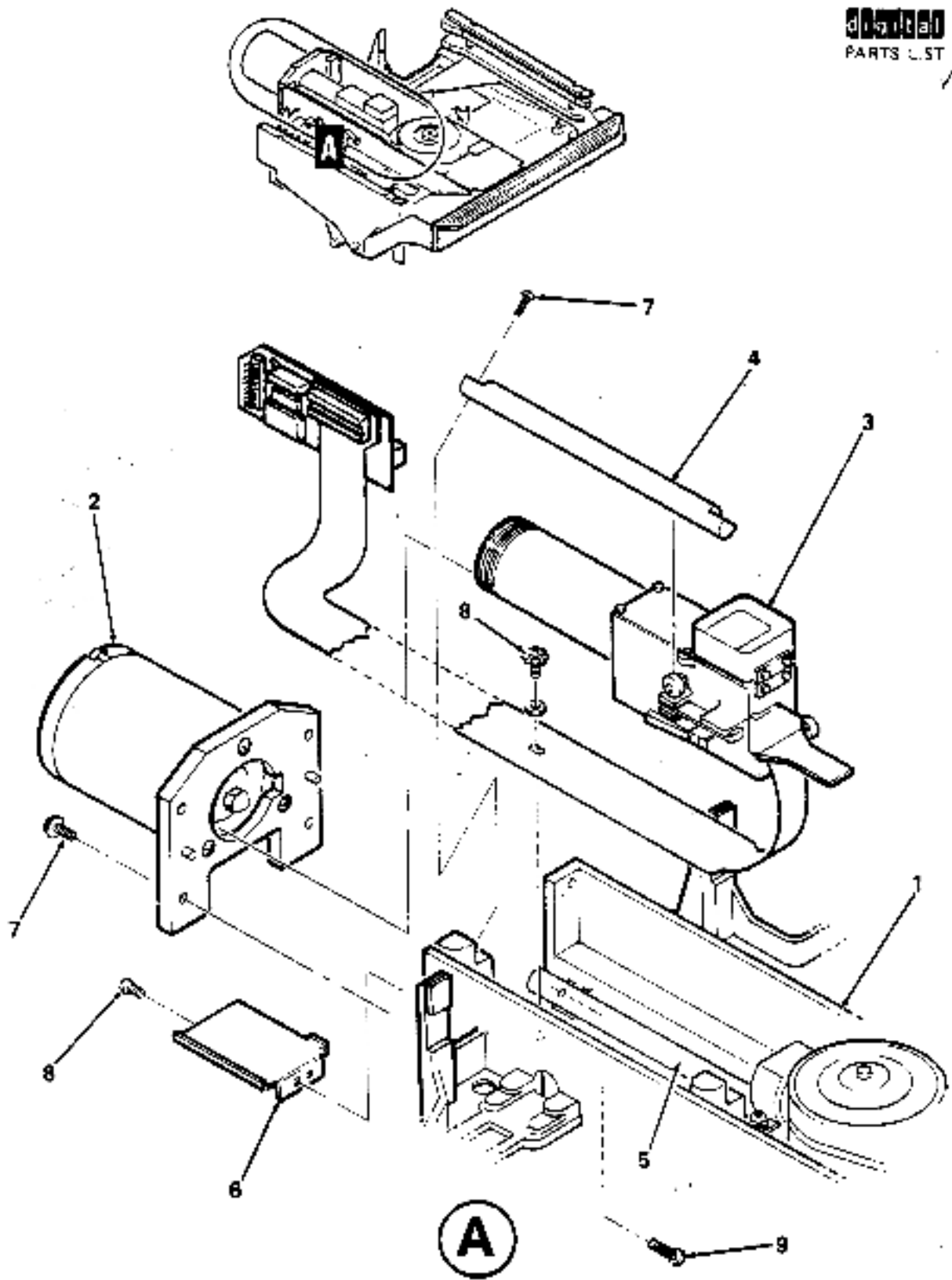
Figure 5. Card Rack Assembly

FIG. & ITEM NO.	DESCRIPTION	VENDOR PART NO.	DEC PART NO.	ECO CUT-IN	USED ON CODE	REF FIG NO.
5-	CARD RACK ASSEMBLY					
1	*PCA, DRIVE SUBSYSTEM Controller RV20A	_____	29-26459-00		A	
2	*PCA, ECC	_____	29-26429-00			
3	*PCA, ISI	_____	29-26427-00			
4	*PCA, Servo/Drive Control	_____	29-26435-00			
5	*PCA, Modulator Demodulator Synchronizer	_____	29-26438-00			
6	*PCA, Read/Write Control	_____	29-26428-00			
7	*PCA, Servo Systems	_____	29-26437-00			
8	*PCA, Error Signal Generator	_____	29-26436-00			
9	*CARD RACK ASSEMBLY	75112016	_____			
10	*Plate, Nut	75111336	_____			
11	*Plate, Bar	75111281	_____			
12	*Screw, Metric Mach Hd w/ Spl-1 Washer	75110936	_____			
13	*PCA, Backplane	_____	29-26480-00			



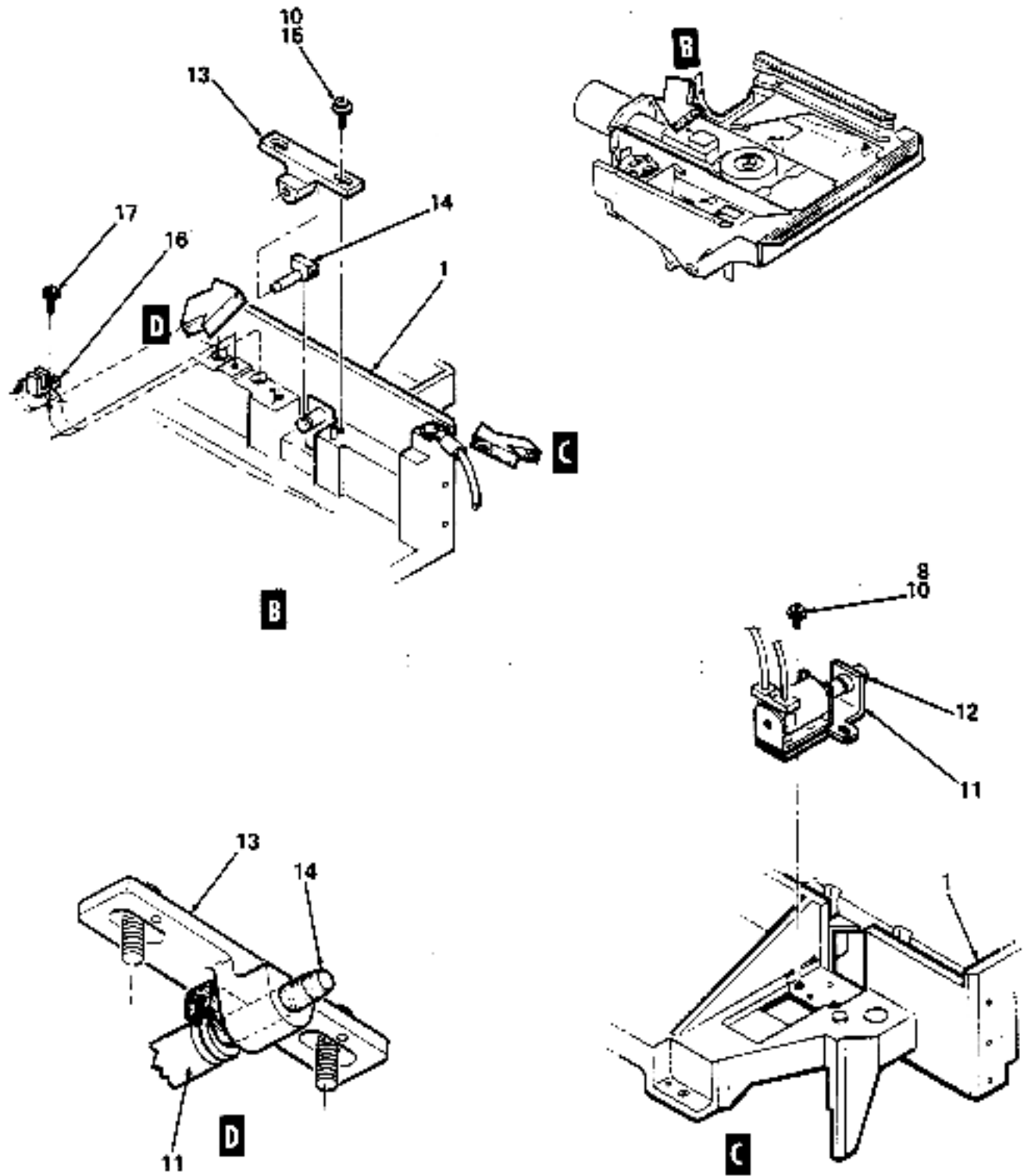
RV20P-08

Figure 6. Baseplate Assembly (Sheet 1 of 7)



RV20P-08A

Figure 6. Baseplate Assembly (Sheet 2 of 7)



RV20P-06B

Figure 6. Baseplate Assembly (Sheet 3 of 7)

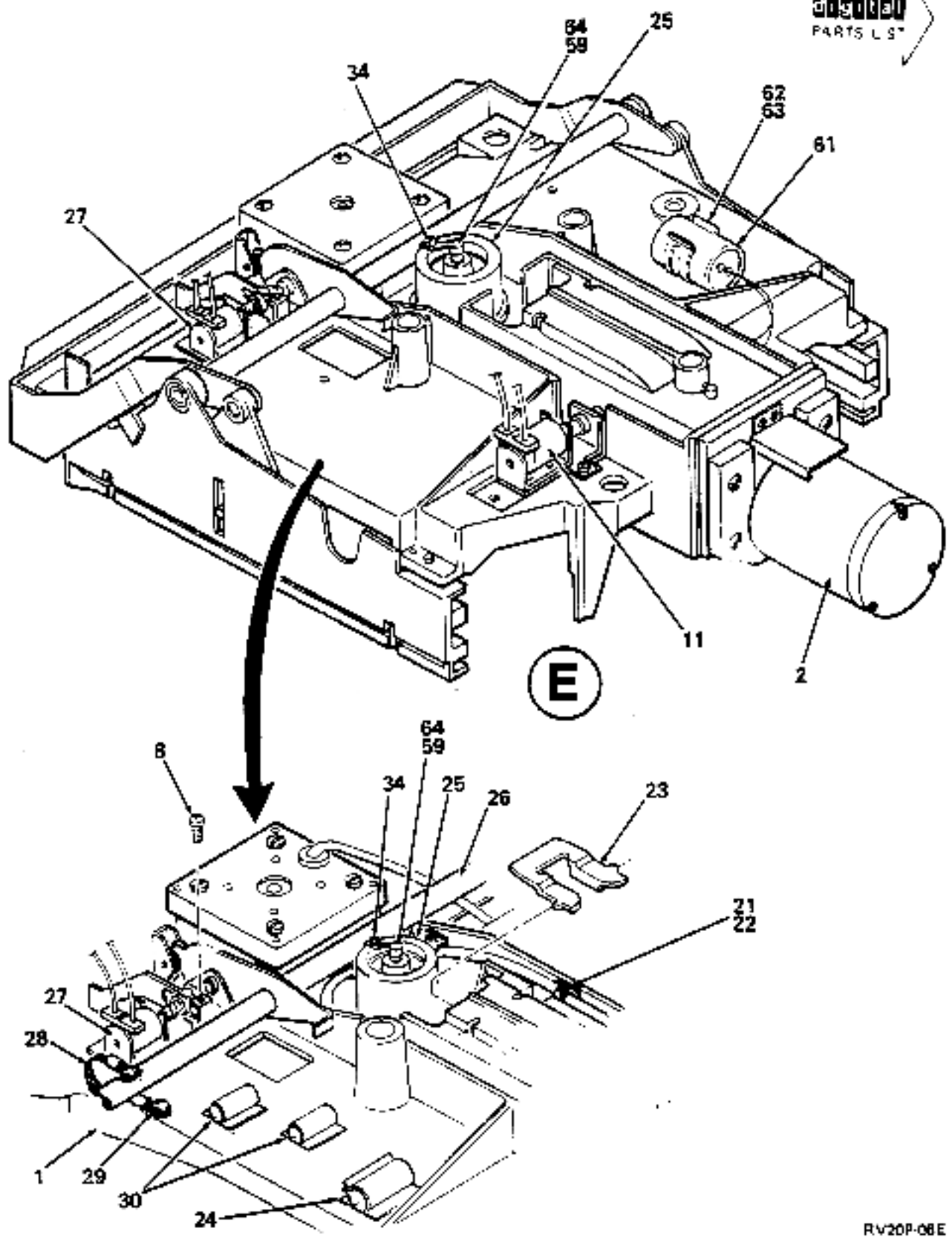
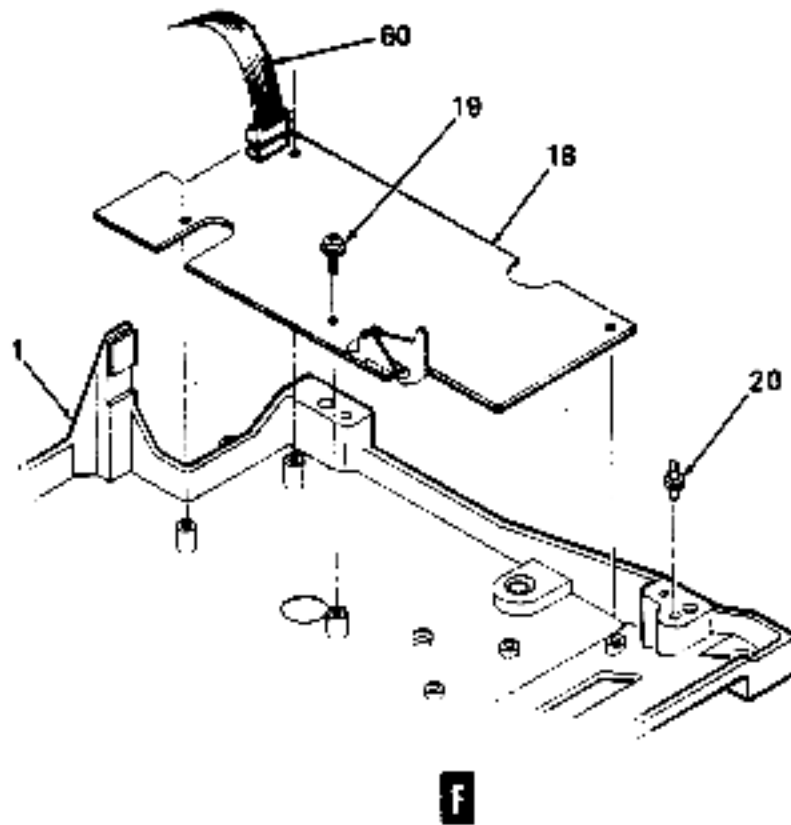
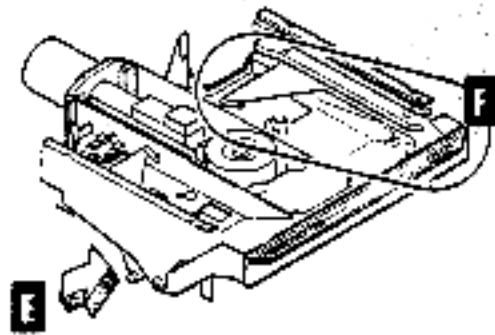


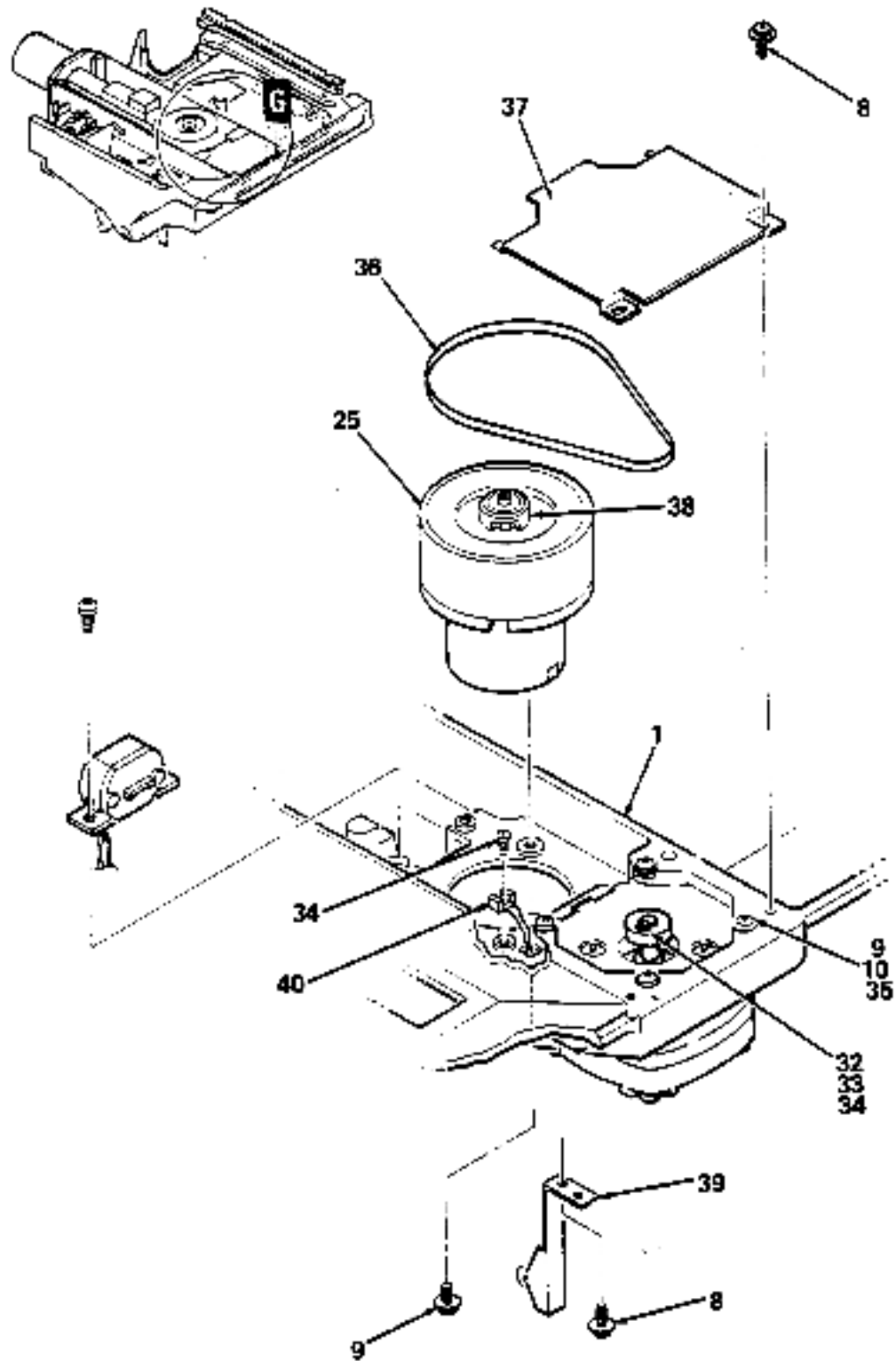
Figure 6. Baseplate Assembly (Sheet 4 of 7)

RV20P-08E



RV20P-06F

Figure 6. Baseplate Assembly (Sheet 5 of 7)



RV20P-08G

Figure 6. Baseplate Assembly (Sheet 6 of 7)

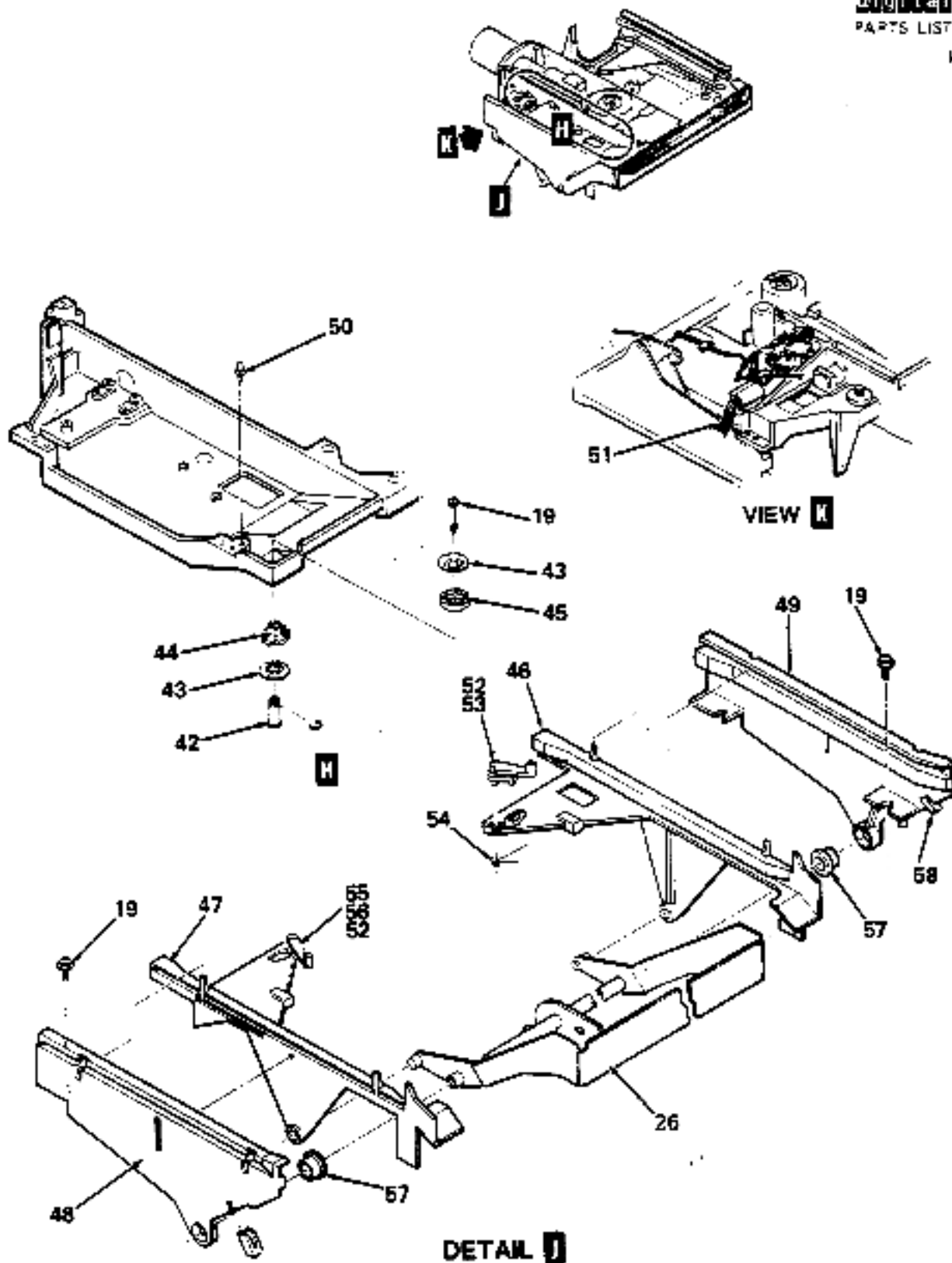
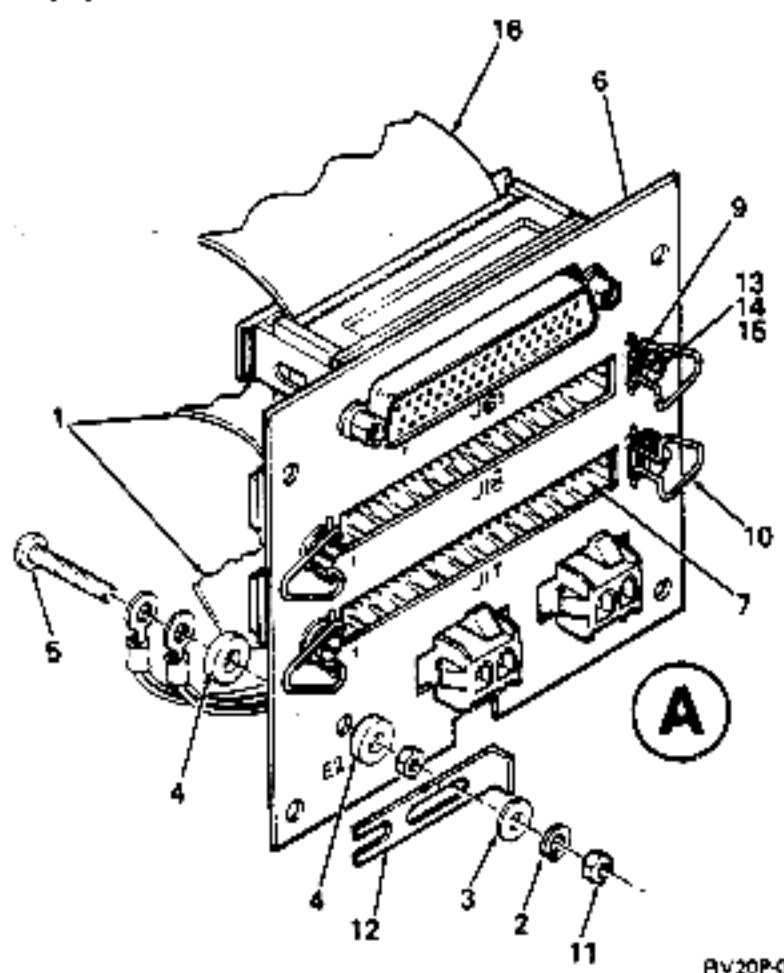
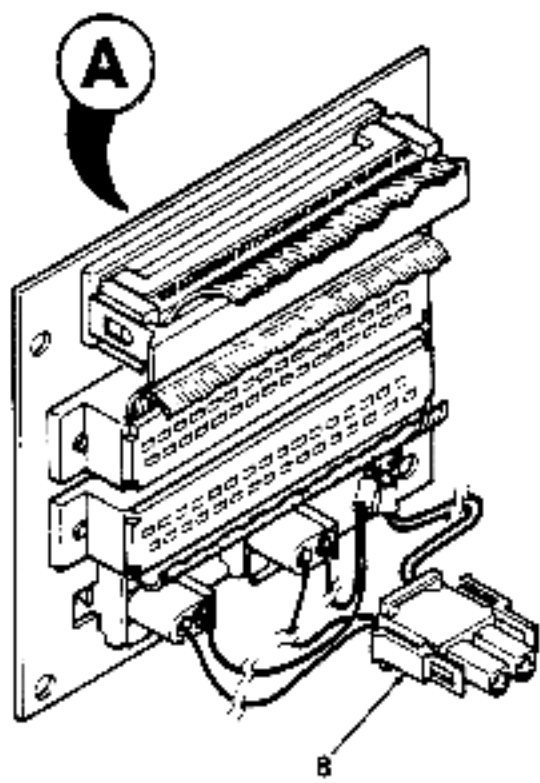


Figure 6. Baseplate Assembly (Sheet 7 of 7)

RV20P-06J

FIG. & ITEM NO.	DESCRIPTION	VENDOR PART NO.	DEC PART NO.	ECO CUT-IN	USED ON CODE	REF FIG NO.
6-	BASEPLATE ASSEMBLY					
1	*Baseplate	75114341	_____			
2	*Magnet Motor Positioner Assembly	75111102	_____			
3	*Carriage Assembly	_____	29-26426-00			
4	*Rail, Upper Carriage Guide	75110802	_____			
5	*Rail, Lower Carriage Guide	75110803	_____			
6	*Trough, Flex Cable	75110812	_____			
7	*Screw, Pan Hd Lock M4-12	75118181	_____			
8	*Screw, Pan Hd Lock M4-8	75118189	_____			
9	*Screw, Pan Hd Lock M4-16	75118182	_____			
10	*Washer, Flat M4	91976616	_____			
11	*Carriage Interlock Assembly	_____	29-26469-00			
12	*Spacer, Sleeve	75114379	_____			
13	*Plunger, Tip Mount Carriage Interlock	75114382	_____			
14	*Plunger, Tip Carriage Interlock	75114380	_____			
15	*Screw Lock Washer Assembly Pan M4-10	15429189	_____			
16	*Guardband Sensor Assembly	_____	29-26433-00			
17	*Screw, Pan Hd Washer M2-8	15423384	_____			
18	*PCA, Baseplate Terminator (ISI)	75116011	29-26457-00			
19	*Screw Assembly, Washer Pan Hd M4-10	75119160	_____			
20	*Pin, Cartridge Guide	75111047	_____			
21	*Clamp, Plate Mounting Loop	15424310	_____			
22	*Tie Strap, Electrical	94277400	_____			
23	*Support, Flex Cable	75110843	_____			
24	*Clamp Loop	15423715	_____			
25	*Spindle Assembly	_____	28-26425-00			
26	*Torque Tube Assembly	75111287	_____			
27	*Door Lock Solenoid Assembly	_____	28-26456-00			
28	*Cable, Ground Strap	75111064	_____			
29	*Screw, Pan Hd Starwasher M4-10	75119122	_____			
30	*Clamp Loop	15423720	_____			
31	*Motor Assembly, Spindle DC	_____	29-26431-00			
32	*Pulley, DC Motor, 80 Hz	_____	29-26447-00			
33	*Pulley Insert	75112019	_____			
34	*Screw, Pan Hd Lock M2-6	15423061	_____			
35	*Washer, Shouldered, Non-Metal	15423648	_____			
36	*Belt, Spindle Pulley Flat	_____	29-26424-00			
37	*Cover, Motor	75110804	_____			
38	*Adapter Hub	_____	29-26451-00			
39	*Door Detent Assembly	75110867	_____			
40	*Tachometer Sensor Assembly	_____	29-26432-00			
41	*Screw, Pan Hd Lock M4-8	75119159	_____			
42	*Spacer, Shock Mount	75111155	_____			
43	*Washer, Snubbing	75110049	_____			
44	*Mount Resilient	15423738	_____			
45	*Mount Resilient	15423739	_____			
46	*Guide Assembly, Right Lower Cartridge	75111398	_____			
47	*Guide Assembly, Left Lower Cartridge	75111397	_____			
48	*Guide, Left Upper Cartridge	75111109	_____			
48	*Guide, Right Upper Cartridge	75111107	_____			

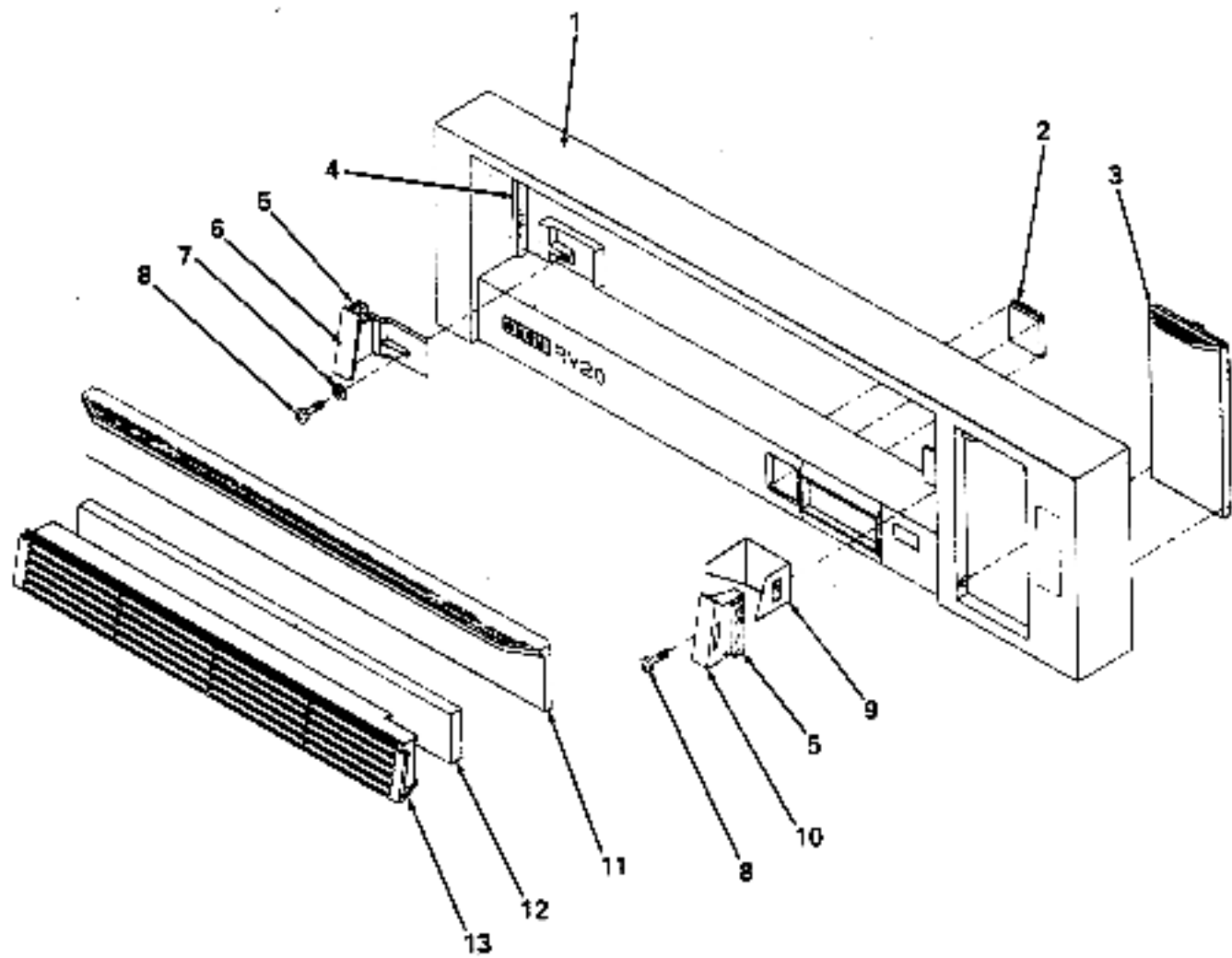
FIG. & ITEM NO.	DESCRIPTION		DEC PART NO.	ECO CUT-IN	USED ON CODE	REF FIG NO.
6-						
50	*Pin, Cartridge Locating	75111046	_____			
51	*Cable Assembly, Internal Power	75115034	_____			
52	*Link Roller	75111334	_____			
53	*Link, Cartridge Door Right	75111332	_____			
54	*Spring, Door Link, Right	75111393	_____			
55	*Spring, Door Link, Left	75111392	_____			
56	*Link, Cartridge Door Left	75111333	_____			
57	*Bushing, Pivot	75110608	_____			
58	*Bumper, Right Upper Cartridge Guide	75110934	_____			
59	*Brush, Spindle Grounding	_____	29-28476-00			
60	*Cable, Terminator Signal (P21)	_____	29-28445-00			
61	*Capacitor, Retract	75115228	_____			
62	*Screw, M3 x 0.5	15423434	_____			
63	*Clamp, Capacitor	92486006	_____			
64	*Bearing, Spindle	_____	29-28440-00			



RV20P-07

Figure 7. I/O Panel Assembly

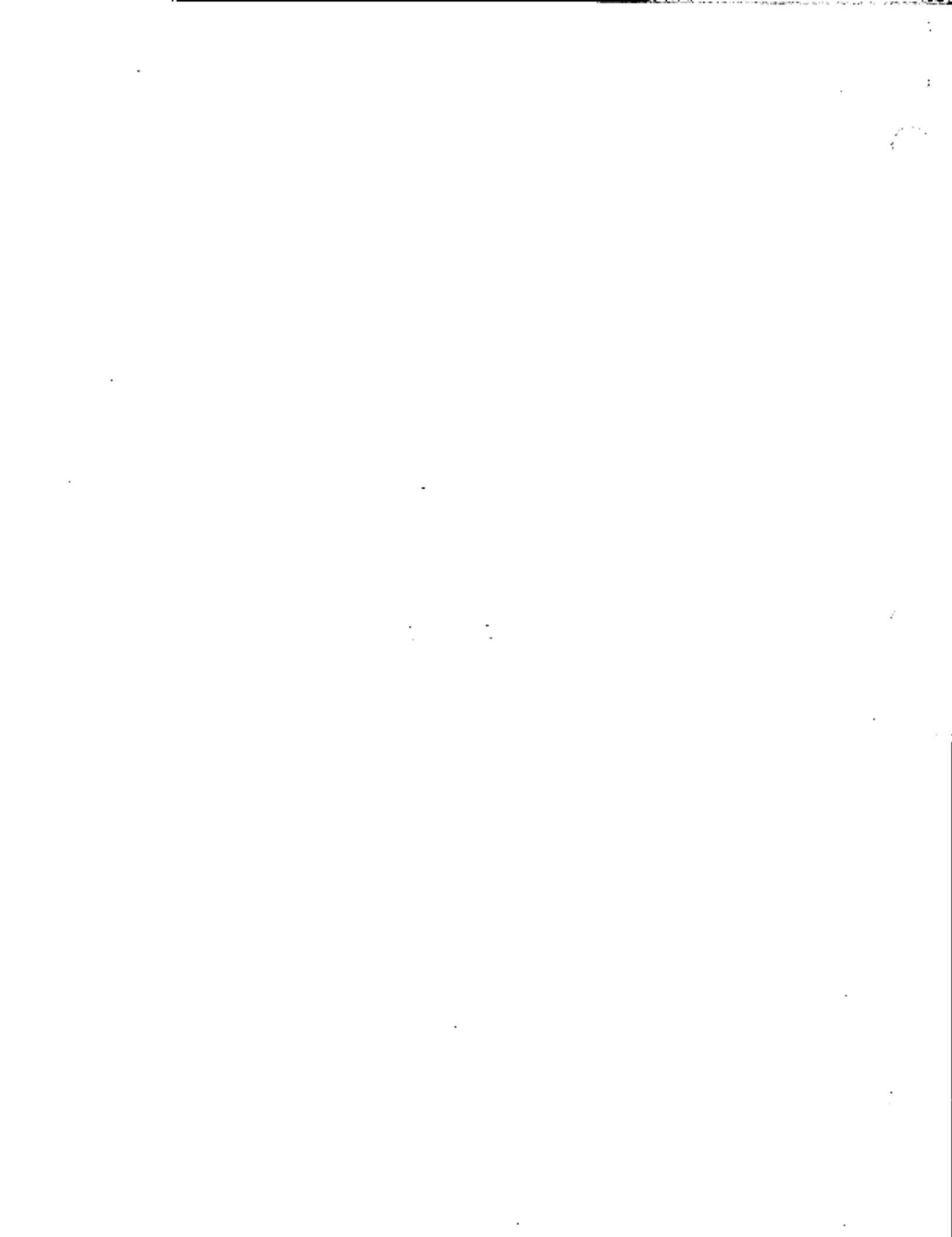
FIG. & ITEM NO.	DESCRIPTION	VENDOR PART NO.	DEC PART NO.	ECO CUT-IN	USED ON CODE	REF FIG NO.
7-	I/O PANEL ASSEMBLY	_____	29-26481-00			4
1	*Cable Assembly, Internal I/O	_____	29-26482-00			
2	*Washer, Split Lock M4	91975891	_____			
3	*Washer, Flat M4	91975816	_____			
4	*Washer, Shouldered Non-metal	16423648	_____			
5	*Screw, Pan Hd Machine M4-20	91978749	_____			
6	*Panel, I/O Std	75114579	_____			
7	*Plate, Electrical Shield	16423871	_____			
8	*Harness Assembly, Terminator	_____	29-26444-00			
9	*Bracket	75118837	_____			
10	*Bail	75118839	_____			
11	*Nut, Plain Hexagon M4	91975740	_____			
12	*Ground Strap, Rear Panel External	_____	29-26450-00			
13	*Screw, Pan Hd No. 4-40 x 3/8	91743086	_____			
14	*Washer, Lock Spring No. 4	93226203	_____			
15	*Washer, Flat No. 4	09027903	_____			
16	*Cable, LESI	_____	29-26483-00			



RV20P-08

Figure 8. Bezel Assembly, Front

FIG. & ITEM NO.	DESCRIPTION	VENDOR PART NO.	DEC PART NO.	ECO CUT-IN	USED ON CODE	REF FIG NO.
8-	BEZEL ASSEMBLY, FRONT	75115248	_____			2,4
1	*Bezel, Front	75114986	_____			
2	*Lens, Front Bezel	75114634	_____			
3	*Door, Bezel	75114997	_____			
4	*Seal, Clad Urethane Foam	75115486	_____			
5	*Seal, Clad Urethane Foam	75115485	_____			
6	*Retainer, Filter Grill	75115365	_____			
7	*Washer, Flat Metric	15423191	_____			
8	*Screw, Captive	75110942	_____			
9	*Spring, Filter Grill	75110937	_____			
10	*Latch, Filter Grill	75116375	_____			
11	*Cover, Door Handle	75115304	_____			
12	*Filter, Air 30PPI	_____	29-28448-00			
13	*Grill, Filter	_____	29-28454-00			
	Decals (Not Shown)					
	*Decal, "Operator Panel"	75115556	_____			
	*Decal, "Control Unit I.D."	75115557	29- T8A			



READER'S COMMENTS

Your comments and suggestions will help us in our efforts to improve the quality of our publications.

1. How did you use this manual? (Circle your response.)

- (a) Installation (c) Maintenance (e) Training
(b) Operation/use (d) Programming (f) Other (Please specify.) _____

2. Did the manual meet your needs? Yes No Why? _____

3. Please rate the manual on the following categories. (Circle your response.)

	Excellent	Good	Fair	Poor	Unacceptable
Accuracy	5	4	3	2	1
Clarity	5	4	3	2	1
Completeness	5	4	3	2	1
Table of Contents, Index	5	4	3	2	1
Illustrations, examples	5	4	3	2	1
Overall ease of use	5	4	3	2	1

4. What things did you like most about this manual? _____

5. What things did you like least about this manual? _____

6. Please list and describe any errors you found in the manual.

Page	Description/Location of Error
_____	_____
_____	_____
_____	_____
_____	_____

Name _____ Job Title _____
Street _____ Company _____
City _____ Department _____
State/Country _____ Telephone Number _____
Postal (ZIP) Code _____ Date _____

THANK YOU FOR YOUR COMMENTS AND SUGGESTIONS.

Please do not use this form to order manuals. Contact your representative at Digital Equipment Corporation, or (in the USA) call our DECdirect™ department at this toll-free number: 800-258-1710.

FOLD HERE AND TAPE. DO NOT STAPLE.

digital™



No Postage
Necessary
if Mailed in the
United States

BUSINESS REPLY MAIL

FIRST CLASS PERMIT NO. 33 MAYNARD, MA

POSTAGE WILL BE PAID BY ADDRESSEE

DIGITAL EQUIPMENT CORPORATION
Educational Services/Quality Assurance
12 Crosby Drive BUQ/E08
Bedford, MA 01730-1493
USA



FOLD HERE AND TAPE. DO NOT STAPLE.