

PrintServer 32 Printer

Optional Large Capacity Input Tray Operator's Guide

Revision/Update Information: This is a new manual.

Order Number: EK-PSLCO-OC. A01

First Printing, March 1994

Digital Equipment Corporation makes no representations that the use of its products in the manner described in this publication will not infringe on existing or future patent rights, nor do the descriptions contained in this publication imply the granting of licenses to make, use, or sell equipment or software in accordance with the description.

Possession, use, or copying of the software described in this publication is authorized only pursuant to a valid written license from Digital or an authorized sublicensor.

© Digital Equipment Corporation 1994. All Rights Reserved.
Printed in U.S.A.

The postpaid Reader's Comments forms at the end of this document request your critical evaluation to assist in preparing future documentation.

The following are trademarks of Digital Equipment Corporation: PrintServer, VAX, VAX DOCUMENT, and the DIGITAL logo.

All other trademarks and registered trademarks are the property of their respective holders.

S2425

FCC Notice

This equipment has been tested and found to comply with the limits of a Class A digital device, Pursuant to Part 15 of the FCC Rules. These limits are designed to provide a reasonable protection against harmful interference when the equipment is operated in a commercial environment. The equipment generates, uses, and can radiate radio frequency energy and, if not installed and used in accordance with the instruction manual, may cause harmful interference to radio communications. Operation of this equipment in a residential area is likely to cause harmful interference in which case the user will be required to correct the interference at his own expense.

Any changes or modifications not expressly approved by the manufacturer could void the user's authority to operate the equipment.

Canadian Department of Communications compliance statement:

This equipment does not exceed Class A limits per radio noise emissions for digital apparatus set out in the Radio Interference Regulation of the Canadian Department of Communications. Operation in a residential area may cause unacceptable interference to radio and TV reception requiring the owner or operator to take whatever steps are necessary to correct the interference.

Avis de conformité aux normes du ministère de Communications du Canada:

Cet équipement ne dépasse pas les limites de Class A d'émission de bruits radioélectriques pour les appareils numériques telles que prescrites par le Règlement sur le brouillage radioélectrique établies par le ministère des Communications du Canada. L'exploitation faite en milieu résidentiel peut entraîner le brouillage des réceptions radio et télé, ce qui obligerait le propriétaire ou l'opérateur à prendre les dispositions nécessaires pour en éliminer les causes.

This document was prepared using VAX DOCUMENT Version 2.1.

Contents

1 Using the Optional Large Capacity Input Tray

1.1	Supported Paper Sizes	1-1
1.2	Adding Paper	1-3
1.3	Clearing Paper Jams	1-8
1.4	Troubleshooting	1-11
1.5	Service Notes	1-12

Figures

1-1	Parts of the OLCIT	1-2
-----	--------------------------	-----

Tables

1-1	Conventions	1-1
1-2	OLCIT LEDs	1-11
1-3	Print Errors	1-11
1-4	OLCIT Diagnostics	1-12

Using the Optional Large Capacity Input Tray

This book describes the following operator functions for the PrintServer 32 Printer Optional Large Capacity Input Tray (OLCIT).

- Adding paper (**capacity 3000** sheets of 20 lb paper)
- Clearing paper jams
- Troubleshooting

Refer to the *PrintServer 32 Printer Operator's Guide* for information on using the PrintServer 32 printer.

Conventions

The following conventions are used in this manual:

Table 1–1 Conventions

Note	A note provides important additional information.
Key	A key name is shown enclosed in a box to indicate that you press that key on the control panel. Key names are always shown in initial capital letters.

1.1 Supported Paper Sizes

The Optional Large Capacity Input Tray (OLCIT) is designed to accept the following paper sizes printed in either landscape (long edge feed) or portrait (short edge feed) mode:

- Letter (LT) (8.5 inch x 11 inch)
- Letter (LTR) (11 inch x 8.5 inch)
- A4 (297 mm x 210 mm)
- A4R (210 mm x 297 mm)

Use recommended paper only, as listed in the *PrintServer 32 Printer Operator's Guide*.

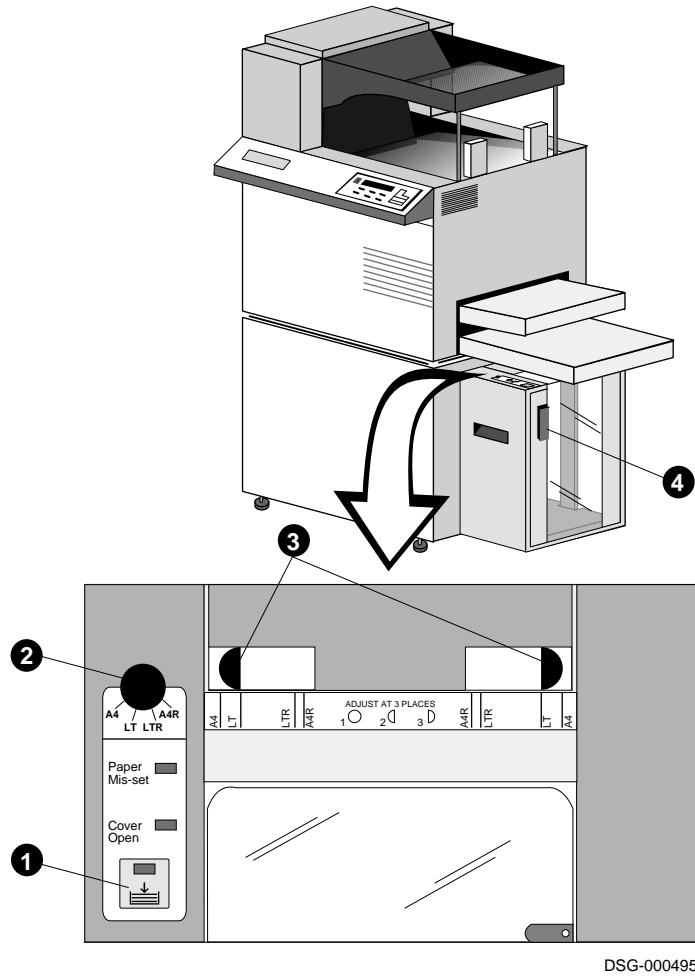
Using the Optional Large Capacity Input Tray

1.1 Supported Paper Sizes

Parts of the OLCIT

The following illustration and table describe the parts of the OLCIT.

Figure 1–1 Parts of the OLCIT



DSG-000495

Number	Description
①	Paper Tray Down button
②	Paper Size selection knob
③	Paper adjustment levers
④	Door

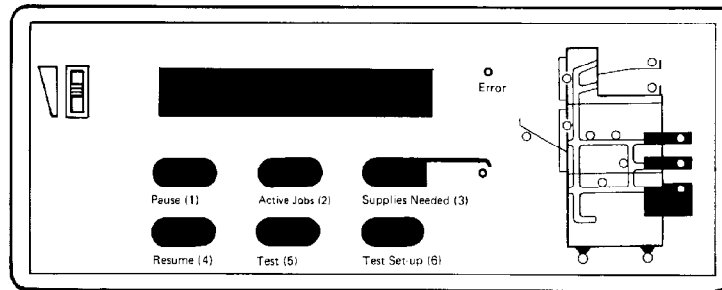
1.2 Adding Paper

This section explains how to add paper to the OLCIT.

Note

When adding paper, make sure the PrintServer is not in the process of printing and the operator panel reads **Ready**.

1. Press **Pause** on the PrintServer 32 operator panel.

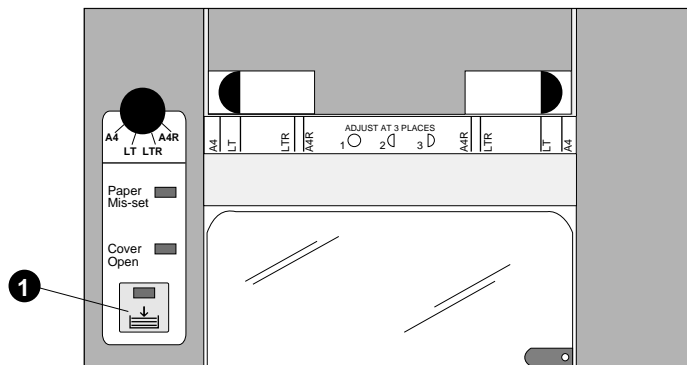
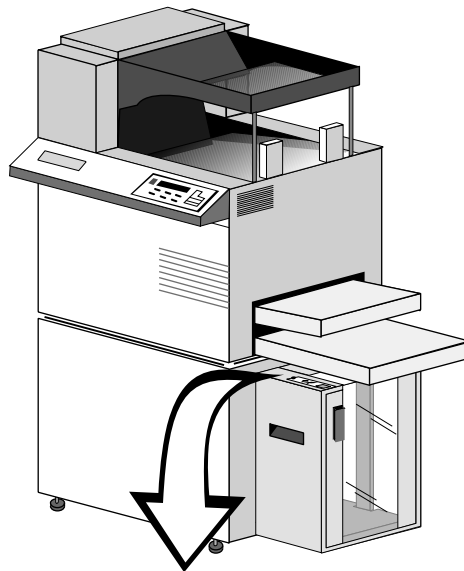


MLO-008829S

Using the Optional Large Capacity Input Tray

1.2 Adding Paper

2. Press the Tray Down button **1** on the OLCIT.
✓ Be sure the paper tray has stopped before continuing with the procedure.



DSG-000496

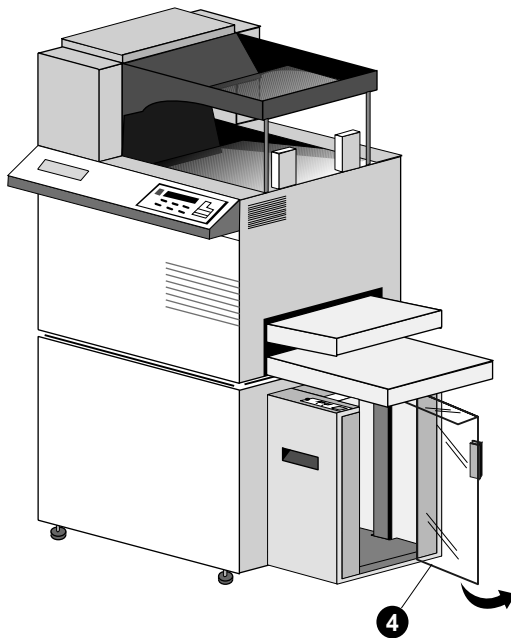
Note

If the tray runs out of paper while printing, the tray automatically lowers. The elevator tray hesitates momentarily about half way up or down in its travels and the Cover Open LED goes on momentarily. This is normal operational behavior of the elevator tray and the Cover Open LED.

Using the Optional Large Capacity Input Tray 1.2 Adding Paper

3. Open the OLCIT door ④.

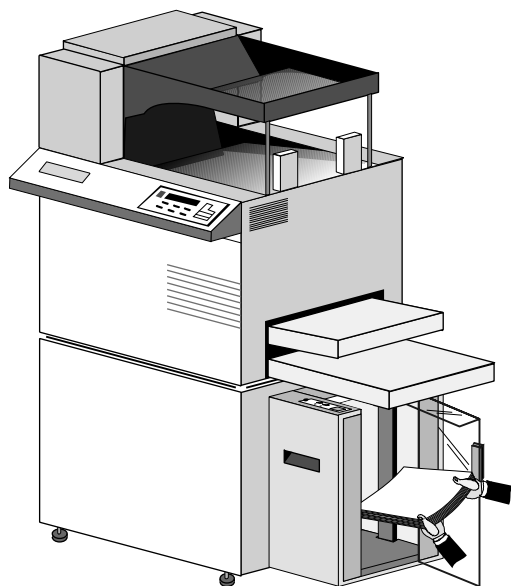
- ✓ Remove the two smaller paper trays above the OLCIT. This makes for easy loading of paper and reduces the likelihood of paper jams.



DSG-000500

4. Fan about half a ream of paper at a time to release any static electricity.

- ✓ Tap the paper on a hard surface to align the edges.
- ✓ Insert the paper until the leading edge touches the back of the tray.
- ✓ Make sure the edges or corners of the paper are not folded during loading.



DSG-000498

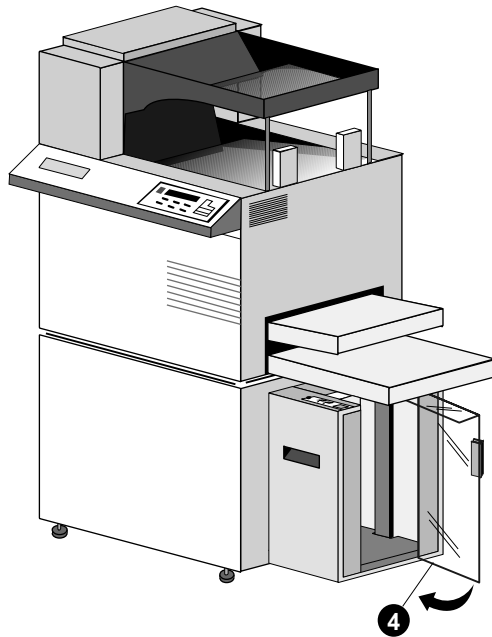
Using the Optional Large Capacity Input Tray

1.2 Adding Paper

Note

Sloppy paper loading or folded/damaged paper edges and corners can cause printer paper jams.

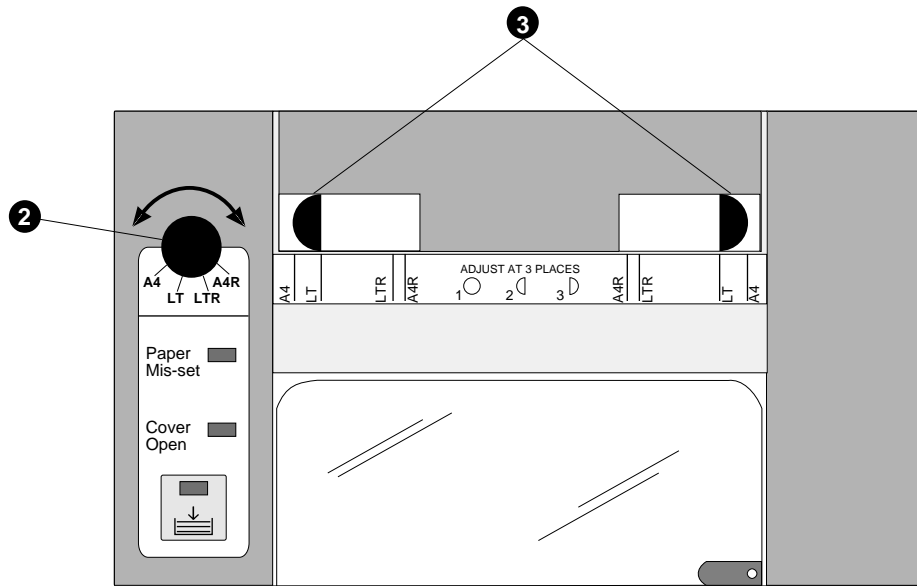
- Use recommended paper only, as listed in the *PrintServer 32 Printer Operator's Guide*.
 - Do not add more than six reams of paper to the paper tray. Adding more paper or loading the paper unevenly puts stress on the paper tray motor and causes paper jams.
5. Close the OLCIT door ④.



DSG-000497

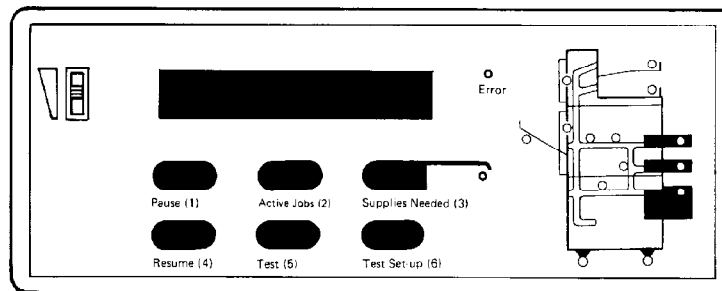
Using the Optional Large Capacity Input Tray 1.2 Adding Paper

6. Make sure the two paper adjustment levers **3** and the paper selection knob **2** are set to the **identical** setting for the paper size you just loaded.



DSG-000499

7. Press **Resume** on the PrintServer 32 operator panel.



MLO-008823S

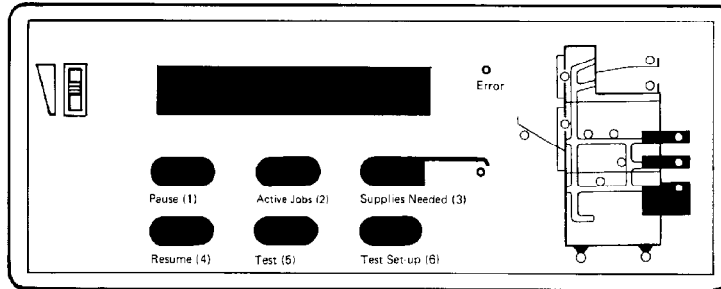
Using the Optional Large Capacity Input Tray

1.3 Clearing Paper Jams

1.3 Clearing Paper Jams

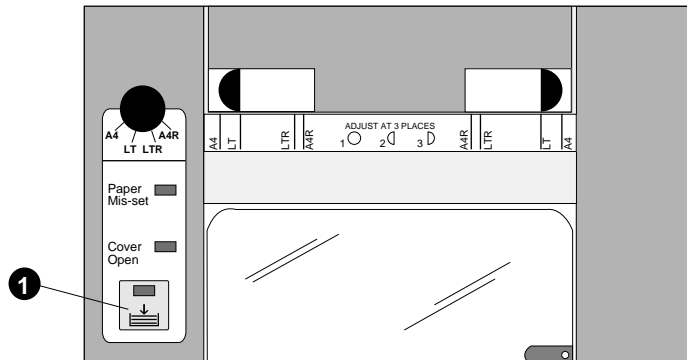
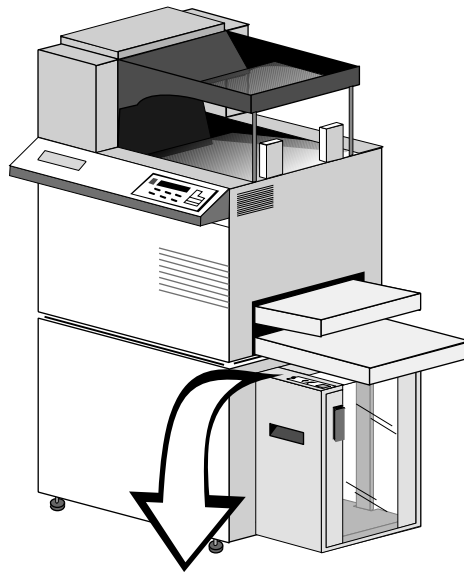
This section explains how to clear paper jams from the OLCIT.

1. Press **Pause** on the PrintServer 32 operator panel.



MLO-008823S

2. Press the Tray Down button **1** on the OLCIT.
✓ Be sure the paper tray has stopped before continuing with the procedure.

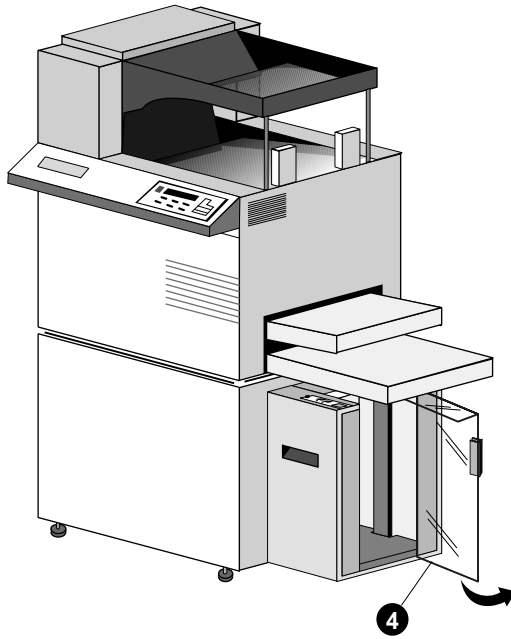


DSG-000496

Using the Optional Large Capacity Input Tray

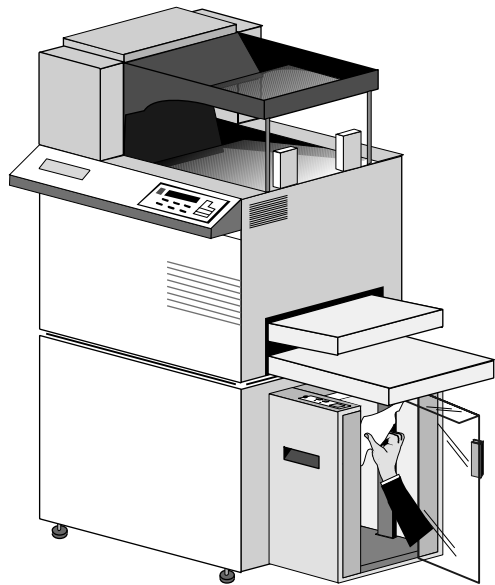
1.3 Clearing Paper Jams

3. Open the OLCIT door ④.



DSG-000500

4. Remove all jammed paper from the PrintServer and the PrintServer's cavity.

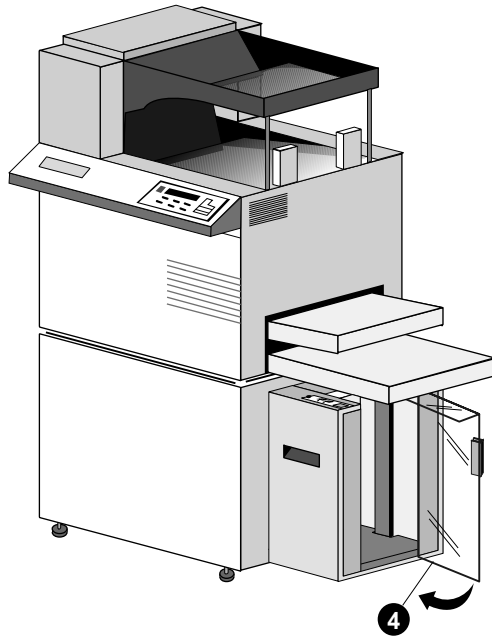


DSG-000501

Using the Optional Large Capacity Input Tray

1.3 Clearing Paper Jams

5. Close the OLCIT door ④.

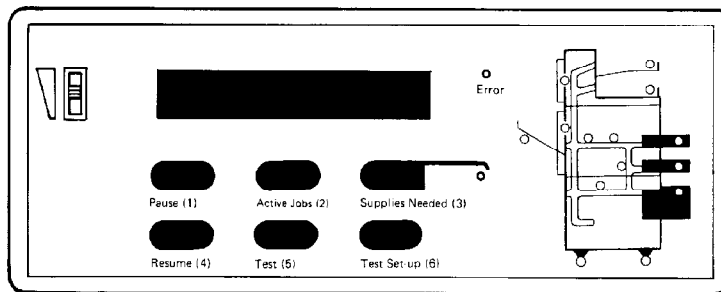


DSG-000497

Note

The elevator moves the paper stack to the top of the OLCIT automatically.

6. Press **Resume** on the PrintServer 32 operator panel.



MLD-008823S

1.4 Troubleshooting

Note

If the paper selection knob *and* the paper adjustment levers are not set to the paper size loaded in the OLCIT, paper jams will occur.

Table 1–2 shows the LEDs and what to do to correct the situations listed.

Table 1–2 OLCIT LEDs

This LED . . .	Lights When . . .	And you need to . . .
Paper Mis-set	The paper size selection knob is between detented settings.	Position the paper size selection knob correctly.
Cover Open	OLCIT cover is open.	Make sure the OLCIT cover is closed.
Elevator Push Button	Elevator is moving.	None

Table 1–3 shows the print errors that might occur and what to do to correct them.

Table 1–3 Print Errors

Print Error	Corrective Action
Paper Jam	Clear the jam. See the <i>PrintServer 32 Printer Operator's Guide</i> for instructions on clearing paper jams inside the PrintServer. See Section 1.3 of this guide for clearing paper jams in the OLCIT, then see the Corrective Action section of Table 1–2 in this guide for instructions.

If you cannot correct the problem or the operator panel instructs you to call Customer Services, the OLCIT requires servicing by a qualified Customer Services engineer.

Digital has a service center in your area to help keep your system running properly.

Where	Type of Service	Telephone Number
North America	On-site warranty	1-800-354-9000
All Other Locations		Call your local sales office

Using the Optional Large Capacity Input Tray

1.5 Service Notes

1.5 Service Notes

The OLCIT is similar in operation and service to the 1000 sheet LCIT. The OLCIT has an internal controller that operates the elevator tray motor and signals the PrintServer duplexer-table controller.

The 1000 sheet LCIT has no internal controller and its motor and other functions are controlled directly by the duplexer-table controller.

It is this difference that accounts for the small changes in response to the PrintServer 32 diagnostic service procedures.

Use the diagnostic procedures for the LCIT (in the PrintServer 32 service manual) to diagnose the OLCIT. Table 1–4 shows the failure modes and actions for the user and service personnel. Refer to the *PrintServer 32 Service Manual* for service procedures.

Table 1–4 OLCIT Diagnostics

Problem	PrintServer Control Panel Message	OLCIT Panel	User Actions	Service Actions
Elevator does not move up or down	Error 41	Elevator green LED blinking	Call service	Replace OLCIT
Small white OLCIT connector not engaged	Close paper tray door	Red LED on	Verify connection; if error persists, call service	Verify that harness is OK. If no good, replace OLCIT
Large blue OLCIT connector not engaged	Error 52	No power	Verify connection; if error persists, call service	Verify that harness is OK. If no good, replace OLCIT
Wrong printing position on paper or image position	None	None	Set paper size rotary knob to correct size. You must change the Paper Size setting when the cover is open.	None
Printing is skewed on the paper	None	None	Adjust paper guides on OLCIT to paper edges. Verify that Paper Size selection knob setting corresponds to the Paper Adjustment lever. You must change the Paper Size setting when the cover is open.	None

Note

If you have an LCIT (1000 sheet feeder), verify that the OLCIT (3000 sheet feeder) is the problem by installing the LCIT. If the LCIT works, then replace the OLCIT.

How to Order Additional Documentation

Technical Support

If you need help deciding which documentation best meets your needs, call 800-DIGITAL (800-344-4825) and press 2 for technical assistance.

Electronic Orders

If you wish to place an order through your account at the Electronic Store, dial 800-234-1998, using a modem set to 2400- or 9600-baud. You must be using a VT terminal or terminal emulator set at 8 bits, no parity. If you need assistance using the Electronic Store, call 800-DIGITAL (800-344-4825) and ask for an Electronic Store specialist.

Telephone and Direct Mail Orders

From	Call	Write
U.S.A.	DECdirect Phone: 800-DIGITAL (800-344-4825) Fax: (603) 884-5597	Digital Equipment Corporation P.O. Box CS2008 Nashua, NH 03061
Puerto Rico	Phone: (809) 781-0505 Fax: (809) 749-8377	Digital Equipment Caribbean, Inc. 3 Digital Plaza, 1st Street Suite 200 Metro Office Park San Juan, Puerto Rico 00920
Canada	Phone: 800-267-6215 Fax: (613) 592-1946	Digital Equipment of Canada Ltd. 100 Herzberg Road Kanata, Ontario, Canada K2K 2A6 Attn: DECdirect Sales
International	_____	Local Digital subsidiary or approved distributor
Internal Orders ¹ (for software documentation)	DTN: 264-3030 (603) 884-3030 Fax: (603) 884-3960	U.S. Software Supply Business Digital Equipment Corporation 10 Cotton Road Nashua, NH 03063-1260
Internal Orders (for hardware documentation)	DTN: 264-3030 (603) 884-3030 Fax: (603) 884-3960	U.S. Software Supply Business Digital Equipment Corporation 10 Cotton Road Nashua, NH 03063-1260

¹Call to request an Internal Software Order Form (EN-01740-07).

Reader's Comments

PrintServer 32 Printer
Optional Large Capacity Input Tray
Operator's Guide
EK-PSLCO-OC. A01

Your comments and suggestions help us improve the quality of our publications.

Thank you for your assistance.

I rate this manual's:

	Excellent	Good	Fair	Poor
Accuracy (product works as manual says)	<input type="checkbox"/>	<input type="checkbox"/>	<input type="checkbox"/>	<input type="checkbox"/>
Completeness (enough information)	<input type="checkbox"/>	<input type="checkbox"/>	<input type="checkbox"/>	<input type="checkbox"/>
Clarity (easy to understand)	<input type="checkbox"/>	<input type="checkbox"/>	<input type="checkbox"/>	<input type="checkbox"/>
Organization (structure of subject matter)	<input type="checkbox"/>	<input type="checkbox"/>	<input type="checkbox"/>	<input type="checkbox"/>
Figures (useful)	<input type="checkbox"/>	<input type="checkbox"/>	<input type="checkbox"/>	<input type="checkbox"/>
Examples (useful)	<input type="checkbox"/>	<input type="checkbox"/>	<input type="checkbox"/>	<input type="checkbox"/>
Index (ability to find topic)	<input type="checkbox"/>	<input type="checkbox"/>	<input type="checkbox"/>	<input type="checkbox"/>
Page layout (easy to find information)	<input type="checkbox"/>	<input type="checkbox"/>	<input type="checkbox"/>	<input type="checkbox"/>

I would like to see more/less _____

What I like best about this manual is _____

What I like least about this manual is _____

I found the following errors in this manual:

Page	Description
_____	_____
_____	_____
_____	_____
_____	_____
_____	_____

Additional comments or suggestions to improve this manual:

For software manuals, please indicate which version of the software you are using: _____

Name/Title _____ Dept. _____

Company _____ Date _____

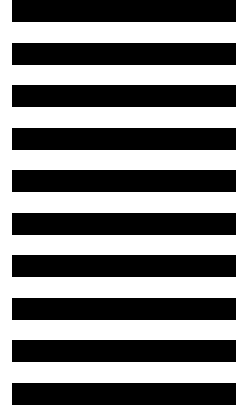
Mailing Address _____

_____ Phone _____

----- Do Not Tear - Fold Here and Tape -----



No Postage
Necessary
if Mailed
in the
United States



BUSINESS REPLY MAIL
FIRST CLASS PERMIT NO. 33 MAYNARD MASS.

POSTAGE WILL BE PAID BY ADDRESSEE

DIGITAL EQUIPMENT CORPORATION
Information Design and Consulting
MRO1-2/L12
2 RESULTS WAY
MARLBORO, MA 01752-9840



----- Do Not Tear - Fold Here -----