

**ILLUSTRATED  
PARTS  
BREAKDOWN**

**HSC90/60  
STORAGE CONTROLLERS**

**ILLUSTRATED PARTS BREAKDOWN (IPB)**  
The IPB is used to identify a part and its location in a hardware product. The document references specific item numbers in the associated parts list.

**HOW TO USE THE IPB**

1. Locate the figure containing the item of interest.
2. Locate the number (callout) of the item of interest.
3. Locate that item number in the associated parts list.

**FORMAT**

Each IPB is generally organized based on its first figure. All other assemblies and subassemblies are referenced from this figure. Each figure contains numeric callouts of all major parts (items).

**PARTS LIST**

Each parts list contains the following:

**Figure and Item No.** - Lists the figure number and its referenced numeric callout

**Description** - Presents the name and a brief description of the item. A single asterisk (\*) preceding the description

denotes item is a subassembly to its referenced figure. A double asterisk (\*\*) preceding the description indicates that this item is subordinate to the preceding single asterisk item.

**DEC Part No.** - Lists the Digital/Vendor part number. The letter in the column heading indicates the current revision level of the Engineering Drawing for the referenced figure.

**ECO Cut-In** - Lists the top assembly drawing number and revision level at first printing. All additional revisions to an item are listed in this column.

**Used On Code** - Lists letters referring to the product variation assigned in Figure 1. When this column is blank, the item is used in all options.

**Ref Fig No.** - Lists a cross reference between figures within the IPB.

**PART NUMBER/PART DESCRIPTION INDEX SECTION**

Lists items by part number numerically, and description alphabetically. Items are also referenced to a location within the IPB by figure and item number.

**ECO/REVISION HISTORY**

| ECO/REVISION HISTORY |          |               |               |               | OTHER IPB<br>MANUALS<br>REFERENCED   |
|----------------------|----------|---------------|---------------|---------------|--|
| FIGURE<br>NO.        | ASSEMBLY | INITIAL LEVEL | CURRENT LEVEL | PRINTING DATE |  |
| 1                    | HSC90    | 00000         | 00000         | 31-AUG-91     | EK-0LA50-IP<br>EK-0LA75-IP<br>EK-VT220-IP<br>EK-VT320-IP<br>EK-VT420-IP<br>EK-0RX33-IP |
| 2                    | HSC60    | 00000         | 00000         |               |  |
| 3                    | 70-23139 | HSC70-00012   | HSC70-00012   |               |  |
| 4                    | 70-23126 | HSC70-00012   | HSC70-00012   |               |  |
| 5                    | 70-23128 | HSC70-00012   | HSC70-00012   |               |  |
| 6                    | 70-20031 | 00001         | 00001         |               |  |
| 7                    | 70-23129 | 00000         | 00000         |               |  |
| 8                    | 70-20033 | 00004         | 00004         |               |  |
| 9                    | 70-20184 | 00001         | 00001         |               |  |
| 10                   | 70-23130 | HSC70-00012   | HSC70-00012   |               |  |
| 11                   | 70-23131 | HSC70-00012   | HSC70-00012   |               |  |
| 12                   | 70-23132 | 00002         | 00002         |               |  |
| 13                   | 70-23138 | 00000         | 00000         |               |  |
| 14                   | 70-19083 | 00001         | 00001         |               |  |
| 15                   | 70-23219 | HSC50-00015   | HSC50-00015   |               |  |
| 16                   | 70-23125 | HSC70-00003   | HSC50-00015   |               |  |

Digital Equipment Corporation reserves the right, without notice, to make substitutions and modifications in the specifications of products documented in this manual and further reserves the right to withdraw any of these products from the market without notice.

Digital Equipment Corporation is not responsible for errors which may appear in the technical description (including illustrations and photographs) of the products covered by this manual.

None of the descriptions contained in this manual imply the granting of any license whatsoever to make, use or sell equipment constructed in accordance therewith.

Restricted Rights: Use, duplication or disclosure by the U.S. Government is subject to restrictions as set forth in subparagraph (c) (1) (ii) of the Rights in Technical Data and Computer Software clause at DFARS 252.227-2713.

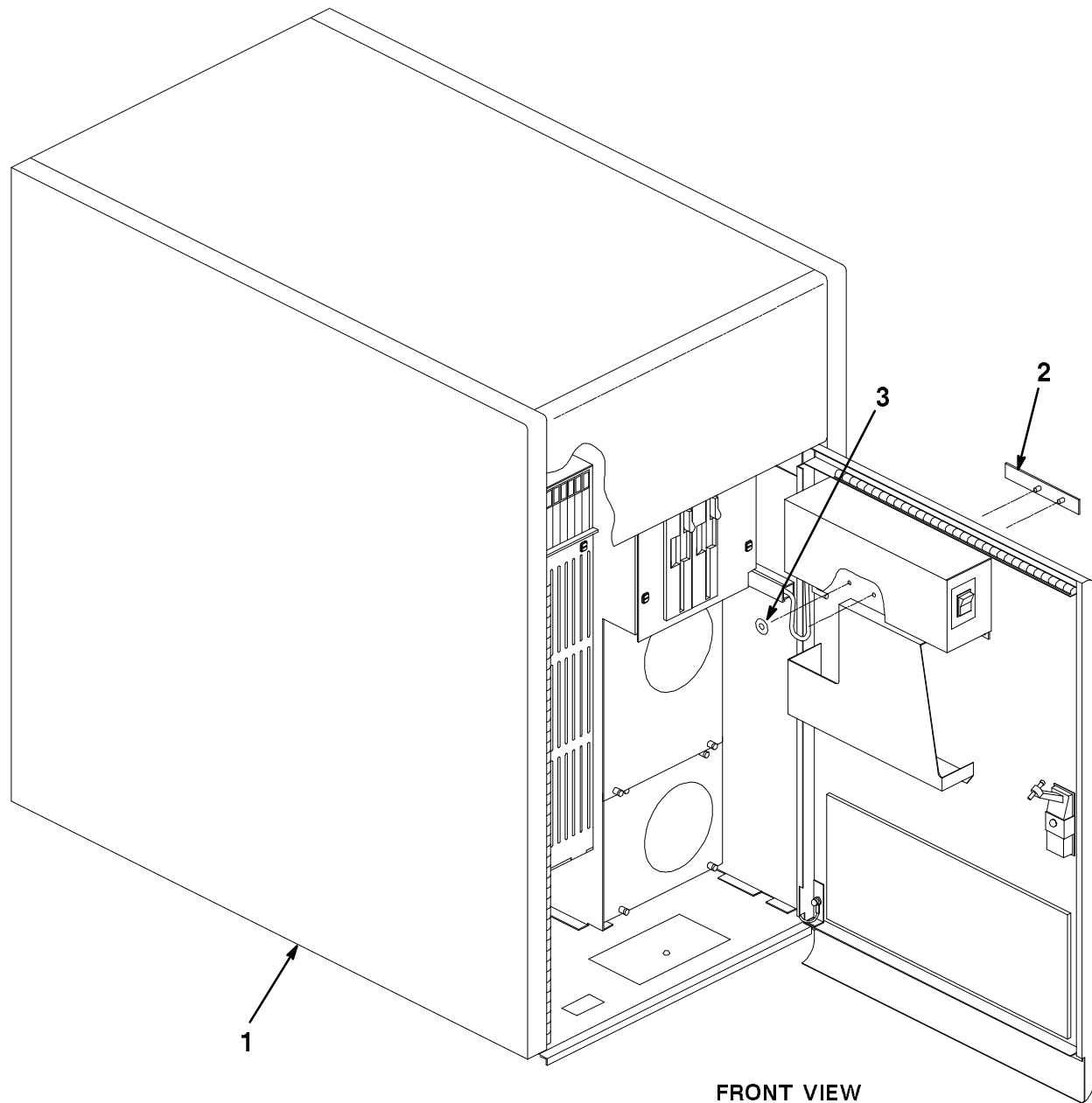
Copyright © 1987,1988, 1991 by Digital Equipment Corporation. All rights reserved.  
Printed in U.S.A.

The postage-paid READER'S COMMENTS form on the last page of this document requests your critical evaluation to assist us in preparing future documentation.

The following are trademarks of Digital Equipment Corporation :

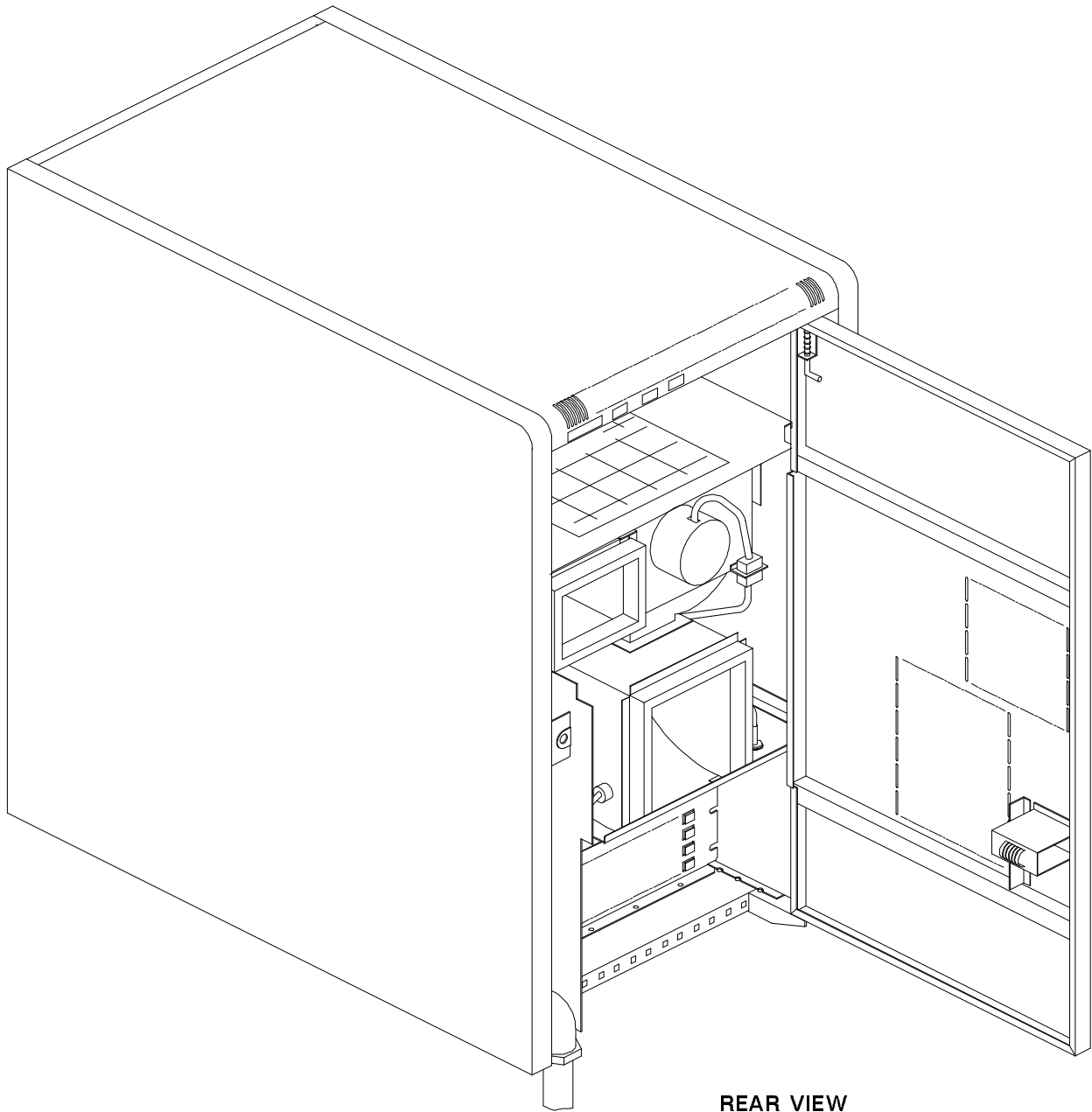
---

DECdirect, HSC40, HSC50, HSC60, HSC60, HSC70, HSC90, LA50, LA70, LA75, PDP-11, RX33, VT220, VT320, VT420 and the DIGITAL logo.



HSC96-01-IL

**Figure 1. Controller, HSC90 Storage (Sheet 1 of 2)**



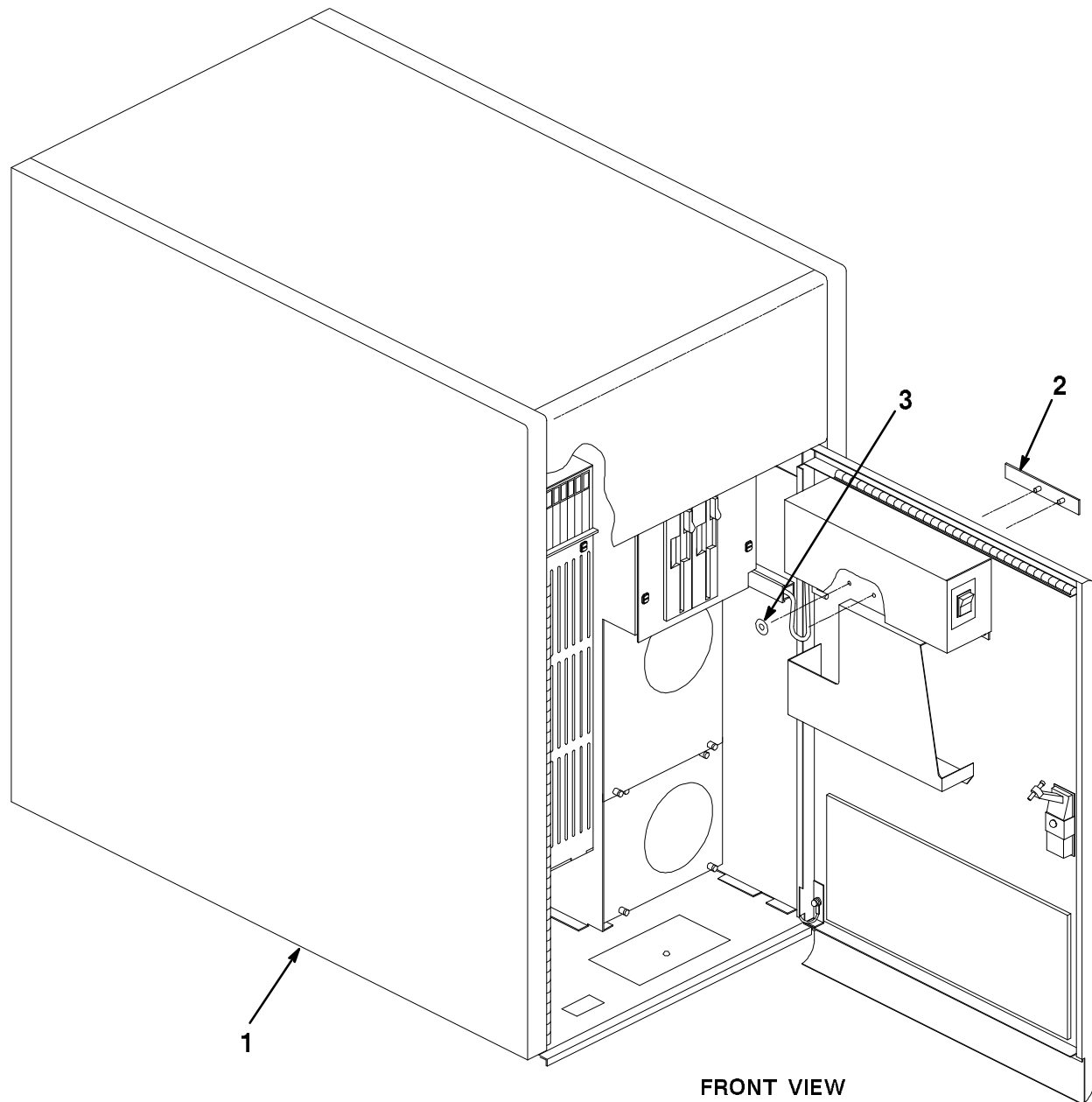
REAR VIEW

HSC96-01A-IL

**Figure 1. Controller, HSC90 Storage (Sheet 2 of 2)**

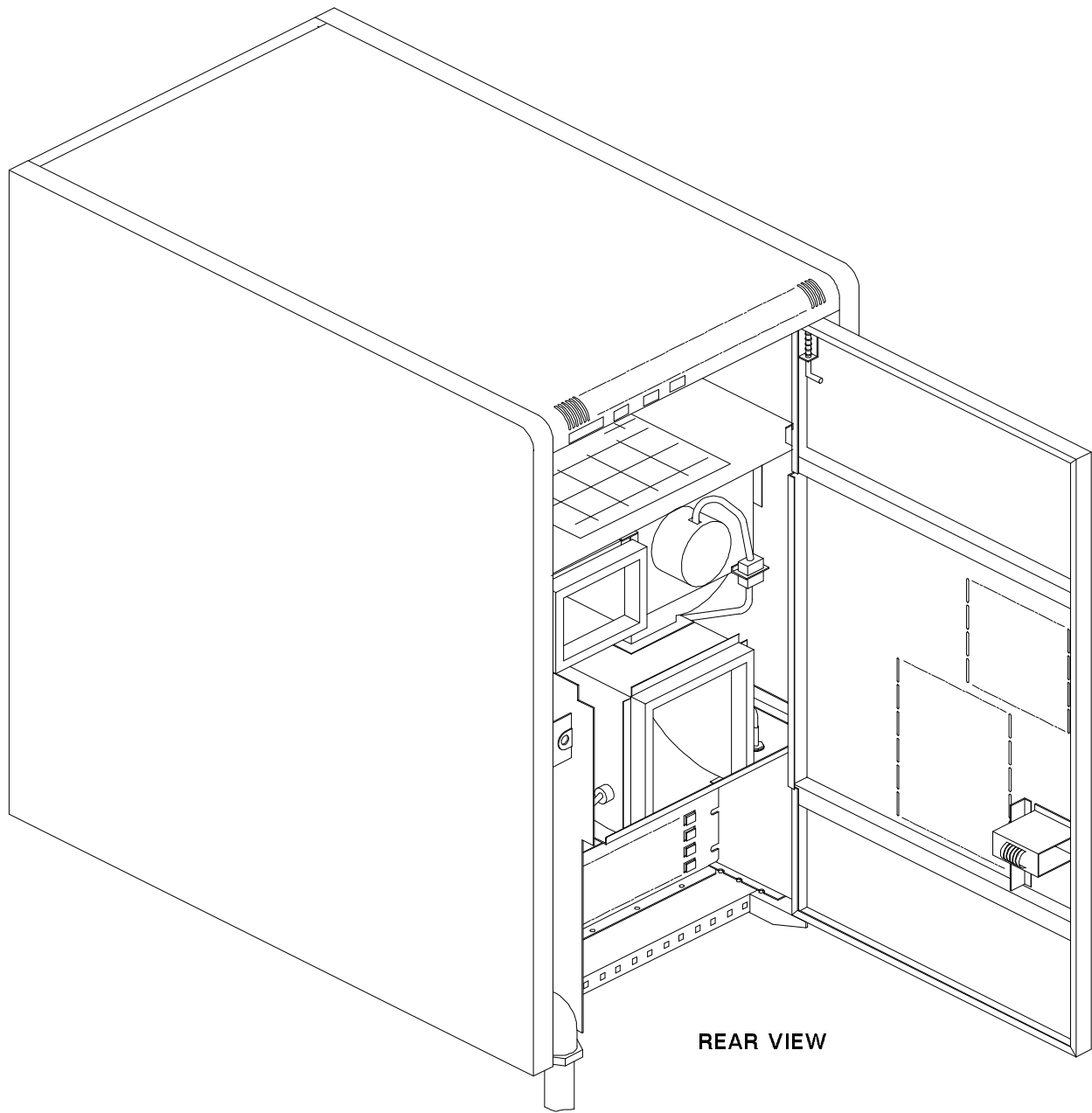
| FIG. & ITEM NO. | DESCRIPTION  | DEC PART NO. <sup>A</sup> | ECO CUT-IN HSC90 00000 | USED ON CODE | REF FIG NO. |
|-----------------|--|---------------------------|------------------------|--------------|-------------|
| 1-              | CONTROLLER, HSC90 STORAGE  |                           |                        |              |             |
|                 | Code A - Used on HSC90-AA (120V 60 Hz)   | HSC90-AA                  |                        | A            |             |
|                 | Code B - Used on HSC90-AB (240V 50 Hz)   | HSC90-AB                  |                        | B            |             |
|                 | Code C - Used on HSC90-BA (120V 60 Hz)   | HSC90-BA                  |                        | C            |             |
|                 | Code D - Used on HSC90-BB (240V 50 Hz)   | HSC90-BB                  |                        | D            |             |
| 1               | *MECHANICAL ASSEMBLY, HSC TOP  | 70-23139-05               |                        | A            | 3           |
|                 | *MECHANICAL ASSEMBLY, HSC TOP  | 70-23139-06               |                        | B            | 3           |
|                 | *MECHANICAL ASSEMBLY, HSC TOP  | 70-23139-15               |                        | C            | 3           |
|                 | *MECHANICAL ASSEMBLY, HSC TOP  | 70-23139-16               |                        | D            | 3           |
| 2               | *Medallion, "HSC90"  | 74-38607-07               |                        |              |             |
| 3               | *Nut, Wing   | 90-11008-01               |                        |              |             |
|                 | PRINTERS (Not Shown)   |                           |                        |              |             |
|                 | *Printer, LA70   | LA70-AA                   |                        | AC           |             |
|                 | *Printer, LA70<br>or   | LA70-AE                   |                        | BD           |             |
|                 | *Printer, LA75   | LA75-CA                   |                        | AC           |             |
|                 | *Printer, LA75 (See IPB Manual EK-0LA75-IP)                                      | LA75-AE                   |                        | BD           |             |
|                 | *Basket, LA50 Paper (34-21346-01)  | LA50X-FF                  |                        |              |             |
|                 | *Stand, Printer Desk (replaces PCXXF-CF)   | LJ25X-DS                  |                        |              |             |
|                 | TERMINAL (Not Shown)   |                           |                        |              |             |
|                 | *Terminal, VT420 Mono Amber (USA)  | VT420-CA                  |                        | AC           |             |
|                 | *Terminal, Mono White (UK/Ireland)   | VT420-AE                  |                        | BD           |             |
|                 | MODULES (Not Shown)  |                           |                        |              |             |
|                 | *Module, J11 I/O Control Processor 18MHz   | L0111-YC                  |                        |              |             |
|                 | *Module, M.STD4 (256KB Cntrl Mem, 3MB<br>Prog. Mem, 512K Data Mem. & RZ33 Cntrl) | L0123-AA                  |                        |              |             |
|                 | *Module, K.PL12 (Port Processor)   | L0124-00                  |                        |              |             |
|                 | *Module, PILA2 (Port Buffer)   | L0125-00                  |                        |              |             |
|                 | *Module, L0118 w/CIX64 Compatability   | L0118-YA                  |                        |              |             |
|                 | *Module, Blank   | 74-28263-01               |                        |              |             |
|                 | LABELS (Not Shown)   |                           |                        |              |             |
|                 | *Label, Card Cage Module HSC60   | 36-21684-05               |                        |              |             |
|                 | *Label, Cable Bar Code 2.2Inch x 0.9Inch   | 36-21711-15               |                        |              |             |
|                 | *Label, Bar Code 1.80Inch x 0.75Inch   | 36-21711-13               |                        |              |             |
|                 | *Label, FCC Class A  | 36-17880-03               |                        | AC           |             |
|                 | *Label, "Serial/Power Universal, Made in USA"                                    | 36-17674-38               |                        |              |             |

| FIG. & ITEM NO. | DESCRIPTION  | DEC PART NO. <sup>A</sup>  | ECO CUT-IN HSC90 00000 | USED ON CODE | REF FIG NO. |
|-----------------|--|--|------------------------|--------------|-------------|
| 1-              | <p style="text-align: center;"><b>CABLES (Not Shown)</b></p> <ul style="list-style-type: none"> <li>*Cable Assembly, PDP-11</li> <li>*Cable Assembly, Async 25 Ft Null Modem</li> <li>*Cord, Power (Central Europe)(See Note)</li> </ul> <p style="text-align: center;"><b>ACCESSORIES/OPTIONS (Not Shown)</b></p> <ul style="list-style-type: none"> <li>*KIT, K.SDI INTERFACE (to 4 SDI Disk Drives)</li> <li>**Module, Disk Data Channel</li> <li>*KIT, K.STI INTERFACE (to 4 STI Tape Formatters)</li> <li>**Module, Tape Data Channel</li> <li>*KIT, K.SI INTERFACE (to 4 SDI Disk Drives or 4 STI Tape Formatters)</li> <li>**Module, K.SI 4 Port SI Channel Controller</li> <li>*KIT, K.SI INTERFACE (to 8 SDI Disk Drives)</li> <li>**Module, K.SI 8 Port SI Channel Controller</li> <li>*KIT, HSC90 CACHE MEMORY OPTION</li> <li>**Module, 32 MB Read/Write-Through</li> <li>*Documentation, "HSC Installation Manual"</li> <li>*Kit, HSC Software Bin RX33</li> </ul> <p style="text-align: center;">NOTE: BN03A-2E Power Cord is used in place of BN02A-2E on VT220 &amp; LA75 for installation requiring 220V input.</p> | <ul style="list-style-type: none"> <li>70-08288-8F</li> <li>BC22D-25</li> <li>BN03A-2E</li> <br/> <li>HSC5X-BA</li> <li>L0108-YA</li> <li>HSC5X-CA</li> <br/> <li>L0108-YB</li> <li>HSC5X-DA</li> <br/> <li>L0119-YA</li> <li>HSC9X-FA</li> <li>L0119-YB</li> <li>HSC9X-BA</li> <li>L0121-AA</li> <li>EK-HSCMN-IN</li> <li>QX926-H7</li> </ul> |                        |              |             |



HSC96-02-IL

Figure 2. Controller, HSC60 Storage (Sheet 1 of 2)

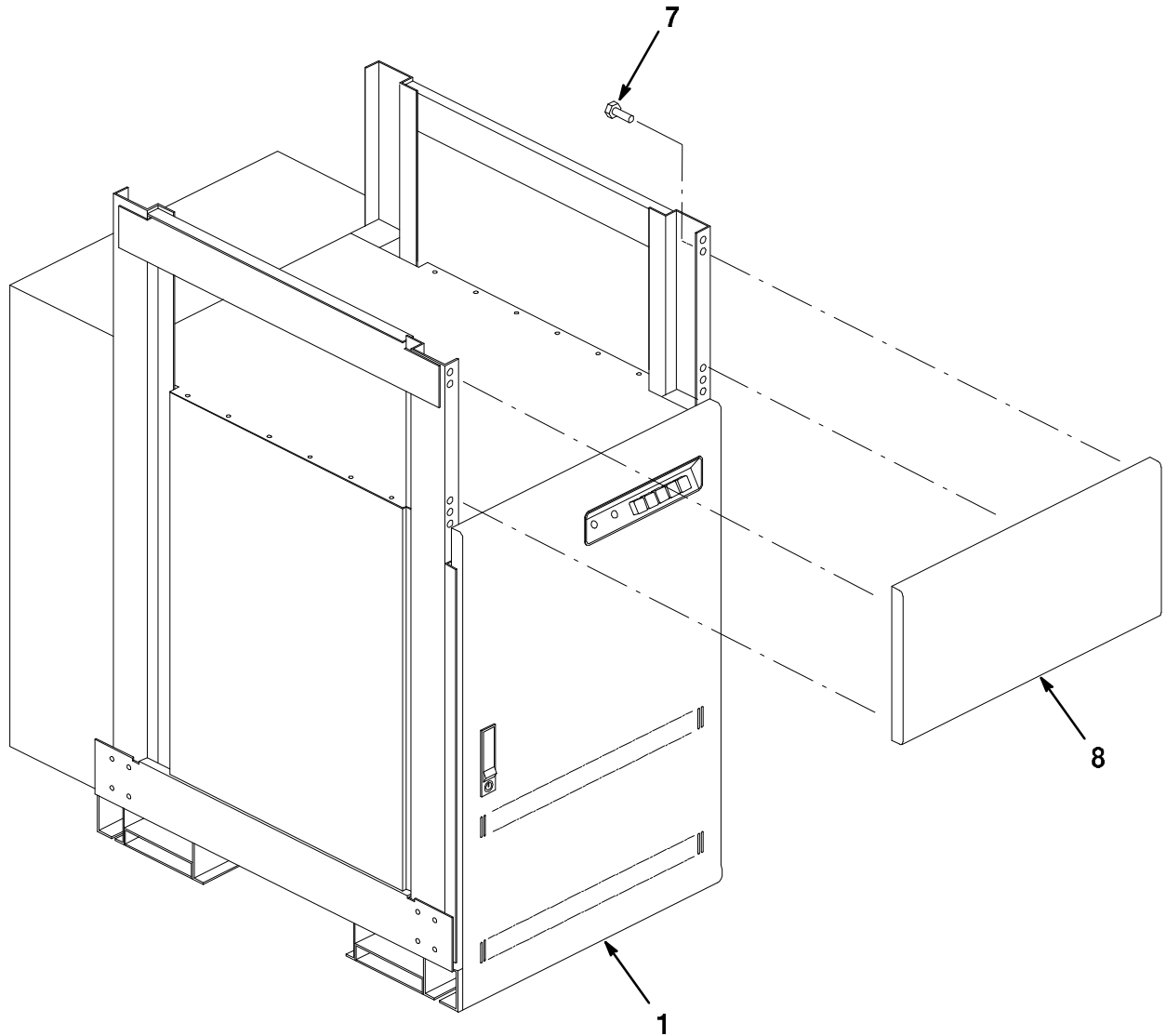


HSC96-02A-IL

**Figure 2. Controller, HSC60 Storage (Sheet 2 of 2)**

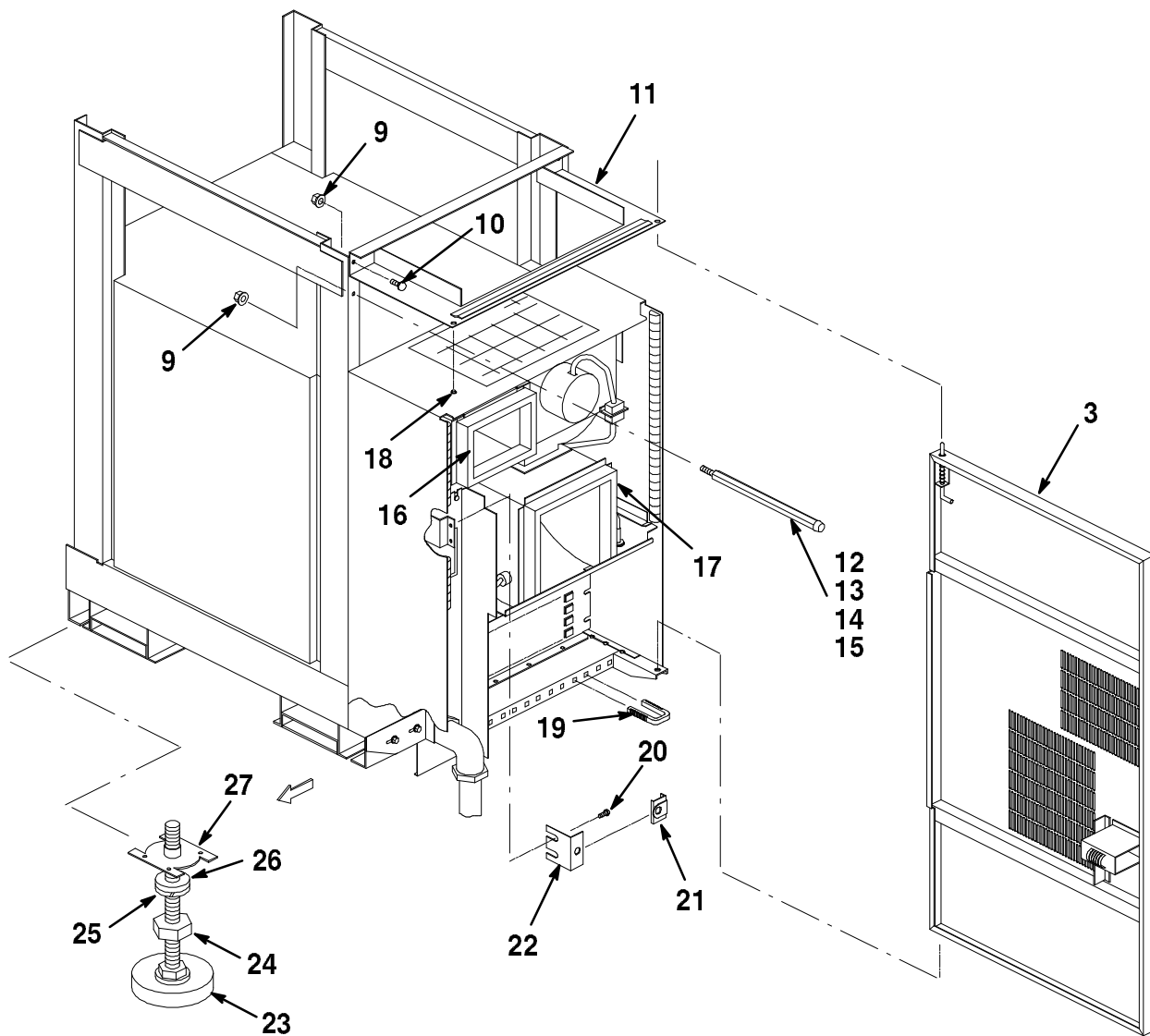
| FIG. & ITEM NO. | DESCRIPTION  | DEC PART NO. <sup>A</sup> | ECO CUT-IN HSC60 00000 | USED ON CODE | REF FIG NO. |
|-----------------|--|---------------------------|------------------------|--------------|-------------|
| 2-              | CONTROLLER, HSC60 STORAGE  |                           |                        |              |             |
|                 | Code E - Used on HSC60-AA (120V 60 Hz)   | HSC60-AA                  |                        | E            |             |
|                 | Code F - Used on HSC60-AB (240V 50 Hz)   | HSC60-AB                  |                        | F            |             |
|                 | Code G - Used on HSC60-BA (120V 60 Hz)   | HSC60-BA                  |                        | G            |             |
|                 | Code H - Used on HSC60-BB (240V 50 Hz)   | HSC60-BB                  |                        | H            |             |
| 1               | *MECHANICAL ASSEMBLY, HSC TOP  | 70-23139-07               |                        | E            | 3           |
|                 | *MECHANICAL ASSEMBLY, HSC TOP  | 70-23139-08               |                        | F            | 3           |
|                 | *MECHANICAL ASSEMBLY, HSC TOP  | 70-23139-17               |                        | G            | 3           |
|                 | *MECHANICAL ASSEMBLY, HSC TOP  | 70-23139-18               |                        | H            | 3           |
| 2               | *Medallion, "HSC60"  | 74-38607-04               |                        |              |             |
| 3               | *Nut, Wing   | 90-11008-01               |                        |              |             |
|                 | PRINTERS (Not Shown)   |                           |                        |              |             |
|                 | *Printer, LA70   | LA70-AA                   |                        | EG           |             |
|                 | *Printer, LA70<br>or   | LA70-AE                   |                        | FH           |             |
|                 | *Printer, LA75 (See IPB Manual EK-0LA75-IP)                                      | LA75-CA                   |                        | EG           |             |
|                 | *Printer, LA75   | LA75-AE                   |                        |              |             |
|                 | *Basket, LA50 Paper (34-21346-01)  | LA50X-FF                  |                        |              |             |
|                 | *Stand, Printer Desk (replaces PCXXF-CF)   | LJ25X-DS                  |                        |              |             |
|                 | TERMINAL (Not Shown)   |                           |                        |              |             |
|                 | *Terminal, VT420 Amber (USA)   | VT420-CA                  |                        | EG           |             |
|                 | *Terminal, VT420 White (UK/Ireland)<br>(See IPB Manual EK-VT420-IP)              | VT420-AE                  |                        | FH           |             |
|                 | MODULES (Not Shown)  |                           |                        |              |             |
|                 | *Module, P.IOJ J11 PLCY Processor 18MHz  | L0111-YD                  |                        |              |             |
|                 | *Module, M.STD4 (256KB Cntrl Mem, 3MB<br>Prog. Mem, 512K Data Mem. & RZ33 Cntrl) | L0123-AA                  |                        |              |             |
|                 | *Module, K.PL12 (Port Processor)   | L0124-00                  |                        |              |             |
|                 | *Module, PILA2 (Port Buffer)   | L0125-00                  |                        |              |             |
|                 | *Module, L0118 x/CIX64 Compatability   | L0118-YA                  |                        |              |             |
|                 | *Module, Blank   | 74-28263-01               |                        |              |             |
|                 | LABELS (Not Shown)   |                           |                        |              |             |
|                 | *Label, "Card Cage Module HSC60"   | 36-21684-04               |                        |              |             |
|                 | *Label, "Cable Bar Code 2.2Inch x 0.9 Inch"                                      | 36-21711-15               |                        |              |             |
|                 | *Label, "Bar Code 1.8Inch x 0.75 Inch"   | 36-21711-13               |                        |              |             |
|                 | *Label, "FCC Class A"  | 36-17880-03               |                        | EG           |             |
|                 | *Label, "Serial/Power Universal, Made in USA"                                    | 36-17674-38               |                        |              |             |

| FIG. & ITEM NO. | DESCRIPTION  | DEC PART NO. <sup>A</sup>  | ECO CUT-IN HSC60 00000 | USED ON CODE | REF FIG NO. |
|-----------------|--|--|------------------------|--------------|-------------|
| 2-              | <p style="text-align: center;">CABLES (Not Shown)</p> <ul style="list-style-type: none"> <li>*Cable Assembly, PDP-11</li> <li>*Cable Assembly, Async 25Ft Null Modem</li> <li>*Cord, Power (See Note)</li> </ul> <p style="text-align: center;">ACCESSORIES/OPTIONS (Not Shown)</p> <ul style="list-style-type: none"> <li>*KIT, K.SDI INTERFACE</li> <li>**Module, Disk Data Channel</li> <li>*KIT, K.STI INTERFACE</li> <li>**Module, Tape Data Channel</li> <li>*KIT, K.SI INTERFACE (to 4 SDI Disk Drives)</li> <li>*KIT, CACHE MEMORY OPTION</li> <li>**Module 32 MB Read/Write-Through</li> <li>*KIT, K.SI INTERFACE (to 8 SDI DISK DRIVES)</li> <li>**Module, K.IS 4 Port SI Channel Controller</li> <li>*Documentation, "HSC Installation Manual"</li> <li>*Kit, HSC Software Bln RX33</li> </ul> <p style="text-align: center;">NOTE: BN03A-2E Power Cord is used in place of BN02A-2E on VT220 &amp; LA75 for installation requiring 220V input.</p> | <ul style="list-style-type: none"> <li>70-08288-8F</li> <li>BC22D-25</li> <li>BN03A-2E</li> <br/> <li>HSC5X-BA</li> <li>L0108-YA</li> <li>HSC5X-CA</li> <li>L0108-YB</li> <li>HSC5X-DA</li> <li>HSC9X-BA</li> <li>L0121-AA</li> <li>HSC9X-FA</li> <li>L0119-YB</li> <li>EK-HSCMN-IN</li> <li>QX926-H7</li> </ul> |                        |              |             |



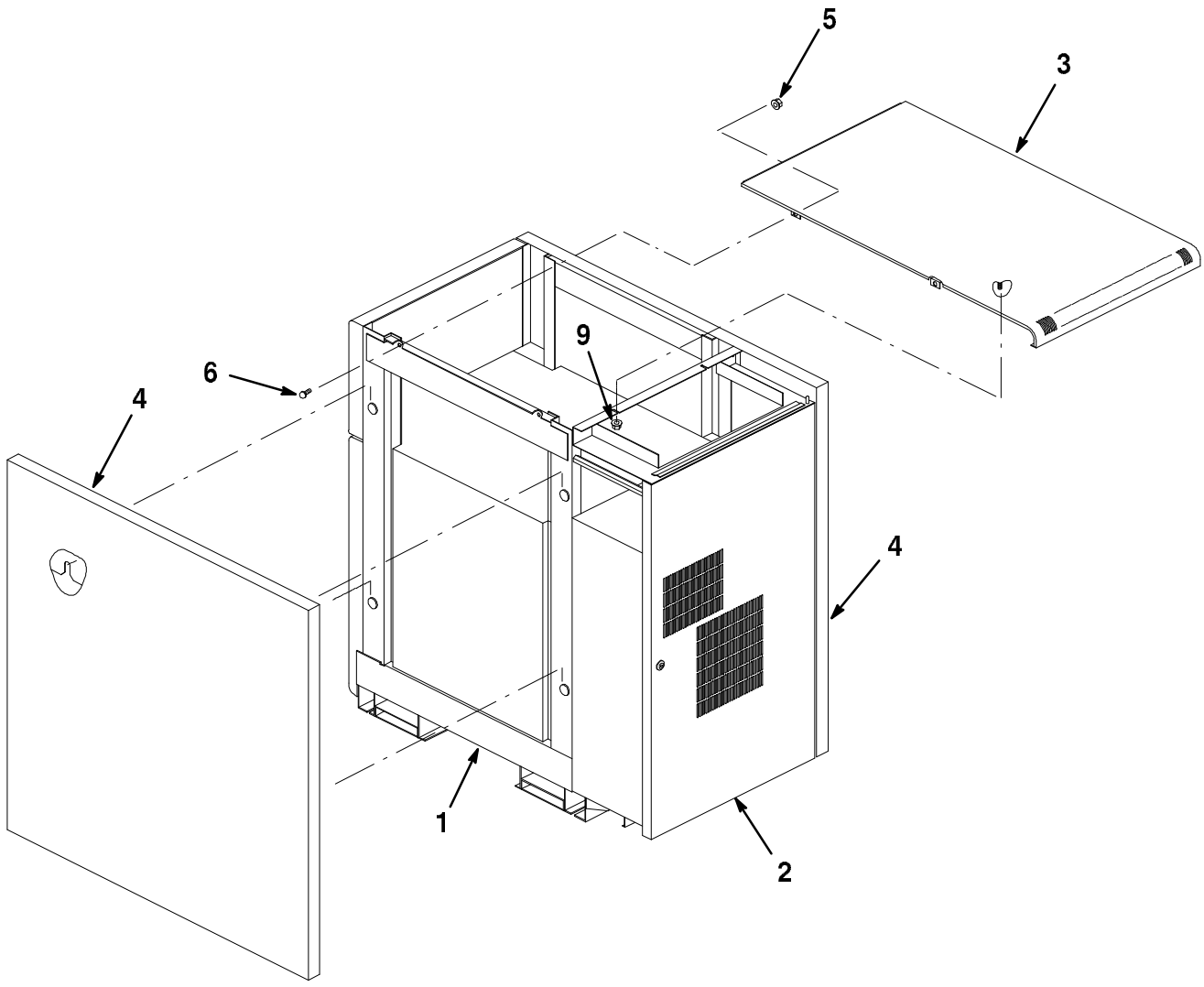
HSC96-03-IL

**Figure 3. Mechanical Assembly, Top (Sheet 1 of 3)**



HSC96-03A-IL

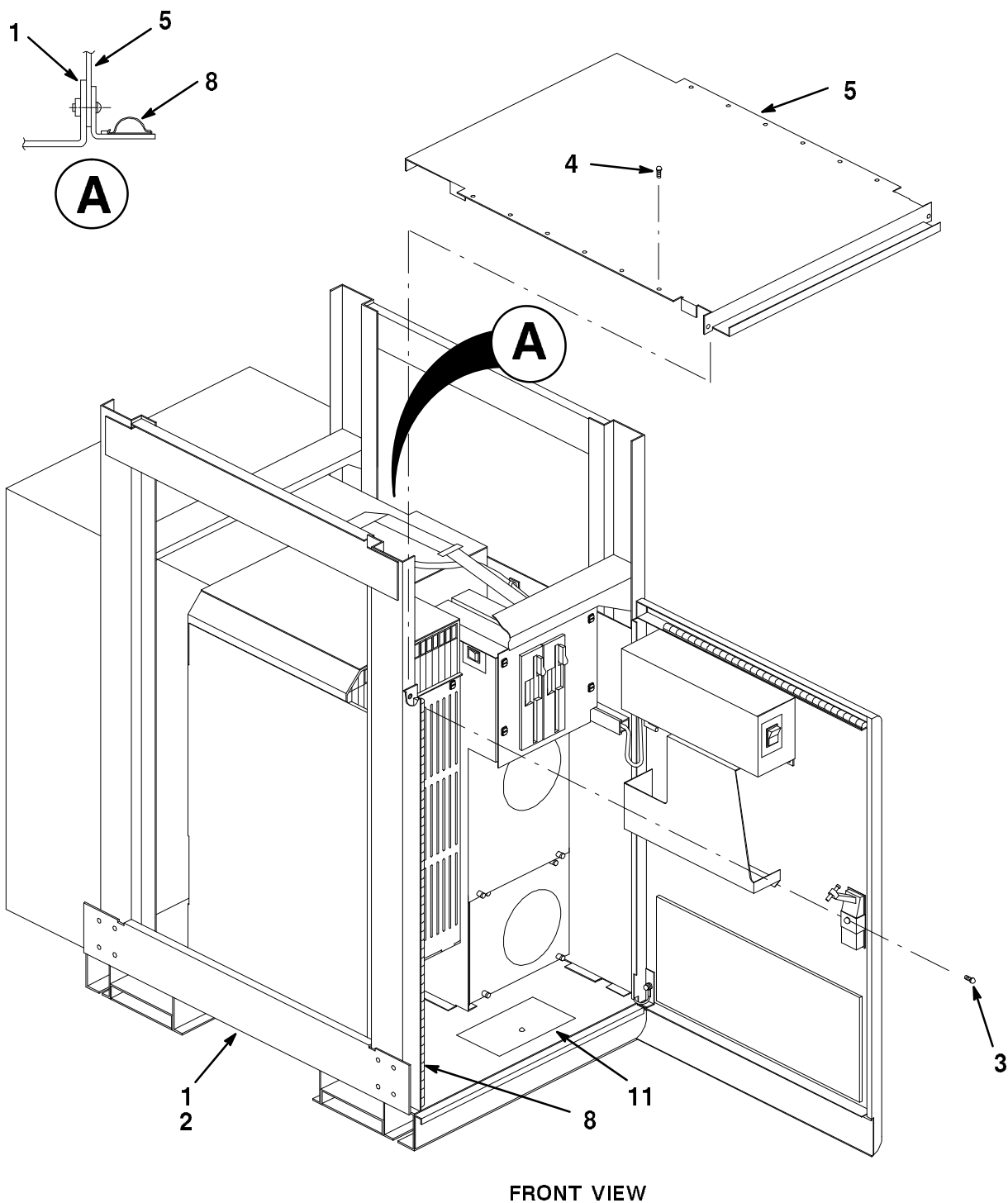
**Figure 3. Mechanical Assembly, Top (Sheet 2 of 3)**



HSC96-03B-IL

**Figure 3. Mechanical Assembly, Top (Sheet 3 of 3)**

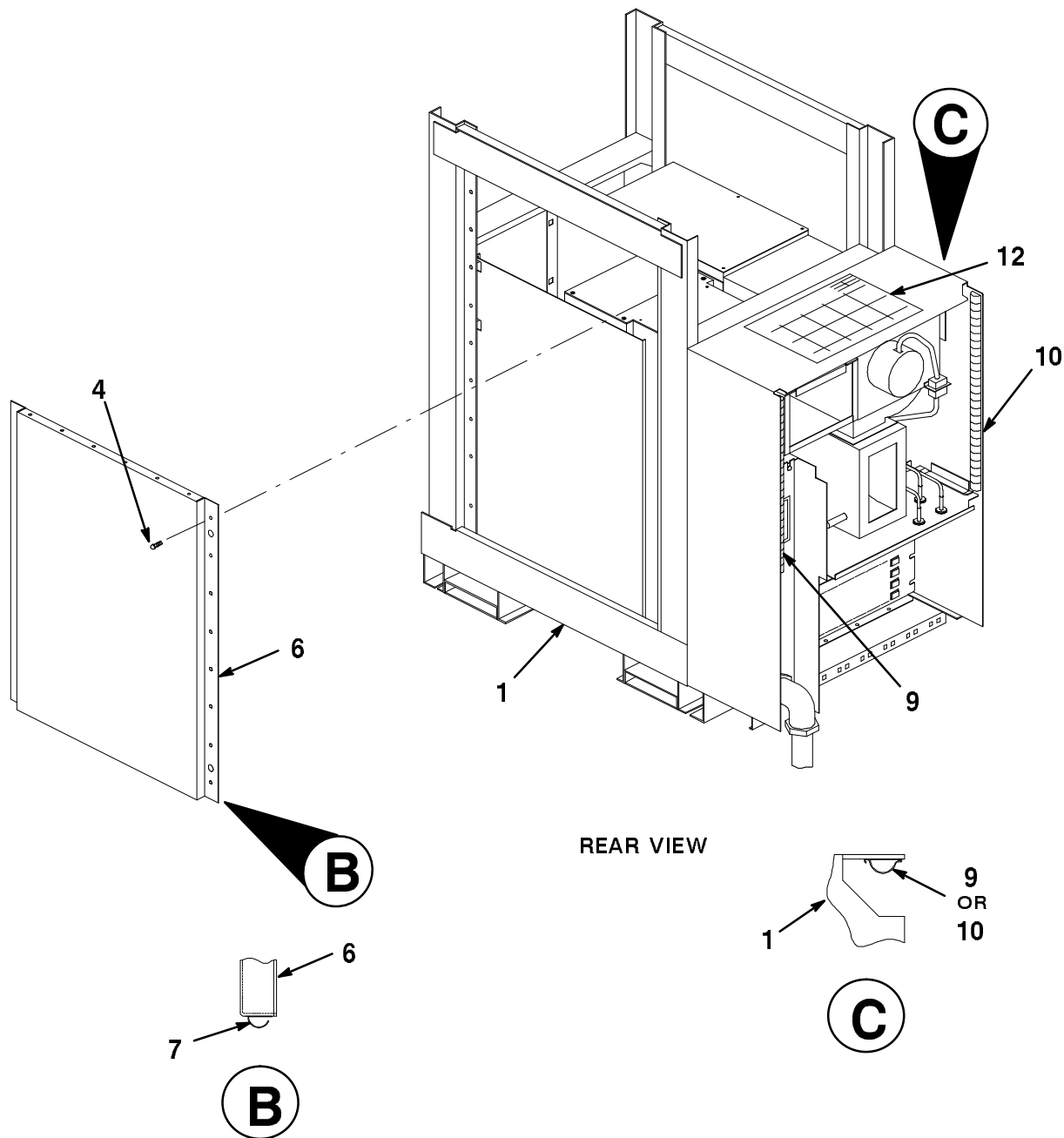
| FIG.&<br>ITEM<br>NO. | DESCRIPTION                               | DEC<br>PART NO. | F<br>ECO<br>CUT-IN<br>70-23139<br>00000 | USED<br>ON<br>CODE | REF<br>FIG<br>NO. |
|----------------------|---|-----------------|---|--------------------|-------------------|
| 3-                   | MECHANICAL ASSEMBLY, HSC TOP              | 70-23139-05     |   | A                  | 1                 |
|                      | MECHANICAL ASSEMBLY, HSC TOP              | 70-23139-06     |   | B                  | 1                 |
|                      | MECHANICAL ASSEMBLY, HSC TOP              | 70-23139-07     |   | E                  | 2                 |
|                      | MECHANICAL ASSEMBLY, HSC TOP              | 70-23139-08     |   | F                  | 2                 |
|                      | MECHANICAL ASSEMBLY, HSC TOP              | 70-23139-15     |   | C                  | 1                 |
|                      | MECHANICAL ASSEMBLY, HSC TOP              | 70-23139-16     |   | D                  | 1                 |
|                      | MECHANICAL ASSEMBLY, HSC TOP              | 70-23139-17     |   | G                  | 2                 |
|                      | MECHANICAL ASSEMBLY, HSC TOP              | 70-23139-18     |   | H                  | 2                 |
| 1                    | *CABINET/SHIELD ASSEMBLY (120V 60 Hz)     | 70-23126-05     |   | A                  | 4                 |
|                      | *CABINET/SHIELD ASSEMBLY (240V 50 Hz)     | 70-23126-06     |   | B                  | 4                 |
|                      | *CABINET/SHIELD ASSEMBLY (120V 60 Hz)     | 70-23126-07     |   | E                  | 4                 |
|                      | *CABINET/SHIELD ASSEMBLY (240V 50 Hz)     | 70-23126-08     |   | F                  | 4                 |
|                      | *CABINET/SHIELD ASSEMBLY (120V 60 Hz)     | 70-23126-15     |   | C                  | 4                 |
|                      | *CABINET/SHIELD ASSEMBLY (240V 50 Hz)     | 70-23126-16     |   | D                  | 4                 |
|                      | *CABINET/SHIELD ASSEMBLY (120V 60 Hz)     | 70-23126-17     |   | G                  | 4                 |
|                      | *CABINET/SHIELD ASSEMBLY (240V 50 Hz)     | 70-23126-18     |   | H                  | 4                 |
| 2                    | *DOOR ASSEMBLY, REAR                      | 70-23125-01     |   |                    | 16                |
| 3                    | *Cover Weldment, Top                      | 70-19675-01     |   |                    |                   |
| 4                    | *PANEL ASSEMBLY, END (40 INCH)            | 70-19083-01     |   |                    | 14                |
| 5                    | *Nut, Kep No. 8-32                        | 90-06563-00     |   |                    |                   |
| 6                    | *Screw, Phi Pan Hd No. 8-32 x 3/8         | 90-06037-01     |   |                    |                   |
| 7                    | *Screw, Sems Hex Slot Hd No. 10-16 x 1/2  | 90-00049-73     |   |                    |                   |
| 8                    | *Bezel Assembly (10-1/2 Inch)             | 70-23906-01     |   |                    |                   |
| 9                    | *Nut, Kep No. 10-32                       | 90-06565-00     |   |                    |                   |
| 10                   | *Screw, Self-Tap Truss Hd No. 10-32 x 1/2 | 90-00063-39     |   |                    |                   |
| 11                   | *Bracket Weldment, Rear Vent Support      | 70-19674-01     |   |                    |                   |
| 12                   | *STOP ASSEMBLY, DOOR                      | 70-19088-01     |   |                    |                   |
| 13                   | **Standoff, Male/Female No. 6-32          | 12-19713-01     |   |                    |                   |
| 14                   | **Bumper, Screw Mount Rubber              | 90-09168-00     |   |                    |                   |
| 15                   | **Screw, Sems Phi Pan Hd No. 6-32 x 3/8   | 90-06022-01     |   |                    |                   |
| 16                   | *Gasket, Rear Door                        | 74-33501-01     |   |                    |                   |
| 17                   | *Gasket, Rear Door (Bottom)               | 74-33501-02     |   |                    |                   |
| 18                   | *Plug, Button (White Nylon)               | 90-10648-02     |   |                    |                   |
| 19                   | *Clamp, SI Cable                          | 74-33488-01     |   |                    |                   |
| 20                   | *Screw, Sems Phi Pan Hd No. 10-32 x 11/32 | 12-21368-03     |   |                    |                   |
| 21                   | *Spring, Receptacle Fastener 1/4 Turn     | 12-12972-02     |   |                    |                   |
| 22                   | *Bracket, Rear Lock                       | 74-27182-01     |   |                    |                   |
| 23                   | *Foot, Leveler                            | 90-07601-01     |   |                    |                   |
| 24                   | *Nut, Hex No. 1/2 x 13                    | 90-06596-00     |   |                    |                   |
| 25                   | *Washer, Split Lock                       | 90-09895-00     |   |                    |                   |
| 26                   | *Washer, Flat                             | 90-09026-00     |   |                    |                   |
| 27                   | *Nut, Tee No. 1/2-13                      | 90-08878-00     |   |                    |                   |



FRONT VIEW

HSC96-04-IL

Figure 4. Cabinet/Shield Assembly (Sheet 1 of 2)

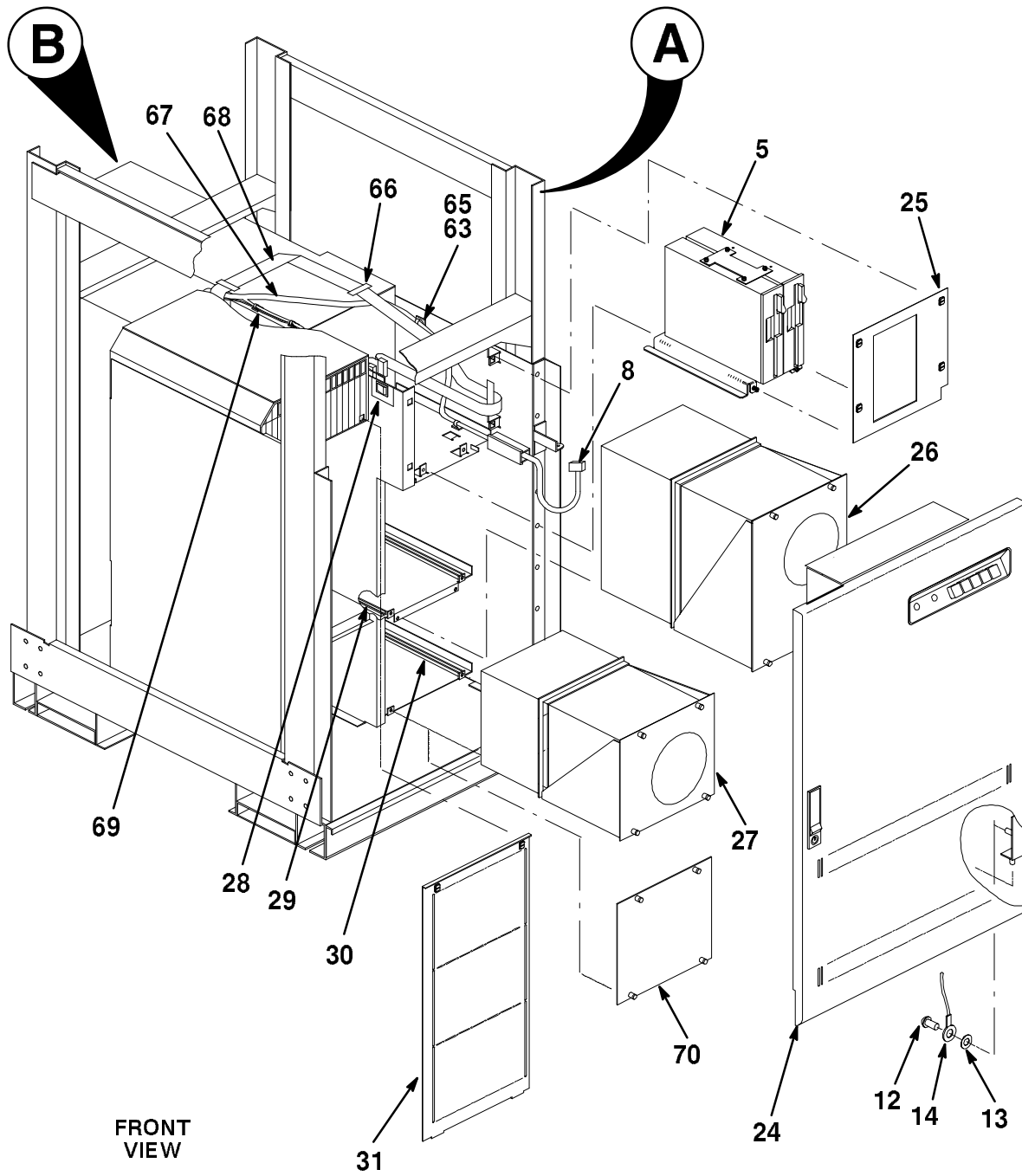


HSC96-04A-IL

Figure 4. Cabinet/Shield Assembly (Sheet 2 of 2)

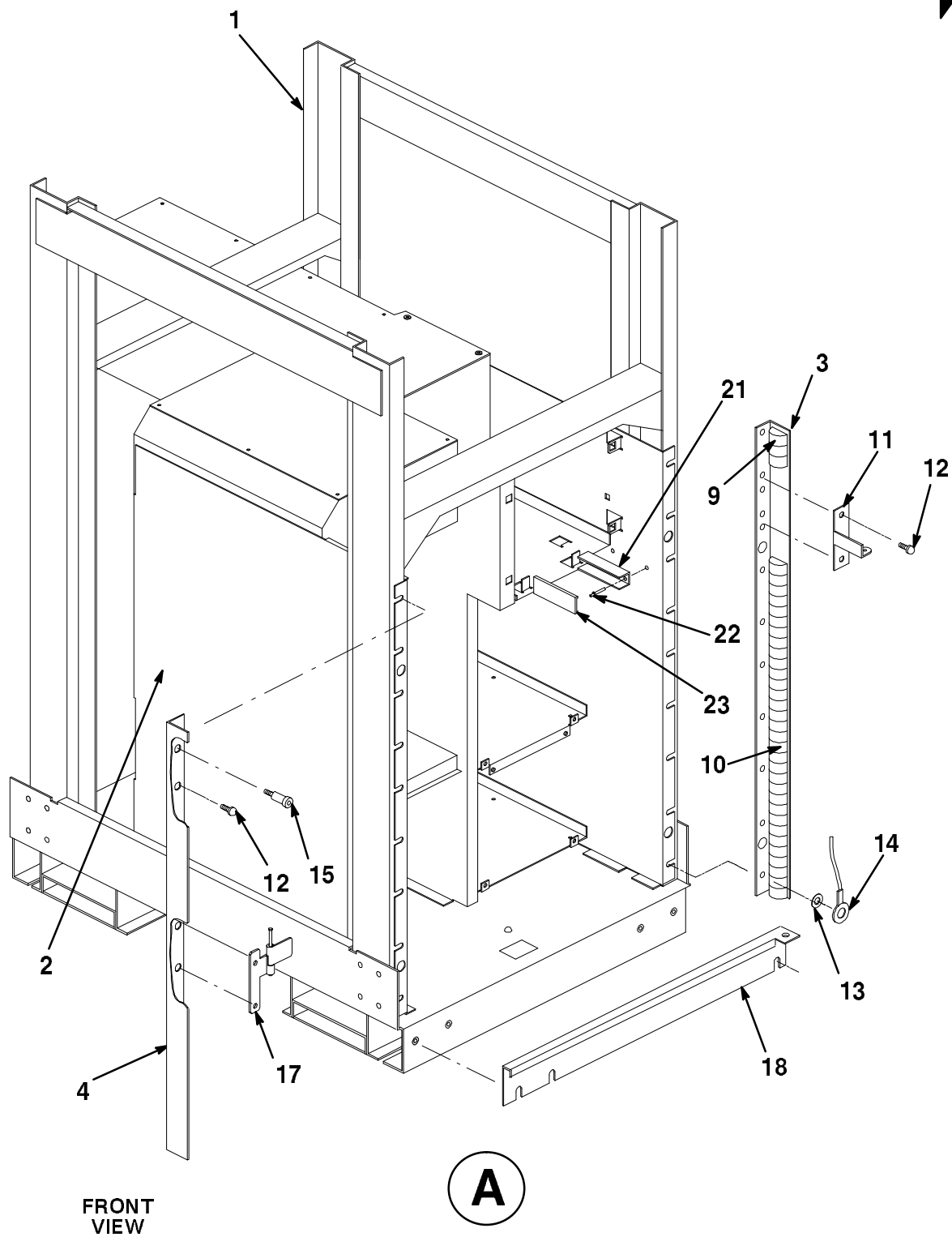
| FIG. & ITEM NO. | DESCRIPTION  | DEC PART NO. | ECO CUT-IN HSC70 00012 | USED ON CODE | REF FIG NO. |
|-----------------|--|--------------|------------------------|--------------|-------------|
| 4-              | CABINET/SHIELD ASSEMBLY (120V 60 Hz)                                 | 70-23126-05  |                        | A            | 3           |
|                 | CABINET/SHIELD ASSEMBLY (240V 50 Hz)                                 | 70-23126-06  |                        | B            | 3           |
|                 | CABINET/SHIELD ASSEMBLY (120V 60 Hz)                                 | 70-23126-07  |                        | E            | 3           |
|                 | CABINET/SHIELD ASSEMBLY (240V 50 Hz)                                 | 70-23126-08  |                        | F            | 3           |
|                 | CABINET/SHIELD ASSEMBLY (120V 60 Hz)                                 | 70-23126-15  |                        | C            | 3           |
|                 | CABINET/SHIELD ASSEMBLY (240V 50 Hz)                                 | 70-23126-16  |                        | D            | 3           |
|                 | CABINET/SHIELD ASSEMBLY (120V 60 Hz)                                 | 70-23126-17  |                        | G            | 3           |
|                 | CABINET/SHIELD ASSEMBLY (240V 50 Hz)                                 | 70-23126-18  |                        | H            | 3           |
| 1               | *CABINET/MODULE ASSEMBLY (120V 60 Hz)                                | 70-23127-01  |                        | A            |             |
|                 | *CABINET/MODULE ASSEMBLY (240V 50 Hz)                                | 70-23127-02  |                        | B            |             |
|                 | *CABINET/MODULE ASSEMBLY 1 P.S.(60 Hz)                               | 70-23127-03  |                        | A            |             |
|                 | *CABINET/MODULE ASSEMBLY 1 P.S.(50 Hz)                               | 70-23127-04  |                        | B            |             |
| 2               | **CABINET ASSEMBLY (120V 60 Hz)                                      | 70-23128-01  |                        | A            | 5           |
|                 | **CABINET ASSEMBLY (240V 50 Hz)                                      | 70-23128-02  |                        | B            | 5           |
| 3               | *Screw, Sems Phi Pan Hd No. 10-32 x 5/8                              | 12-21368-02  |                        |              |             |
| 4               | *Screw, Sems Phi Pan Hd No. 10-32 x 11/32                            | 12-21368-03  |                        |              |             |
| 5               | *Shield, Top Cover   | 74-27100-01  |                        |              |             |
| 6               | *Shield, Side  | 74-27098-01  |                        |              |             |
| 7               | *Shield, EMI/RFI, 68 Contacts, Adhesive                              | 12-16007-06  |                        |              |             |
| 8               | *Shield, EMI/RFI, 68 Contacts, Adhesive                              | 12-20580-19  |                        |              |             |
| 9               | *Shield, EMI/RFI, 34 Contacts, Adhesive                              | 12-20580-13  |                        |              |             |
| 10              | *Shield, EMI/RFI, 43 Contacts, Adhesive                              | 12-20580-14  |                        |              |             |
| 11              | *Label, "Warning, Air Inlet"   | 36-21683-01  |                        |              |             |
| 12              | *Label, "Rear Door I/O, HSC70"                                       | 36-21686-02  |                        |              |             |
|                 | <b>MODULES (Not Shown) (See Note)</b>                                |              |                        |              |             |
|                 | **Blank, Module  | 74-28263-01  |                        |              |             |
|                 | **Module, J-11 I/O Processor   | L0111-00     |                        |              |             |
|                 | **Module, HSC70 Standard Memory                                      | L0117-AA     |                        |              |             |
|                 | **Module, HSC50 K.PL (PLI Port Control)                              | L0107-YA     |                        |              |             |
|                 | **Module, HSC50 PILA (Packet Buffer Board)                           | L0109-00     |                        |              |             |
|                 | **Module, Interprocessor Link Interface                              | L0100-00     |                        |              |             |
|                 | NOTE: These modules are included in Cabinet/Module Assembly, Item 1. |              |                        |              |             |

THIS PAGE INTENTIONALLY LEFT BLANK



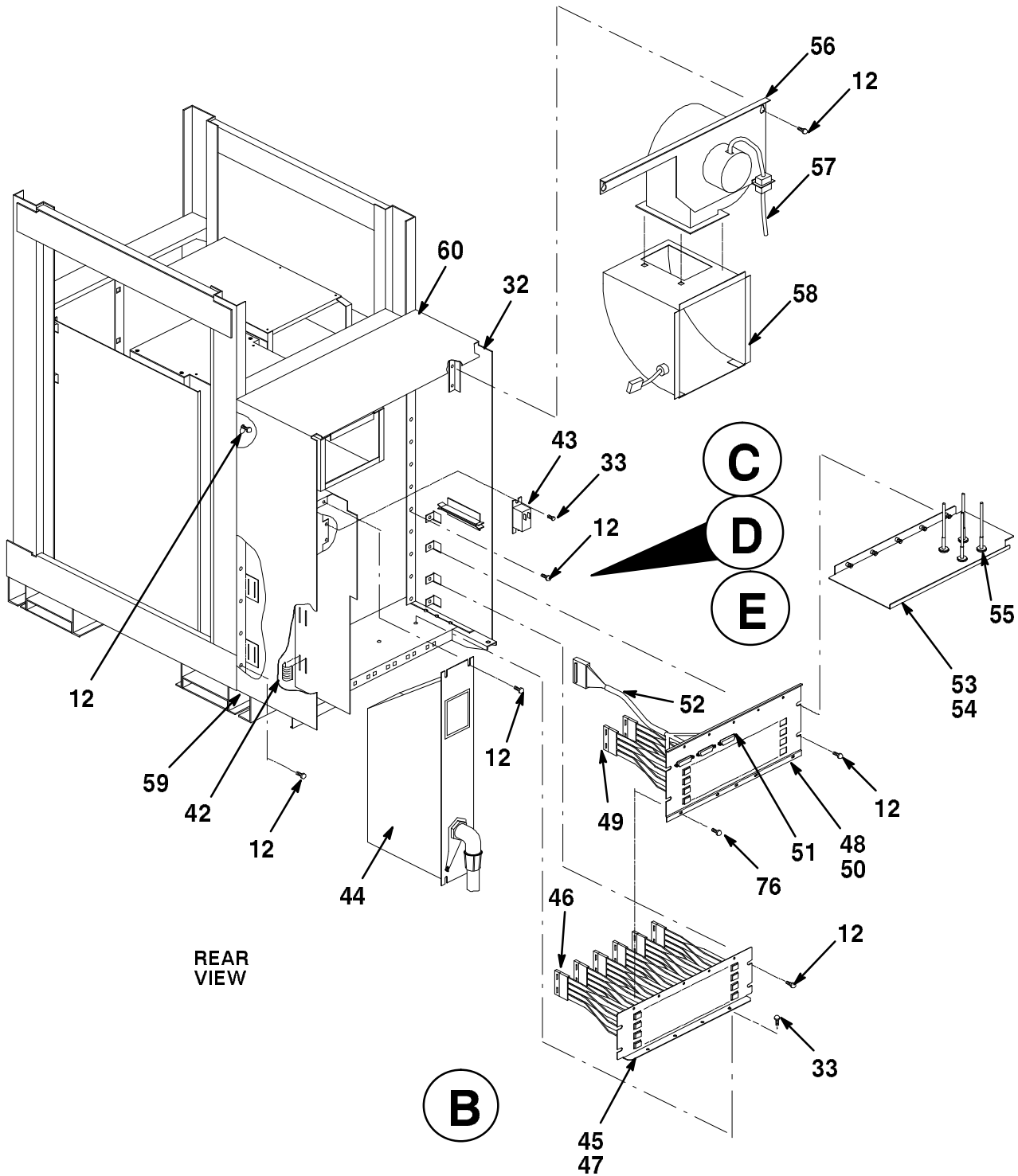
HSC96-05-IL

Figure 5. Cabinet Assembly (Sheet 1 of 8)



HSC96-05A-IL

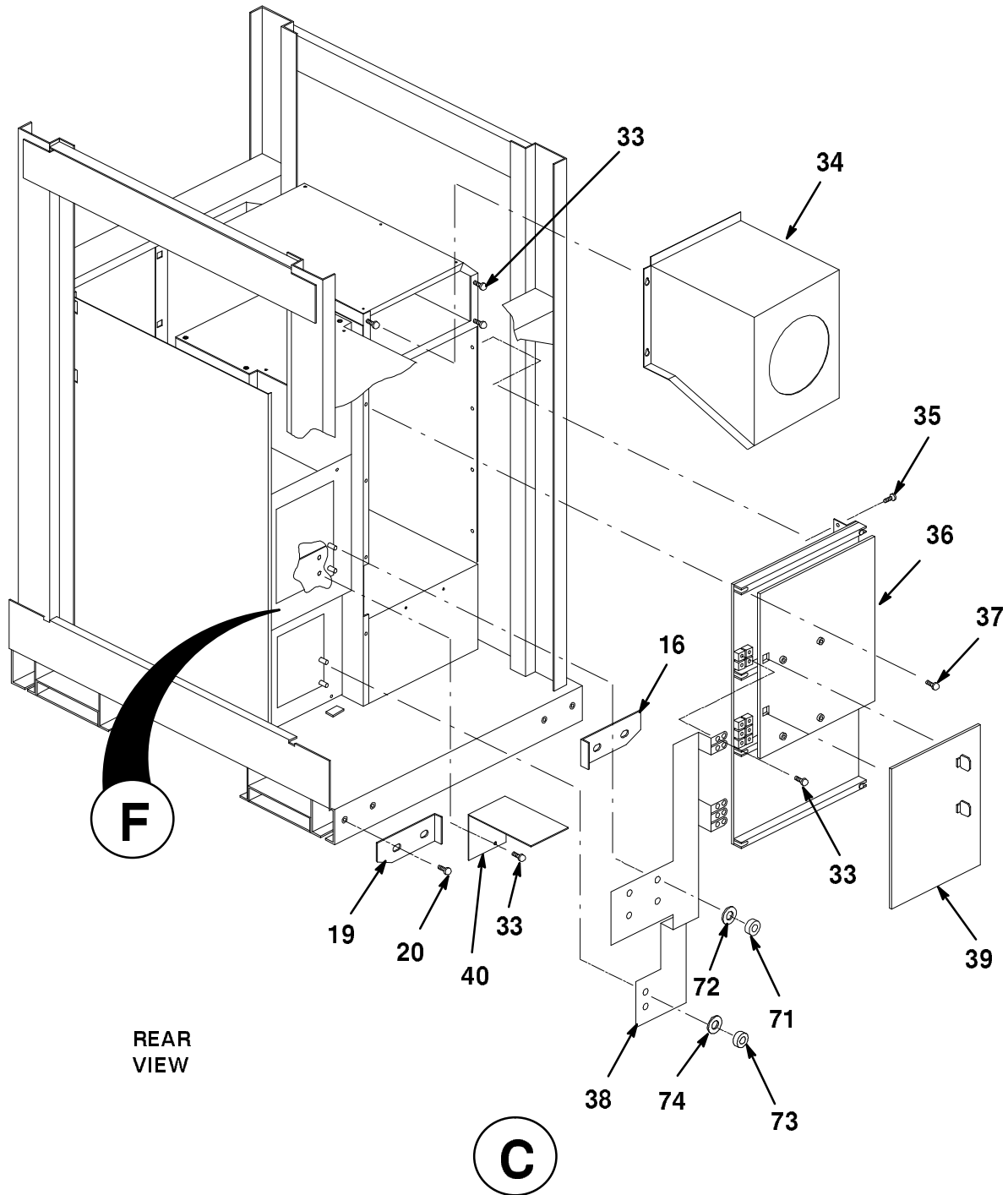
Figure 5. Cabinet Assembly (Sheet 2 of 8)



REAR VIEW

HSC96-05B-IL

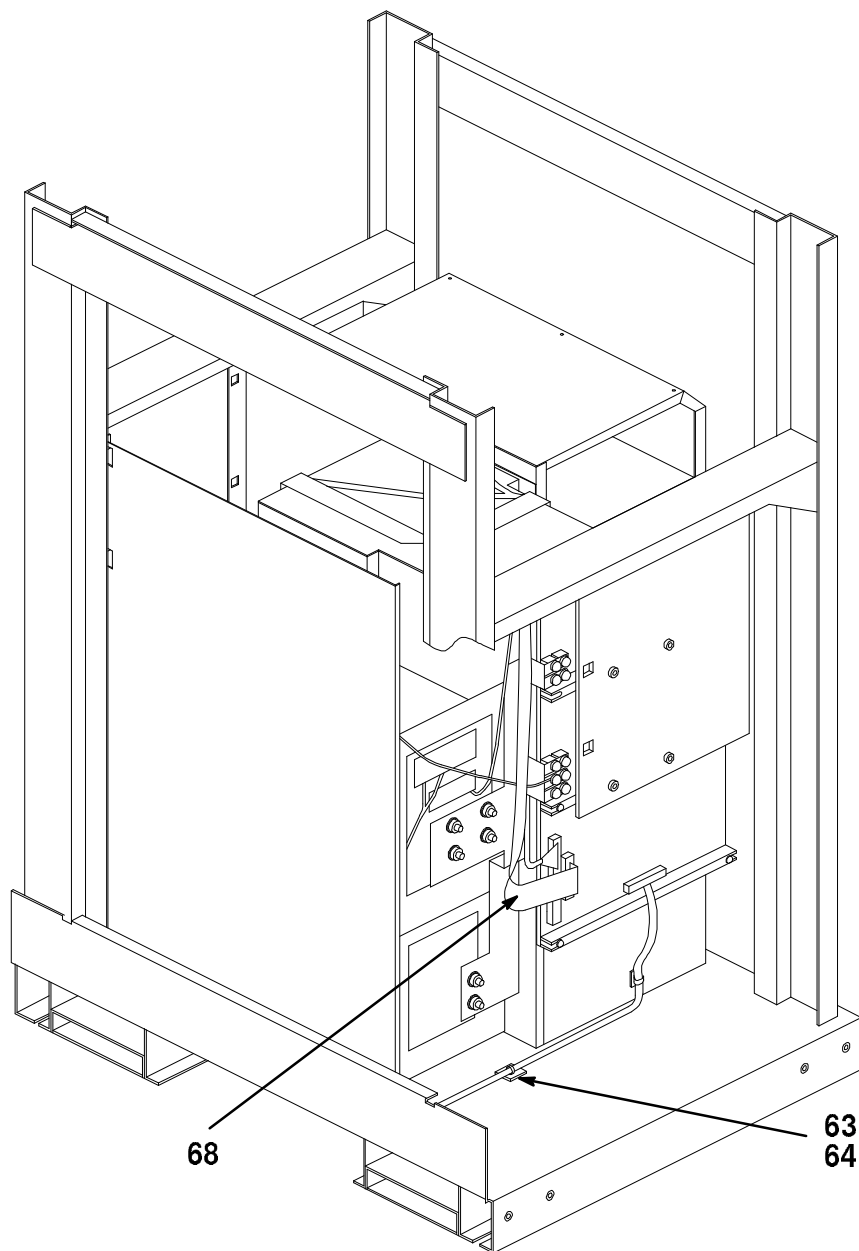
Figure 5. Cabinet Assembly (Sheet 3 of 8)



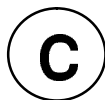
REAR  
VIEW

HSC96-05C-IL

Figure 5. Cabinet Assembly (Sheet 4 of 8)

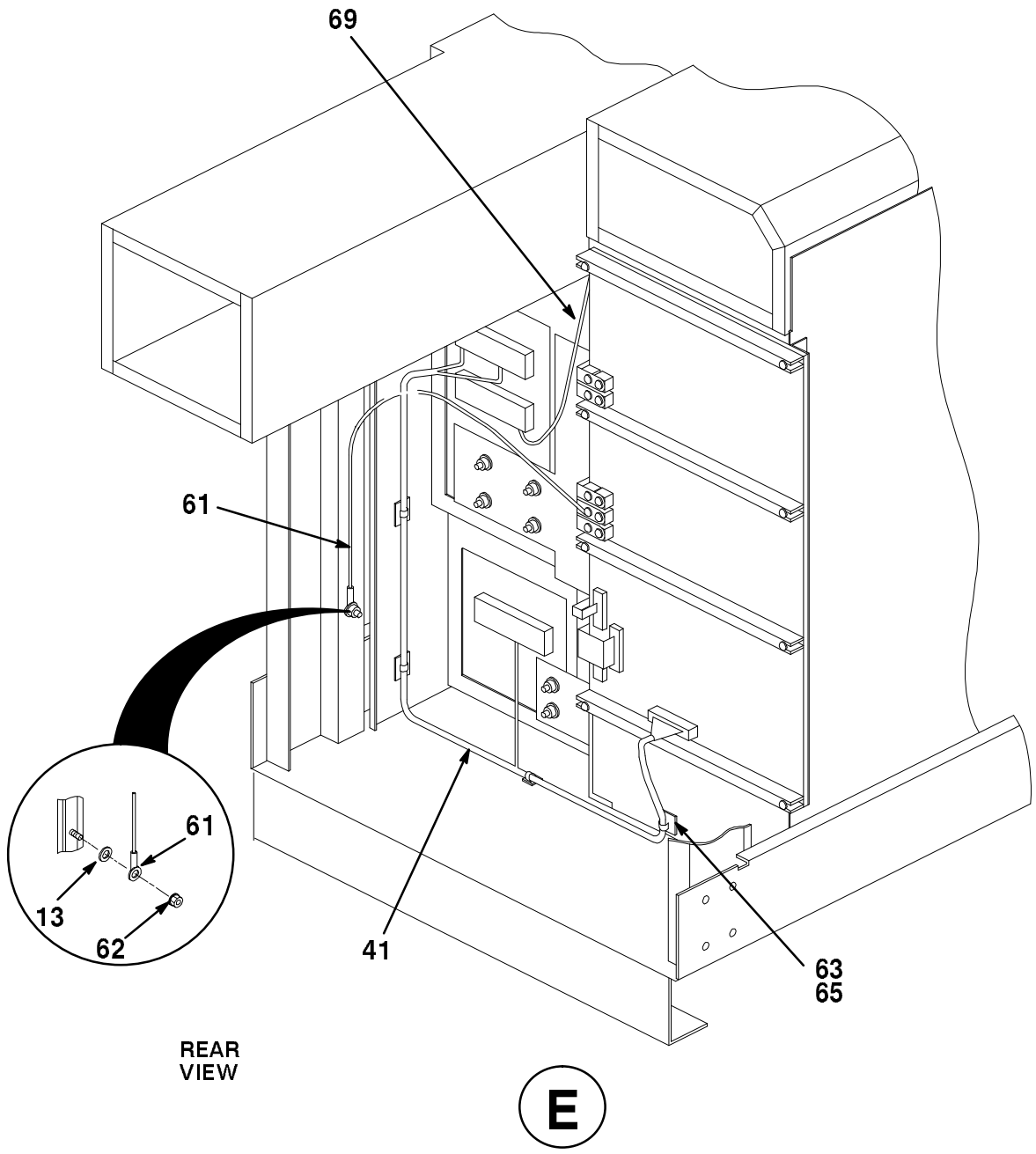


REAR  
VIEW



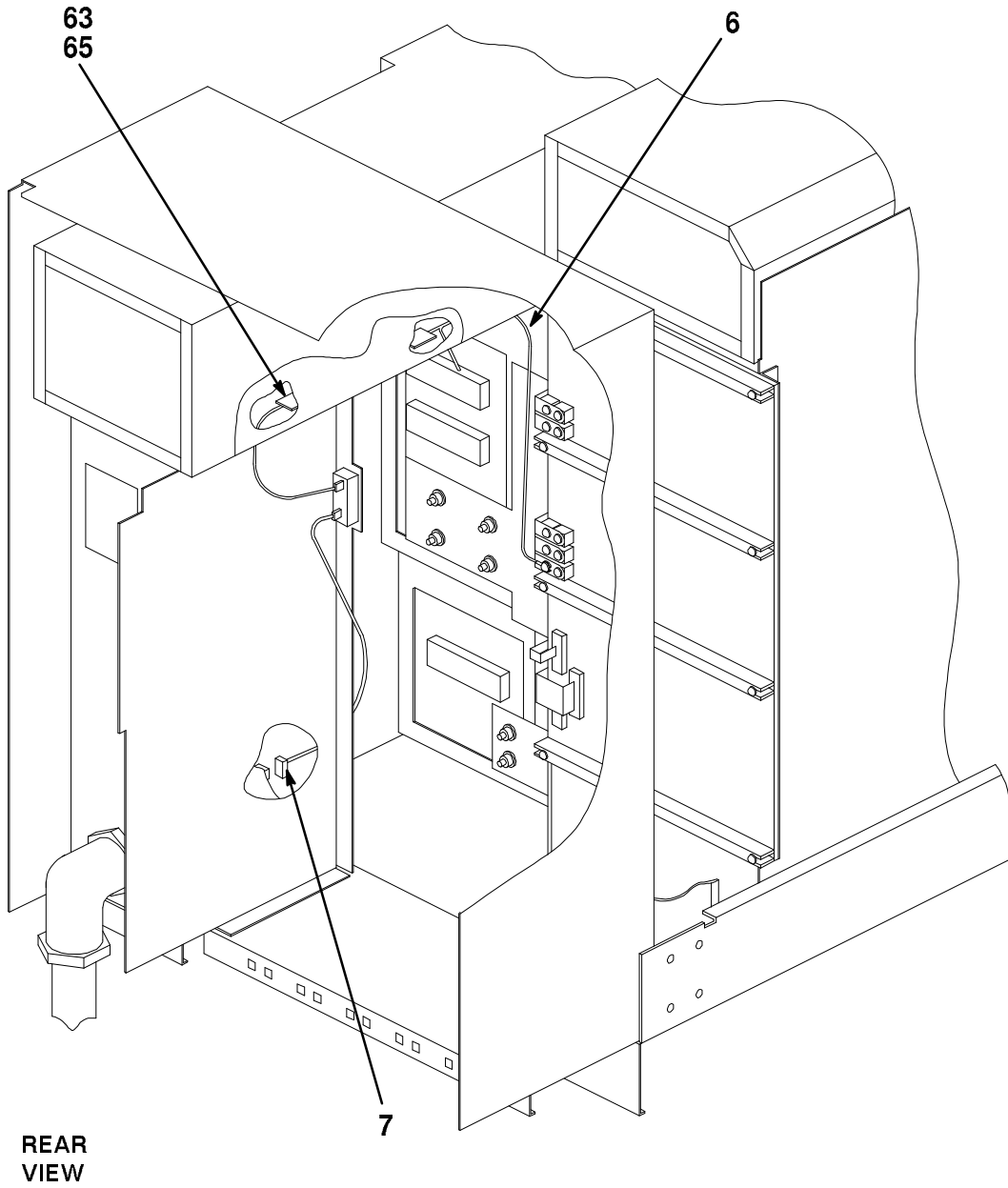
HSC96-05D-IL

**Figure 5. Cabinet Assembly (Sheet 5 of 8)**



HSC96-05E-IL

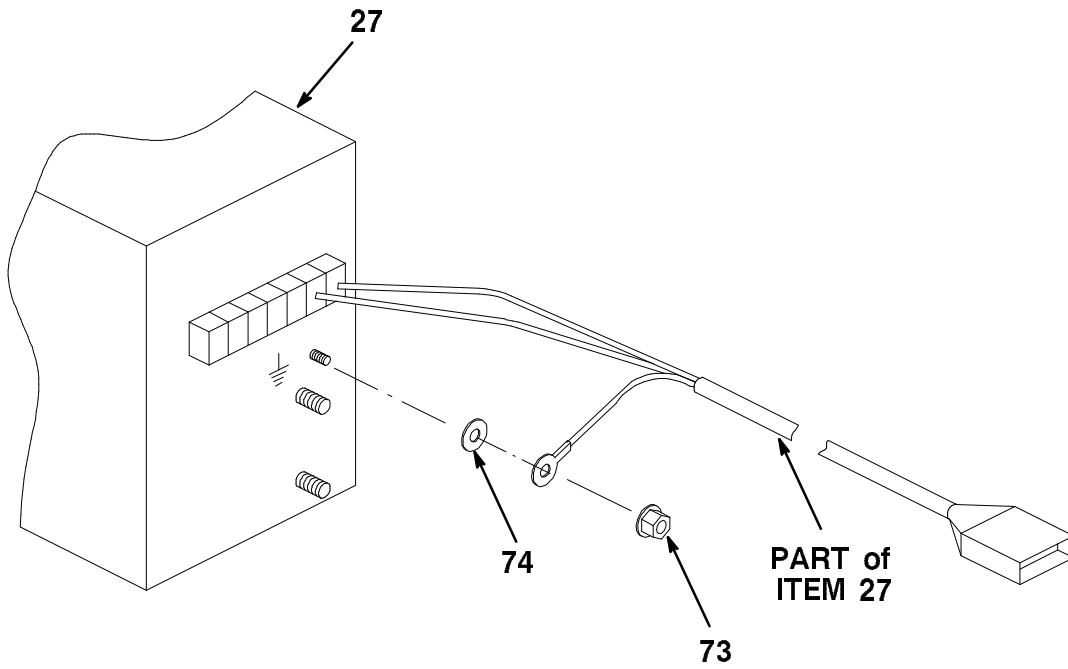
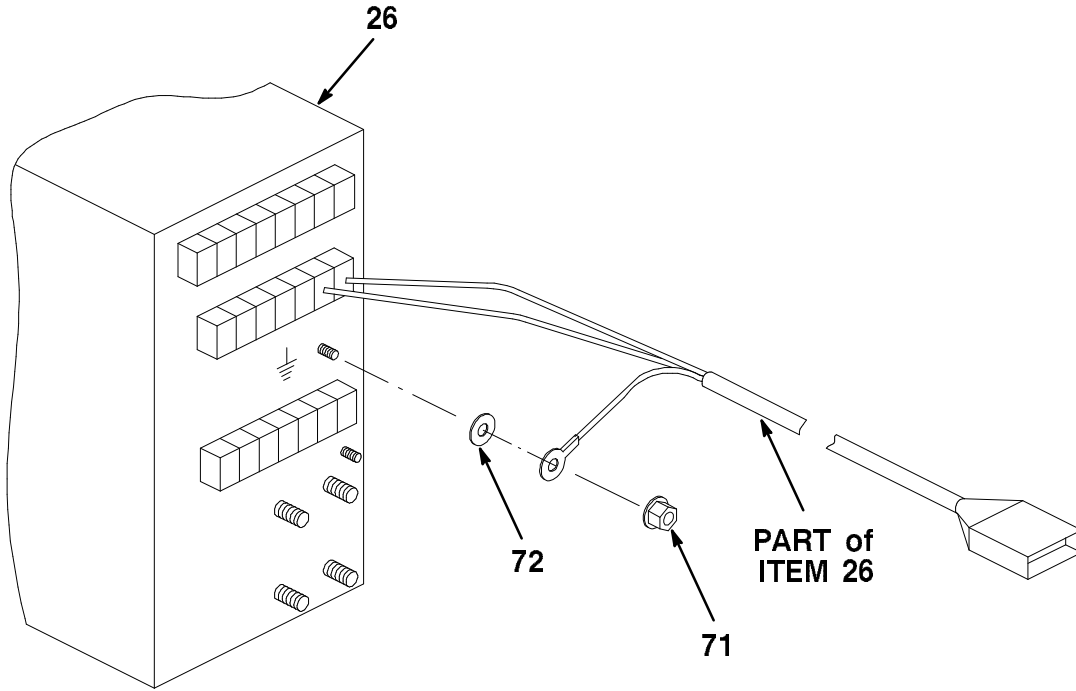
Figure 5. Cabinet Assembly (Sheet 6 of 8)



REAR  
VIEW

HSC96-05F-IL

**Figure 5. Cabinet Assembly (Sheet 7 of 8)**



**F**

HSC96-05F-IL

Figure 5. Cabinet Assembly (Sheet 8 of 8)

| FIG.&<br>ITEM<br>NO. | DESCRIPTION  | DEC<br>PART NO. | E<br>ECO<br>CUT-IN<br>HSC70<br>00012A | USED<br>ON<br>CODE | REF<br>FIG<br>NO. |
|----------------------|--|-----------------|---------------------------------------|--------------------|-------------------|
| 5-                   | CABINET ASSEMBLY (120V 60 Hz)                                | 70-23128-01     |                                       | A                  | 4                 |
|                      | CABINET ASSEMBLY (240V 50 Hz)                                | 70-23128-02     |                                       | B                  | 4                 |
|                      | CABINET ASSEMBLY (120V 60 Hz)                                | 70-23128-03     |                                       | A                  | 4                 |
|                      | CABINET ASSEMBLY (240V 50 Hz)                                | 70-23128-04     |                                       | B                  | 4                 |
| 1                    | *FRAME ASSEMBLY  | 70-20031-01     |                                       |                    | 6                 |
| 2                    | *Chassis Assembly, Riveted                                   | 70-23137-01     |                                       |                    |                   |
| 3                    | *Shield, Front (RH)  | 74-26906-01     |                                       |                    |                   |
| 4                    | *Shield, Front (LH)  | 74-31953-01     |                                       |                    |                   |
| 5                    | *FLOPPY DRIVE/BRACKET ASSEMBLY                               | 70-23129-01     |                                       |                    | 7                 |
| 6                    | *Cable Assembly, Airflow Sensor                              | 17-01275-01     |                                       |                    |                   |
| 7                    | *Cable Assembly, Relay to Power Controller<br>Airflow Sensor | 17-01231-01     |                                       |                    |                   |
| 8                    | *Cable Assembly No. 2, DC On/Off Auxiliary<br>Power Supply   | 70-20199-01     |                                       |                    |                   |
| 9                    | *Shield, EMI/RFI, 8 Contacts                                 | 12-20580-08     |                                       |                    |                   |
| 10                   | *Shield, EMI/RFI, 57 Contacts                                | 12-20580-17     |                                       |                    |                   |
| 11                   | *Bracket, Front Door Pivot                                   | 74-31917-01     |                                       |                    |                   |
| 12                   | *Screw, Sems Phi Pan Hd No. 10-32 x 5/8                      | 12-21368-02     |                                       |                    |                   |
| 13                   | *Washer, Lock  | 90-06636-00     |                                       |                    |                   |
| 14                   | *Strap, Ground   | 12-13756-12     |                                       |                    |                   |
| 15                   | *Stop, Front Door  | 70-22480-01     |                                       |                    |                   |
| 16                   | *Bracket, End Panel Lock (RH)                                | 74-27514-01     |                                       |                    |                   |
| 17                   | *Bracket, Front Door Lock                                    | 74-31915-01     |                                       |                    |                   |
| 18                   | *Bracket, Shield Front, Lower                                | 74-31916-01     |                                       |                    |                   |
| 19                   | *Bracket, End Panel Lock (LH)                                | 74-27514-02     |                                       |                    |                   |
| 20                   | *Screw, Sems Slotted Hex No. 1/4-20 x 3/4                    | 90-09988-14     |                                       |                    |                   |
| 21                   | *Duct, Wiring  | 12-21394-04     |                                       |                    |                   |
| 22                   | *Rivet, Blind Binder   | 90-10413-02     |                                       |                    |                   |
| 23                   | *Cover, Wiring Duct  | 12-21394-04     |                                       |                    |                   |
| 24                   | *DOOR/OCP ASSEMBLY, FRONT                                    | 70-23130-01     |                                       |                    | 10                |
| 25                   | *Plate, Floppy Drive Cover                                   | 74-31829-01     |                                       |                    |                   |
| 26                   | *POWER SUPPLY ASSEMBLY, STANDARD<br>(120V 60 Hz)             | 70-20033-03     |                                       | A                  | 8                 |
|                      | *POWER SUPPLY ASSEMBLY, STANDARD<br>(240V 50 Hz)             | 70-20033-04     |                                       | B                  | 8                 |
| 27                   | *POWER SUPPLY ASSEMBLY, AUXILIARY<br>(120V 60 Hz)            | 70-20184-01     |                                       | A                  | 9                 |
|                      | *POWER SUPPLY ASSEMBLY, AUXILIARY<br>(240V 50 Hz)            | 70-20184-02     |                                       | B                  | 9                 |
| 28                   | *Switch, Rocker, Mini, On-Off (.5V 28V)                      | 12-25435-01     |                                       |                    |                   |
| 29                   | *Guide, Nylon Card (Brown-Red)                               | 12-17010-05     |                                       |                    |                   |
| 30                   | *Guide, Nylon Card (Brown-Red)                               | 12-17010-06     |                                       |                    |                   |
| 31                   | *Plate, Card Cage Cover                                      | 74-26888-01     |                                       |                    |                   |
| 32                   | *Frame Weldment Assembly, Extender                           | 70-22488-01     |                                       |                    |                   |
| 33                   | *Screw, Sems Phi Hd No. 6-32 x 3/8                           | 90-09984-00     |                                       |                    |                   |
| 34                   | *Inlet Weldment Assembly, Blower                             | 70-19251-01     |                                       |                    |                   |

| FIG. & ITEM NO. | DESCRIPTION   | DEC PART NO. | E<br>ECO CUT-IN HSC70 00012A | USED ON CODE | REF FIG NO. |
|-----------------|---|--------------|------------------------------|--------------|-------------|
| 5-              |   |              |                              |              |             |
| 35              | *Screw, Sems Phi Pan Hd No. 10-32 x 3/4                   | 12-21368-03  |                              |              |             |
| 36              | *Backplane Prep Assembly                                  | 70-23136-01  |                              |              |             |
| 37              | *Screw, Sems Phi Pan Hd No. 6-32 x 1-1/8                  | 12-21368-01  |                              |              |             |
| 38              | *Circuit, Flex-Bus Power                                  | 17-01265-01  |                              |              |             |
| 39              | *Cover, Jumper Bar  | 74-32314-01  |                              |              |             |
| 40              | *Baffle, Front  | 74-26885-01  |                              |              |             |
| 41              | *Harness Assembly, Backplane to Power Supply Interconnect | 17-01266-01  |                              |              |             |
| 42              | *Shield, Spring   | 74-26725-01  |                              |              |             |
| 43              | *Relay, 12V Coil 100mA                                    | 12-20996-01  |                              |              |             |
| 44              | *Controller Assembly, Power (120V 3-Phase 9 Out)          | 30-24374-01  |                              | A            |             |
|                 | *Controller Assembly, Power (240V 3-Phase 9 Outlet)       | 30-24374-02  |                              | B            |             |
| 45              | *I/O BULKHEAD ASSEMBLY, BOTTOM                            | 70-23135-01  |                              |              |             |
| 46              | **Cable Assembly, Shielded Coax                           | 17-00958-01  |                              |              |             |
| 47              | **Bulkhead, I/O Bottom                                    | 74-31827-01  |                              |              |             |
| 48              | *I/O BULKHEAD ASSEMBLY, TOP                               | 70-23134-01  |                              |              |             |
| 49              | **Cable Assembly, Shielded Coax                           | 17-00958-01  |                              |              |             |
| 50              | **Bulkhead, I/O Top                                       | 74-31828-01  |                              |              |             |
| 51              | **Screw, Assembly, Hex WW Female No. 4-40 x 5/16          | 12-15243-00  |                              |              |             |
| 52              | **Harness Assembly, Wire                                  | 17-01267-01  |                              |              |             |
| 53              | *CABLE ASSEMBLY, REAR SHIELD/CI                           | 70-23140-01  |                              |              |             |
| 54              | **Shield, Rear Bottom                                     | 74-31914-01  |                              |              |             |
| 55              | **Cable Assembly, CI Connector                            | 17-00717-01  |                              |              |             |
| 56              | *Blower, Centrifugal, 200 CFM 120V AC                     | 12-18828-00  |                              |              |             |
| 57              | *Cable Assembly, Blower AC Line                           | 17-01276-03  |                              | A            |             |
|                 | *Cable Assembly, Blower AC Line                           | 17-01276-02  |                              | B            |             |
| 58              | *DUCT ASSEMBLY, OUTLET                                    | 70-23219-01  |                              |              | 15          |
| 59              | *Shield, EMI/RFI, 68 Contacts                             | 12-16007-06  |                              |              |             |
| 60              | *Shield, EMI/RFI, 45 Contacts                             | 12-20580-15  |                              |              |             |
| 61              | *Strap, Ground  | 12-13756-28  |                              |              |             |
| 62              | *Nut, Kep No. 10-32 x 3/8                                 | 90-06565-00  |                              |              |             |
| 63              | *Tie, Bundle Cable  | 90-07031-00  |                              |              |             |
| 64              | *Mount, Adhesive Back Cable Tie                           | 90-08264-00  |                              |              |             |
| 65              | *Holder, Cable Tie  | 12-22992-01  |                              |              |             |
| 66              | *Clip, Snap-In Flat Cable                                 | 12-22950-02  |                              |              |             |
| 67              | *Cable Assembly, OCP/Backplane                            | 17-01215-01  |                              |              |             |
| 68              | *Cable Assembly, Floppy Signal                            | 17-01167-01  |                              |              |             |
| 69              | *Cable Assembly, DC On/Off Switch                         | 17-01231-02  |                              |              |             |

| FIG. & ITEM NO. | DESCRIPTION  | DEC PART NO.  | ECO CUT-IN HSC70 00012A | USED ON CODE  | REF FIG NO. |
|-----------------|--|---|-------------------------|---|-------------|
| 5-              | <p data-bbox="289 296 919 457"> 70 *Plate, Blank Front<br/> 71 *Nut, Hex Ext. Tooth Lock Washer No. 1/4-20<br/> 72 *Washer, Flat<br/> 73 *Nut, Hex Ext. Tooth Lock Washer No. 5/16 x 18<br/> 74 *Washer, Flat </p> <p data-bbox="383 533 667 562" style="text-align: center;"> <b>LABELS (Not Shown)</b> </p> <p data-bbox="289 602 854 764"> *Labels, "Card Cage Module"<br/> *Labels, "Serial/Power w/UL &amp; CSA Logos"<br/> *Label, "FCC, Class A Peripheral"<br/> *Label, "Card Cage"<br/> *Label, "DC Power" </p> | <p data-bbox="938 296 1109 457"> 74-26567-01<br/> 90-08203-00<br/> 90-06676-00<br/> 90-06568-00<br/> 90-06679-00 </p> <p data-bbox="938 602 1101 764"> 36-21684-02<br/> 36-17674-01<br/> 36-17880-03<br/> 36-21758-02<br/> 36-25418-01 </p> |                         | <p data-bbox="1312 296 1336 321" style="text-align: center;">B</p> <p data-bbox="1312 674 1336 699" style="text-align: center;">A</p> |             |

**THIS PAGE INTENTIONALLY LEFT BLANK**

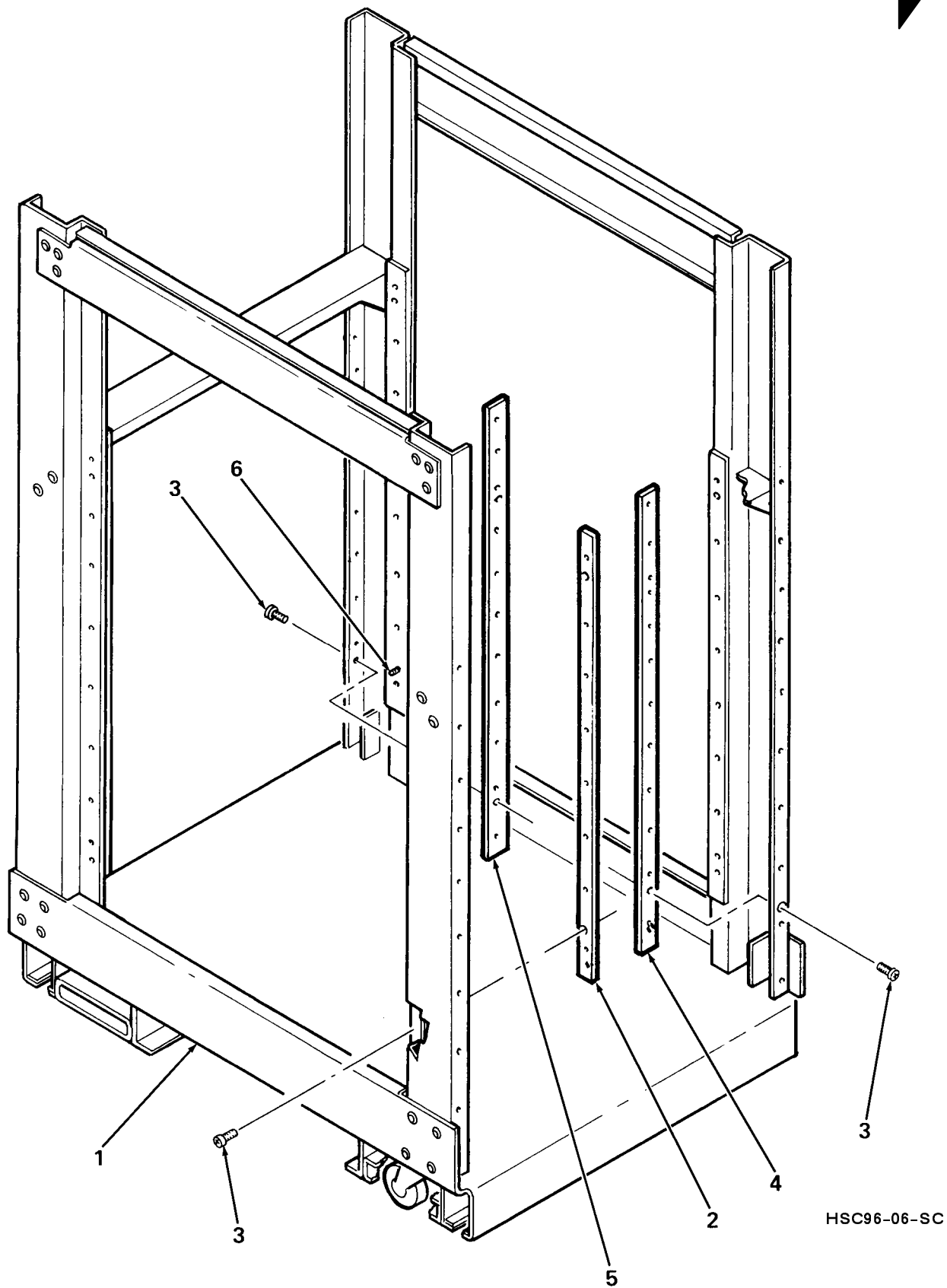
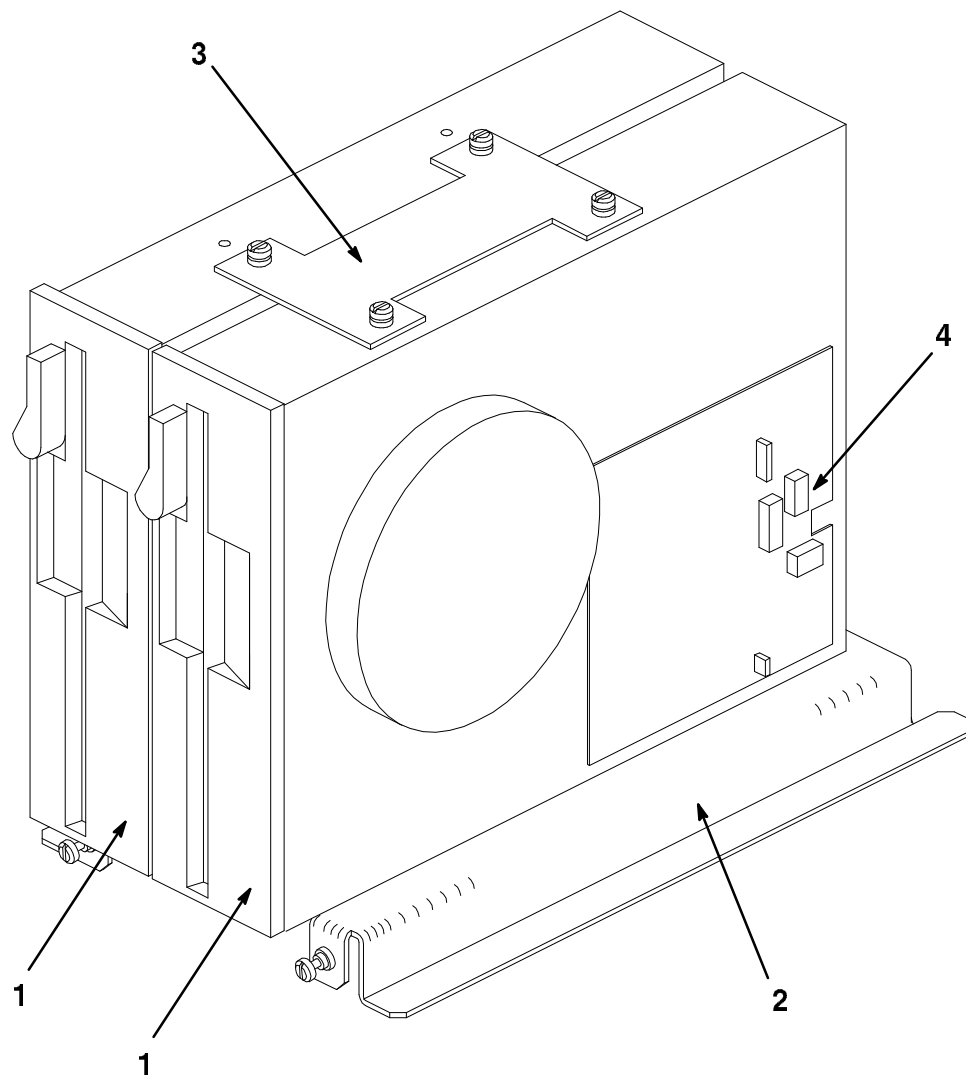


Figure 6. Frame Assembly

| FIG.&<br>ITEM<br>NO. | DESCRIPTION                              | DEC<br>PART NO. <sup>B</sup> | ECO<br>CUT-IN<br>70-20031<br>00001 | USED<br>ON<br>CODE | REF<br>FIG<br>NO. |
|----------------------|--|------------------------------|------------------------------------|--------------------|-------------------|
| 6-                   | FRAME ASSEMBLY                           | 70-20031-01                  |                                    |                    | 5                 |
| 1                    | *Frame Assembly                          | 70-20193-01                  |                                    |                    |                   |
| 2                    | *Bar, Nut                                | 74-27099-01                  |                                    |                    |                   |
| 3                    | *Screw, Sems Phi Pan Hd No. 10-32 x 9/32 | 12-21368-04                  |                                    |                    |                   |
| 4                    | *Bar, Front Nut                          | 74-28326-01                  |                                    |                    |                   |
| 5                    | *Bar, Rear Nut                           | 74-28327-01                  |                                    |                    |                   |
| 6                    | *Screw, Sems Phi Pan Hd No. 10-32 x 5/8  | 12-21368-04                  |                                    |                    |                   |

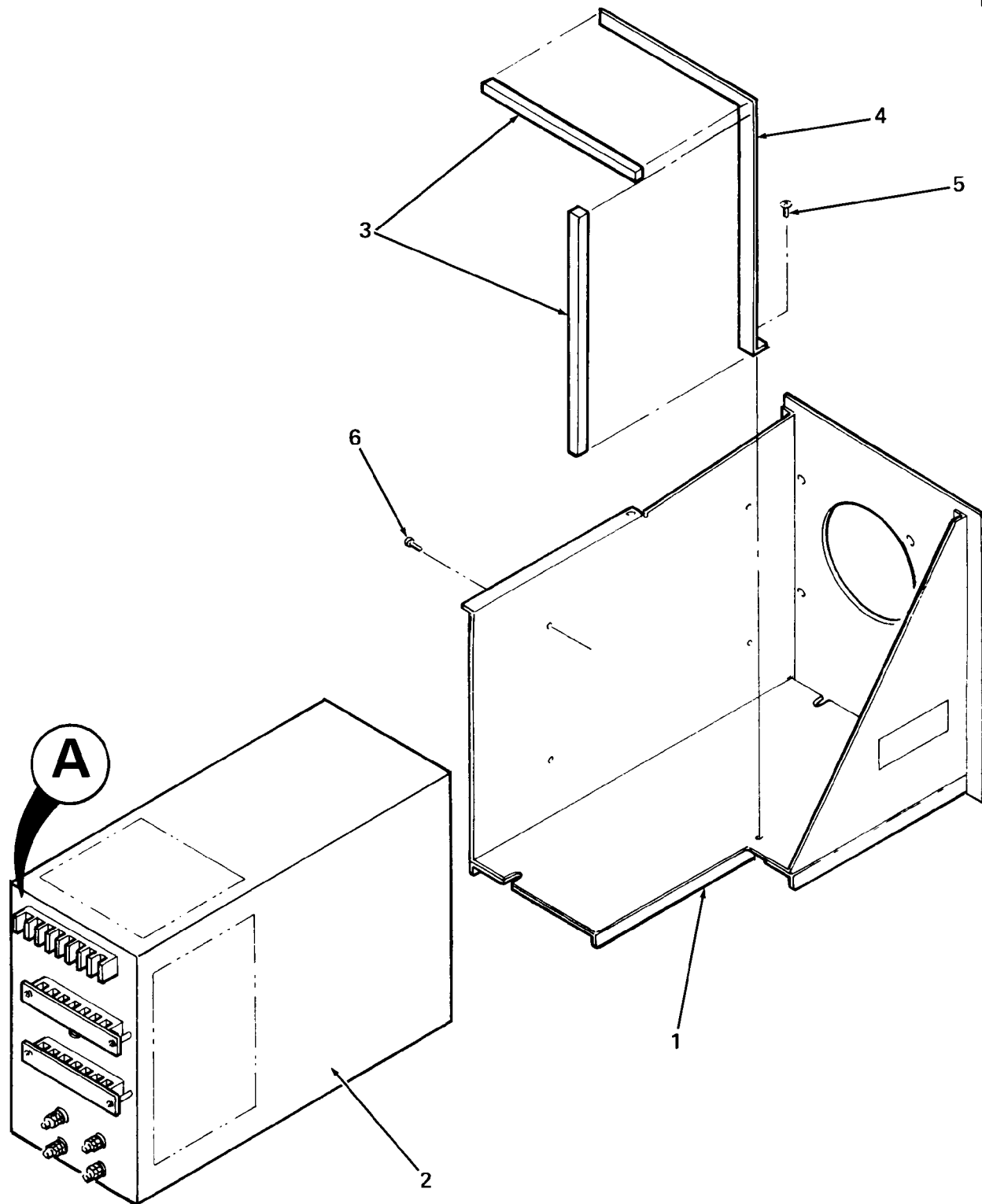
| FIG. & ITEM NO. | DESCRIPTION  | DEC PART NO. <sup>A</sup> | ECO CUT-IN<br>70-23129<br>00000 | USED ON CODE | REF FIG NO. |
|-----------------|--|---------------------------|---------------------------------|--------------|-------------|
| 7-              | FLOPPY DRIVE/BACKET ASSEMBLY                       | 70-23129-01               |                                 |              | 5           |
| 1               | *RX33 FLOPPY DRIVE<br>(See IPB Manual EK-0RX33-IP) | RX33-A                    |                                 |              |             |
| 2               | *Bracket, RH Drive Mounting                        | 74-31918-01               |                                 |              |             |
| 3               | *Bracket, Top Drive Mounting                       | 74-32305-01               |                                 |              |             |
| 4               | *Connector, 2 Position Jumper                      | 12-18783-00               |                                 |              |             |



HSC96-07-IL

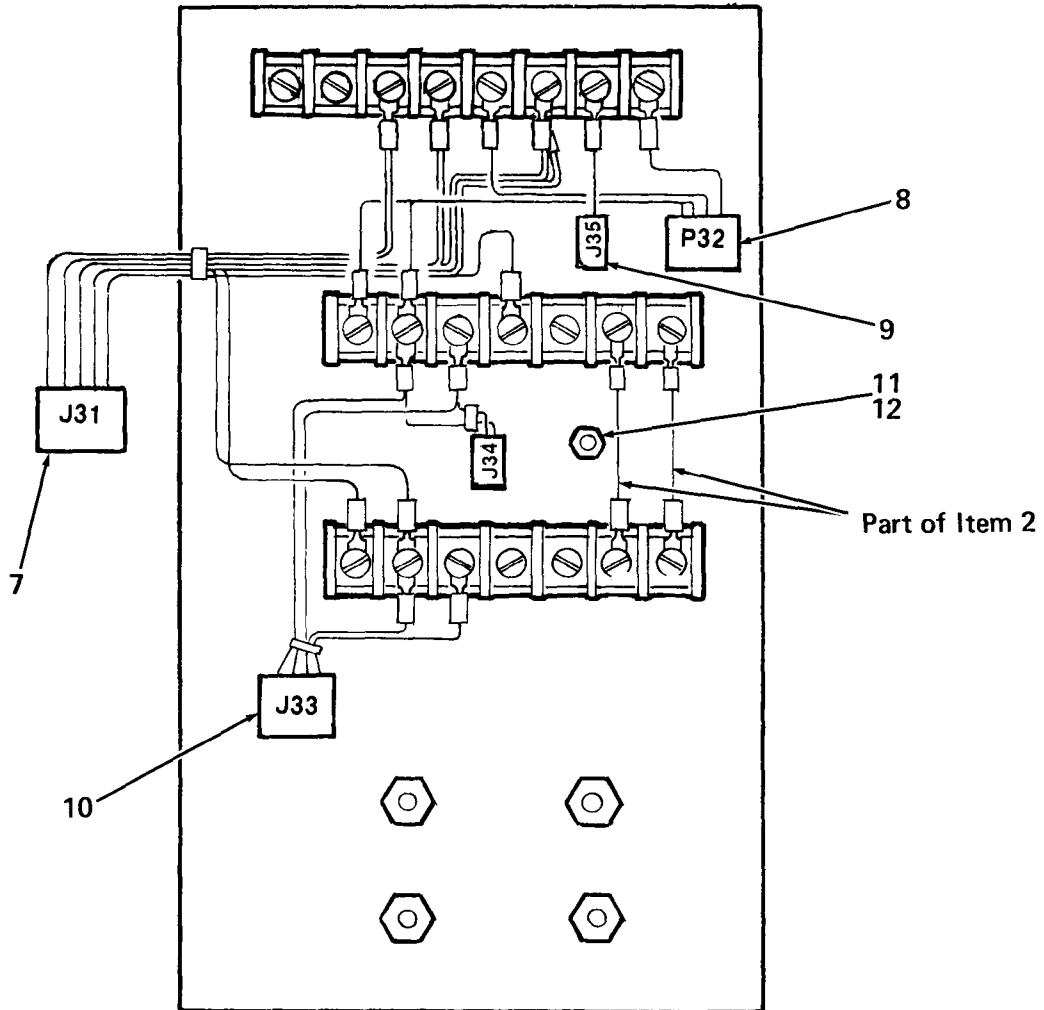
**Figure 7. Floppy Drive/Bracket Assembly**

**THIS PAGE INTENTIONALLY LEFT BLANK**



HSC96-08-SC

Figure 8. Power Supply Assembly, Standard (Sheet 1 of 2)



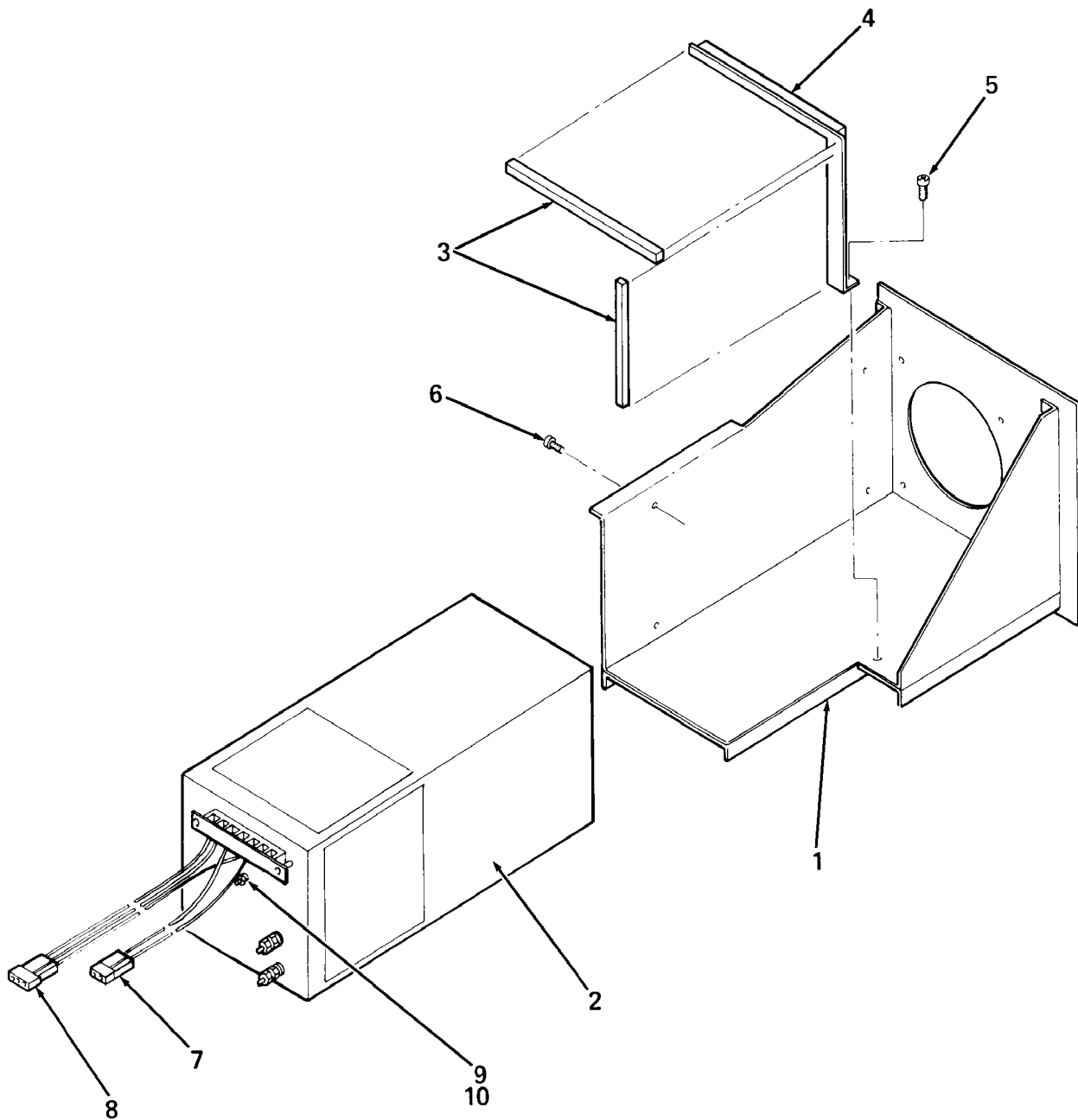
**A**

HSC96-08A-SC

**Figure 8. Power Supply Assembly, Standard (Sheet 2 of 2)**

| FIG.&<br>ITEM<br>NO. | DESCRIPTION  | DEC<br>PART NO. | ECO<br>CUT-IN<br>70-20033<br>00004 | USED<br>ON<br>CODE | REF<br>FIG<br>NO. |
|----------------------|--|-----------------|------------------------------------|--------------------|-------------------|
| 8-                   | POWER SUPPLY ASSEMBLY, STANDARD<br>(120V 60 Hz)              | 70-20033-03     |                                    | A                  | 5                 |
|                      | POWER SUPPLY ASSEMBLY, STANDARD<br>(240V 50 Hz)              | 70-20033-04     |                                    | B                  | 5                 |
| 1                    | *Tray Weldment Assembly, Standard P/S                        | 70-19635-01     |                                    |                    |                   |
| 2                    | *Regulator, Power Supply Switching (120V 60 Hz)              | 30-20199-01     |                                    | A                  |                   |
|                      | *Regulator, Power Supply Switching (240V 50 Hz)              | 30-20199-02     |                                    | B                  |                   |
| 3                    | *Foam, Tape .3/8 x 3/9 Black                                 | 90-08274-02     |                                    |                    |                   |
| 4                    | *Bracket, Sealing Standard                                   | 74-26884-01     |                                    |                    |                   |
| 5                    | *Screw, Sems Phi Pan Hd No. 6-32 x 3/8                       | 90-09984-00     |                                    |                    |                   |
| 6                    | *Screw, Sems Phi Pan Hd No. 8-32 x 5/16                      | 90-09984-06     |                                    |                    |                   |
| 7                    | *Harness Assembly, Standard Power<br>Supply Interconnect     | 70-19680-01     |                                    |                    |                   |
| 8                    | *Cable Assembly, Standard Power<br>Supply Interconnect No. 2 | 70-19681-01     |                                    |                    |                   |
| 9                    | *Cable Assembly, Power Supply Airflow Sensor                 | 70-20203-01     |                                    |                    |                   |
| 10                   | *Cable Assembly, DC On/Off Power Supply                      | 70-20197-01     |                                    |                    |                   |
| 11                   | *Washer, Lock No. 6  | 90-07649-00     |                                    |                    |                   |
| 12                   | *Nut, Kep No. 6-32   | 90-06560-00     |                                    |                    |                   |
|                      | LABEL (Not Shown)  |                 |                                    |                    |                   |
|                      | *Label, "Bar Code"   | 36-21711-15     |                                    |                    |                   |

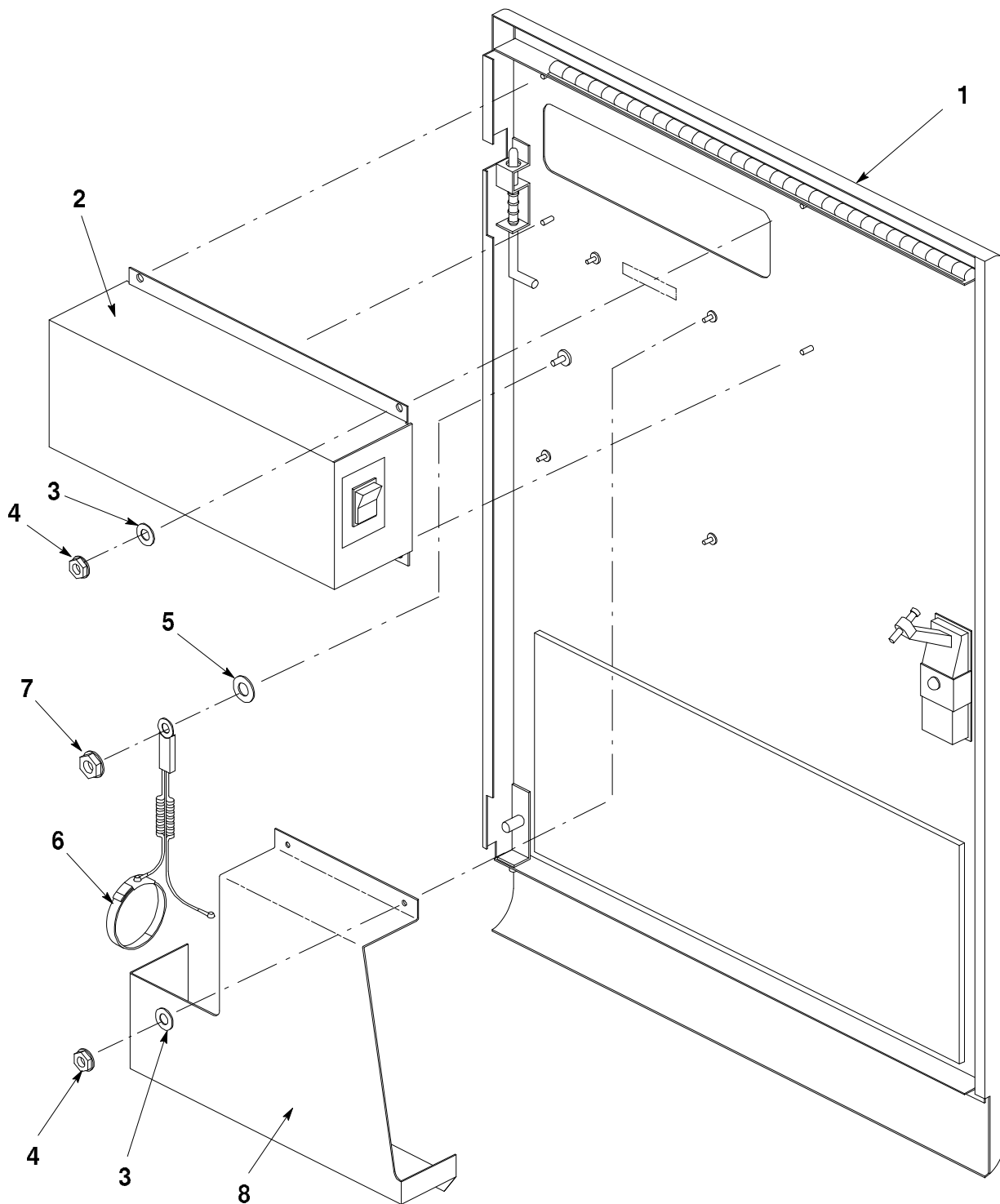
THIS PAGE INTENTIONALLY LEFT BLANK



HSC96-09-SC

**Figure 9. Power Supply Assembly, Auxiliary**

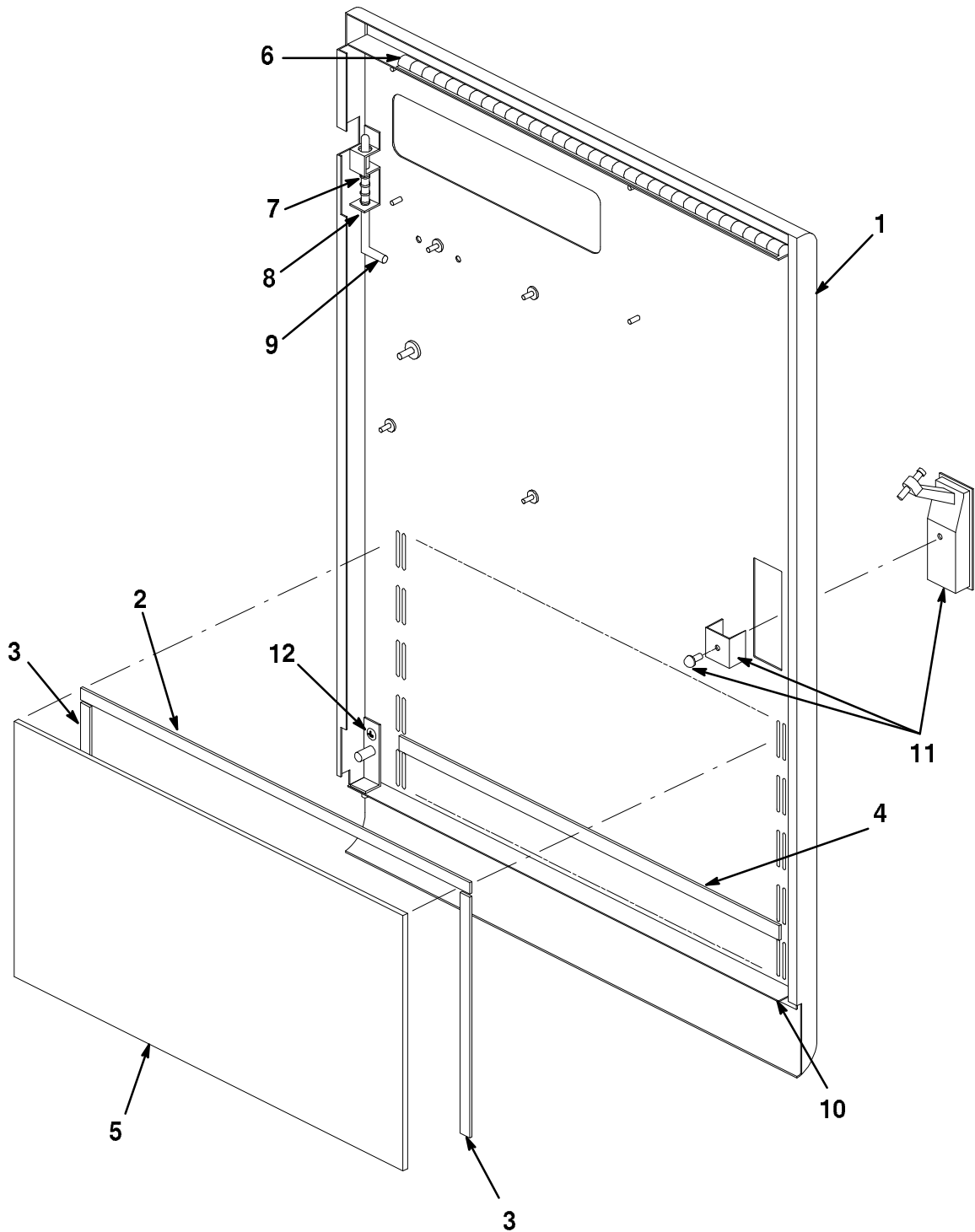
| FIG. & ITEM NO. | DESCRIPTION   | DEC PART NO. | ECO CUT-IN HSC70 00012 | USED ON CODE | REF FIG NO. |
|-----------------|---|--------------|------------------------|--------------|-------------|
| 9-              | POWER SUPPLY ASSEMBLY, AUXILIARY (120V 60 Hz)       | 70-20184-01  |                        | A            | 5           |
|                 | POWER SUPPLY ASSEMBLY, AUXILIARY (240V 50 Hz)       | 70-20184-02  |                        | B            | 5           |
| 1               | *Tray Weldment Assy., Auxiliary Power Supply        | 70-19636-01  |                        |              |             |
| 2               | *Regulator, Power Supply Switching (120V 60 Hz)     | 30-20198-01  |                        | A            |             |
|                 | *Regulator, Power Supply Switching (240V 50 Hz)     | 30-20198-02  |                        | B            |             |
| 3               | *Foam, Tape (Black)                                 | 90-08274-00  |                        |              |             |
| 4               | *Bracket, Optional Sealing                          | 74-26883-01  |                        |              |             |
| 5               | *Screw, Sems Phi Pan Hd No. 6-32 x 3/8              | 90-09984-00  |                        |              |             |
| 6               | *Screw, Sems Phi Pan Hd No. 8-32 x 5/16             | 90-09984-06  |                        |              |             |
| 7               | *Cable Assembly, DC On/Off Aux. P/S No. 1 (deleted) | 70-20198-01  | 00001                  |              |             |
| 8               | *Cable Assembly, Aux. P/S Interconnect              | 70-19683-01  |                        |              |             |
| 9               | *Washer, External Tooth Lock No. 6                  | 90-07649-00  |                        |              |             |
| 10              | *Nut, Kep No. 6-32                                  | 90-06560-00  |                        |              |             |
| 11              | *Nut, Hex Ext. Tooth Lock Washer No. 6-32 (added)   | 70-20198-02  | 00001                  |              |             |
|                 | LABEL (Not Shown)                                   |              |                        |              |             |
|                 | *Label, "Power Supply"                              | 90-09255-01  |                        |              |             |
|                 | *Label, "Bar Code"                                  | 36-21711-15  | 00001                  |              |             |



HSC96-10-IL

Figure 10. Door/OCP Assembly, Front

| FIG. &<br>ITEM<br>NO. | DESCRIPTION                      | DEC<br>PART NO.<br><sup>B</sup> | ECO<br>CUT-IN<br>HSC70<br>00012 | USED<br>ON<br>CODE | REF<br>FIG<br>NO. |
|-----------------------|----------------------------------|---------------------------------|---------------------------------|--------------------|-------------------|
| 10-                   | DOOR/OCP ASSEMBLY, FRONT         | 70-23130-01                     |                                 |                    | 5                 |
| 1                     | *DOOR ASSEMBLY, FRONT            | 70-23131-01                     |                                 |                    | 11                |
| 2                     | *OCP/COVER ASSEMBLY              | 70-23132-01                     |                                 |                    | 12                |
| 3                     | *Washer, Flat                    | 90-06659-00                     |                                 |                    |                   |
| 4                     | *Nut, Kep No. 6-32               | 90-06560-00                     |                                 |                    |                   |
| 5                     | *Washer, Lock                    | 90-06636-00                     |                                 |                    |                   |
| 6                     | *Cable Assembly, ESD Wrist Strap | 12-24023-02                     |                                 |                    |                   |
| 7                     | *Nut, Kep No. 10-32              | 90-06565-00                     |                                 |                    |                   |
| 8                     | *Holder Weldment, Floppy Disk    | 70-23206-01                     |                                 |                    |                   |

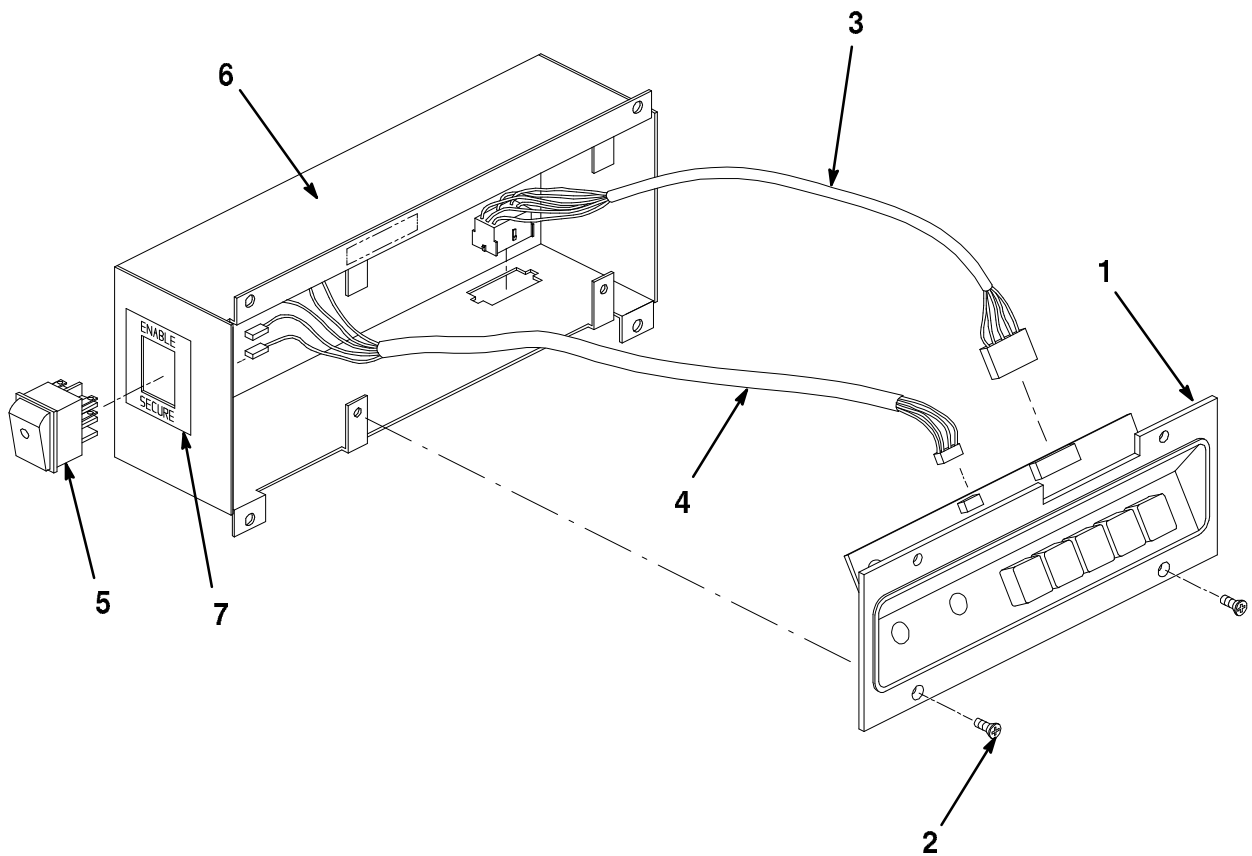


HSC96-11-IL

**Figure 11. Door Assembly, Front**

| FIG. &<br>ITEM<br>NO. | DESCRIPTION                            | DEC<br>PART NO. <sup>B</sup> | ECO<br>CUT-IN<br>HSC70<br>00012 | USED<br>ON<br>CODE | REF<br>FIG<br>NO. |
|-----------------------|--|------------------------------|---------------------------------|--------------------|-------------------|
| 11-                   | DOOR ASSEMBLY, FRONT                   | 70-23131-01                  |                                 |                    | 10                |
| 1                     | *Door Weldment, Front                  | 70-22490-01                  |                                 |                    |                   |
| 2                     | *Tape, Velcro                          | 74-27794-05                  |                                 |                    |                   |
| 3                     | *Tape, Foam                            | 12-12431-10                  |                                 |                    |                   |
| 4                     | *Tape, Foam                            | 12-12431-09                  |                                 |                    |                   |
| 5                     | *Foam, Air Filter                      | 12-13121-22                  |                                 |                    |                   |
| 6                     | *Shield, EMI/RFI (45 Fingers)          | 12-20580-15                  |                                 |                    |                   |
| 7                     | *Spring, Compression                   | 12-16225-01                  |                                 |                    |                   |
| 8                     | *Ring, Retaining                       | 90-09273-02                  |                                 |                    |                   |
| 9                     | *Pin, Door Hinge                       | 74-26147-00                  |                                 |                    |                   |
| 10                    | *Shield, EMI/RFI (48 Fingers)          | 12-20580-16                  |                                 |                    |                   |
| 11                    | *Latch Assembly, Locking Door w/2 Keys | 12-25411-01                  |                                 |                    |                   |
| 12                    | *Label, Ground Symbol (Black)          | 36-12680-00                  |                                 |                    |                   |

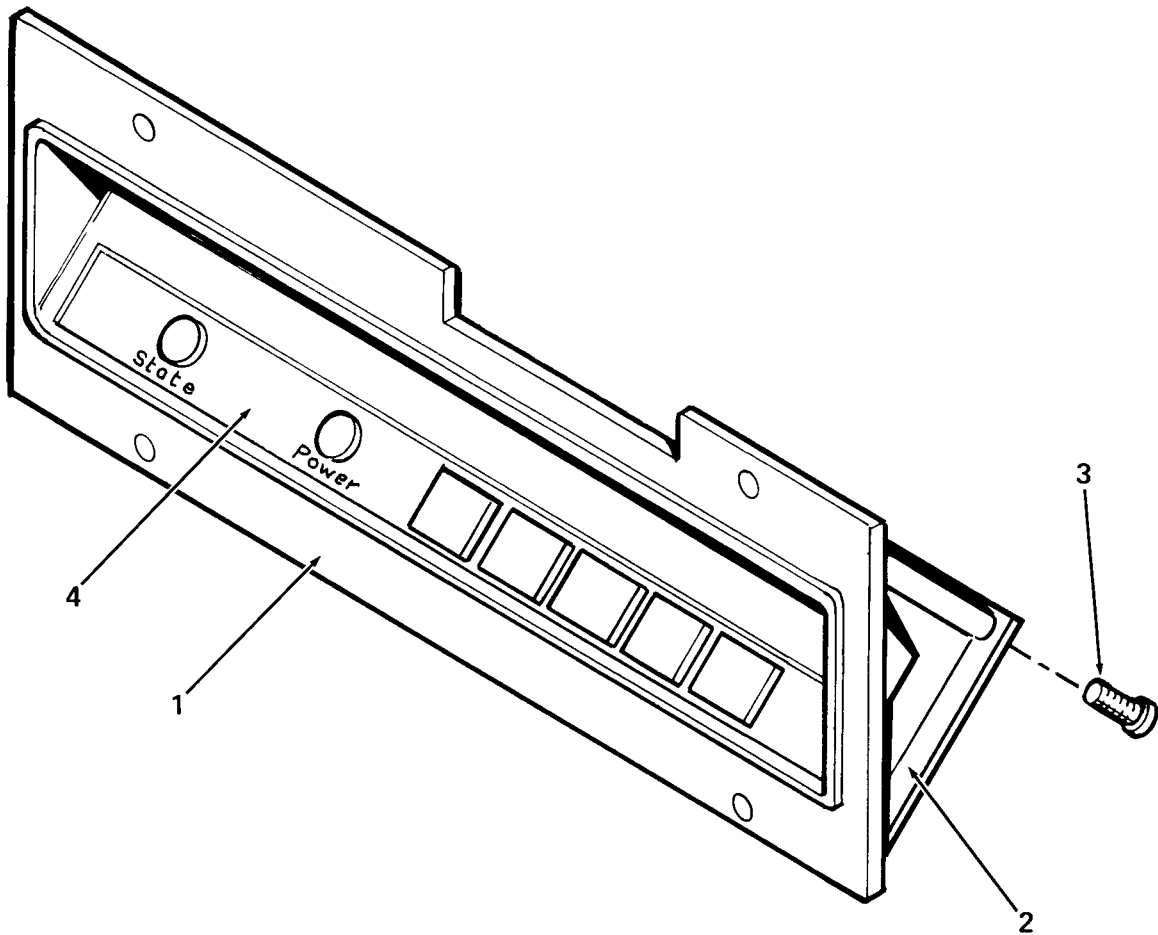
| FIG. & ITEM NO. | DESCRIPTION                               | DEC PART NO. | ECO CUT-IN<br>70-23132<br>00002 | USED ON CODE | REF FIG NO. |
|-----------------|---|--------------|---------------------------------|--------------|-------------|
| 12-             | OCP/COVER ASSEMBLY                        | 70-23132-01  |                                 |              | 10          |
| 1               | *OCP/BEZEL ASSEMBLY                       | 70-23138-01  |                                 |              | 13          |
| 2               | *Screw, Phi Flat Hd No. 6-32 x 1/4        | 90-06021-01  |                                 |              |             |
| 3               | *Harness Assembly, OCP/Rocker Switch Wire | 17-01202-01  |                                 |              |             |
| 4               | *Harness Assembly, OCP Wire               | 17-01203-01  |                                 |              |             |
| 5               | *Switch, Illuminating DPST Rocker         | 12-25547-01  |                                 |              |             |
| 6               | *Box Weldment, Cover                      | 70-23202-01  |                                 |              |             |
| 7               | *Label, "Secure/Enable"                   | 36-25412-01  |                                 |              |             |



HSC96-12-IL

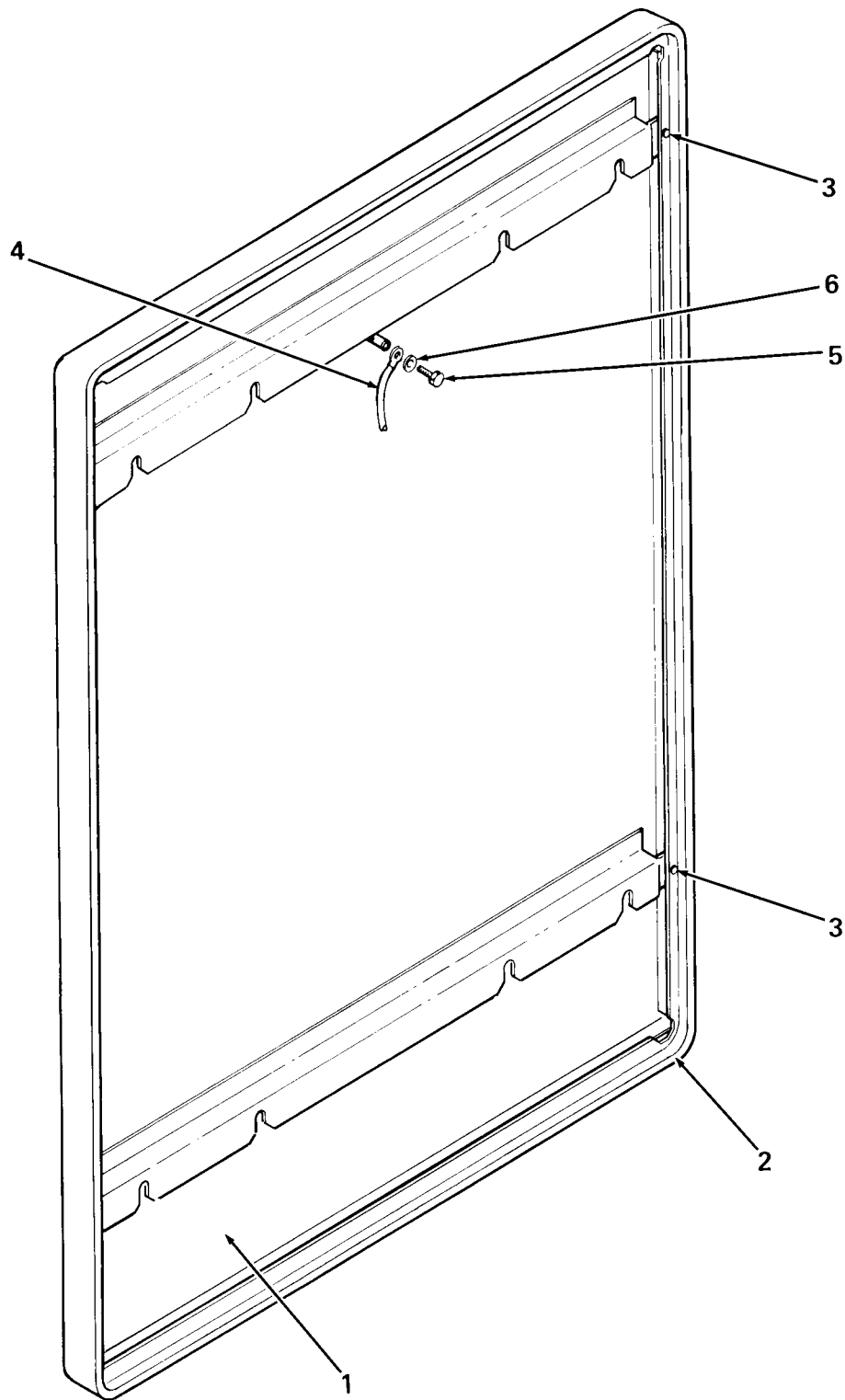
**Figure 12. OCP/Cover Assembly**

| FIG. & ITEM NO. | DESCRIPTION                            | DEC PART NO. <sup>A</sup> | ECO CUT-IN<br>70-23138<br>00000 | USED ON CODE | REF FIG NO. |
|-----------------|--|---------------------------|---------------------------------|--------------|-------------|
| 13-             | OCP/BEZEL ASSEMBLY                     | 70-23138-01               |                                 |              | 12          |
| 1               | *Bezel, OCP                            | 74-32304-01               |                                 |              |             |
| 2               | *Module, Operator Control Panel        | 54-15286-01               |                                 |              |             |
| 3               | *Screw, Sems Phi Pan Hd No. 6-32 x 3/8 | 90-09984-00               |                                 |              |             |
| 4               | *Label, "Door Insert"                  | 36-20763-01               |                                 |              |             |



HSC96-13-SC

**Figure 13. OCP/Bezel Assembly**

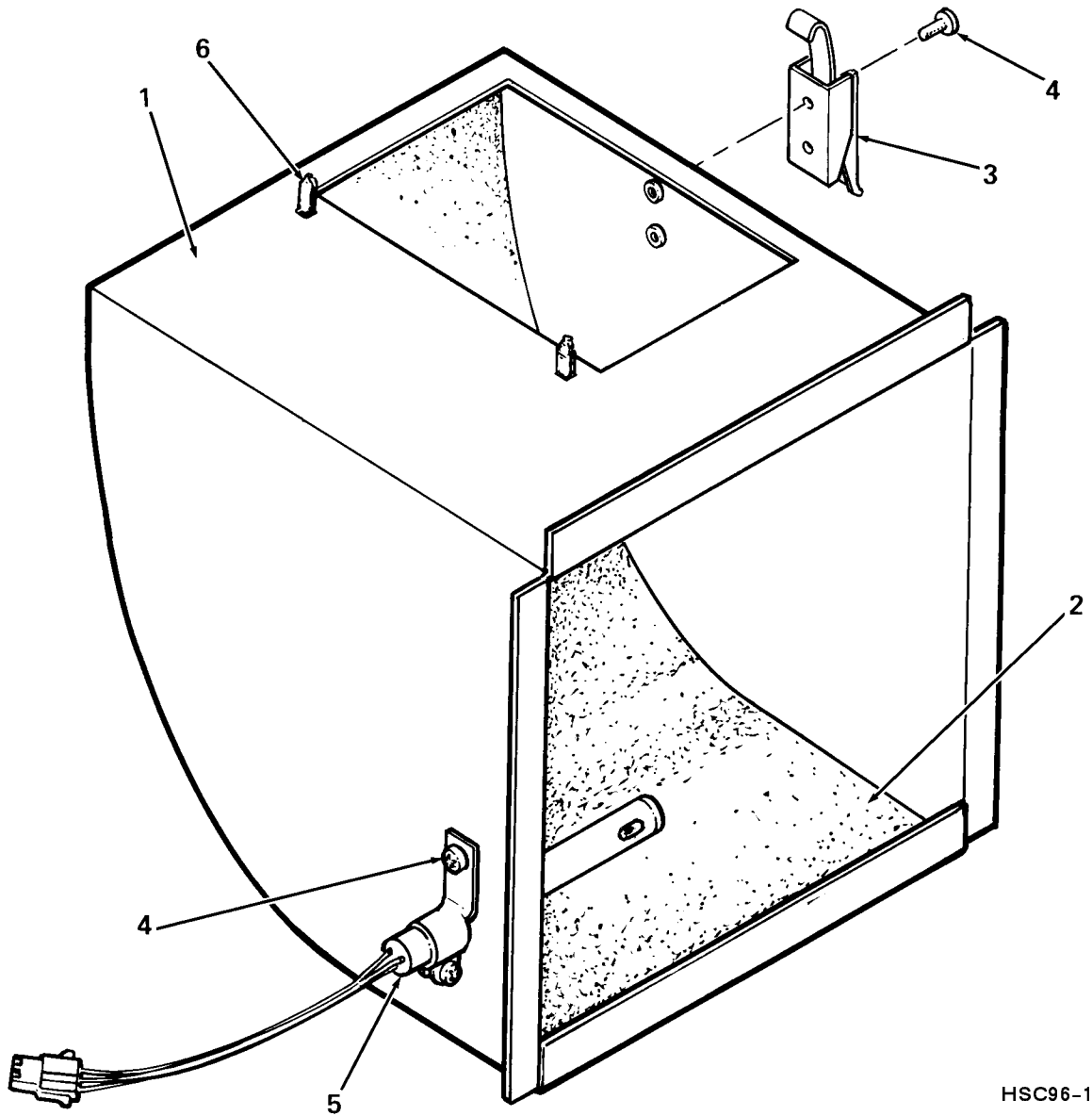


HSC96-14-SC

**Figure 14. Panel Assembly, End**

| FIG. &<br>ITEM<br>NO. | DESCRIPTION                             | DEC<br>PART NO. | ECO<br>CUT-IN<br>70-19083<br>00001 | USED<br>ON<br>CODE | REF<br>FIG<br>NO. |
|-----------------------|---|-----------------|------------------------------------|--------------------|-------------------|
| 14-                   | PANEL ASSEMBLY, END (40 INCH)           | 70-19083-01     |                                    |                    | 3                 |
| 1                     | *Panel Weldment Assembly, End (40 Inch) | 70-19082-01     |                                    |                    |                   |
| 2                     | *Roll Form Weldment Assembly (40 Inch)  | 70-19075-01     |                                    |                    |                   |
| 3                     | *Rivet, Blind                           | 12-19042-00     |                                    |                    |                   |
| 4                     | *Strap, Ground                          | 12-13756-20     |                                    |                    |                   |
| 5                     | *Screw, Sems Plain Slot No. 10-32 x 3/8 | 90-00049-38     |                                    |                    |                   |
| 6                     | *Washer, Flat                           | 90-06664-00     |                                    |                    |                   |
|                       | LABEL, (Not Shown)                      |                 |                                    |                    |                   |
|                       | *Label, "Ground"                        | 36-13272-00     |                                    |                    |                   |

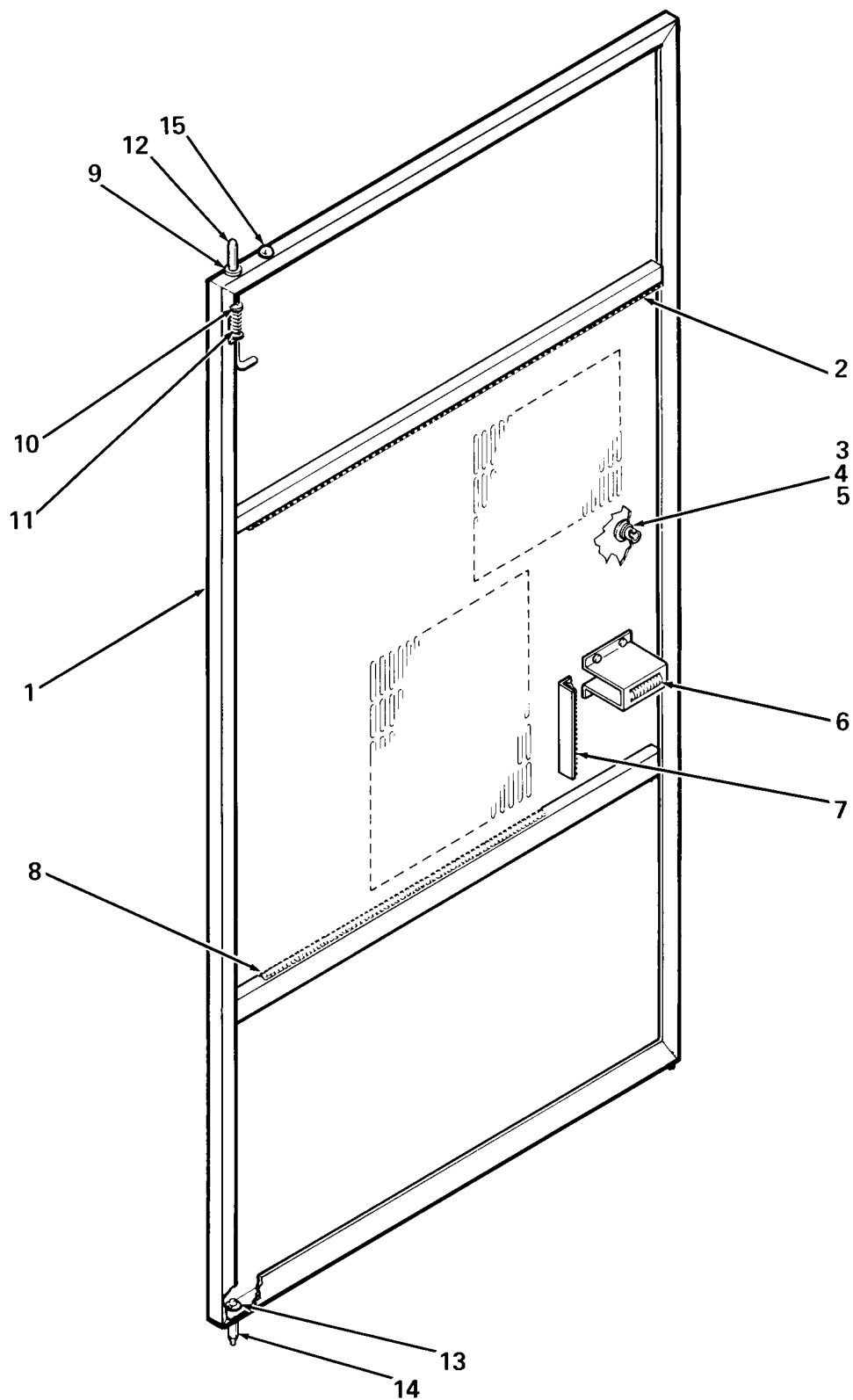
| FIG. & ITEM NO. | DESCRIPTION                            | DEC PART NO. | ECO CUT-IN HSC50 00015 | USED ON CODE | REF FIG NO. |
|-----------------|--|--------------|------------------------|--------------|-------------|
| 15-             | DUCT ASSEMBLY, OUTLET                  | 70-23219-01  |                        |              | 5           |
| 1               | *Duct Weldment Assembly, Outlet        | 70-23220-01  |                        |              |             |
| 2               | *Foam, Acoustic                        | 74-27801-05  |                        |              |             |
| 3               | *Latch, Hook-End Draw                  | 12-19380-01  |                        |              |             |
| 4               | *Screw, Sems Phi Pan Hd No. 6-32 x 3/8 | 90-09984-00  |                        |              |             |
| 5               | *Switch Assembly, Air Flow Sensor      | 12-26092-01  |                        |              |             |
| 6               | *Fastener, 1/4 Turn                    | 12-14390-04  |                        |              |             |



HSC96-15-SC

Figure 15. Duct Assembly, Outlet

**THIS PAGE INTENTIONALLY LEFT BLANK**



HSC96-16-SC

Figure 16. Door Assembly, Rear

| FIG. & ITEM NO. | DESCRIPTION                   | DEC PART NO. <sup>D</sup> | ECO CUT-IN HSC50 00015 | USED ON CODE | REF FIG NO. |
|-----------------|-------------------------------|---------------------------|------------------------|--------------|-------------|
| 16-             | DOOR ASSEMBLY, REAR           | 70-23125-01               |                        |              | 3           |
| 1               | *Door Weldment, Rear          | 70-22489-01               |                        |              |             |
| 2               | *Shield, EMI/RFI (45 Fingers) | 12-20580-15               |                        |              |             |
| 3               | *Grommet, Retainer            | 12-12972-03               |                        |              |             |
| 4               | *Fastener, Allen Head         | 12-12972-06               |                        |              |             |
| 5               | *Ring, Retaining              | 90-08500-00               |                        |              |             |
| 6               | *Shield, Spring               | 74-26725-01               |                        |              |             |
| 7               | *Shield, EMI/RFI (18 Fingers) | 12-20580-21               |                        |              |             |
| 8               | *Shield, EMI/RFI (34 Fingers) | 12-20580-13               |                        |              |             |
| 9               | *Bushing, Snap-In Nylon       | 90-00021-07               |                        |              |             |
| 10              | *Ring, Retaining              | 90-09273-02               |                        |              |             |
| 11              | *Spring, Hinge Compression    | 12-16225-01               |                        |              |             |
| 12              | *Pin, Door Hinge              | 74-26147-00               |                        |              |             |
| 13              | *Ring, Retaining              | 90-09644-01               |                        |              |             |
| 14              | *Pin, Door                    | 74-26709-01               |                        |              |             |
| 15              | *Plug, Snap-In Hole           | 90-10648-02               |                        |              |             |

Ω

**PART NUMBER/DESCRIPTION INDEX** 

**INDEX BY DEC PART NUMBER**  
**HSC90/60 STORAGE CONTROLLERS**

| PART NO.    | DESCRIPTION                                    | FIG<br>NO. | ITEM<br>NO. |
|-------------|--|------------|-------------|
| 12-12431-09 | Tape, Foam                                     | 11         | 4           |
| 12-12431-10 | Tape, Foam                                     | 11         | 3           |
| 12-12972-02 | Spring, Receptacle Fastener 1/4 Turn           | 3          | 21          |
| 12-12972-03 | Grommet, Retainer                              | 16         | 3           |
| 12-12972-06 | Fastener, Allen Head                           | 16         | 4           |
| 12-13121-22 | Foam, Air Filter                               | 11         | 5           |
| 12-13756-12 | Strap, Ground                                  | 5          | 14          |
| 12-13756-20 | Strap, Ground                                  | 14         | 4           |
| 12-13756-28 | Strap, Ground                                  | 5          | 61          |
| 12-14390-04 | Fastener, 1/4 Turn                             | 15         | 6           |
| 12-15243-00 | Screw, Assembly, Hex WW Female No. 4-40 x 5/16 | 5          | 51          |
| 12-16007-06 | Shield, EMI/RFI, 68 Contacts, Adhesive         | 4          | 7           |
| 12-16007-06 | Shield, EMI/RFI, 68 Contacts                   | 5          | 59          |
| 12-16225-01 | Spring, Compression                            | 11         | 7           |
| 12-16225-01 | Spring, Hinge Compression                      | 16         | 11          |
| 12-17010-05 | Guide, Nylon Card (Brown-Red)                  | 5          | 29          |
| 12-17010-06 | Guide, Nylon Card (Brown-Red)                  | 5          | 30          |
| 12-18783-00 | Connector, 2 Position Jumper                   | 7          | 4           |
| 12-18828-00 | Blower, Centrifugal, 200 CFM 120V AC           | 5          | 56          |
| 12-19042-00 | Rivet, Blind                                   | 14         | 3           |
| 12-19380-01 | Latch, Hook-End Draw                           | 15         | 3           |
| 12-19713-01 | Standoff, Male/Female No. 6-32                 | 3          | 13          |
| 12-20580-08 | Shield, EMI/RFI, 8 Contacts                    | 5          | 9           |
| 12-20580-13 | Shield, EMI/RFI, 34 Contacts, Adhesive         | 4          | 9           |
| 12-20580-13 | Shield, EMI/RFI (34 Fingers)                   | 16         | 8           |
| 12-20580-14 | Shield, EMI/RFI, 43 Contacts, Adhesive         | 4          | 10          |
| 12-20580-15 | Shield, EMI/RFI (45 Fingers)                   | 16         | 2           |
| 12-20580-15 | Shield, EMI/RFI (45 Fingers)                   | 11         | 6           |
| 12-20580-15 | Shield, EMI/RFI, 45 Contacts                   | 5          | 60          |
| 12-20580-16 | Shield, EMI/RFI (48 Fingers)                   | 11         | 10          |
| 12-20580-17 | Shield, EMI/RFI, 57 Contacts                   | 5          | 10          |
| 12-20580-19 | Shield, EMI/RFI, 68 Contacts, Adhesive         | 4          | 8           |
| 12-20580-21 | Shield, EMI/RFI (18 Fingers)                   | 16         | 7           |
| 12-20996-01 | Relay, 12V Coil 100 mA                         | 5          | 43          |
| 12-21368-01 | Screw, Sems Phl Pan Hd No. 6-32 x 1-1/8        | 5          | 37          |
| 12-21368-02 | Screw, Sems Phl Pan Hd No. 10-32 x 5/8         | 5          | 12          |
| 12-21368-02 | Screw, Sems Phl Pan Hd No. 10-32 x 5/8         | 4          | 3           |
| 12-21368-03 | Screw, Sems Phl Pan Hd No. 10-32 x 11/32       | 4          | 4           |
| 12-21368-03 | Screw, Sems Phl Pan Hd No. 10-32 x 11/32       | 3          | 20          |
| 12-21368-03 | Screw, Sems Phl Pan Hd No. 10-32 x 3/4         | 5          | 35          |
| 12-21368-04 | Screw, Sems Phl Pan Hd No. 10-32 x 9/32        | 6          | 3           |
| 12-21368-04 | Screw, Sems Phl Pan Hd No. 10-32 x 5/8         | 6          | 6           |
| 12-21394-04 | Cover, Wiring Duct                             | 5          | 23          |
| 12-21394-04 | Duct, Wiring                                   | 5          | 21          |
| 12-22950-02 | Clip, Snap-In Flat Cable                       | 5          | 66          |
| 12-22992-01 | Holder, Cable Tie                              | 5          | 65          |
| 12-24023-02 | Cable Assembly, ESD Wrist Strap                | 10         | 6           |
| 12-25411-01 | Latch Assembly, Locking Door w/2 Keys          | 11         | 11          |
| 12-25435-01 | Switch, Rocker, Mini, On-Off (.5V 28V)         | 5          | 28          |
| 12-25547-01 | Switch, Illuminating DPST Rocker               | 12         | 5           |
| 12-26092-01 | Switch Assembly, Air Flow Sensor               | 15         | 5           |
| 17-00717-01 | Cable Assembly, CI Connector                   | 5          | 55          |
| 17-00958-01 | Cable Assembly, Shielded Coax                  | 5          | 49          |
| 17-00958-01 | Cable Assembly, Shielded Coax                  | 5          | 46          |

**INDEX BY DEC PART NUMBER**  
**HSC90/60 STORAGE CONTROLLERS**

| PART NO.    | DESCRIPTION   | FIG<br>NO. | ITEM<br>NO. |
|-------------|---|------------|-------------|
| 17-01167-01 | Cable Assembly, Floppy Signal                               | 5          | 68          |
| 17-01202-01 | Harness Assembly, OCP/Rocker Switch Wire                    | 12         | 3           |
| 17-01203-01 | Harness Assembly, OCP Wire                                  | 12         | 4           |
| 17-01215-01 | Cable Assembly, OCP/Backplane                               | 5          | 67          |
| 17-01231-01 | Cable Assembly, Relay to Power Controller<br>Airflow Sensor | 5          | 7           |
| 17-01231-02 | Cable Assembly, DC On/Off Switch                            | 5          | 69          |
| 17-01265-01 | Circuit, Flex-Bus Power                                     | 5          | 38          |
| 17-01266-01 | Harness Assembly, Backplane to Power Supply<br>Interconnect | 5          | 41          |
| 17-01267-01 | Harness Assembly, Wire                                      | 5          | 52          |
| 17-01275-01 | Cable Assembly, Airflow Sensor                              | 5          | 6           |
| 17-01276-02 | Cable Assembly, Blower AC Line                              | 5          | 57          |
| 17-01276-03 | Cable Assembly, Blower AC Line                              | 5          | 57          |
| 30-20198-01 | Regulator, Power Supply Switching (120V 60 Hz)              | 9          | 2           |
| 30-20198-02 | Regulator, Power Supply Switching (240V 50 Hz)              | 9          | 2           |
| 30-20199-01 | Regulator, Power Supply Switching (120V 60 Hz)              | 8          | 2           |
| 30-20199-02 | Regulator, Power Supply Switching (240V 50 Hz)              | 8          | 2           |
| 30-24374-01 | Controller Assembly, Power (120V 3-Phase 9 Outlet)          | 5          | 44          |
| 30-24374-02 | Controller Assembly, Power (240V 3-Phase 9 Outlet)          | 5          | 44          |
| 36-12680-00 | Label, Ground Symbol (Black)                                | 11         | 12          |
| 36-13272-00 | Label, "Ground"   | 14         | Not Shown   |
| 36-17674-01 | Labels, "Serial/Power w/UL & CSA Logos"                     | 5          | Not Shown   |
| 36-17674-38 | Label, "Serial/Power Universal, Made in USA"                | 1          | Not Shown   |
| 36-17674-38 | Label, "Serial/Power Universal, Made in USA"                | 2          | Not Shown   |
| 36-17880-03 | Label, "FCC, Class A Peripheral"                            | 5          | Not Shown   |
| 36-17880-03 | Label, "FCC Class A"  | 2          | Not Shown   |
| 36-17880-03 | Label, FCC Class A  | 1          | Not Shown   |
| 36-20763-01 | Label, "Door Insert"  | 13         | 4           |
| 36-21683-01 | Label, "Warning, Air Inlet"                                 | 4          | 11          |
| 36-21684-02 | Label, "Card Cage Module"                                   | 5          | Not Shown   |
| 36-21684-04 | Label, "Card Cage Module HSC60"                             | 2          | Not Shown   |
| 36-21684-05 | Label, Card Cage Module HSC60                               | 1          | Not Shown   |
| 36-21686-02 | Label, "Rear Door I/O, HSC70"                               | 4          | 12          |
| 36-21711-13 | Label, "Bar Code 1.8 Inch x 0.75 Inch"                      | 2          | Not Shown   |
| 36-21711-13 | Label, Bar Code 1.80 Inch x 0.75 Inch                       | 1          | Not Shown   |
| 36-21711-15 | Label, "Cable Bar Code 2.2 Inch x 0.9 Inch"                 | 2          | Not Shown   |
| 36-21711-15 | Label, Cable Bar Code 2.2 Inch x 0.9 Inch                   | 1          | Not Shown   |
| 36-21711-15 | Label, "Bar Code"   | 9          | Not Shown   |
| 36-21711-15 | Label, "Bar Code"   | 8          | Not Shown   |
| 36-21758-02 | Label, "Card Cage"  | 5          | Not Shown   |
| 36-25412-01 | Label, "Secure/Enable"                                      | 12         | 7           |
| 36-25418-01 | Label, "DC Power"   | 5          | Not Shown   |
| 54-15286-01 | Module, Operator Control Panel                              | 13         | 2           |
| 70-08288-8F | Cable Assembly, PDP-11                                      | 2          | Not Shown   |
| 70-08288-8F | Cable Assembly, PDP-11                                      | 1          | Not Shown   |
| 70-19075-01 | Roll Form Weldment Assembly (40 Inch)                       | 14         | 2           |
| 70-19082-01 | Panel Weldment Assembly, End (40 Inch)                      | 14         | 1           |
| 70-19083-01 | PANEL ASSEMBLY, END (40 INCH)                               | 3          | 4           |
| 70-19083-01 | PANEL ASSEMBLY, END (40 INCH)                               | 14         | N/A         |
| 70-19088-01 | STOP ASSEMBLY, DOOR   | 3          | 12          |
| 70-19251-01 | Inlet Weldment Assembly, Blower                             | 5          | 34          |
| 70-19635-01 | Tray Weldment Assembly, Standard P/S                        | 8          | 1           |

**INDEX BY DEC PART NUMBER**  
**HSC90/60 STORAGE CONTROLLERS**

| PART NO.    | DESCRIPTION   | FIG<br>NO. | ITEM<br>NO. |
|-------------|---|------------|-------------|
| 70-19636-01 | Tray Weldment Assy., Auxiliary Power Supply                 | 9          | 1           |
| 70-19674-01 | Bracket Weldment, Rear Vent Support                         | 3          | 11          |
| 70-19675-01 | Cover Weldment, Top   | 3          | 3           |
| 70-19680-01 | Harness Assembly, Standard Power Supply<br>Interconnect     | 8          | 7           |
| 70-19681-01 | Cable Assembly, Standard Power Supply<br>Interconnect No. 2 | 8          | 8           |
| 70-19683-01 | Cable Assembly, Aux. P/S Interconnect                       | 9          | 8           |
| 70-20031-01 | FRAME ASSEMBLY  | 6          | N/A         |
| 70-20031-01 | FRAME ASSEMBLY  | 5          | 1           |
| 70-20033-03 | POWER SUPPLY ASSEMBLY, STANDARD (120V 60 Hz)                | 5          | 26          |
| 70-20033-03 | POWER SUPPLY ASSEMBLY, STANDARD (120V 60 Hz)                | 8          | N/A         |
| 70-20033-04 | POWER SUPPLY ASSEMBLY, STANDARD (240V 50 Hz)                | 5          | 26          |
| 70-20033-04 | POWER SUPPLY ASSEMBLY, STANDARD (240V 50 Hz)                | 8          | N/A         |
| 70-20184-01 | POWER SUPPLY ASSEMBLY, AUXILIARY (120V 60 Hz)               | 5          | 27          |
| 70-20184-01 | POWER SUPPLY ASSEMBLY, AUXILIARY (120V 60 Hz)               | 9          | N/A         |
| 70-20184-02 | POWER SUPPLY ASSEMBLY, AUXILIARY (240V 50 Hz)               | 5          | 27          |
| 70-20184-02 | POWER SUPPLY ASSEMBLY, AUXILIARY (240V 50 Hz)               | 9          | N/A         |
| 70-20193-01 | Frame Assembly  | 6          | 1           |
| 70-20197-01 | Cable Assembly, DC On/Off Power Supply                      | 8          | 10          |
| 70-20198-01 | Cable Assembly, DC On/Off Aux. P/S No. 1 (deleted)          | 9          | 7           |
| 70-20198-02 | Nut, Hex Ext. Tooth Lock Washer No. 6-32 (added)            | 9          | 11          |
| 70-20199-01 | Cable Assembly No. 2, DC On/Off Auxiliary<br>Power Supply   | 5          | 8           |
| 70-20203-01 | Cable Assembly, Power Supply Airflow Sensor                 | 8          | 9           |
| 70-22480-01 | Stop, Front Door  | 5          | 15          |
| 70-22488-01 | Frame Weldment Assembly, Extender                           | 5          | 32          |
| 70-22489-01 | Door Weldment, Rear   | 16         | 1           |
| 70-22490-01 | Door Weldment, Front  | 11         | 1           |
| 70-23125-01 | DOOR ASSEMBLY, REAR   | 3          | 2           |
| 70-23125-01 | DOOR ASSEMBLY, REAR   | 16         | N/A         |
| 70-23126-05 | CABINET/SHIELD ASSEMBLY (120V 60 Hz)                        | 3          | 1           |
| 70-23126-05 | CABINET/SHIELD ASSEMBLY (120V 60 Hz)                        | 4          | N/A         |
| 70-23126-06 | CABINET/SHIELD ASSEMBLY (240V 50 Hz)                        | 4          | N/A         |
| 70-23126-06 | CABINET/SHIELD ASSEMBLY (240V 50 Hz)                        | 3          | 1           |
| 70-23126-07 | CABINET/SHIELD ASSEMBLY (120V 60 Hz)                        | 3          | 1           |
| 70-23126-07 | CABINET/SHIELD ASSEMBLY (120V 60 Hz)                        | 4          | N/A         |
| 70-23126-08 | CABINET/SHIELD ASSEMBLY (240V 50 Hz)                        | 3          | 1           |
| 70-23126-08 | CABINET/SHIELD ASSEMBLY (240V 50 Hz)                        | 4          | N/A         |
| 70-23126-15 | CABINET/SHIELD ASSEMBLY (120V 60 Hz)                        | 4          | N/A         |
| 70-23126-15 | CABINET/SHIELD ASSEMBLY (120V 60 Hz)                        | 3          | 1           |
| 70-23126-16 | CABINET/SHIELD ASSEMBLY (240V 50 Hz)                        | 4          | N/A         |
| 70-23126-16 | CABINET/SHIELD ASSEMBLY (240V 50 Hz)                        | 3          | 1           |
| 70-23126-17 | CABINET/SHIELD ASSEMBLY (120V 60 Hz)                        | 4          | N/A         |
| 70-23126-17 | CABINET/SHIELD ASSEMBLY (120V 60 Hz)                        | 3          | 1           |
| 70-23126-18 | CABINET/SHIELD ASSEMBLY (240V 50 Hz)                        | 4          | N/A         |
| 70-23126-18 | CABINET/SHIELD ASSEMBLY (240V 50 Hz)                        | 3          | 1           |
| 70-23127-01 | CABINET/MODULE ASSEMBLY (120V 60 Hz)                        | 4          | 1           |
| 70-23127-02 | CABINET/MODULE ASSEMBLY (240V 50 Hz)                        | 4          | 1           |
| 70-23127-03 | CABINET/MODULE ASSEMBLY 1 P.S. (60 Hz)                      | 4          | 1           |
| 70-23127-04 | CABINET/MODULE ASSEMBLY 1 P.S. (50 Hz)                      | 4          | 1           |
| 70-23128-01 | CABINET ASSEMBLY (120V 60 Hz)                               | 5          | N/A         |
| 70-23128-01 | CABINET ASSEMBLY (120V 60 Hz)                               | 4          | 2           |

**INDEX BY DEC PART NUMBER**  
**HSC90/60 STORAGE CONTROLLERS**

| PART NO.    | DESCRIPTION                    | FIG<br>NO. | ITEM<br>NO. |
|-------------|--------------------------------|------------|-------------|
| 70-23128-02 | CABINET ASSEMBLY (240V 50 Hz)  | 5          | N/A         |
| 70-23128-02 | CABINET ASSEMBLY (240V 50 Hz)  | 4          | 2           |
| 70-23128-03 | CABINET ASSEMBLY (120V 60 Hz)  | 5          | N/A         |
| 70-23128-04 | CABINET ASSEMBLY (240V 50 Hz)  | 5          | N/A         |
| 70-23129-01 | FLOPPY DRIVE/BRACKET ASSEMBLY  | 7          | N/A         |
| 70-23129-01 | FLOPPY DRIVE/BRACKET ASSEMBLY  | 5          | 5           |
| 70-23130-01 | DOOR/OCP ASSEMBLY, FRONT       | 10         | N/A         |
| 70-23130-01 | DOOR/OCP ASSEMBLY, FRONT       | 5          | 24          |
| 70-23131-01 | DOOR ASSEMBLY, FRONT           | 10         | 1           |
| 70-23131-01 | DOOR ASSEMBLY, FRONT           | 11         | N/A         |
| 70-23132-01 | OCP/COVER ASSEMBLY             | 10         | 2           |
| 70-23132-01 | OCP/COVER ASSEMBLY             | 12         | N/A         |
| 70-23134-01 | I/O BULKHEAD ASSEMBLY, TOP     | 5          | 48          |
| 70-23135-01 | I/O BULKHEAD ASSEMBLY, BOTTOM  | 5          | 45          |
| 70-23136-01 | Backplane Prep Assembly        | 5          | 36          |
| 70-23137-01 | Chassis Assembly, Riveted      | 5          | 2           |
| 70-23138-01 | OCP/BEZEL ASSEMBLY             | 12         | 1           |
| 70-23138-01 | OCP/BEZEL ASSEMBLY             | 13         | N/A         |
| 70-23139-05 | MECHANICAL ASSEMBLY, HSC TOP   | 3          | N/A         |
| 70-23139-05 | MECHANICAL ASSEMBLY, HSC TOP   | 1          | 1           |
| 70-23139-06 | MECHANICAL ASSEMBLY, HSC TOP   | 3          | N/A         |
| 70-23139-06 | MECHANICAL ASSEMBLY, HSC TOP   | 1          | 1           |
| 70-23139-07 | MECHANICAL ASSEMBLY, HSC TOP   | 2          | 1           |
| 70-23139-07 | MECHANICAL ASSEMBLY, HSC TOP   | 3          | N/A         |
| 70-23139-08 | MECHANICAL ASSEMBLY, HSC TOP   | 2          | 1           |
| 70-23139-08 | MECHANICAL ASSEMBLY, HSC TOP   | 3          | N/A         |
| 70-23139-15 | MECHANICAL ASSEMBLY, HSC TOP   | 3          | N/A         |
| 70-23139-15 | MECHANICAL ASSEMBLY, HSC TOP   | 1          | 1           |
| 70-23139-16 | MECHANICAL ASSEMBLY, HSC TOP   | 1          | 1           |
| 70-23139-16 | MECHANICAL ASSEMBLY, HSC TOP   | 3          | N/A         |
| 70-23139-17 | MECHANICAL ASSEMBLY, HSC TOP   | 3          | N/A         |
| 70-23139-17 | MECHANICAL ASSEMBLY, HSC TOP   | 2          | 1           |
| 70-23139-18 | MECHANICAL ASSEMBLY, HSC TOP   | 2          | 1           |
| 70-23139-18 | MECHANICAL ASSEMBLY, HSC TOP   | 3          | N/A         |
| 70-23140-01 | CABLE ASSEMBLY, REAR SHIELD/CI | 5          | 53          |
| 70-23202-01 | Box Weldment, Cover            | 12         | 6           |
| 70-23206-01 | Holder Weldment, Floppy Disk   | 10         | 8           |
| 70-23219-01 | DUCT ASSEMBLY, OUTLET          | 5          | 58          |
| 70-23219-01 | DUCT ASSEMBLY, OUTLET          | 15         | N/A         |
| 70-23220-01 | Duct Weldment Assembly, Outlet | 15         | 1           |
| 70-23906-01 | Bezel Assembly (10-1/2 Inch)   | 3          | 8           |
| 74-26147-00 | Pin, Door Hinge                | 11         | 9           |
| 74-26147-00 | Pin, Door Hinge                | 16         | 12          |
| 74-26567-01 | Plate, Blank Front             | 5          | 70          |
| 74-26709-01 | Pin, Door                      | 16         | 14          |
| 74-26725-01 | Shield, Spring                 | 5          | 42          |
| 74-26725-01 | Shield, Spring                 | 16         | 6           |
| 74-26883-01 | Bracket, Optional Sealing      | 9          | 4           |
| 74-26884-01 | Bracket, Sealing Standard      | 8          | 4           |
| 74-26885-01 | Baffle, Front                  | 5          | 40          |
| 74-26888-01 | Plate, Card Cage Cover         | 5          | 31          |
| 74-26906-01 | Shield, Front (RH)             | 5          | 3           |
| 74-27098-01 | Shield, Side                   | 4          | 6           |
| 74-27099-01 | Bar, Nut                       | 6          | 2           |

**INDEX BY DEC PART NUMBER**  
**HSC90/60 STORAGE CONTROLLERS**

| PART NO.    | DESCRIPTION                                   | FIG<br>NO. | ITEM<br>NO. |
|-------------|---|------------|-------------|
| 74-27100-01 | Shield, Top Cover                             | 4          | 5           |
| 74-27182-01 | Bracket, Rear Lock                            | 3          | 22          |
| 74-27514-01 | Bracket, End Panel Lock (RH)                  | 5          | 16          |
| 74-27514-02 | Bracket, End Panel Lock (LH)                  | 5          | 19          |
| 74-27794-05 | Tape, Velcro                                  | 11         | 2           |
| 74-27801-05 | Foam, Acoustic                                | 15         | 2           |
| 74-28263-01 | Blank, Module                                 | 4          | Not Shown   |
| 74-28263-01 | Module, Blank                                 | 1          | Not Shown   |
| 74-28263-01 | Module, Blank                                 | 2          | Not Shown   |
| 74-28326-01 | Bar, Front Nut                                | 6          | 4           |
| 74-28327-01 | Bar, Rear Nut                                 | 6          | 5           |
| 74-31827-01 | Bulkhead, I/O Bottom                          | 5          | 47          |
| 74-31828-01 | Bulkhead, I/O Top                             | 5          | 50          |
| 74-31829-01 | Plate, Floppy Drive Cover                     | 5          | 25          |
| 74-31914-01 | Shield, Rear Bottom                           | 5          | 54          |
| 74-31915-01 | Bracket, Front Door Lock                      | 5          | 17          |
| 74-31916-01 | Bracket, Shield Front, Lower                  | 5          | 18          |
| 74-31917-01 | Bracket, Front Door Pivot                     | 5          | 11          |
| 74-31918-01 | Bracket, RH Drive Mounting                    | 7          | 2           |
| 74-31953-01 | Shield, Front (LH)                            | 5          | 4           |
| 74-32304-01 | Bezel, OCP                                    | 13         | 1           |
| 74-32305-01 | Bracket, Top Drive Mounting                   | 7          | 3           |
| 74-32314-01 | Cover, Jumper Bar                             | 5          | 39          |
| 74-33488-01 | Clamp, SI Cable                               | 3          | 19          |
| 74-33501-01 | Gasket, Rear Door                             | 3          | 16          |
| 74-33501-02 | Gasket, Rear Door (Bottom)                    | 3          | 17          |
| 74-38607-04 | Medallion, "HSC60"                            | 2          | 2           |
| 74-38607-07 | Medallion, "HSC90"                            | 1          | 2           |
| 90-00021-07 | Bushing, Snap-In Nylon                        | 16         | 9           |
| 90-00049-38 | Screw, Sems Plain Slot No. 10-32 x 3/8        | 14         | 5           |
| 90-00049-73 | Screw, Sems Hex Slot Hd No. 10-16 x 1/2       | 3          | 7           |
| 90-00063-39 | Screw, Self-Tap Truss Hd No. 10-32 x 1/2      | 3          | 10          |
| 90-06021-01 | Screw, Phi Flat Hd No. 6-32 x 1/4             | 12         | 2           |
| 90-06022-01 | Screw, Sems Phi Pan Hd No. 6-32 x 3/8         | 3          | 15          |
| 90-06037-01 | Screw, Phi Pan Hd No. 8-32 x 3/8              | 3          | 6           |
| 90-06560-00 | Nut, Kep No. 6-32                             | 9          | 10          |
| 90-06560-00 | Nut, Kep No. 6-32                             | 8          | 12          |
| 90-06560-00 | Nut, Kep No. 6-32                             | 10         | 4           |
| 90-06563-00 | Nut, Kep No. 8-32                             | 3          | 5           |
| 90-06565-00 | Nut, Kep No. 10-32                            | 3          | 9           |
| 90-06565-00 | Nut, Kep No. 10-32 x 3/8                      | 5          | 62          |
| 90-06565-00 | Nut, Kep No. 10-32                            | 10         | 7           |
| 90-06568-00 | Nut, Hex Ext. Tooth Lock Washer No. 5/16 x 18 | 5          | 73          |
| 90-06596-00 | Nut, Hex No. 1/2 x 13                         | 3          | 24          |
| 90-06636-00 | Washer, Lock                                  | 10         | 5           |
| 90-06636-00 | Washer, Lock                                  | 5          | 13          |
| 90-06659-00 | Washer, Flat                                  | 10         | 3           |
| 90-06664-00 | Washer, Flat                                  | 14         | 6           |
| 90-06676-00 | Washer, Flat                                  | 5          | 72          |
| 90-06679-00 | Washer, Flat                                  | 5          | 74          |
| 90-07031-00 | Tie, Bundle Cable                             | 5          | 63          |
| 90-07601-01 | Foot, Leveler                                 | 3          | 23          |
| 90-07649-00 | Washer, Lock No. 6                            | 8          | 11          |
| 90-07649-00 | Washer, External Tooth Lock No. 6             | 9          | 9           |

**INDEX BY DEC PART NUMBER**  
**HSC90/60 STORAGE CONTROLLERS**

| PART NO.    | DESCRIPTION  | FIG<br>NO. | ITEM<br>NO. |
|-------------|--|------------|-------------|
| 90-08203-00 | Nut, Hex Ext. Tooth Lock Washer No. 1/4-20                             | 5          | 71          |
| 90-08264-00 | Mount, Adhesive Back Cable Tie   | 5          | 64          |
| 90-08274-00 | Foam, Tape (Black)   | 9          | 3           |
| 90-08274-02 | Foam, Tape .3/8 x 3/9 Black  | 8          | 3           |
| 90-08500-00 | Ring, Retaining  | 16         | 5           |
| 90-08878-00 | Nut, Tee No. 1/2-13  | 3          | 27          |
| 90-09026-00 | Washer, Flat   | 3          | 26          |
| 90-09168-00 | Bumper, Screw Mount Rubber   | 3          | 14          |
| 90-09255-01 | Label, "Power Supply"  | 9          | Not Shown   |
| 90-09273-02 | Ring, Retaining  | 16         | 10          |
| 90-09273-02 | Ring, Retaining  | 11         | 8           |
| 90-09644-01 | Ring, Retaining  | 16         | 13          |
| 90-09895-00 | Washer, Split Lock   | 3          | 25          |
| 90-09984-00 | Screw, Sems Phi Pan Hd No. 6-32 x 3/8                                  | 9          | 5           |
| 90-09984-00 | Screw, Sems Phi Hd No. 6-32 x 3/8                                      | 5          | 33          |
| 90-09984-00 | Screw, Sems Phi Pan Hd No. 6-32 x 3/8                                  | 15         | 4           |
| 90-09984-00 | Screw, Sems Phi Pan Hd No. 6-32 x 3/8                                  | 13         | 3           |
| 90-09984-00 | Screw, Sems Phi Pan Hd No. 6-32 x 3/8                                  | 8          | 5           |
| 90-09984-06 | Screw, Sems Phi Pan Hd No. 8-32 x 5/16                                 | 9          | 6           |
| 90-09984-06 | Screw, Sems Phi Pan Hd No. 8-32 x 5/16                                 | 8          | 6           |
| 90-09988-14 | Screw, Sems Slotted Hex No. 1/4-20 x 3/4                               | 5          | 20          |
| 90-10413-02 | Rivet, Blind Binder  | 5          | 22          |
| 90-10648-02 | Plug, Snap-In Hole   | 16         | 15          |
| 90-10648-02 | Plug, Button (White Nylon)   | 3          | 18          |
| 90-11008-01 | Nut, Wing  | 2          | 3           |
| 90-11008-01 | Nut, Wing  | 1          | 3           |
| BC22D-25    | Cable Assembly, Async 25 Ft Null Modem                                 | 2          | Not Shown   |
| BC22D-25    | Cable Assembly, Async 25 Ft Null Modem                                 | 1          | Not Shown   |
| BN03A-2E    | Cord, Power  | 2          | Not Shown   |
| BN03A-2E    | Cord, Power (Central Europe)   | 1          | Not Shown   |
| EK-HSCMN-IN | Documentation, "HSC Installation Manual"                               | 1          | Not Shown   |
| EK-HSCMN-IN | Documentation, "HSC Installation Manual"                               | 2          | Not Shown   |
| HSC5X-BA    | KIT, K.SDI INTERFACE (to 4 SDI Disk Drives)                            | 1          | Not Shown   |
| HSC5X-BA    | KIT, K.SDI INTERFACE   | 2          | Not Shown   |
| HSC5X-CA    | KIT, K.STI INTERFACE (to 4 STI Tape Formatters)                        | 1          | Not Shown   |
| HSC5X-CA    | KIT, K.STI INTERFACE   | 2          | Not Shown   |
| HSC5X-DA    | KIT, K.SI INTERFACE (to 4 SDI Disk Drives<br>or 4 STI Tape Formatters) | 1          | Not Shown   |
| HSC5X-DA    | KIT, K.SI INTERFACE (to 4 SDI Disk Drives)                             | 2          | Not Shown   |
| HSC60-AA    | HSC60-AA (120V 60 Hz)  | 2          | N/A         |
| HSC60-AB    | HSC60-AB (240V 50 Hz)  | 2          | N/A         |
| HSC60-BA    | HSC60-BA (120V 60 Hz)  | 2          | N/A         |
| HSC60-BB    | HSC60-BB (240V 50 Hz)  | 2          | N/A         |
| HSC90-AA    | HSC90-AA (120V 60 Hz)  | 1          | N/A         |
| HSC90-AB    | HSC90-AB (240V 50 Hz)  | 1          | N/A         |
| HSC90-BA    | HSC90-BA (120V 60 Hz)  | 1          | N/A         |
| HSC90-BB    | HSC90-BB (240V 50 Hz)  | 1          | N/A         |
| HSC9X-BA    | KIT, HSC90 CACHE MEMORY OPTION   | 1          | Not Shown   |
| HSC9X-BA    | KIT, CACHE MEMORY OPTION   | 2          | Not Shown   |
| HSC9X-FA    | KIT, K.SI INTERFACE (to 8 SDI DISK DRIVES)                             | 2          | Not Shown   |
| HSC9X-FA    | KIT, K.SI INTERFACE (to 8 SDI Disk Drives)                             | 1          | Not Shown   |

**INDEX BY DEC PART NUMBER**  
**HSC90/60 STORAGE CONTROLLERS**

| PART NO. | DESCRIPTION  | FIG NO. | ITEM NO.  |
|----------|--|---------|-----------|
| L0100-00 | Module, Interprocessor Link Interface  | 4       | Not Shown |
| L0107-YA | Module, HSC50 K.PL (PLI Port Control)  | 4       | Not Shown |
| L0108-YA | Module, Disk Data Channel  | 1       | Not Shown |
| L0108-YA | Module, Disk Data Channel  | 2       | Not Shown |
| L0108-YB | Module, Tape Data Channel  | 1       | Not Shown |
| L0108-YB | Module, Tape Data Channel  | 2       | Not Shown |
| L0109-00 | Module, HSC50 PILA (Packet Buffer Board)                                       | 4       | Not Shown |
| L0111-00 | Module, J-11 I/O Processor   | 4       | Not Shown |
| L0111-YC | Module, J11 I/O Control Processor 18 MHz                                       | 1       | Not Shown |
| L0111-YD | Module, P.IOJ J11 PLCY Processor 18 MHz  | 2       | Not Shown |
| L0117-AA | Module, HSC70 Standard Memory  | 4       | Not Shown |
| L0118-YA | Module, L0118 w/CIX64 Compatability  | 1       | Not Shown |
| L0118-YA | Module, L0118 x/CIX64 Compatability  | 2       | Not Shown |
| L0119-YA | Module, K.SI 4 Port SI Channel Controller                                      | 1       | Not Shown |
| L0119-YB | Module, K.SI 8 Port SI Channel Controller                                      | 1       | Not Shown |
| L0119-YB | Module, K.IS 4 Port SI Channel Controller                                      | 2       | Not Shown |
| L0121-AA | Module, 32 MB Read/Write-Through   | 1       | Not Shown |
| L0121-AA | Module, 32 MB Read/Write-Through   | 2       | Not Shown |
| L0123-AA | Module, M.STD4 (256 KB Cntrl Mem, 3 MB Prog. Mem, 512K Data Mem. & RZ33 Cntrl) | 2       | Not Shown |
| L0123-AA | Module, M.STD4 (256 KB Cntrl Mem, 3 MB Prog. Mem, 512K Data Mem. & RZ33 Cntrl) | 1       | Not Shown |
| L0124-00 | Module, K.PL12 (Port Processor)  | 2       | Not Shown |
| L0124-00 | Module, K.PL12 (Port Processor)  | 1       | Not Shown |
| L0125-00 | Module, PILA2 (Port Buffer)  | 1       | Not Shown |
| L0125-00 | Module, PILA2 (Port Buffer)  | 2       | Not Shown |
| LA50X-FF | Basket, LA50 Paper (34-21346-01)   | 2       | Not Shown |
| LA50X-FF | Basket, LA50 Paper (34-21346-01)   | 1       | Not Shown |
| LA70-AA  | Printer, LA70  | 2       | Not Shown |
| LA70-AA  | Printer, LA70  | 1       | Not Shown |
| LA70-AE  | Printer, LA70  | 2       | Not Shown |
| LA70-AE  | Printer, LA70  | 1       | Not Shown |
| LA75-AE  | Printer, LA75  | 2       | Not Shown |
| LA75-AE  | Printer, LA75  | 1       | Not Shown |
| LA75-CA  | Printer, LA75  | 1       | Not Shown |
| LA75-CA  | Printer, LA75  | 2       | Not Shown |
| LJ25X-DS | Stand, Printer Desk (replaces PCXXF-CF)  | 2       | Not Shown |
| LJ25X-DS | Stand, Printer Desk (replaces PCXXF-CF)  | 1       | Not Shown |
| QX926-H7 | Kit, HSC Software Bin RX33   | 1       | Not Shown |
| QX926-H7 | Kit, HSC Software Bin RX33   | 2       | Not Shown |
| RX33-A   | RX33 FLOPPY DRIVE  | 7       | 1         |
| VT420-AE | Terminal, Mono White (UK/Ireland)  | 1       | Not Shown |
| VT420-AE | Terminal, VT420 White (UK/Ireland)   | 2       | Not Shown |
| VT420-CA | Terminal, VT420 Amber (USA)  | 2       | Not Shown |
| VT420-CA | Terminal, VT420 Mono Amber (USA)   | 1       | Not Shown |

**INDEX BY DEC PART DESCRIPTION**  
**HSC90/60 STORAGE CONTROLLERS**

| DESCRIPTION  | DEC<br>PART NO. | FIG.<br>NO. | ITEM<br>NO. |
|--|-----------------|-------------|-------------|
| Backplane Prep Assembly                                | 70-23136-01     | 5           | 36          |
| Baffle, Front  | 74-26885-01     | 5           | 40          |
| Bar, Front Nut   | 74-28326-01     | 6           | 4           |
| Bar, Nut   | 74-27099-01     | 6           | 2           |
| Bar, Rear Nut  | 74-28327-01     | 6           | 5           |
| Basket, LA50 Paper (34-21346-01)                       | LA50X-FF        | 1           | Not Shown   |
| Basket, LA50 Paper (34-21346-01)                       | LA50X-FF        | 2           | Not Shown   |
| Bezel Assembly (10-1/2 Inch)                           | 70-23906-01     | 3           | 8           |
| Bezel, OCP   | 74-32304-01     | 13          | 1           |
| Blank, Module  | 74-28263-01     | 4           | Not Shown   |
|  |                 |             |             |
| Blower, Centrifugal, 200 CFM 120V AC                   | 12-18828-00     | 5           | 56          |
| Box Weldment, Cover                                    | 70-23202-01     | 12          | 6           |
| Bracket Weldment, Rear Vent Support                    | 70-19674-01     | 3           | 11          |
| Bracket, End Panel Lock (LH)                           | 74-27514-02     | 5           | 19          |
| Bracket, End Panel Lock (RH)                           | 74-27514-01     | 5           | 16          |
| Bracket, Front Door Lock                               | 74-31915-01     | 5           | 17          |
| Bracket, Front Door Pivot                              | 74-31917-01     | 5           | 11          |
| Bracket, Optional Sealing                              | 74-26883-01     | 9           | 4           |
| Bracket, Rear Lock                                     | 74-27182-01     | 3           | 22          |
| Bracket, RH Drive Mounting                             | 74-31918-01     | 7           | 2           |
|  |                 |             |             |
| Bracket, Sealing Standard                              | 74-26884-01     | 8           | 4           |
| Bracket, Shield Front, Lower                           | 74-31916-01     | 5           | 18          |
| Bracket, Top Drive Mounting                            | 74-32305-01     | 7           | 3           |
| Bulkhead, I/O Bottom                                   | 74-31827-01     | 5           | 47          |
| Bulkhead, I/O Top                                      | 74-31828-01     | 5           | 50          |
| Bumper, Screw Mount Rubber                             | 90-09168-00     | 3           | 14          |
| Bushing, Snap-In Nylon                                 | 90-00021-07     | 16          | 9           |
|  |                 |             |             |
| CABINET ASSEMBLY (120V 60 Hz)                          | 70-23128-03     | 5           | N/A         |
| CABINET ASSEMBLY (120V 60 Hz)                          | 70-23128-01     | 5           | N/A         |
| CABINET ASSEMBLY (120V 60 Hz)                          | 70-23128-01     | 4           | 2           |
| CABINET ASSEMBLY (240V 50 Hz)                          | 70-23128-02     | 4           | 2           |
| CABINET ASSEMBLY (240V 50 Hz)                          | 70-23128-04     | 5           | N/A         |
| CABINET ASSEMBLY (240V 50 Hz)                          | 70-23128-02     | 5           | N/A         |
| CABINET/MODULE ASSEMBLY (120V 60 Hz)                   | 70-23127-01     | 4           | 1           |
| CABINET/MODULE ASSEMBLY (240V 50 Hz)                   | 70-23127-02     | 4           | 1           |
| CABINET/MODULE ASSEMBLY 1 P.S. (50 Hz)                 | 70-23127-04     | 4           | 1           |
| CABINET/MODULE ASSEMBLY 1 P.S. (60 Hz)                 | 70-23127-03     | 4           | 1           |
|  |                 |             |             |
| CABINET/SHIELD ASSEMBLY (120V 60 Hz)                   | 70-23126-17     | 3           | 1           |
| CABINET/SHIELD ASSEMBLY (120V 60 Hz)                   | 70-23126-07     | 3           | 1           |
| CABINET/SHIELD ASSEMBLY (120V 60 Hz)                   | 70-23126-05     | 3           | 1           |
| CABINET/SHIELD ASSEMBLY (120V 60 Hz)                   | 70-23126-15     | 4           | N/A         |
| CABINET/SHIELD ASSEMBLY (120V 60 Hz)                   | 70-23126-07     | 4           | N/A         |
| CABINET/SHIELD ASSEMBLY (120V 60 Hz)                   | 70-23126-15     | 3           | 1           |
| CABINET/SHIELD ASSEMBLY (120V 60 Hz)                   | 70-23126-17     | 4           | N/A         |
| CABINET/SHIELD ASSEMBLY (120V 60 Hz)                   | 70-23126-05     | 4           | N/A         |
| CABINET/SHIELD ASSEMBLY (240V 50 Hz)                   | 70-23126-18     | 4           | N/A         |
| CABINET/SHIELD ASSEMBLY (240V 50 Hz)                   | 70-23126-06     | 3           | 1           |
|  |                 |             |             |
| CABINET/SHIELD ASSEMBLY (240V 50 Hz)                   | 70-23126-16     | 4           | N/A         |
| CABINET/SHIELD ASSEMBLY (240V 50 Hz)                   | 70-23126-18     | 3           | 1           |
| CABINET/SHIELD ASSEMBLY (240V 50 Hz)                   | 70-23126-16     | 3           | 1           |
| CABINET/SHIELD ASSEMBLY (240V 50 Hz)                   | 70-23126-06     | 4           | N/A         |
| CABINET/SHIELD ASSEMBLY (240V 50 Hz)                   | 70-23126-08     | 3           | 1           |
| CABINET/SHIELD ASSEMBLY (240V 50 Hz)                   | 70-23126-08     | 4           | N/A         |
| Cable Assembly No. 2, DC On/Off Auxiliary Power Supply | 70-20199-01     | 5           | 8           |

# INDEX BY DEC PART DESCRIPTION

## HSC90/60 STORAGE CONTROLLERS

| DESCRIPTION   | DEC<br>PART NO. | FIG.<br>NO. | ITEM<br>NO. |
|---|-----------------|-------------|-------------|
| Cable Assembly, Airflow Sensor                              | 17-01275-01     | 5           | 6           |
| Cable Assembly, Async 25 Ft Null Modem                      | BC22D-25        | 2           | Not Shown   |
| Cable Assembly, Async 25 Ft Null Modem                      | BC22D-25        | 1           | Not Shown   |
| Cable Assembly, Aux. P/S Interconnect                       | 70-19683-01     | 9           | 8           |
| Cable Assembly, Blower AC Line                              | 17-01276-03     | 5           | 57          |
| Cable Assembly, Blower AC Line                              | 17-01276-02     | 5           | 57          |
| Cable Assembly, CI Connector                                | 17-00717-01     | 5           | 55          |
| Cable Assembly, DC On/Off Aux. P/S No. 1 (deleted)          | 70-20198-01     | 9           | 7           |
| Cable Assembly, DC On/Off Power Supply                      | 70-20197-01     | 8           | 10          |
| Cable Assembly, DC On/Off Switch                            | 17-01231-02     | 5           | 69          |
| <br>  |                 |             |             |
| Cable Assembly, ESD Wrist Strap                             | 12-24023-02     | 10          | 6           |
| Cable Assembly, Floppy Signal                               | 17-01167-01     | 5           | 68          |
| Cable Assembly, OCP/Backplane                               | 17-01215-01     | 5           | 67          |
| Cable Assembly, PDP-11                                      | 70-08288-8F     | 1           | Not Shown   |
| Cable Assembly, PDP-11                                      | 70-08288-8F     | 2           | Not Shown   |
| Cable Assembly, Power Supply Airflow Sensor                 | 70-20203-01     | 8           | 9           |
| CABLE ASSEMBLY, REAR SHIELD/CI                              | 70-23140-01     | 5           | 53          |
| Cable Assembly, Relay to Power Controller Airflow Sensor    | 17-01231-01     | 5           | 7           |
| Cable Assembly, Shielded Coax                               | 17-00958-01     | 5           | 49          |
| Cable Assembly, Shielded Coax                               | 17-00958-01     | 5           | 46          |
| <br>  |                 |             |             |
| Cable Assembly, Standard Power Supply<br>Interconnect No. 2 | 70-19681-01     | 8           | 8           |
| Chassis Assembly, Riveted                                   | 70-23137-01     | 5           | 2           |
| Circuit, Flex-Bus Power                                     | 17-01265-01     | 5           | 38          |
| Clamp, SI Cable   | 74-33488-01     | 3           | 19          |
| Clip, Snap-In Flat Cable                                    | 12-22950-02     | 5           | 66          |
| Connector, 2 Position Jumper                                | 12-18783-00     | 7           | 4           |
| Controller Assembly, Power (120V 3-Phase 9 Outlet)          | 30-24374-01     | 5           | 44          |
| Controller Assembly, Power (240V 3-Phase 9 Outlet)          | 30-24374-02     | 5           | 44          |
| CONTROLLER, HSC60 STORAGE                                   | N/A             | 2           | N/A         |
| CONTROLLER, HSC90 STORAGE                                   | N/A             | 1           | N/A         |
| <br>  |                 |             |             |
| Cord, Power   | BN03A-2E        | 2           | Not Shown   |
| Cord, Power (Central Europe)                                | BN03A-2E        | 1           | Not Shown   |
| Cover Weldment, Top   | 70-19675-01     | 3           | 3           |
| Cover, Jumper Bar   | 74-32314-01     | 5           | 39          |
| Cover, Wiring Duct  | 12-21394-04     | 5           | 23          |
| <br>  |                 |             |             |
| Documentation, "HSC Installation Manual"                    | EK-HSCMN-IN     | 2           | Not Shown   |
| Documentation, "HSC Installation Manual"                    | EK-HSCMN-IN     | 1           | Not Shown   |
| DOOR ASSEMBLY, FRONT  | 70-23131-01     | 11          | N/A         |
| DOOR ASSEMBLY, FRONT  | 70-23131-01     | 10          | 1           |
| DOOR ASSEMBLY, REAR   | 70-23125-01     | 16          | N/A         |
| DOOR ASSEMBLY, REAR   | 70-23125-01     | 3           | 2           |
| Door Weldment, Front  | 70-22490-01     | 11          | 1           |
| Door Weldment, Rear   | 70-22489-01     | 16          | 1           |
| DOOR/OCP ASSEMBLY, FRONT                                    | 70-23130-01     | 10          | N/A         |
| DOOR/OCP ASSEMBLY, FRONT                                    | 70-23130-01     | 5           | 24          |
| DUCT ASSEMBLY, OUTLET                                       | 70-23219-01     | 5           | 58          |
| DUCT ASSEMBLY, OUTLET                                       | 70-23219-01     | 15          | N/A         |
| Duct Weldment Assembly, Outlet                              | 70-23220-01     | 15          | 1           |
| Duct, Wiring  | 12-21394-04     | 5           | 21          |
| <br>  |                 |             |             |
| Fastener, 1/4 Turn  | 12-14390-04     | 15          | 6           |
| Fastener, Allen Head  | 12-12972-06     | 16          | 4           |
| FLOPPY DRIVE/BRACKET ASSEMBLY                               | 70-23129-01     | 7           | N/A         |
| FLOPPY DRIVE/BRACKET ASSEMBLY                               | 70-23129-01     | 5           | 5           |

**INDEX BY DEC PART DESCRIPTION**  
**HSC90/60 STORAGE CONTROLLERS**

| DESCRIPTION  | DEC<br>PART NO. | FIG.<br>NO. | ITEM<br>NO. |
|--|-----------------|-------------|-------------|
| Foam, Acoustic   | 74-27801-05     | 15          | 2           |
| Foam, Air Filter   | 12-13121-22     | 11          | 5           |
| Foam, Tape (Black)   | 90-08274-00     | 9           | 3           |
| Foam, Tape .3/8 x 3/9 Black  | 90-08274-02     | 8           | 3           |
| Foot, Leveler  | 90-07601-01     | 3           | 23          |
| Frame Assembly   | 70-20193-01     | 6           | 1           |
| FRAME ASSEMBLY   | 70-20031-01     | 6           | N/A         |
| FRAME ASSEMBLY   | 70-20031-01     | 5           | 1           |
| Frame Weldment Assembly, Extender                                      | 70-22488-01     | 5           | 32          |
|  |                 |             |             |
| Gasket, Rear Door  | 74-33501-01     | 3           | 16          |
| Gasket, Rear Door (Bottom)   | 74-33501-02     | 3           | 17          |
| Grommet, Retainer  | 12-12972-03     | 16          | 3           |
| Guide, Nylon Card (Brown-Red)  | 12-17010-05     | 5           | 29          |
| Guide, Nylon Card (Brown-Red)  | 12-17010-06     | 5           | 30          |
|  |                 |             |             |
| Harness Assembly, Backplane to Power Supply<br>Interconnect            | 17-01266-01     | 5           | 41          |
| Harness Assembly, OCP Wire   | 17-01203-01     | 12          | 4           |
| Harness Assembly, OCP/Rocker Switch Wire                               | 17-01202-01     | 12          | 3           |
| Harness Assembly, Standard Power Supply Interconnect                   | 70-19680-01     | 8           | 7           |
| Harness Assembly, Wire   | 17-01267-01     | 5           | 52          |
| Holder Weldment, Floppy Disk   | 70-23206-01     | 10          | 8           |
| Holder, Cable Tie  | 12-22992-01     | 5           | 65          |
| HSC60-AA (120V 60 Hz)  | HSC60-AA        | 2           | N/A         |
| HSC60-AB (240V 50 Hz)  | HSC60-AB        | 2           | N/A         |
| HSC60-BA (120V 60 Hz)  | HSC60-BA        | 2           | N/A         |
| HSC60-BB (240V 50 Hz)  | HSC60-BB        | 2           | N/A         |
| HSC90-AA (120V 60 Hz)  | HSC90-AA        | 1           | N/A         |
| HSC90-AB (240V 50 Hz)  | HSC90-AB        | 1           | N/A         |
| HSC90-BA (120V 60 Hz)  | HSC90-BA        | 1           | N/A         |
| HSC90-BB (240V 50 Hz)  | HSC90-BB        | 1           | N/A         |
|  |                 |             |             |
| I/O BULKHEAD ASSEMBLY, BOTTOM  | 70-23135-01     | 5           | 45          |
| I/O BULKHEAD ASSEMBLY, TOP   | 70-23134-01     | 5           | 48          |
| Inlet Weldment Assembly, Blower  | 70-19251-01     | 5           | 34          |
|  |                 |             |             |
| KIT, CACHE MEMORY OPTION   | HSC9X-BA        | 2           | Not Shown   |
| Kit, HSC Software Bin RX33   | QX926-H7        | 1           | Not Shown   |
| Kit, HSC Software Bin RX33   | QX926-H7        | 2           | Not Shown   |
| KIT, HSC90 CACHE MEMORY OPTION   | HSC9X-BA        | 1           | Not Shown   |
| KIT, K.SDI INTERFACE   | HSC5X-BA        | 2           | Not Shown   |
| KIT, K.SDI INTERFACE (to 4 SDI Disk Drives)                            | HSC5X-BA        | 1           | Not Shown   |
| KIT, K.SI INTERFACE (to 8 SDI DISK DRIVES)                             | HSC9X-FA        | 2           | Not Shown   |
| KIT, K.SI INTERFACE (to 4 SDI Disk Drives or<br>4 STI Tape Formatters) | HSC5X-DA        | 1           | Not Shown   |
| KIT, K.SI INTERFACE (to 4 SDI Disk Drives)                             | HSC5X-DA        | 2           | Not Shown   |
| KIT, K.SI INTERFACE (to 8 SDI Disk Drives)                             | HSC9X-FA        | 1           | Not Shown   |
| KIT, K.STI INTERFACE   | HSC5X-CA        | 2           | Not Shown   |
| KIT, K.STI INTERFACE (to 4 STI Tape Formatters)                        | HSC5X-CA        | 1           | Not Shown   |
|  |                 |             |             |
| Label, "Bar Code 1.80 Inch x 0.75 Inch"                                | 36-21711-13     | 1           | Not Shown   |
| Label, "Bar Code 1.80 Inch x 0.75 Inch"                                | 36-21711-13     | 2           | Not Shown   |
| Label, "Bar Code"  | 36-21711-15     | 9           | Not Shown   |
| Label, "Bar Code"  | 36-21711-15     | 8           | Not Shown   |
| Label, "Cable Bar Code 2.2 Inch x 0.9 Inch"                            | 36-21711-15     | 1           | Not Shown   |
| Label, "Cable Bar Code 2.2 Inch x 0.9 Inch"                            | 36-21711-15     | 2           | Not Shown   |
| Label, "Card Cage Module"  | 36-21684-02     | 5           | Not Shown   |
| Label, "Card Cage Module HSC60"  | 36-21684-05     | 1           | Not Shown   |

**INDEX BY DEC PART DESCRIPTION**  
**HSC90/60 STORAGE CONTROLLERS**

| DESCRIPTION                                  | DEC<br>PART NO. | FIG.<br>NO. | ITEM<br>NO. |
|--|-----------------|-------------|-------------|
| Label, "Card Cage Module HSC60"              | 36-21684-04     | 2           | Not Shown   |
| Label, "Card Cage"                           | 36-21758-02     | 5           | Not Shown   |
| Label, "DC Power"                            | 36-25418-01     | 5           | Not Shown   |
| Label, "Door Insert"                         | 36-20763-01     | 13          | 4           |
| Label, "FCC Class A"                         | 36-17880-03     | 1           | Not Shown   |
| Label, "FCC Class A"                         | 36-17880-03     | 2           | Not Shown   |
| Label, "FCC, Class A Peripheral"             | 36-17880-03     | 5           | Not Shown   |
| Label, "Ground"                              | 36-13272-00     | 14          | Not Shown   |
| Label, "Ground Symbol (Black)"               | 36-12680-00     | 11          | 12          |
| Label, "Power Supply"                        | 90-09255-01     | 9           | Not Shown   |
| Label, "Rear Door I/O, HSC70"                | 36-21686-02     | 4           | 12          |
| Label, "Secure/Enable"                       | 36-25412-01     | 12          | 7           |
| Label, "Serial/Power Universal, Made in USA" | 36-17674-38     | 1           | Not Shown   |
| Label, "Serial/Power Universal, Made in USA" | 36-17674-38     | 2           | Not Shown   |
| Label, "Serial/Power w/UL & CSA Logos"       | 36-17674-01     | 5           | Not Shown   |
| Label, "Warning, Air Inlet"                  | 36-21683-01     | 4           | 11          |
| Latch Assembly, Locking Door w/2 Keys        | 12-25411-01     | 11          | 11          |
| Latch, Hook-End Draw                         | 12-19380-01     | 15          | 3           |
| MECHANICAL ASSEMBLY, HSC TOP                 | 70-23139-08     | 2           | 1           |
| MECHANICAL ASSEMBLY, HSC TOP                 | 70-23139-18     | 2           | 1           |
| MECHANICAL ASSEMBLY, HSC TOP                 | 70-23139-05     | 3           | N/A         |
| MECHANICAL ASSEMBLY, HSC TOP                 | 70-23139-07     | 2           | 1           |
| MECHANICAL ASSEMBLY, HSC TOP                 | 70-23139-05     | 1           | 1           |
| MECHANICAL ASSEMBLY, HSC TOP                 | 70-23139-17     | 2           | 1           |
| MECHANICAL ASSEMBLY, HSC TOP                 | 70-23139-16     | 3           | N/A         |
| MECHANICAL ASSEMBLY, HSC TOP                 | 70-23139-16     | 1           | 1           |
| MECHANICAL ASSEMBLY, HSC TOP                 | 70-23139-15     | 3           | N/A         |
| MECHANICAL ASSEMBLY, HSC TOP                 | 70-23139-08     | 3           | N/A         |
| MECHANICAL ASSEMBLY, HSC TOP                 | 70-23139-15     | 1           | 1           |
| MECHANICAL ASSEMBLY, HSC TOP                 | 70-23139-06     | 1           | 1           |
| MECHANICAL ASSEMBLY, HSC TOP                 | 70-23139-18     | 3           | N/A         |
| MECHANICAL ASSEMBLY, HSC TOP                 | 70-23139-17     | 3           | N/A         |
| MECHANICAL ASSEMBLY, HSC TOP                 | 70-23139-07     | 3           | N/A         |
| MECHANICAL ASSEMBLY, HSC TOP                 | 70-23139-06     | 3           | N/A         |
| Medallion, "HSC60"                           | 74-38607-04     | 2           | 2           |
| Medallion, "HSC90"                           | 74-38607-07     | 1           | 2           |
| Module, 32 MB Read/Write-Through             | L0121-AA        | 2           | Not Shown   |
| Module, 32 MB Read/Write-Through             | L0121-AA        | 1           | Not Shown   |
| Module, Blank                                | 74-28263-01     | 1           | Not Shown   |
| Module, Blank                                | 74-28263-01     | 2           | Not Shown   |
| Module, Disk Data Channel                    | L0108-YA        | 1           | Not Shown   |
| Module, Disk Data Channel                    | L0108-YA        | 2           | Not Shown   |
| Module, HSC50 K.PL (PLI Port Control)        | L0107-YA        | 4           | Not Shown   |
| Module, HSC50 PILA (Packet Buffer Board)     | L0109-00        | 4           | Not Shown   |
| Module, HSC70 Standard Memory                | L0117-AA        | 4           | Not Shown   |
| Module, Interprocessor Link Interface        | L0100-00        | 4           | Not Shown   |
| Module, J-11 I/O Processor                   | L0111-00        | 4           | Not Shown   |
| Module, J11 I/O Control Processor 18 MHz     | L0111-YC        | 1           | Not Shown   |
| Module, K.IS 4 Port SI Channel Controller    | L0119-YB        | 2           | Not Shown   |
| Module, K.PL12 (Port Processor)              | L0124-00        | 1           | Not Shown   |
| Module, K.PL12 (Port Processor)              | L0124-00        | 2           | Not Shown   |
| Module, K.SI 4 Port SI Channel Controller    | L0119-YA        | 1           | Not Shown   |
| Module, K.SI 8 Port SI Channel Controller    | L0119-YB        | 1           | Not Shown   |
| Module, L0118 w/CIX64 Compatibility          | L0118-YA        | 1           | Not Shown   |

**INDEX BY DEC PART DESCRIPTION**  
**HSC90/60 STORAGE CONTROLLERS**

| DESCRIPTION   | DEC<br>PART NO. | FIG.<br>NO. | ITEM<br>NO. |
|---|-----------------|-------------|-------------|
| Module, L0118 x/CIX64 Compatability   | L0118-YA        | 2           | Not Shown   |
| Module, M.STD4 (256 KB Cntrl Mem,<br>3 MB Prog. Mem, 512K Data Mem. & RZ33 Cntrl) | L0123-AA        | 1           | Not Shown   |
| Module, M.STD4 (256 KB Cntrl Mem,<br>3 MB Prog. Mem, 512K Data Mem. & RZ33 Cntrl) | L0123-AA        | 2           | Not Shown   |
| Module, Operator Control Panel  | 54-15286-01     | 13          | 2           |
| Module, P.IOJ J11 PLCY Processor 18 MHz   | L0111-YD        | 2           | Not Shown   |
| Module, PILA2 (Port Buffer)   | L0125-00        | 1           | Not Shown   |
| Module, PILA2 (Port Buffer)   | L0125-00        | 2           | Not Shown   |
| Module, Tape Data Channel   | L0108-YB        | 2           | Not Shown   |
| Module, Tape Data Channel   | L0108-YB        | 1           | Not Shown   |
| Mount, Adhesive Back Cable Tie  | 90-08264-00     | 5           | 64          |
| Nut, Hex Ext. Tooth Lock Washer No. 1/4-20  | 90-08203-00     | 5           | 71          |
| Nut, Hex Ext. Tooth Lock Washer No. 5/16 x 18                                     | 90-06568-00     | 5           | 73          |
| Nut, Hex Ext. Tooth Lock Washer No. 6-32 (added)                                  | 70-20198-02     | 9           | 11          |
| Nut, Hex No. 1/2 x 13   | 90-06596-00     | 3           | 24          |
| Nut, Kep No. 10-32  | 90-06565-00     | 10          | 7           |
| Nut, Kep No. 10-32  | 90-06565-00     | 3           | 9           |
| Nut, Kep No. 10-32 x 3/8  | 90-06565-00     | 5           | 62          |
| Nut, Kep No. 6-32   | 90-06560-00     | 8           | 12          |
| Nut, Kep No. 6-32   | 90-06560-00     | 9           | 10          |
| Nut, Kep No. 6-32   | 90-06560-00     | 10          | 4           |
| Nut, Kep No. 8-32   | 90-06563-00     | 3           | 5           |
| Nut, Tee No. 1/2-13   | 90-08878-00     | 3           | 27          |
| Nut, Wing   | 90-11008-01     | 2           | 3           |
| Nut, Wing   | 90-11008-01     | 1           | 3           |
| OCP/BEZEL ASSEMBLY  | 70-23138-01     | 12          | 1           |
| OCP/BEZEL ASSEMBLY  | 70-23138-01     | 13          | N/A         |
| OCP/COVER ASSEMBLY  | 70-23132-01     | 12          | N/A         |
| OCP/COVER ASSEMBLY  | 70-23132-01     | 10          | 2           |
| PANEL ASSEMBLY, END (40 INCH)   | 70-19083-01     | 14          | N/A         |
| PANEL ASSEMBLY, END (40 INCH)   | 70-19083-01     | 3           | 4           |
| Panel Weldment Assembly, End (40 Inch)  | 70-19082-01     | 14          | 1           |
| Pin, Door   | 74-26709-01     | 16          | 14          |
| Pin, Door Hinge   | 74-26147-00     | 11          | 9           |
| Pin, Door Hinge   | 74-26147-00     | 16          | 12          |
| Plate, Blank Front  | 74-26567-01     | 5           | 70          |
| Plate, Card Cage Cover  | 74-26888-01     | 5           | 31          |
| Plate, Floppy Drive Cover   | 74-31829-01     | 5           | 25          |
| Plug, Button (White Nylon)  | 90-10648-02     | 3           | 18          |
| Plug, Snap-In Hole  | 90-10648-02     | 16          | 15          |
| POWER SUPPLY ASSEMBLY, AUXILIARY (120V 60 Hz)                                     | 70-20184-01     | 9           | N/A         |
| POWER SUPPLY ASSEMBLY, AUXILIARY (120V 60 Hz)                                     | 70-20184-01     | 5           | 27          |
| POWER SUPPLY ASSEMBLY, AUXILIARY (240V 50 Hz)                                     | 70-20184-02     | 9           | N/A         |
| POWER SUPPLY ASSEMBLY, AUXILIARY (240V 50 Hz)                                     | 70-20184-02     | 5           | 27          |
| POWER SUPPLY ASSEMBLY, STANDARD (120V 60 Hz)                                      | 70-20033-03     | 8           | N/A         |
| POWER SUPPLY ASSEMBLY, STANDARD (120V 60 Hz)                                      | 70-20033-03     | 5           | 26          |
| POWER SUPPLY ASSEMBLY, STANDARD (240V 50 Hz)                                      | 70-20033-04     | 8           | N/A         |
| POWER SUPPLY ASSEMBLY, STANDARD (240V 50 Hz)                                      | 70-20033-04     | 5           | 26          |
| Printer, LA70   | LA70-AE         | 2           | Not Shown   |
| Printer, LA70   | LA70-AE         | 1           | Not Shown   |
| Printer, LA70   | LA70-AA         | 2           | Not Shown   |
| Printer, LA70   | LA70-AA         | 1           | Not Shown   |

**INDEX BY DEC PART DESCRIPTION**  
**HSC90/60 STORAGE CONTROLLERS**

| DESCRIPTION                                    | DEC<br>PART NO. | FIG.<br>NO. | ITEM<br>NO. |
|--|-----------------|-------------|-------------|
| Printer, LA75                                  | LA75-CA         | 2           | Not Shown   |
| Printer, LA75                                  | LA75-AE         | 1           | Not Shown   |
| Printer, LA75                                  | LA75-AE         | 2           | Not Shown   |
| Printer, LA75                                  | LA75-CA         | 1           | Not Shown   |
| Regulator, Power Supply Switching (120V 60 Hz) | 30-20199-01     | 8           | 2           |
| Regulator, Power Supply Switching (120V 60 Hz) | 30-20198-01     | 9           | 2           |
| Regulator, Power Supply Switching (240V 50 Hz) | 30-20199-02     | 8           | 2           |
| Regulator, Power Supply Switching (240V 50 Hz) | 30-20198-02     | 9           | 2           |
| Relay, 12V Coil 100 mA                         | 12-20996-01     | 5           | 43          |
| Ring, Retaining                                | 90-09273-02     | 16          | 10          |
| Ring, Retaining                                | 90-09273-02     | 11          | 8           |
| Ring, Retaining                                | 90-08500-00     | 16          | 5           |
| Ring, Retaining                                | 90-09644-01     | 16          | 13          |
| Rivet, Blind                                   | 12-19042-00     | 14          | 3           |
| Rivet, Blind Binder                            | 90-10413-02     | 5           | 22          |
| Roll Form Weldment Assembly (40 Inch)          | 70-19075-01     | 14          | 2           |
| RX33 FLOPPY DRIVE                              | RX33-A          | 7           | 1           |
| Screw, Assembly, Hex WW Female No. 4-40 x 5/16 | 12-15243-00     | 5           | 51          |
| Screw, Phi Flat Hd No. 6-32 x 1/4              | 90-06021-01     | 12          | 2           |
| Screw, Phi Pan Hd No. 8-32 x 3/8               | 90-06037-01     | 3           | 6           |
| Screw, Self-Tap Truss Hd No. 10-32 x 1/2       | 90-00063-39     | 3           | 10          |
| Screw, Sems Hex Slot Hd No. 10-16 x 1/2        | 90-00049-73     | 3           | 7           |
| Screw, Sems Phi Hd No. 6-32 x 3/8              | 90-09984-00     | 5           | 33          |
| Screw, Sems Phi Pan Hd No. 10-32 x 11/32       | 12-21368-03     | 3           | 20          |
| Screw, Sems Phi Pan Hd No. 10-32 x 11/32       | 12-21368-03     | 4           | 4           |
| Screw, Sems Phi Pan Hd No. 10-32 x 3/4         | 12-21368-03     | 5           | 35          |
| Screw, Sems Phi Pan Hd No. 10-32 x 5/8         | 12-21368-04     | 6           | 6           |
| Screw, Sems Phi Pan Hd No. 10-32 x 5/8         | 12-21368-02     | 4           | 3           |
| Screw, Sems Phi Pan Hd No. 10-32 x 5/8         | 12-21368-02     | 5           | 12          |
| Screw, Sems Phi Pan Hd No. 10-32 x 9/32        | 12-21368-04     | 6           | 3           |
| Screw, Sems Phi Pan Hd No. 6-32 x 1-1/8        | 12-21368-01     | 5           | 37          |
| Screw, Sems Phi Pan Hd No. 6-32 x 3/8          | 90-09984-00     | 15          | 4           |
| Screw, Sems Phi Pan Hd No. 6-32 x 3/8          | 90-09984-00     | 13          | 3           |
| Screw, Sems Phi Pan Hd No. 6-32 x 3/8          | 90-09984-00     | 8           | 5           |
| Screw, Sems Phi Pan Hd No. 6-32 x 3/8          | 90-09984-00     | 9           | 5           |
| Screw, Sems Phi Pan Hd No. 6-32 x 3/8          | 90-06022-01     | 3           | 15          |
| Screw, Sems Phi Pan Hd No. 8-32 x 5/16         | 90-09984-06     | 9           | 6           |
| Screw, Sems Phi Pan Hd No. 8-32 x 5/16         | 90-09984-06     | 8           | 6           |
| Screw, Sems Plain Slot No. 10-32 x 3/8         | 90-00049-38     | 14          | 5           |
| Screw, Sems Slotted Hex No. 1/4-20 x 3/4       | 90-09988-14     | 5           | 20          |
| Shield, EMI/RFI (18 Fingers)                   | 12-20580-21     | 16          | 7           |
| Shield, EMI/RFI (34 Fingers)                   | 12-20580-13     | 16          | 8           |
| Shield, EMI/RFI (45 Fingers)                   | 12-20580-15     | 11          | 6           |
| Shield, EMI/RFI (45 Fingers)                   | 12-20580-15     | 16          | 2           |
| Shield, EMI/RFI (48 Fingers)                   | 12-20580-16     | 11          | 10          |
| Shield, EMI/RFI, 34 Contacts, Adhesive         | 12-20580-13     | 4           | 9           |
| Shield, EMI/RFI, 43 Contacts, Adhesive         | 12-20580-14     | 4           | 10          |
| Shield, EMI/RFI, 45 Contacts                   | 12-20580-15     | 5           | 60          |
| Shield, EMI/RFI, 57 Contacts                   | 12-20580-17     | 5           | 10          |
| Shield, EMI/RFI, 68 Contacts                   | 12-16007-06     | 5           | 59          |
| Shield, EMI/RFI, 68 Contacts, Adhesive         | 12-20580-19     | 4           | 8           |
| Shield, EMI/RFI, 68 Contacts, Adhesive         | 12-16007-06     | 4           | 7           |
| Shield, EMI/RFI, 8 Contacts                    | 12-20580-08     | 5           | 9           |
| Shield, Front (LH)                             | 74-31953-01     | 5           | 4           |

# INDEX BY DEC PART DESCRIPTION

## HSC90/60 STORAGE CONTROLLERS

| DESCRIPTION                                    | DEC<br>PART NO. | FIG.<br>NO. | ITEM<br>NO. |
|--|-----------------|-------------|-------------|
| Shield, Front (RH)                             | 74-26906-01     | 5           | 3           |
| Shield, Rear Bottom                            | 74-31914-01     | 5           | 54          |
| Shield, Side                                   | 74-27098-01     | 4           | 6           |
| Shield, Spring                                 | 74-26725-01     | 5           | 42          |
| Shield, Spring                                 | 74-26725-01     | 16          | 6           |
| Shield, Top Cover                              | 74-27100-01     | 4           | 5           |
| Spring, Compression                            | 12-16225-01     | 11          | 7           |
| Spring, Hinge Compression                      | 12-16225-01     | 16          | 11          |
| Spring, Receptacle Fastener 1/4 Turn           | 12-12972-02     | 3           | 21          |
| Stand, Printer Desk (replaces PCXXF-CF)        | LJ25X-DS        | 1           | Not Shown   |
| Stand, Printer Desk (replaces PCXXF-CF)        | LJ25X-DS        | 2           | Not Shown   |
| Standoff, Male/Female No. 6-32                 | 12-19713-01     | 3           | 13          |
| STOP ASSEMBLY, DOOR                            | 70-19088-01     | 3           | 12          |
| Stop, Front Door                               | 70-22480-01     | 5           | 15          |
| Strap, Ground                                  | 12-13756-28     | 5           | 61          |
| Strap, Ground                                  | 12-13756-20     | 14          | 4           |
| Strap, Ground                                  | 12-13756-12     | 5           | 14          |
| Switch Assembly, Air Flow Sensor               | 12-26092-01     | 15          | 5           |
| Switch, Illuminating DPST Rocker               | 12-25547-01     | 12          | 5           |
| Switch, Rocker, Mini, On-Off (.5V 28V)         | 12-25435-01     | 5           | 28          |
| Tape, Foam                                     | 12-12431-10     | 11          | 3           |
| Tape, Foam                                     | 12-12431-09     | 11          | 4           |
| Tape, Velcro                                   | 74-27794-05     | 11          | 2           |
| Terminal, Mono White (UK/Ireland)              | VT420-AE        | 1           | Not Shown   |
| Terminal, VT420 Amber (USA)                    | VT420-CA        | 2           | Not Shown   |
| Terminal, VT420 Mono Amber (USA)               | VT420-CA        | 1           | Not Shown   |
| Terminal, VT420 White (UK/Ireland)             | VT420-AE        | 2           | Not Shown   |
| Tie, Bundle Cable                              | 90-07031-00     | 5           | 63          |
| Tray Weldment Assembly, Standard P/S           | 70-19635-01     | 8           | 1           |
| Tray Weldment Assembly, Auxiliary Power Supply | 70-19636-01     | 9           | 1           |
| Washer, External Tooth Lock No. 6              | 90-07649-00     | 9           | 9           |
| Washer, Flat                                   | 90-06679-00     | 5           | 74          |
| Washer, Flat                                   | 90-06659-00     | 10          | 3           |
| Washer, Flat                                   | 90-06664-00     | 14          | 6           |
| Washer, Flat                                   | 90-06676-00     | 5           | 72          |
| Washer, Flat                                   | 90-09026-00     | 3           | 26          |
| Washer, Lock                                   | 90-06636-00     | 10          | 5           |
| Washer, Lock                                   | 90-06636-00     | 5           | 13          |
| Washer, Lock No. 6                             | 90-07649-00     | 8           | 11          |
| Washer, Split Lock                             | 90-09895-00     | 3           | 25          |

# READER'S COMMENTS

HSC90/60 STORAGE CONTROLLERS  
Illustrated Parts Breakdown  
EK-HSC96-IP-001

## 1. How did you use this manual? (Circle your response.)

- (a) Installation                      (c) Maintenance                      (e) Training  
(b) Operation/Use                      (d) Programming                      (f) Other (Please specify) \_\_\_\_\_

## 2. Did the manual meet your needs? Yes No Why? \_\_\_\_\_

## 3. Please rate the manual on the following categories. (Circle your response.)

|                         | Excellent | Good | Fair | Poor | Unacceptable |
|-------------------------|-----------|------|------|------|--------------|
| Accuracy                | 5         | 4    | 3    | 2    | 1            |
| Clarity                 | 5         | 4    | 3    | 2    | 1            |
| Completeness            | 5         | 4    | 3    | 2    | 1            |
| Illustrations, examples | 5         | 4    | 3    | 2    | 1            |
| Overall ease of use     | 5         | 4    | 3    | 2    | 1            |
| Table of Content, Index | 5         | 4    | 3    | 2    | 1            |

## 4. What things did you like *most* about this manual? \_\_\_\_\_

## 5. What things did you like *least* about this manual? \_\_\_\_\_

## 6. Please list and describe any errors you found in the manual.

| Page  | Description/Location of Error |
|-------|-------------------------------|
| _____ | _____                         |
| _____ | _____                         |
| _____ | _____                         |
| _____ | _____                         |

## 7. Which of the following most clearly describes your job ? (Circle your response.)

- (a) Administrative Support                      (e) System Manager                      (i) Education/Trainer  
(b) Manager/Supervisor                      (f) Computer Operator                      (j) Sales/Marketing  
(c) Scientist/Engineer                      (g) Software Support                      (k) Other (Please specify) \_\_\_\_\_  
(d) Programmer/Analyst                      (h) Hardware Support

### OPTIONAL INFORMATION

Name \_\_\_\_\_ Job Title \_\_\_\_\_

Street \_\_\_\_\_ Company \_\_\_\_\_

City \_\_\_\_\_ Department \_\_\_\_\_

State/Country \_\_\_\_\_ Telephone Number \_\_\_\_\_

Postal (ZIP) Code \_\_\_\_\_ Date \_\_\_\_\_

**THANK YOU FOR YOUR COMMENTS AND SUGGESTIONS.**

Please do not use this form to order manuals. Contact your representative at Digital Equipment Corporation or (in the USA) call our DECdirect™ department at this toll-free number : 800-258-1710