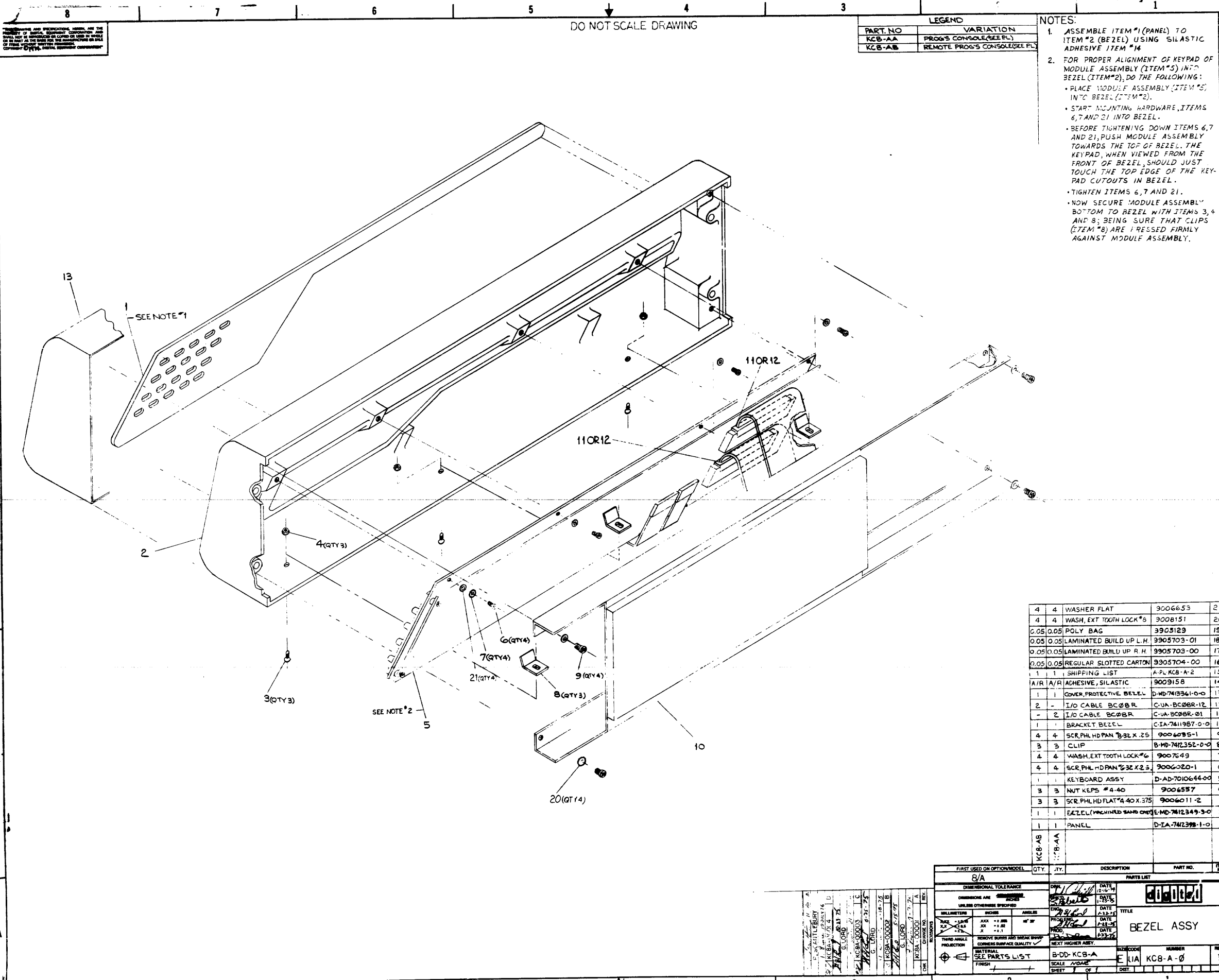


TITLE	SHEET	OF	SIZE	CODE	NUMBER	REV
DRAWING DIRECTORY KC8-A	2	3	B	DD	KC8-A	D



DO NOT SCALE DRAWING

REVISIONS AND SPECIFICATIONS, HEREIN, ARE THE PROPERTY OF BENTLEY SYSTEMS COMPANY. NO PART OF THIS DRAWING IS TO BE REPRODUCED OR TRANSMITTED IN ANY FORM OR BY ANY MEANS, ELECTRONIC OR MECHANICAL, INCLUDING PHOTOCOPYING, RECORDING, OR BY ANY INFORMATION STORAGE AND RETRIEVAL SYSTEM, WITHOUT THE WRITTEN PERMISSION OF BENTLEY SYSTEMS COMPANY.

LEGEND	
PART NO	VARIATION
KCB-AA	PROG'S CONSOLE (SEE PL)
KCB-AB	REMOTE PROG'S CONSOLE (SEE PL)

- NOTES:
- ASSEMBLE ITEM #1 (PANEL) TO ITEM #2 (BEZEL) USING SILASTIC ADHESIVE ITEM #14
 - FOR PROPER ALIGNMENT OF KEYPAD OF MODULE ASSEMBLY (ITEM #5) INTO BEZEL (ITEM #2), DO THE FOLLOWING:
 - PLACE MODULE ASSEMBLY (ITEM #5) INTO BEZEL (ITEM #2).
 - START MOUNTING HARDWARE, ITEMS 6, 7 AND 21 INTO BEZEL.
 - BEFORE TIGHTENING DOWN ITEMS 6, 7 AND 21, PUSH MODULE ASSEMBLY TOWARDS THE TOP OF BEZEL. THE KEYPAD, WHEN VIEWED FROM THE FRONT OF BEZEL, SHOULD JUST TOUCH THE TOP EDGE OF THE KEYPAD CUTOUTS IN BEZEL.
 - TIGHTEN ITEMS 6, 7 AND 21.
 - NOW SECURE MODULE ASSEMBLY BOTTOM TO BEZEL WITH ITEMS 3, 4 AND 8, BEING SURE THAT CLIPS (ITEM #8) ARE PRESSED FIRMLY AGAINST MODULE ASSEMBLY.

QTY.	DESCRIPTION	PART NO.	QTY.
4	4 WASHER FLAT	9006653	21
4	4 WASH, EXT TOOTH LOCK #6	9008151	20
0.05	0.05 POLY BAG	3905129	19
0.05	0.05 LAMINATED BUILD UP L.H.	9905703-01	18
0.05	0.05 LAMINATED BUILD UP R.H.	9905703-00	17
0.05	0.05 REGULAR SLOTTED CARTON	9905704-00	16
1	1 SHIPPING LIST	A-PL-KCB-A-2	15
A/R	A/R ADHESIVE, SILASTIC	9009158	14
1	1 COVER, PROTECTIVE, BEZEL	D-MD-7413341-0-0	13
2	- I/O CABLE BC@BR	C-IA-BC@BR-12	12
-	2 I/O CABLE BC@BR	C-IA-BC@BR-01	11
1	1 BRACKET BEZEL	C-IA-7411987-0-0	10
4	4 SCR, PHL HD PAN #32 X .25	9006085-1	9
3	3 CLIP	B-MD-7412352-0-0	8
4	4 WASH, EXT TOOTH LOCK #6	9007649	7
4	4 SCR, PHL HD PAN #32 X .25	9006020-1	6
1	1 KEYBOARD ASSY	D-AD-7010644-0-0	5
3	3 NUT KEPS #4-40	9006537	4
3	3 SCR, PHL HD FLAT #4 X .375	9006011-2	3
1	1 BEZEL (MACHINED BAND ONE)	E-MD-7412349-3-0	2
1	1 PANEL	D-IA-7412398-1-0	1

FIRST USED OR OPTION MODEL		QTY.	REV.	DATE	BY
S/A					
DIMENSIONAL TOLERANCE		DATE			
DIMENSIONS ARE IN INCHES		12-14-79			
UNLESS OTHERWISE SPECIFIED		DATE			
		12-14-79			
MILLIMETERS		DATE			
		12-14-79			
THIRD ANGLE PROJECTION		DATE			
		12-14-79			
MATERIAL		DATE			
SEE PARTS LIST		12-14-79			
FINISH		DATE			
		12-14-79			

KCB-A-0

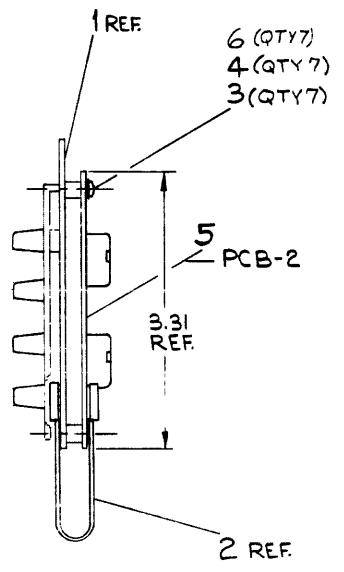
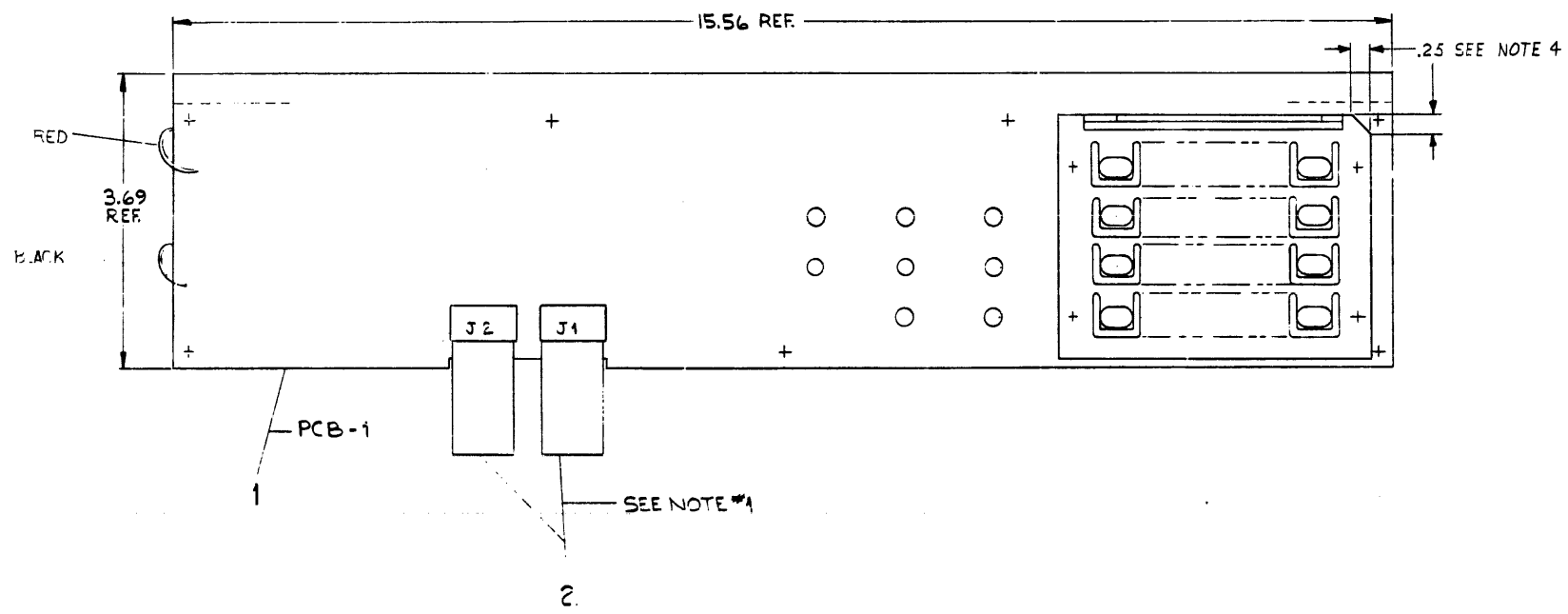
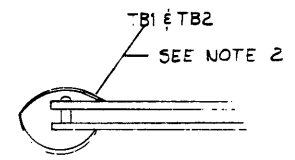
BEZEL ASSY

B-DD-KCB-A
E (A) KCB-A-0

DO NOT SCALE DRAWING

THIS DRAWING AND SPECIFICATIONS HEREIN ARE THE PROPERTY OF DIGITAL EQUIPMENT CORPORATION AND SHALL NOT BE REPRODUCED OR COPIED OR USED IN WHOLE OR IN PART AS THE BASIS FOR THE MANUFACTURE OR SALE OF ITEMS WITHOUT WRITTEN PERMISSION. COPYRIGHT © 1974, DIGITAL EQUIPMENT CORPORATION

- NOTES:
- INSTALL ITEM #2 (CABLE) AS FOLLOWS.
PCB-1-J1 TO PCB-2-J3
PCB-1-J2 TO PCB-2-J4
 - CONNECT RED WIRE FROM PCB-1 TO TB1 ON PCB-2. CONNECT BLACK WIRE FROM PCB-1 TO TB2 ON PCB-2.
 - ITEM #7 MAY BE RECYCLED WHEN USED FOR INTERPLANT SHIPMENT.
 - CLIP UPPER RIGHT HAND LIP OF KEYPAD OFF TO ALLOW PROPER ALIGNMENT INTO BEZEL.



SEE NOTE 3

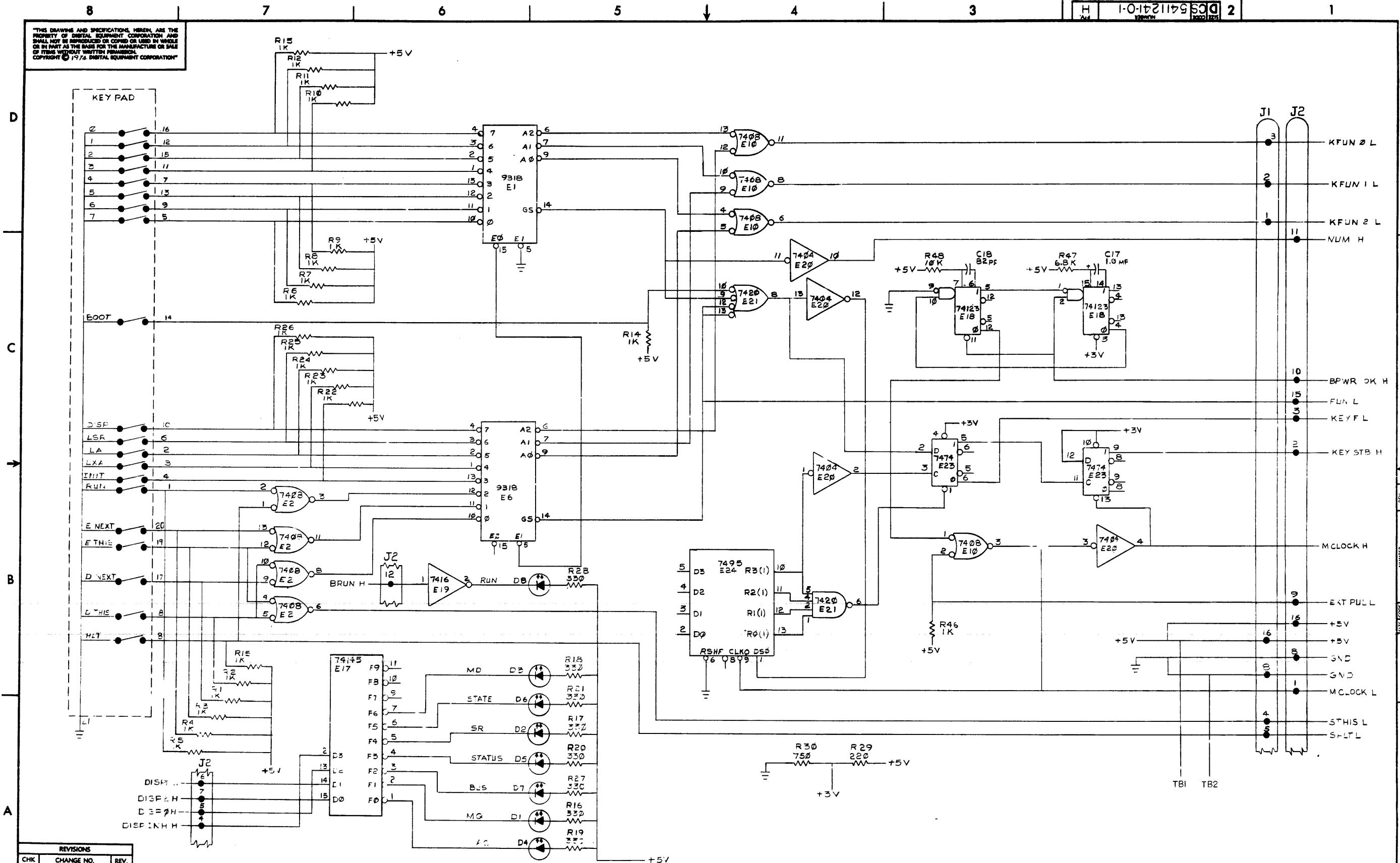
QTY.	DESCRIPTION	PART NO.	ITEM NO.
1	PACKAGING INSTRUCTIONS	A-SP-3700188-0-0	7
7	WASHER, FLAT # 4	9006655	6
1	REGISTERS AND CONTROL	D-CS-5411316-0-1	5
7	WASH INT LOCK #4	9006632	4
7	SCR PHL HD PAN #4-40X.25	9008301-1	3
2	CABLE, KEYBOARD	C-1A-7008612-00	2
1	INDICATOR DISPLAY	D-CS-5411241-0-1	1

REV.	CHG	NO.	DATE	BY	APP
A		1	7-23-75	P. Scantlebury	
B		1	7-23-75	P. Scantlebury	
C		1	7-23-75	P. Scantlebury	

FIRST USED ON OPTION/MODEL		QTY.		DESCRIPTION		PART NO.		ITEM NO.	
E/A									
DIMENSIONAL TOLERANCE									
DIMENSIONS ARE UNLESS OTHERWISE SPECIFIED									
MILLIMETERS	INCHES	ANGLES		PARTS LIST					
XXX = ±.10	XXX = ±.006	40° 30'		TITLE					
XX = ±0.8	JX = ±.02			KEYBOARD ASSY.					
X = ±.1	X = ±.1			DATE 12-13-74					
THIRD ANGLE PROJECTION				REMOVE BURRS AND BREAK SHARP CORNERS SURFACE QUALITY		NEXT HIGHER ASSY.		DATE 1-23-75	
MATERIAL SEE PARTS LIST				EUA-KCB-A-0		SIZE CODE		NUMBER	
FINISH				SCALE 1/1		DAD 7010644-0-0		REV. C	
				SHEET OF		DIST.			

DAD 7010644-0-0 C

THIS DRAWING AND SPECIFICATIONS HEREIN ARE THE PROPERTY OF DIGITAL EQUIPMENT CORPORATION AND SHALL NOT BE REPRODUCED OR COPIED OR USED IN WHOLE OR IN PART AS THE BASIS FOR THE MANUFACTURE OR SALE OF ITEMS WITHOUT WRITTEN PERMISSION. COPYRIGHT © 1974 DIGITAL EQUIPMENT CORPORATION

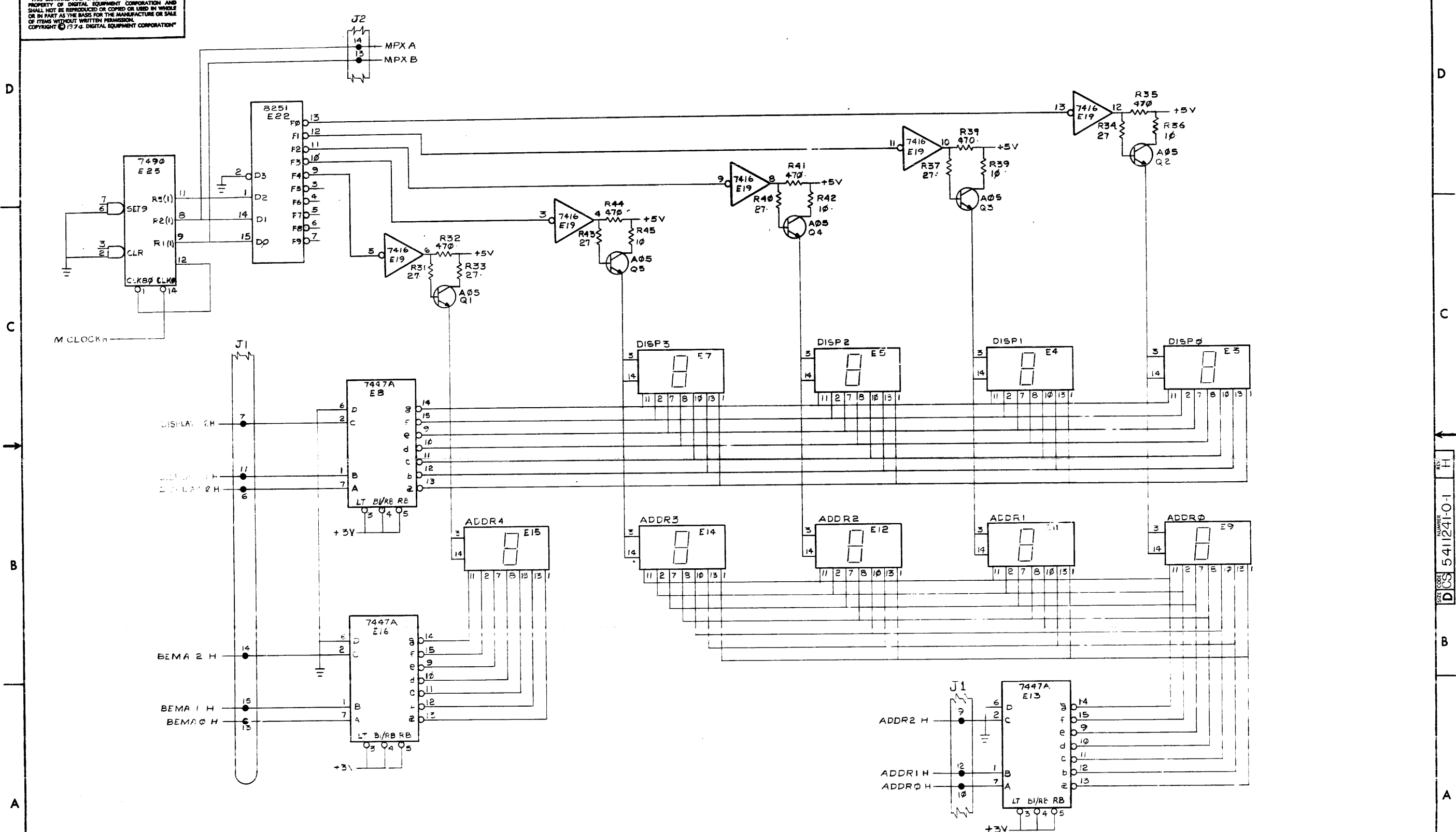


REVISIONS		
CHK	CHANGE NO.	REV.

TITLE	INDICATOR DISPLAY	SIZE CODE	D CS	NUMBER	5411241-0-1	REV.	1
SCALE	1:1	SHEET	2	OF 3	DIST.		

REV. H 5411241-0-1

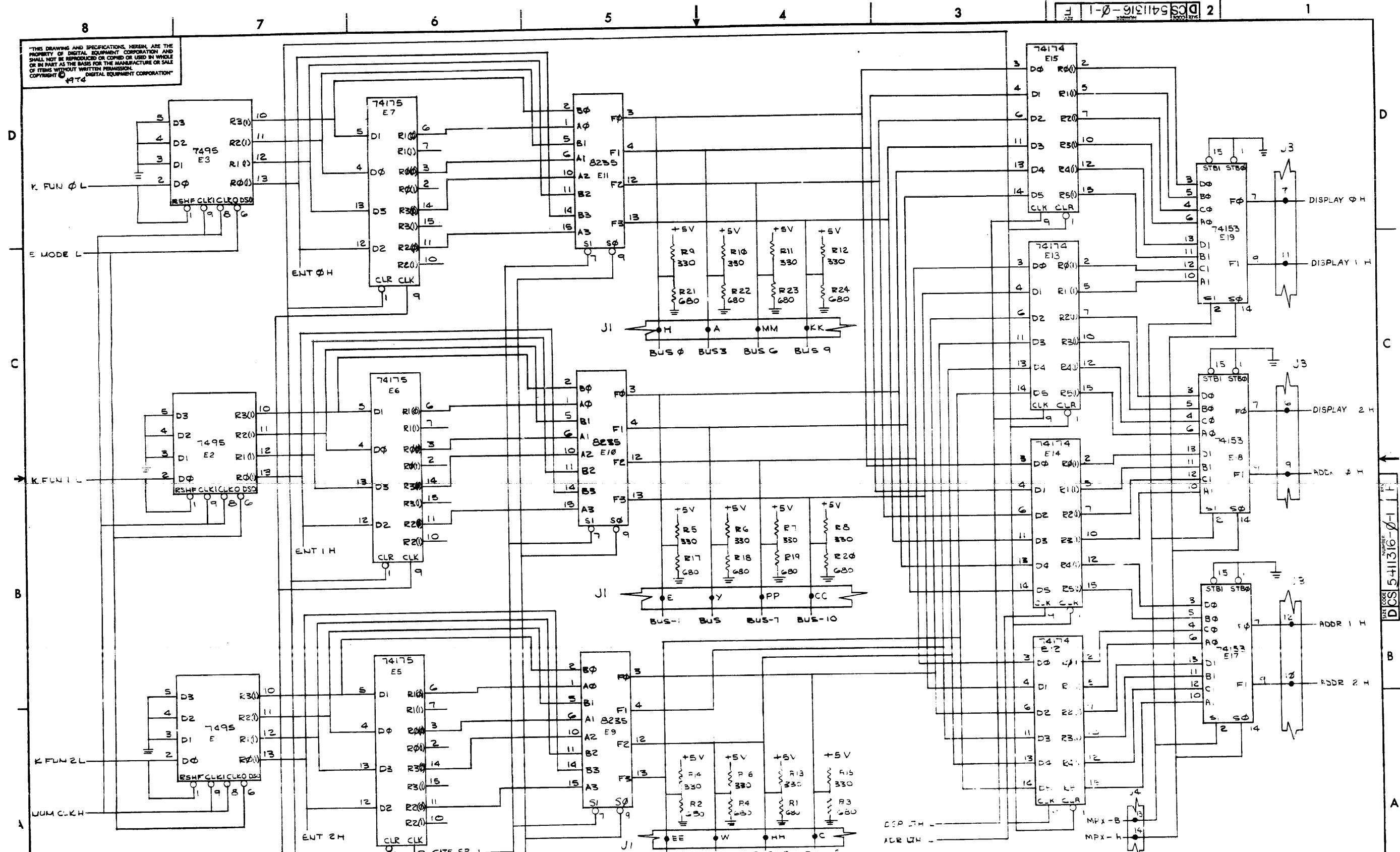
"THIS DRAWING AND SPECIFICATIONS, HEREIN, ARE THE PROPERTY OF DIGITAL EQUIPMENT CORPORATION AND SHALL NOT BE REPRODUCED OR COPIED OR USED IN WHOLE OR IN PART AS THE BASIS FOR THE MANUFACTURE OR SALE OF ITEMS WITHOUT WRITTEN PERMISSION. COPYRIGHT © 1974, DIGITAL EQUIPMENT CORPORATION"



REVISIONS		
CHK	CHANGE NO.	REV.

TITLE	INDICATOR DISPLAY	SIZE CODE	D CS	NUMBER	5411241-0-1	REV.	H
SCALE	1/1	SHEET	3	OF	3	DIST.	

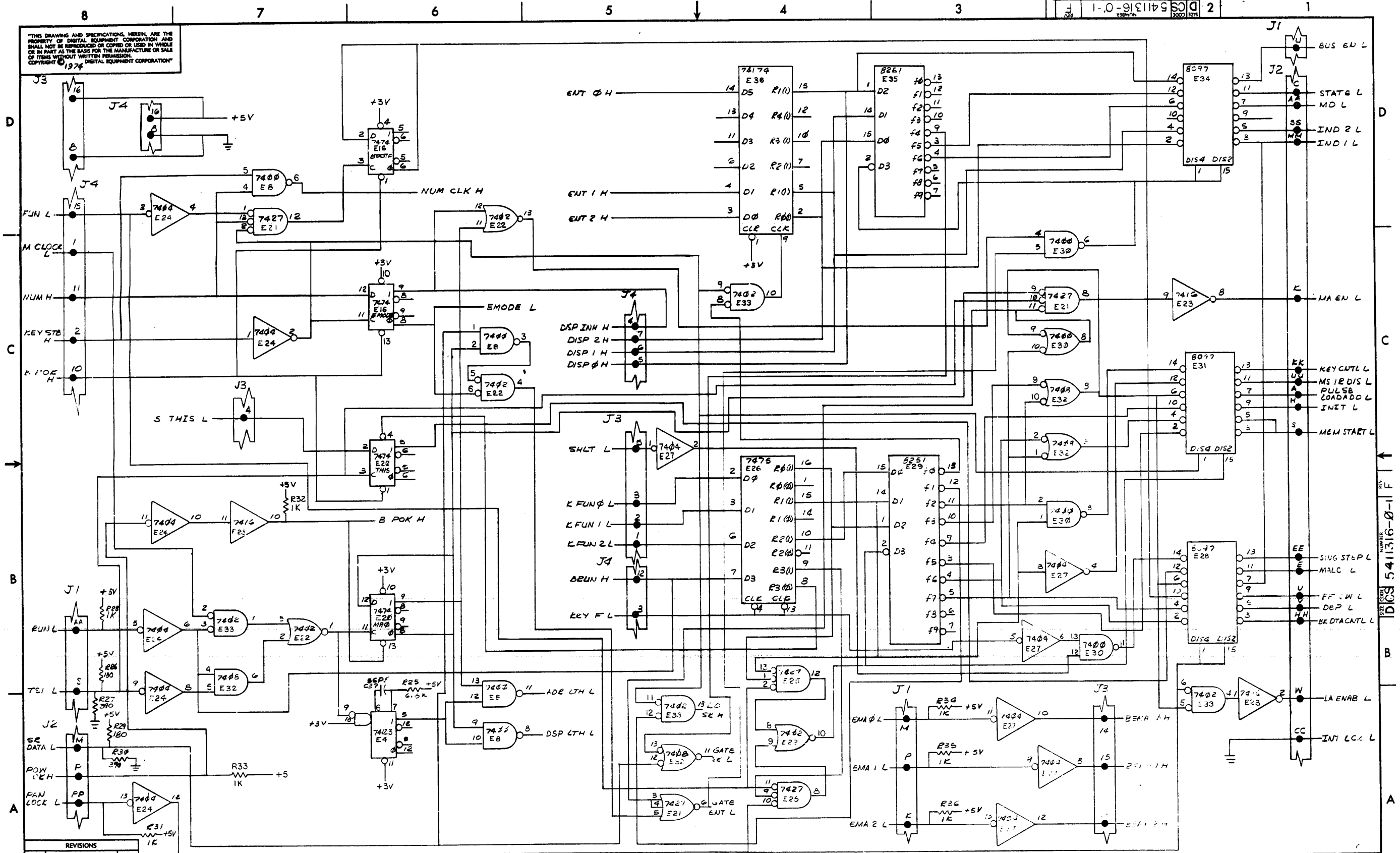
THIS DRAWING AND SPECIFICATIONS HEREIN ARE THE PROPERTY OF DIGITAL EQUIPMENT CORPORATION AND SHALL NOT BE REPRODUCED OR COPIED OR USED IN WHOLE OR IN PART AS THE BASIS FOR THE MANUFACTURE OR SALE OF ITEMS WITHOUT WRITTEN PERMISSION. DIGITAL EQUIPMENT CORPORATION COPYRIGHT © 1974



REVISIONS		
CHK	CHANGE NO.	REV.

BPOKH LD SRH		GATE SR L GATE ENT L		BUS-11 BUS-6		BUS-8 BUS-2		BUS-1 BUS-7 BUS-10		BUS-3 BUS-4 BUS-5 BUS-9		DISP LH ADR LH		MPX-B MPX-H		ADDR 1 H ADDR 2 H FDDR 2 H		DISPLAY 2 H DISPLAY 1 H DISPLAY 0 H	
TITLE: REGISTERS & CONTROL																			
SIZE CODE: DCS 5411316-0-1																			
NUMBER: 2 OF 3																			
SCALE: DIST.																			

THIS DRAWING AND SPECIFICATIONS HEREIN ARE THE PROPERTY OF DIGITAL EQUIPMENT CORPORATION AND SHALL NOT BE REPRODUCED OR COPIED OR USED IN WHOLE OR IN PART AS THE BASIS FOR THE MANUFACTURE OR SALE OF ITEMS WITHOUT WRITTEN PERMISSION. COPYRIGHT © 1974 DIGITAL EQUIPMENT CORPORATION



CHK	CHANGE NO.	REV.

TITLE	REGISTERS & CONTROL	SIZE CODE	DCS 5411316-0-1	NUMBER	F
SCALE		SHEET	3 OF 3	DIST.	