

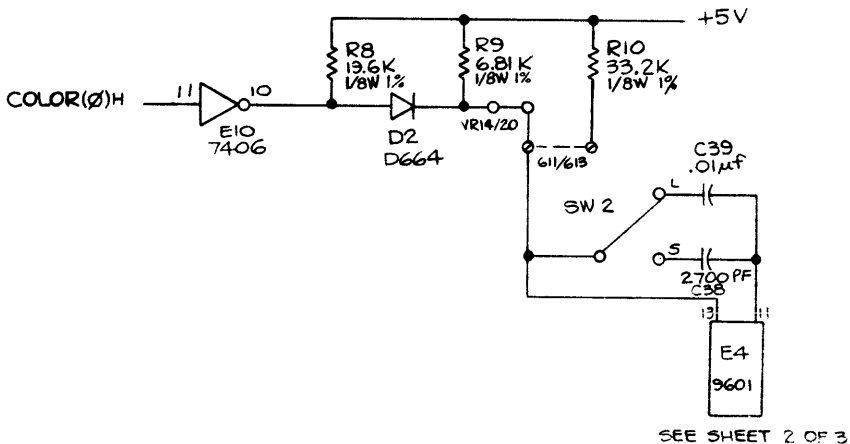
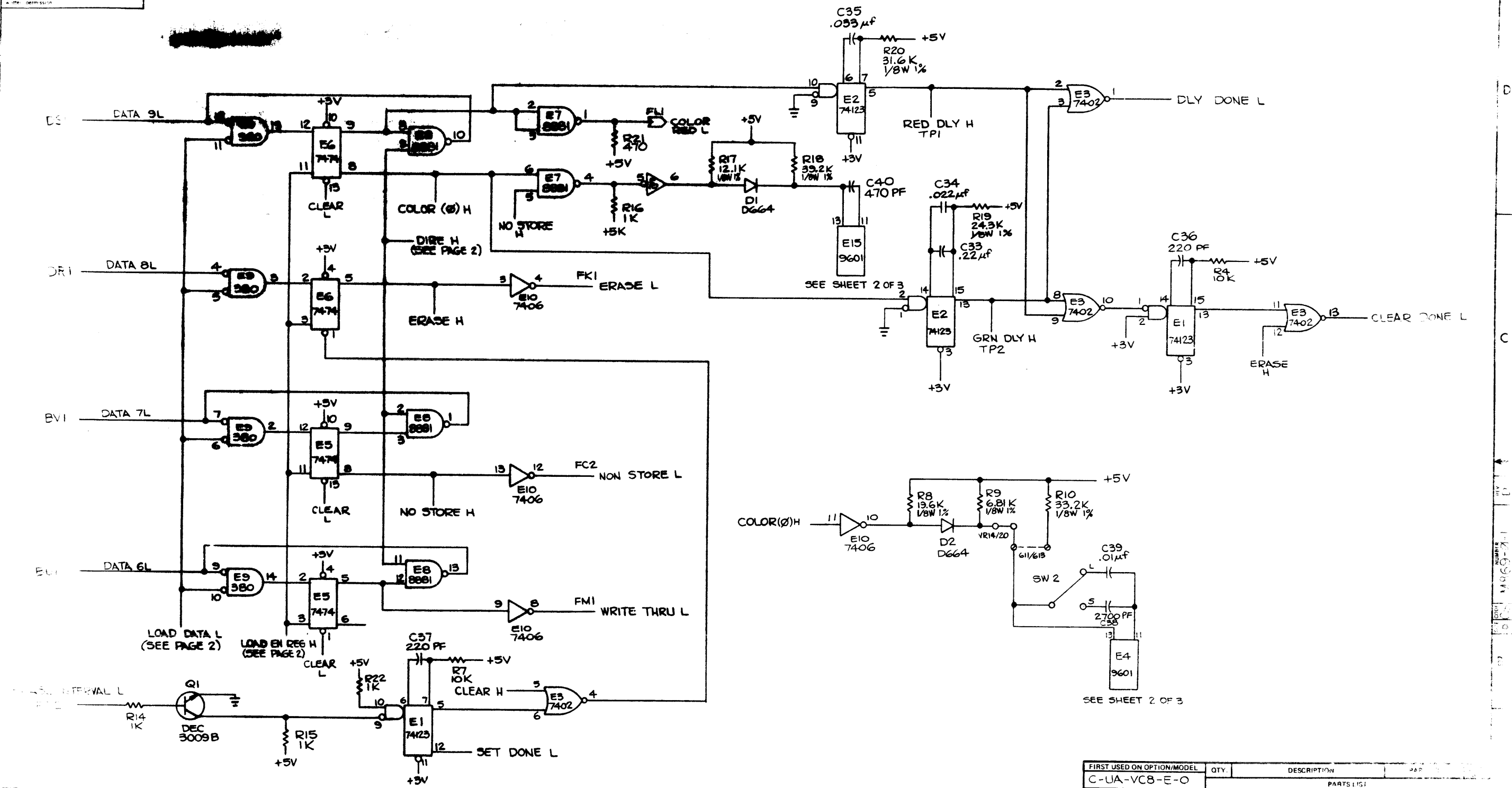
This drawing and specifications, herein, are the property of Digital Equipment Corporation and shall not be reproduced or copied or used in whole or in part as the basis for the manufacture or sale of items without written permission.

MASTER DRAWING LIST

DWG. NO.	REV. LET.	NO. OF SHEETS	TITLE
C-UA-VC8-E-0	B	1	DISPLAY CONTROL VC8-E
A-PL-VC8-E-0	B	1	DISPLAY CONTROL VC8-E (PL)
E-CS-M869-0-1	#	2	VC8 PT PLOT DSPL CONT (CONT)
E-CS-M885-0-1	#	2	VC8 PT PLOT DSPL CONT (D/A)
A-SP-VC8-E-1	REF	17	ENGINEERING SPECIFICATIONS
A-SP-VC8-E-2	REF	8	ACCEPTANCE PROCEDURES
A-AL-VC8-E-3		2	ACCESSORY LIST (VC8-E)
D-UA-BC01K-0-0 *	REF	1	VR14 SCOPE CABLE
D-UA-BC01L-0-0	REF	1	602 SCOPE CABLE
D-IA-7008491-0-0	REF	1	RM503 SCOPE CABLE
D-IA-7008499-0-0 *	REF	1	USER SPECIFIED SCOPE CABLE
D-IA-7008977-0-0	REF	1	611 STORAGE SCOPE CABLE
			*INCLUDED IN A-ML-LAB8-E

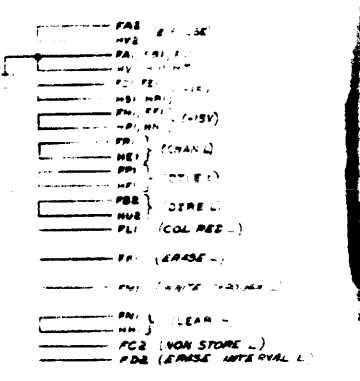
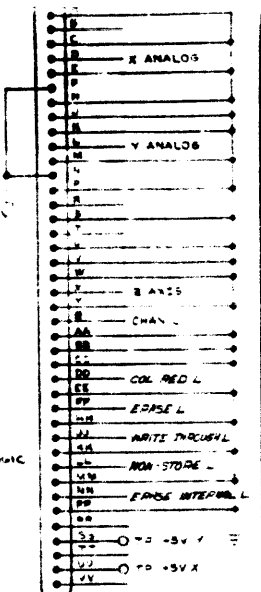
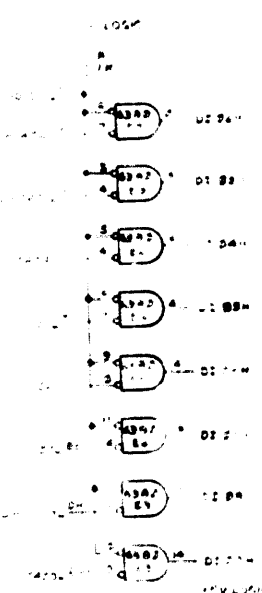
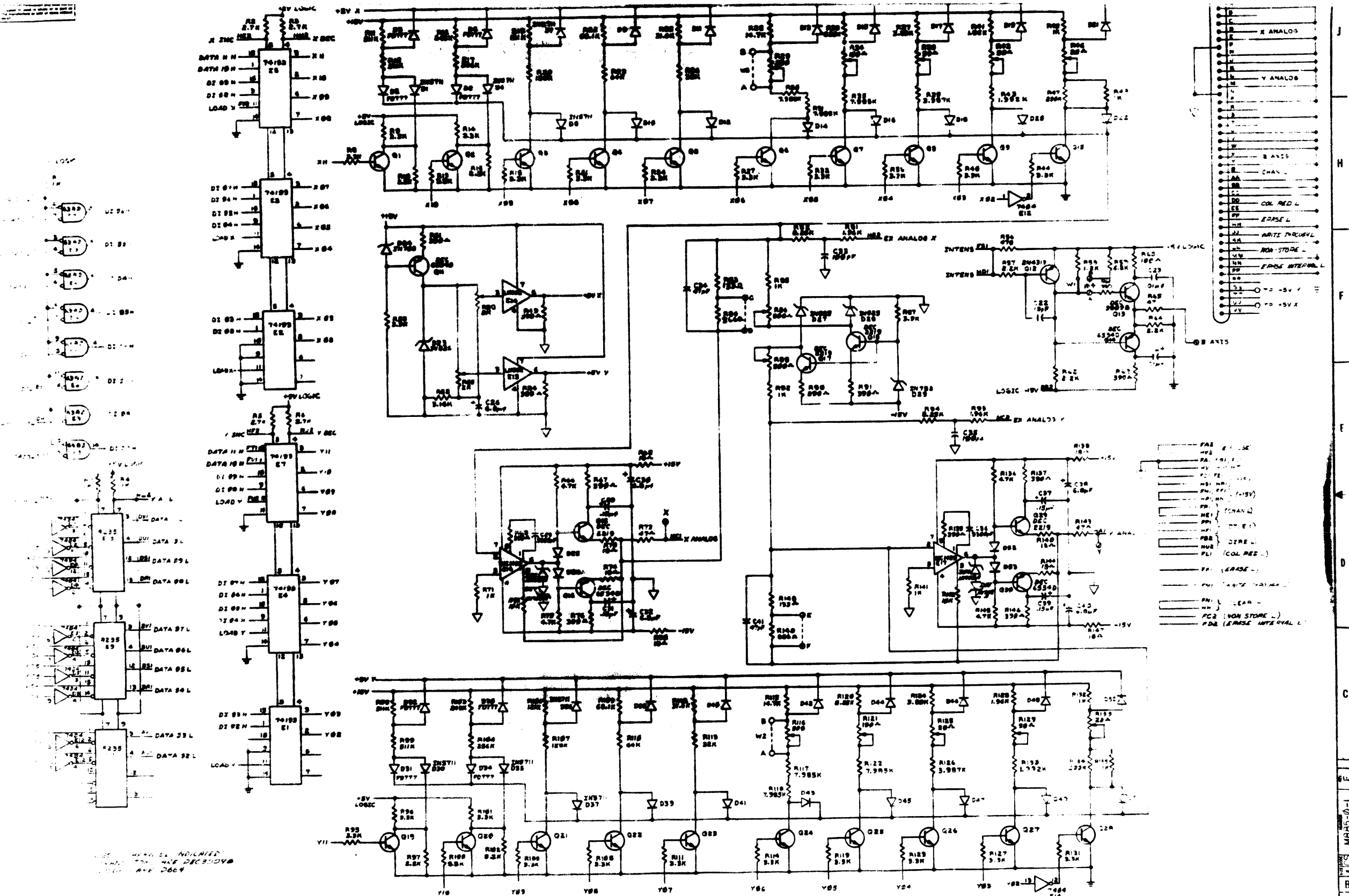
REVISIONS				DRN.	DATE	digital EQUIPMENT CORPORATION <small>MAYNARD MASSACHUSETTS</small>			
REV.	DATE	CHG. NO.	APP'D.	CHK'D.	DATE				
A	11/71	00001	A.W.	<i>[Signature]</i>	4-1-72	TITLE DISPLAY CONTROL VC8-E			
B	1/72	LAB8E-13	G.B.	<i>[Signature]</i>	4-2-72				
C	8/72	VC8E-2	A.C.F.	<i>[Signature]</i>	4-2-72				
				PROD. ENG.	DATE				
				PROD.	DATE				
				FIRST USED ON		SIZE	CODE	NUMBER	REV.
				LAB8-E		A	ML	VC8-E	C
				SCALE					
				SHEET	1	OF	1	DIST.	

This drawing and specifications, herein, are the property of Digital Equipment Corporation and shall not be reproduced, copied or used in whole or in part as the basis for the manufacture or sale of items without written permission.



SEE SHEET 2 OF 3

FIRST USED ON OPTION/MODEL	QTY.	DESCRIPTION	DATE
C-UA-VC8-E-0			
PARTS LIST			
UNLESS OTHERWISE SPECIFIED DIMENSION IN INCHES TOLERANCES	CHK'D	DATE	
DECIMALS	ANGLES	DATE	
.XXX - .006	±0° 30'	DATE	
.XX - .02		DATE	
.X - .1		DATE	
REMOVE BURRS AND BREAK SHARP CORNERS SURFACE QUALITY	PRGM	DATE	
MATERIAL	NEXT HIGHER ASSY	DATE	
FINISH	SCALE	DATE	
	SHEET 3 OF 3	DATE	



RESISTOR VALUES INDICATED
UNLESS OTHERWISE SPECIFIED
RESISTOR VALUES ARE IN OHMS

REV	DESCRIPTION	DATE	BY
1	LAB B/E		
2			
3			
4			
5			
6			
7			
8			
9			
10			

REV	DESCRIPTION	DATE	BY
1	LAB B/E		
2			
3			
4			
5			
6			
7			
8			
9			
10			

REV	DESCRIPTION	DATE	BY
1	LAB B/E		
2			
3			
4			
5			
6			
7			
8			
9			
10			

ECS M885-0-1

DIGITAL EQUIPMENT CORPORATION
MAYNARD, MASSACHUSETTS

ACCESSORY LIST

MADE BY K.Symes
DATE 12-17-71
ENG *W. J. Symes*
DATE 12-17-71

CHECKED *W. J. Symes*
DATE 12/21/71
PROD. *W. J. Symes*
DATE 12/17/71

SECTION
ISSUED SECT.

ITEM NO.	DWG NO. / PART NO.	DESCRIPTION	LEGEND				QUANTITY / VARIATION								
			D	DN	PA	PB	PM	VC8-E Alone	VC8-E and VR14	VC8-E and VM03	KIT CHECK	INSTALLATION CHECK			
1	M869	VC8-E Point Plot Display Control Module						1	1	1					
2	M885	D-A Point Plot Control Module						1	1	1					
3	H851	Edge Connector						2	2	2					
4	7008499	User Display Cable						1	-	-					
5	BC01K	VR14 Display Cable						-	1	-					
6	BC01L	602 Display Cable (part of VM03)						-	-	1					
7	--	Analog High Quality Power Assembly						*	*	*					
	7008370-1	115V Table-top Mounting or													
	7008370-2	230V Table-top Mounting or													
	7008477-1	115V Rack Mounting or													
	7008477-2	230V Rack Mounting													
	7008375	Analog Power Cable													
8	VC8-E	* Item 7 is not to be supplied to systems in field with an AD8-EA already installed. HQ power supply type # is tailored to specific system in Systems Production.													
9	IAB8-E	VC8-E Display Control Print Set						1	1	1					
		IAB8-E Print Set						1	1	1					
TITLE VC8-E Accessory List			SIZE CODE AAL		ASSY. NO.		NUMBER		REV. ECO NO						
			DIST.		SHEET 1 OF 2		VC8-E -3								

DEC FORM NO. DRA 121

DIGITAL EQUIPMENT CORPORATION
MAYNARD, MASSACHUSETTS

ACCESSORY LIST

MADE BY K.Symes
DATE 12-17-71
ENG *W. J. Symes*
DATE 12-17-71

CHECKED *W. J. Symes*
DATE 12/21/71
PROD. *W. J. Symes*
DATE 12/17/71

SECTION
ISSUED SECT.

ITEM NO.	DWG NO. / PART NO.	DESCRIPTION	LEGEND				QUANTITY / VARIATION								
			D	DN	PA	PB	PM	VC8-E Alone	VC8-E and VR14	VC8-E and VM03	KIT CHECK	INSTALLATION CHECK			
10	MAINDEC 8E-D6CA-AB	VC8E Diagnostic - Punched Binary Tape						1	1	1					
11	MAINDEC 8E-D6CA-DL-(D)	VC8E Diagnostic - Document Listing						1	1	1					
12	DEC-LB-HRZA-D	IAB8-E User's Handbook						1	1	1					
13	DEC-LB-HXZA-D	IAB8-E Maintenance Manual						1	1	1					
14		IAB8-E Programming Card						1	1	1					
NOTE: When item 12 or 13 is temporarily waived, ship the following:															
	A-SP-VC8E-1	VC8E Engineering Specification						1	1	1					
	A-SP-VC8E-2	VC8E Acceptance Procedure						1	1	1					
TITLE VC8-E Accessory List			SIZE CODE AAL		ASSY. NO.		NUMBER		REV. ECO NO						
			DIST.		SHEET 2 OF 2		VC8-E -3								

DEC FORM NO. DRA 121