

"THE MATERIAL HEREIN IS FOR INFORMATION PURPOSES ONLY AND IS SUBJECT TO CHANGE WITHOUT NOTICE. DIGITAL EQUIPMENT CORPORATION ASSUMES NO RESPONSIBILITY FOR ANY ERRORS WHICH MAY APPEAR HEREIN."

FIELD MAINTENANCE PRINT SET

"THIS DRAWING AND SPECIFICATIONS, HEREIN, ARE THE PROPERTY OF DIGITAL EQUIPMENT CORPORATION AND SHALL NOT BE REPRODUCED OR COPIED OR USED IN WHOLE OR IN PART AS THE BASIS FOR THE MANUFACTURE OR SALE OF ITEMS WITHOUT WRITTEN PERMISSION. COPYRIGHT ©1981, DIGITAL EQUIPMENT CORPORATION." 1981

TABLE OF CONTENTS

B-TC-278-Ø-1	278 SYSTEM ARRANGEMENT (TC)
B-DD-278-Ø	278 SYSTEM ARRANGEMENT (DWG. DIR. ONLY)
E-AR-278-Ø-Ø	278 SYSTEM ARRANGEMENT
K-PL-278-O-DBP	278 SYSTEM ARRANGEMENT
K-PT LQPSE-F-O	SERIAL CONTROL OPTION (DWG. DIR. ONLY)
MP-ØØ9ØØ-ØØ	PRINT SET VT278
MP-ØØ469-ØØ	PRINT SET RX78
MP-ØØ663-ØØ	PRINT SET LA12Ø
MP-Ø1Ø92-ØØ	PRINT SET LA34-W
MP-ØØ94Ø-ØØ	PRINT SET LQPXX-AC
MP-ØØ449-ØØ	PRINT SET LQP78-Ø
MP-ØØ8ØØ-ØØ	PRINT SET LQPXX-C

UNIT VARIATIONS COVERED BY THIS PRINT SET	
278-AA	278-ET
278-AB	278-EV
278-AC	278-GB
278-AD	278-GD
278-AE	278-GF
278-AF	278-GJ
278-AH	278-GN
278-AJ	278-GR
278-AM	278-GT
278-AN	278-GV
278-AP	278-JB
278-AR	278-JD
278-AS	278-JF
278-AT	278-JJ
278-AU	278-JN
278-AV	278-JR
278-CA	278-JT
278-CC	278-JV
278-CE	
278-CH	
278-CM	
278-CP	
278-CS	
278-CU	
278-EB	
278-ED	
278-EF	
278-EJ	
278-EN	
278-ER	

278 SYSTEM
Field Maintenance
Print Set

Digital Equipment
Corporation

PRINT SET PART NO.
MP-Ø1237-ØØ

REVISIONS	REV.	A	digital	TITLE: 278 SYSTEM ARRANGEMENT	DRN.	Lise Graham	DATE	4/21/81		
	CHG. NO.	INITIAL			CHK'D	D. Healy	DATE	6/24/81		
	DATE				PROJ. ENG.	Roy Kizima	DATE	6/24/81		
					FIELD SERV.	Carl Cline	DATE	6/24/81		
SHEET I OF 1			SIZE	B	CODE	TC	NUMBER	278-Ø-1	REV.	A
			DIST.							

EN-0124-16-NB78-(327)

"THE MATERIAL HEREIN IS FOR INFORMATION PURPOSES ONLY AND IS SUBJECT TO CHANGE WITHOUT NOTICE. DIGITAL EQUIPMENT CORPORATION ASSUMES NO RESPONSIBILITY FOR ANY ERRORS WHICH MAY APPEAR HEREIN."

DRAWING DIRECTORY

"THIS DRAWING AND SPECIFICATIONS, HEREIN, ARE THE PROPERTY OF DIGITAL EQUIPMENT CORPORATION AND SHALL NOT BE REPRODUCED OR COPIED OR USED IN WHOLE OR IN PART AS THE BASIS FOR THE MANUFACTURE OR SALE OF ITEMS WITHOUT WRITTEN PERMISSION. COPYRIGHT © 1981 DIGITAL EQUIPMENT CORPORATION."

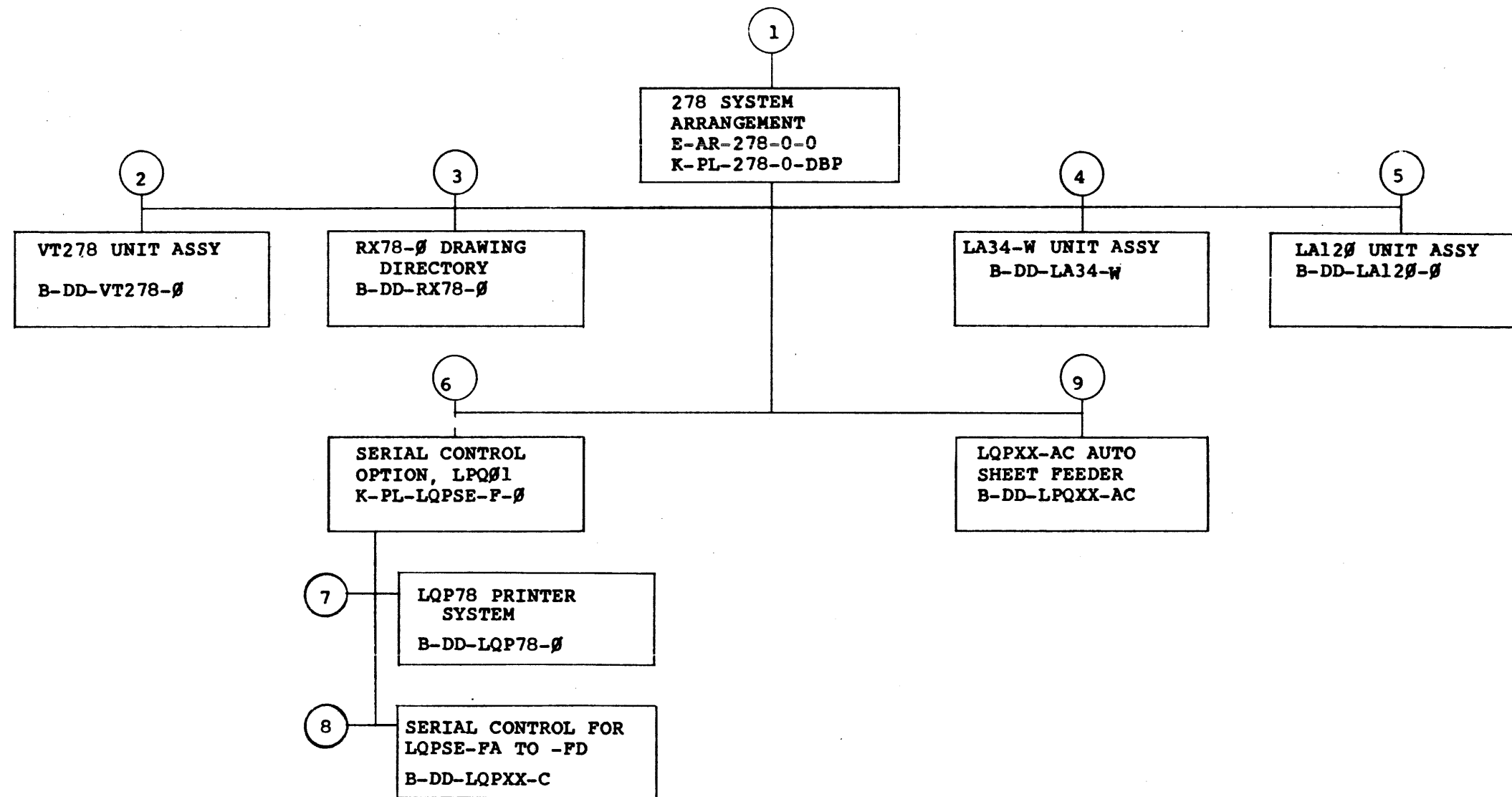
FOR FIELD MAINTENANCE PRINT SET
REFER TO B-TC-278-0-1

UNIT VARIATIONS	
VAR	TITLE
278-AA	VT278-AC, (USA/UK) RX78-RA, 120V 60 HZ
278-AB	VT278-AD, (USA/UK) RX78-RD, 240V 50 HZ
278-AC	278-AA, LA34-WA, 120V 60 HZ
278-AD	278-AB, LA34-WA, 240V 50 HZ
278-AE	278-AA, LA120-RA, 120V 60 HZ
278-AF	278-AB, LA120-RA, 240V 50 HZ
278-AH	278-AA, LQPSE-FA, LQPXX-AC, 120V 60 HZ
278-AJ	278-AB, LQPSE-FD, LQPXX-AC, 240V 50 HZ
278-AM	VT278-AH, (USA/UK) RX78-RA, 120V 60 HZ
278-AN	VT278-AJ, (USA/UK) RX78-RD, 240V 50 HZ
278-AP	278-AM, LA34-WA, 120V 60 HZ
278-AR	278-AN, LA34-WA, 240V 50 HZ
278-AS	278-AM, LA120-RA, 120V 60 HZ
278-AT	278-AN, LA120-RA, 240V 50 HZ
278-AU	278-AM, LQPSE-FA, LQPXX-AC, 120V 60 HZ
278-AV	278-AN, LQPSE-FD, LQPXX-AC, 240V 50 HZ
278-CA	VT278-CA (FR/CAN) RX78-RA, 120V 60 HZ
278-CC	278-CA LA34-WA, 120V 60 HZ
278-CE	278-CA LA120-RA, 120V 60 HZ
278-CH	278-CA LQPSE-FA, LQPXX-AC, 120V 60 HZ
278-CM	VT278-CH (FR/CAN) RX78-RA, 120V 60 HZ
278-CP	278-CM, LA34-WA, 120V 60 HZ
278-CS	278-CM, LA120-RA, 120V 60 HZ
278-CU	278-CM, LQPSE-FA, LQPXX-AC, 120V 60 HZ
278-EB	VT278-ED (FRENCH) RX78-RD 240V 50 HZ
278-ED	278-EB, LA34-WA, 240V 50 HZ
278-EF	278-EB, LA120-RA, 240V 50 HZ
278-EJ	278-EB, LQPSE-FD, LQPXX-AC, 240V 50 HZ
278-EN	VT278-EJ (FRENCH) RX78-RD, 120V 60 HZ
278-ER	278-EN, LA34-WA, 240V 50 HZ
278-ET	278-EN, LA120-RA, 240V 50 HZ
278-EV	278-EN, LQPSE-FD, LQPXX-AC, 240V 50 HZ

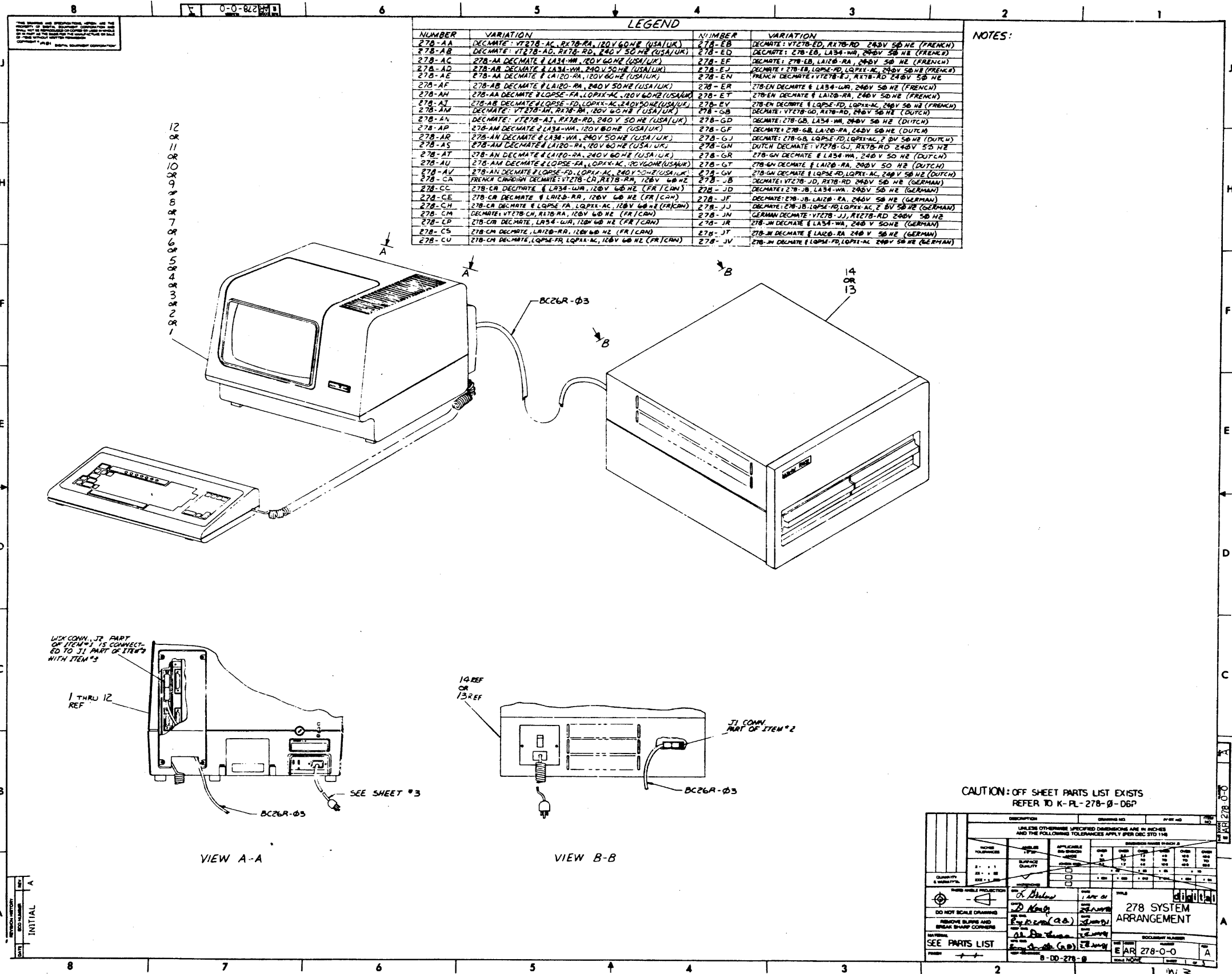
UNIT VARIATIONS	
VAR	TITLE
278-GB	VT278-GD (DUTCH) RX78-RD 240V 50 HZ
278-GD	278-GB, LA34-WA, 240V 50 HZ
278-GF	278-GB, LA120-RA, 240V 50 HZ
278-GJ	278-GB, LQPSE-FD, LQPXX-AC, 240V 50 HZ
278-GN	VT278-GJ, (DUTCH) RX78-RD, 240V 50 HZ
278-GR	278-GN, LA34-WA, 240V 50 HZ
278-GT	278-GN, LA120-RA, 240V 50 HZ
278-GV	278-GN, LQPSE-FD, LQPXX-AC, 240V 50 HZ
278-JB	VT278-JD (GERMAN) RX78-RD, 240V 50 HZ
278-JD	278-JB, LA34-WA, 240V 50 HZ
278-JF	278-JB, LA120-RA, 240V 50 HZ
278-JJ	278-JB, LQPSE-FD, LQPXX-AC, 240V 50 HZ
278-JN	VT278-JJ (GERMAN) RX78-RD, 240V 50 HZ
278-JR	278-JN, LA34-WA, 240V 50 HZ
278-JT	278-JN, LA120-RA, 240V 50 HZ
278-JV	278-JN, LQPSE-FD, LQPXX-AC, 240V 50 HZ

REVISIONS	CHK	INITIAL	REV.	A	USED ON OPTION/MODEL	DRN.	LISE GRAHAM	DATE	21 APR 81	TITLE	digital			
	CHANGE NO.					CHK'D.	<i>D/Day</i>	DATE	24 JUN 81					
						PROJ. ENG.	<i>al De la...</i>	DATE	24 JUN 81		SIZE	CODE	NUMBER	REV
						PROD.	<i>(ad) Barry Daville</i>	DATE	24 JUN 81		B	DD	278-0	A
SHEET 1 OF 3						DIST.								

ML3



TITLE	SHEET	OF	SIZE	CODE	NUMBER	REV.
278 SYSTEM ARRANGEMENT	2	3	B	DD	278-Ø	A



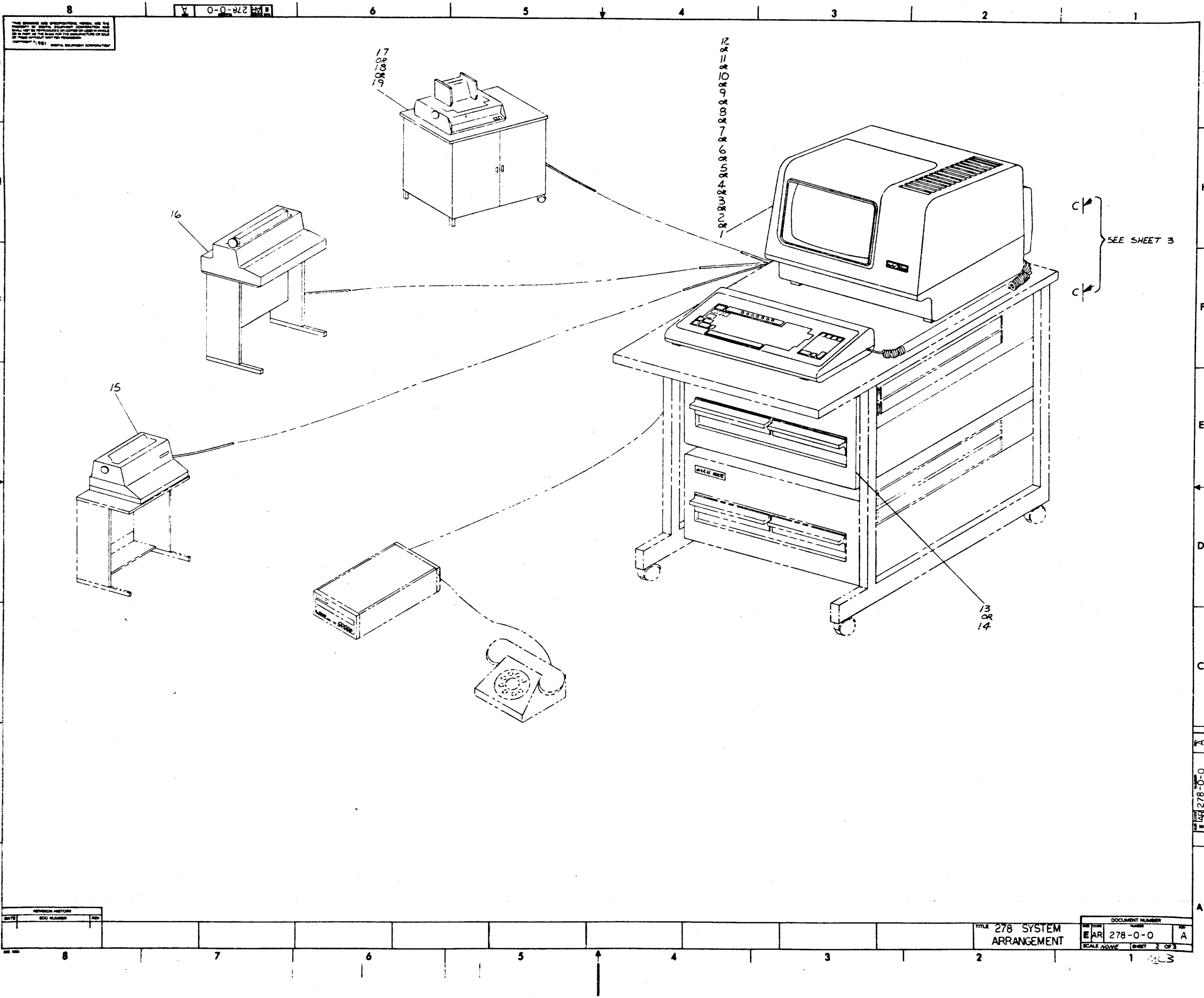
LEGEND

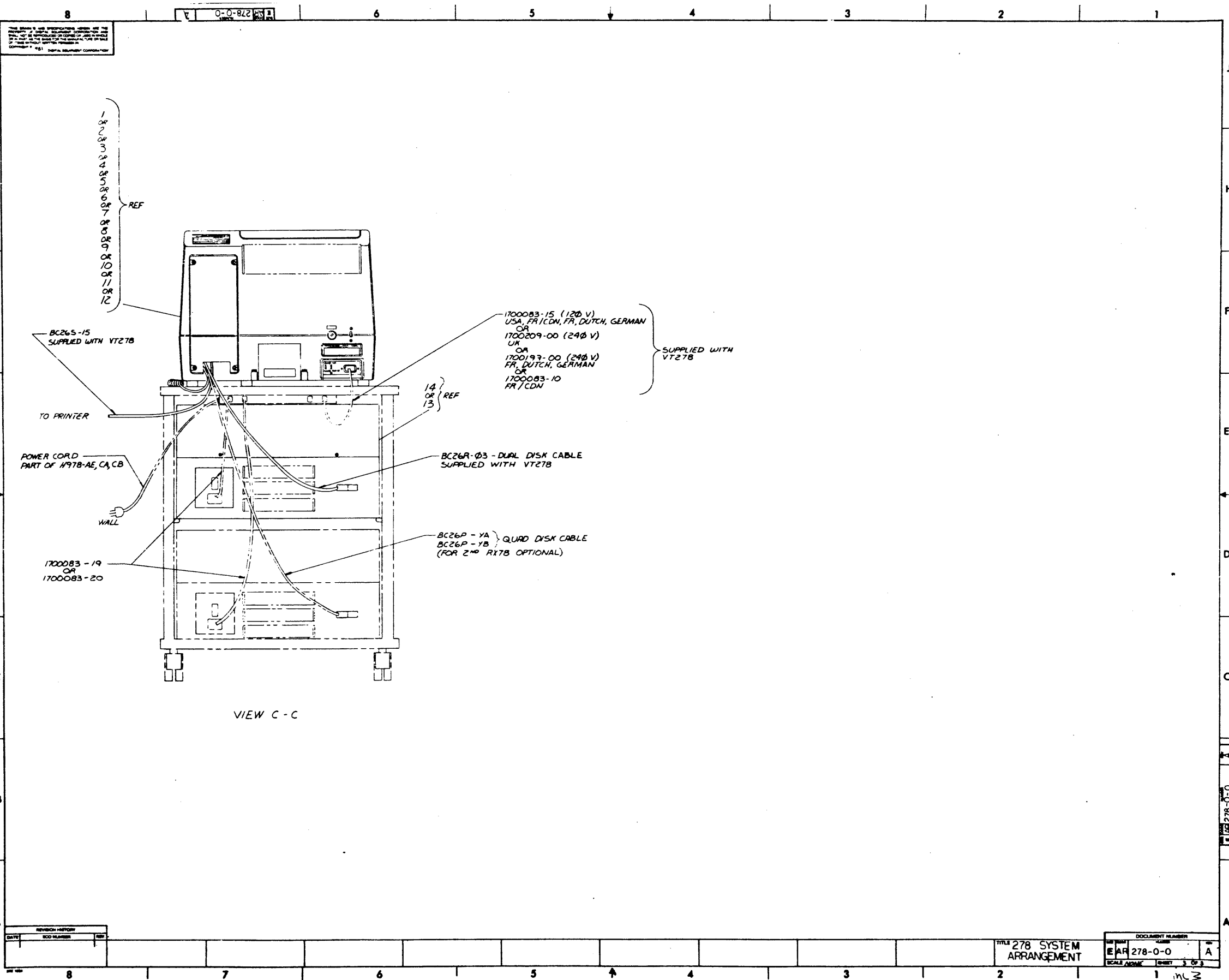
NUMBER	VARIATION	NUMBER	VARIATION
278-AA	DECIMATE: VT278-AC, RT78-RA, 120V 60HZ (USA/UK)	278-ED	DECIMATE: VT278-ED, RT78-RD, 240V 50 HZ (FRENCH)
278-AB	DECIMATE: VT278-AD, RT78-RD, 240V 50 HZ (USA/UK)	278-EB	DECIMATE: 278-EB, LA28-WA, 240V 50 HZ (FRENCH)
278-AC	278-AA DECIMATE & LA28-WA, 120V 60HZ (USA/UK)	278-EC	DECIMATE: 278-EC, LA28-RA, 240V 50 HZ (FRENCH)
278-AD	278-AB DECIMATE & LA28-WA, 240V 50 HZ (USA/UK)	278-EF	DECIMATE: 278-EB, LA28-RA, 240V 50 HZ (FRENCH)
278-AE	278-AA DECIMATE & LA20-RA, 120V 60HZ (USA/UK)	278-EJ	DECIMATE: 278-EB, LQPSF-RD, LQPSX-AC, 240V 50 HZ (FRENCH)
278-AF	278-AB DECIMATE & LA20-RA, 240V 50 HZ (USA/UK)	278-EN	FRENCH DECIMATE: VT278-EJ, RT78-RD, 240V 50 HZ (FRENCH)
278-AH	278-AA DECIMATE & LQPSF-FA, LQPSX-AC, 120V 60HZ (USA/UK)	278-ER	278-EN DECIMATE & LA28-WA, 240V 50 HZ (FRENCH)
278-AI	278-AB DECIMATE & LQPSF-FA, LQPSX-AC, 240V 50 HZ (USA/UK)	278-ET	278-EN DECIMATE & LA28-RA, 240V 50 HZ (FRENCH)
278-AM	DECIMATE: VT278-AM, RT78-RA, 120V 60 HZ (USA/UK)	278-EV	278-EN DECIMATE & LQPSF-RD, LQPSX-AC, 240V 50 HZ (FRENCH)
278-AN	DECIMATE: VT278-AJ, RT78-RD, 240V 50 HZ (USA/UK)	278-GB	DECIMATE: VT278-GD, RT78-RD, 240V 50 HZ (DUTCH)
278-AP	278-AM DECIMATE & LA28-WA, 120V 60 HZ (USA/UK)	278-GD	DECIMATE: 278-GB, LA28-WA, 240V 50 HZ (DUTCH)
278-AR	278-AM DECIMATE & LA28-WA, 240V 50 HZ (USA/UK)	278-GF	DECIMATE: 278-GB, LA20-RA, 240V 50 HZ (DUTCH)
278-AS	278-AM DECIMATE & LA20-RA, 120V 60 HZ (USA/UK)	278-GJ	DECIMATE: 278-GB, LQPSF-RD, LQPSX-AC, 240V 50 HZ (DUTCH)
278-AT	278-AM DECIMATE & LA20-RA, 240V 50 HZ (USA/UK)	278-GN	DUTCH DECIMATE: VT278-GJ, RT78-RD, 240V 50 HZ (DUTCH)
278-AU	278-AM DECIMATE & LQPSF-FA, LQPSX-AC, 120V 60 HZ (USA/UK)	278-GR	278-GN DECIMATE & LA28-WA, 240V 50 HZ (DUTCH)
278-AV	278-AM DECIMATE & LQPSF-FA, LQPSX-AC, 240V 50 HZ (USA/UK)	278-GT	278-GN DECIMATE & LA20-RA, 240V 50 HZ (DUTCH)
278-CA	FRENCH CANADIAN DECIMATE: VT278-CA, RT78-RA, 120V 60 HZ	278-GV	278-GN DECIMATE & LQPSF-RD, LQPSX-AC, 240V 50 HZ (DUTCH)
278-CC	278-CA DECIMATE & LA28-WA, 120V 60 HZ (FR/CAN)	278-JB	DECIMATE: VT278-JD, RT78-RD, 240V 50 HZ (GERMAN)
278-CE	278-CA DECIMATE & LA20-RA, 120V 60 HZ (FR/CAN)	278-JD	DECIMATE: 278-JB, LA28-WA, 240V 50 HZ (GERMAN)
278-CH	278-CA DECIMATE & LQPSF-FA, LQPSX-AC, 120V 60 HZ (FR/CAN)	278-JF	DECIMATE: 278-JB, LA20-RA, 240V 50 HZ (GERMAN)
278-CM	DECIMATE: VT278-CH, RT78-RA, 120V 60 HZ (FR/CAN)	278-JJ	DECIMATE: 278-JB, LQPSF-RD, LQPSX-AC, 240V 50 HZ (GERMAN)
278-CN	DECIMATE: VT278-CN, RT78-RA, 120V 60 HZ (FR/CAN)	278-JN	GERMAN DECIMATE: VT278-JJ, RT78-RD, 240V 50 HZ (GERMAN)
278-CP	278-CN DECIMATE & LA28-WA, 120V 60 HZ (FR/CAN)	278-JR	278-JN DECIMATE & LA28-WA, 240V 50 HZ (GERMAN)
278-CS	278-CN DECIMATE & LA20-RA, 120V 60 HZ (FR/CAN)	278-JT	278-JN DECIMATE & LA20-RA, 240V 50 HZ (GERMAN)
278-CU	278-CN DECIMATE & LQPSF-FA, LQPSX-AC, 120V 60 HZ (FR/CAN)	278-JV	278-JN DECIMATE & LQPSF-RD, LQPSX-AC, 240V 50 HZ (GERMAN)

NOTES:

CAUTION: OFF SHEET PARTS LIST EXISTS
REFER TO K-PL-278-0-067

DESCRIPTION	278 SYSTEM ARRANGEMENT
QUANTITY	1
DATE	8-00-278-0
BY	[Signature]
CHECKED	[Signature]
APPROVED	[Signature]
REVISIONS	
1	INITIAL





LINE	ITEM	DOCUMENT NUMBER	PART NUMBER	DESCRIPTION	QUANTITY PER VARIATION											
					AA	AB	AC	AD	AE	AF	AH	AJ	AM	AN	AP	AR
1	1	E-UA-VT278-0-0	VT278-AC	32KW VT278, USA/UK WORD PROCESSIN	1	-	1	-	1	-	1	-	-	-	-	-
2	2	E-UA-VT278-0-0	VT278-AD	32KW VT278, USA/UK WORD PROCESSIN	-	1	-	1	-	1	-	1	-	-	-	-
3	3	E-UA-VT278-0-0	VT278-AH	32KW VT278-AC (USA/UK) + DP278-A	-	-	-	-	-	-	-	-	1	-	1	-
4	4	E-UA-VT278-0-0	VT278-AJ	32KW VT278-AD (USA/UK) + DP278-A	-	-	-	-	-	-	-	-	-	1	-	1
5	5	E-UA-VT278-0-0	VT278-CA	*** THIS ITEM IS NOT USED ***	-	-	-	-	-	-	-	-	-	-	-	-
6	6	E-UA-VT278-0-0	VT278-CH	*** THIS ITEM IS NOT USED ***	-	-	-	-	-	-	-	-	-	-	-	-
7	7	E-UA-VT278-0-0	VT278-ED	*** THIS ITEM IS NOT USED ***	-	-	-	-	-	-	-	-	-	-	-	-
8	8	E-UA-VT278-0-0	VT278-EJ	*** THIS ITEM IS NOT USED ***	-	-	-	-	-	-	-	-	-	-	-	-
9	9	E-UA-VT278-0-0	VT278-GD	*** THIS ITEM IS NOT USED ***	-	-	-	-	-	-	-	-	-	-	-	-
10	10	E-UA-VT278-0-0	VT278-GJ	*** THIS ITEM IS NOT USED ***	-	-	-	-	-	-	-	-	-	-	-	-
11	11	E-UA-VT278-0-0	VT278-JD	*** THIS ITEM IS NOT USED ***	-	-	-	-	-	-	-	-	-	-	-	-
12	12	E-UA-VT278-0-0	VT278-JJ	*** THIS ITEM IS NOT USED ***	-	-	-	-	-	-	-	-	-	-	-	-
13	13	E-UA-RX78-0-0	ORX78-RA	RX02 MODE RX02-LA, TABLE TOP ENCL	1	-	1	-	1	-	1	-	1	-	1	-
14	14	E-UA-RX78-0-0	ORX78-RD	RX02 MODE RX02-LD, TABLE TOP ENCL	-	1	-	1	-	1	-	1	-	1	-	1
15	15	E-UA-LA34-W-0	OLA34-WA	LA34-RA, TRACTORS, PAPER SW, BC22A-	-	-	1	1	-	-	-	-	-	-	1	1
16	16	E-UA-LA120-0-0	LA120-RA	RECEIVE ONLY LA120-DA IN LA180 C	-	-	-	-	1	1	-	-	-	-	-	-
17	17	K-PL-LQPSE-F-0	LQPSE-FA	DIABLO 1345A PRINTER, PS, GREY STA	-	-	-	-	-	-	1	-	-	-	-	-
18	18	K-PL-LQPSE-F-0	LQPSE-FD	DIABLO 1345A PRINTER, PS, GREY STA	-	-	-	-	-	-	-	1	-	-	-	-
19	19	E-UA-LQPXX-AC-0	LQPXX-AC	DUAL TRAY SINGLE SHEET FEEDER, 8.	-	-	-	-	-	-	1	1	-	-	-	-
20	20	E-UA-M8437-0-0	M8437-DD	COMMUNICATIONS ADAPTER, 2 LSI + 3	REF	REF	REF	REF	REF	REF	REF	REF	REF	REF	REF	REF
21	21	E-UA-M8439-0-0	M8439-DD	RL01/02 DISK CONTROL, QUAD (RL278	REF	REF	REF	REF	REF	REF	REF	REF	REF	REF	REF	REF
22	22		ORX78-RE	RX78-RA + SHORT AC CORD & QUAD F	REF	REF	REF	REF	REF	REF	REF	REF	REF	REF	REF	REF
23	23		ORX78-RJ	RX78-RD + SHORT AC CORD & QUAD F	REF	REF	REF	REF	REF	REF	REF	REF	REF	REF	REF	REF
24	24		ORX78-RH	RX78-RC + SHORT AC CORD & QUAD F	REF	REF	REF	REF	REF	REF	REF	REF	REF	REF	REF	REF
25	25		OH978-CA	H978-A W AC RECEPTACLE STRIP, DOU	REF	REF	REF	REF	REF	REF	REF	REF	REF	REF	REF	REF
26	26		OH978-CB	H978-CA EXCEPT 240V	REF	REF	REF	REF	REF	REF	REF	REF	REF	REF	REF	REF
27	27		OH978-AE	H978-AA + 2 SHORT AC CABLES, 1 S	REF	REF	REF	REF	REF	REF	REF	REF	REF	REF	REF	REF

REVISION HISTORY		BASIC PART NO: 00278		DRN: L. GRAHAM		DATE: 24-JUN-81		D I G I T A L			
ENG!	ECO NUMBER	REV	SECTION A OF D	CHK'D: D. HEALY		DATE: 24-JUN-81		TITLE PARTS LIST			
---	INITIAL	A	SECTION. VARIATION INDEX:	DES.ENG.: AL DELUCA		DATE: 24-JUN-81		278 SYSTEM ARRANGEMENT			
			(A) AA, AB, AC, AD, AE, AF, AH, AJ, AM, AN, AP, AR	RESP.ENG.: R. KIZINA		DATE: 24-JUN-81		DOCUMENT NUMBER			
			(B) AS, AT, AU, AV, CA, CC, CE, CH, CM, CP, CS, CU	MFG.ENG.: B. DAVILLI		DATE: 24-JUN-81		K	PL	278-0-DBP	A
			(C) EB, ED, EF, EJ, EN, ER, ET, EV, GB, GD, GF, GJ	ASSEMBLY NUMBER:		TOP DOCUMENT NUMBER:		FILE NAME:		EDIT #	
			(D) GN, GR, GT, GV, JB, JD, JF, JJ, JN, JR, JT, JV	E-AR-278-0-0		#B-DD-278-0		22545A.PLS		9	
<p>"THIS DRAWING AND SPECIFICATIONS HEREIN, ARE THE PROPERTY OF DIGITAL EQUIPMENT CORPORATION AND SHALL NOT BE REPRODUCED OR COPIED OR USED IN WHOLE OR IN PART AS THE BASIS FOR THE MANUFACTURE OR SALE OF ITEMS WITHOUT WRITTEN PERMISSION. COPYRIGHT (C) 1981. DIGITAL EQUIPMENT CORPORATION"</p>											

LINE ITEM DOCUMENT NUMBER

PART NUMBER

DESCRIPTION

QUANTITY PER VARIATION

AA AB AC AD AE AF AH AJ AM AN AP AR

28 NOTE: LINES #20 THRU #27 ARE OPTIONS ONLY.

D	I	G	I	T	A	L	TITLE	278 SYSTEM ARRANGEMENT	SECTION A OF D	SIZE	CODE	DOCUMENT NUMBER	REV
										K	PL	278-0-DBP	A

LINE	ITEM	DOCUMENT NUMBER	PART NUMBER	DESCRIPTION	QUANTITY PER VARIATION												
					AS	AT	AU	AV	CA	CC	CE	CH	CM	CP	CS	CU	
1	1	E-UA-VT278-0-0	VT278-AC	*** THIS ITEM IS NOT USED ***	-	-	-	-	-	-	-	-	-	-	-	-	-
2	2	E-UA-VT278-0-0	VT278-AD	*** THIS ITEM IS NOT USED ***	-	-	-	-	-	-	-	-	-	-	-	-	-
3	3	E-UA-VT278-0-0	VT278-AH	32KW VT278-AC (USA/UK) + DP278-A	1	-	1	-	-	-	-	-	-	-	-	-	-
4	4	E-UA-VT278-0-0	VT278-AJ	32KW VT278-AD (USA/UK) + DP278-A	-	1	-	1	-	-	-	-	-	-	-	-	-
5	5	E-UA-VT278-0-0	VT278-CA	16KW VT278, FRENCH-CANADIAN WORD	-	-	-	-	1	1	1	1	-	-	-	-	-
6	6	E-UA-VT278-0-0	VT278-CH	32KW VT278-CC (FRENCH-CANADIAN)	-	-	-	-	-	-	-	-	1	1	1	1	1
7	7	E-UA-VT278-0-0	VT278-ED	*** THIS ITEM IS NOT USED ***	-	-	-	-	-	-	-	-	-	-	-	-	-
8	8	E-UA-VT278-0-0	VT278-EJ	*** THIS ITEM IS NOT USED ***	-	-	-	-	-	-	-	-	-	-	-	-	-
9	9	E-UA-VT278-0-0	VT278-GD	*** THIS ITEM IS NOT USED ***	-	-	-	-	-	-	-	-	-	-	-	-	-
10	10	E-UA-VT278-0-0	VT278-GJ	*** THIS ITEM IS NOT USED ***	-	-	-	-	-	-	-	-	-	-	-	-	-
11	11	E-UA-VT278-0-0	VT278-JD	*** THIS ITEM IS NOT USED ***	-	-	-	-	-	-	-	-	-	-	-	-	-
12	12	E-UA-VT278-0-0	VT278-JJ	*** THIS ITEM IS NOT USED ***	-	-	-	-	-	-	-	-	-	-	-	-	-
13	13	E-UA-RX78-0-0	ORX78-RA	RX02 MODE RX02-LA, TABLE TOP ENCL	1	-	1	-	1	1	1	1	1	1	1	1	1
14	14	E-UA-RX78-0-0	ORX78-RD	RX02 MODE RX02-LD, TABLE TOP ENCL	-	1	-	1	-	-	-	-	-	-	-	-	-
15	15	E-UA-LA34-W-0	OLA34-WA	LA34-RA, TRACTORS, PAPER SW, BC22A-	-	-	-	-	-	1	-	-	-	1	-	-	-
16	16	E-UA-LA120-0-0	LA120-RA	RECEIVE ONLY LA120-DA IN LA180 C	1	1	-	-	-	1	-	-	-	-	1	-	-
17	17	K-PL-LQPSE-F-0	LQPSE-FA	DIABLO 1345A PRINTER, PS, GREY STA	-	-	1	-	-	-	-	1	-	-	-	-	1
18	18	K-PL-LQPSE-F-0	LQPSE-FD	DIABLO 1345A PRINTER, PS, GREY STA	-	-	-	1	-	-	-	-	-	-	-	-	-
19	19	E-UA-LQPXX-AC-0	LQPXX-AC	DUAL TRAY SINGLE SHEET FEEDER, 8.	-	-	1	1	-	-	-	1	-	-	-	-	1
20	20	E-UA-M8437-0-0	M8437-00	COMMUNICATIONS ADAPTER, 2 LSI + 3	REF	REF	REF	REF	REF	REF	REF	REF	REF	REF	REF	REF	REF
21	21	E-UA-M8439-0-0	M8439-00	RLO1/02 DISK CONTROL, QUAD (RL278	REF	REF	REF	REF	REF	REF	REF	REF	REF	REF	REF	REF	REF
22	22		ORX78-RE	RX78-RA + SHORT AC CORD & QUAD F	REF	REF	REF	REF	REF	REF	REF	REF	REF	REF	REF	REF	REF
23	23		ORX78-RJ	RX78-RD + SHORT AC CORD & QUAD F	REF	REF	REF	REF	REF	REF	REF	REF	REF	REF	REF	REF	REF
24	24		ORX78-RH	RX78-RC + SHORT AC CORD & QUAD F	REF	REF	REF	REF	REF	REF	REF	REF	REF	REF	REF	REF	REF
25	25		OH978-CA	H978-A W AC RECEPTACLE STRIP, DOU	REF	REF	REF	REF	REF	REF	REF	REF	REF	REF	REF	REF	REF
26	26		OH978-CB	H978-CA EXCEPT 240V	REF	REF	REF	REF	REF	REF	REF	REF	REF	REF	REF	REF	REF
27	27		CH978-AE	H978-AA + 2 SHORT AC CABLES, 1 S	REF	REF	REF	REF	REF	REF	REF	REF	REF	REF	REF	REF	REF

REVISION HISTORY		BASIC PART NO: 00278		DRN: L. GRAHAM		DATE: 24-JUN-81		D I G I T A L			
ENG	ECO NUMBER	REV	SECTION B OF D	CHK'D: D. HEALY		DATE: 24-JUN-81		TITLE PARTS LIST			
	INITIAL	A	SECTION. VARIATION INDEX	DES.ENG.: AL DELUCA		DATE: 24-JUN-81		DOCUMENT NUMBER			
			[A] AA, AB, AC, AD, AE, AF, AH, AJ, AM, AN, AP, AR	RESP.ENG.: R. KIZINA		DATE: 24-JUN-81		SIZE! CODE! NUMBER REV			
			[B] AS, AT, AU, AV, CA, CC, CE, CH, CM, CP, CS, CU	MFG.ENG.: B. DAVILLI		DATE: 24-JUN-81		K PL 278-0-DBP A			
			[C] EB, ED, EF, EJ, EN, ER, ET, EV, GB, GD, GF, GJ	ASSEMBLY NUMBER:		TOP DOCUMENT NUMBER:		FILE NAME: EDIT #			
			[D] GN, GR, GT, GV, JB, JD, JF, JJ, JN, JR, JT, JV	E-AR-278-0-0		#B-DD-278-0		22545A.PLS 9			
<p>"THIS DRAWING AND SPECIFICATIONS HEREIN, ARE THE PROPERTY OF DIGITAL EQUIPMENT CORPORATION AND SHALL NOT BE REPRODUCED OR COPIED OR USED IN WHOLE OR IN PART AS THE BASIS FOR THE MANUFACTURE OR SALE OF ITEMS WITHOUT WRITTEN PERMISSION. COPYRIGHT (C) 1981. DIGITAL EQUIPMENT CORPORATION"</p>											

LINE ITEM DOCUMENT NUMBER

PART NUMBER

DESCRIPTION

QUANTITY PER VARIATION

AS AT AU AV CA CC CE CH CM CP CS CU

28 NOTE: LINES #20 THRU #27 ARE OPTIONS ONLY.

D	I	G	I	T	A	L	TITLE	SECTION B OF D	SIZE	CODE	DOCUMENT NUMBER	REV
							278 SYSTEM ARRANGEMENT		K	PL	278-D-DBP	A

LINE ITEM	DOCUMENT NUMBER	PART NUMBER	DESCRIPTION	QUANTITY PER VARIATION									
				EB	ED	EF	EJ	EN	ER	ET	EV	GB	GD

28 NOTE: LINES #20 THRU #27 ARE OPTIONS ONLY.

D	I	G	I	T	A	L	TITLE	SECTION C OF D	SIZE	CODE	DOCUMENT NUMBER	REV
							278 SYSTEM ARRANGEMENT		K	PL	278-0-DBP	A

LINE	ITEM	DOCUMENT NUMBER	PART NUMBER	DESCRIPTION	QUANTITY PER VARIATION												
					GN	GR	GT	GV	JB	JD	JF	JJ	JN	JR	JT	JV	
1	1	E-UA-VT278-0-0	VT278-AC	*** THIS ITEM IS NOT USED ***	-	-	-	-	-	-	-	-	-	-	-	-	-
2	2	E-UA-VT278-0-0	VT278-AD	*** THIS ITEM IS NOT USED ***	-	-	-	-	-	-	-	-	-	-	-	-	-
3	3	E-UA-VT278-0-0	VT278-AH	*** THIS ITEM IS NOT USED ***	-	-	-	-	-	-	-	-	-	-	-	-	-
4	4	E-UA-VT278-0-0	VT278-AJ	*** THIS ITEM IS NOT USED ***	-	-	-	-	-	-	-	-	-	-	-	-	-
5	5	E-UA-VT278-0-0	VT278-CA	*** THIS ITEM IS NOT USED ***	-	-	-	-	-	-	-	-	-	-	-	-	-
6	6	E-UA-VT278-0-0	VT278-CH	*** THIS ITEM IS NOT USED ***	-	-	-	-	-	-	-	-	-	-	-	-	-
7	7	E-UA-VT278-0-0	VT278-ED	*** THIS ITEM IS NOT USED ***	-	-	-	-	-	-	-	-	-	-	-	-	-
8	8	E-UA-VT278-0-0	VT278-EJ	*** THIS ITEM IS NOT USED ***	-	-	-	-	-	-	-	-	-	-	-	-	-
9	9	E-UA-VT278-0-0	VT278-GD	*** THIS ITEM IS NOT USED ***	-	-	-	-	-	-	-	-	-	-	-	-	-
10	10	E-UA-VT278-0-0	VT278-GJ	32KW VT278-GD (DUTCH) + DP278-AA	1	1	1	1	-	-	-	-	-	-	-	-	-
11	11	E-UA-VT278-0-0	VT278-JD	32KW VT278, GERMAN WORD PROCESSIN	-	-	-	-	1	1	1	1	-	-	-	-	-
12	12	E-UA-VT278-0-0	VT278-JJ	32KW VT278-JD (GERMAN) + DP278-A	-	-	-	-	-	-	-	-	1	1	1	1	1
13	13	E-UA-RX78-0-0	ORX78-RA	*** THIS ITEM IS NOT USED ***	-	-	-	-	-	-	-	-	-	-	-	-	-
14	14	E-UA-RX78-0-0	ORX78-RD	RX02 MODE RX02-LD, TABLE TOP ENCL	1	1	1	1	1	1	1	1	1	1	1	1	1
15	15	E-UA-LA34-W-0	OLA34-WA	LA34-RA, TRACTORS, PAPER SW, BC22A-	-	1	-	-	-	1	-	-	-	1	-	-	-
16	16	E-UA-LA120-0-0	LA120-RA	RECEIVE ONLY LA120-DA IN LA180 C	-	-	1	-	-	-	1	-	-	-	1	-	-
17	17	K-PL-LQPSE-F-0	LQPSE-FA	*** THIS ITEM IS NOT USED ***	-	-	-	-	-	-	-	-	-	-	-	-	-
18	18	K-PL-LQPSE-F-0	LQPSE-FD	DIABLO 1345A PRINTER, PS, GREY STA	-	-	-	1	-	-	-	1	-	-	-	-	1
19	19	E-UA-LQPXX-AC-0	LQPXX-AC	DUAL TRAY SINGLE SHEET FEEDER, 8.	-	-	-	1	-	-	-	1	-	-	-	-	1
20	20	E-UA-M8437-0-0	M8437-00	COMMUNICATIONS ADAPTER, 2 LSI + 3	REF	REF	REF	REF	REF	REF	REF	REF	REF	REF	REF	REF	REF
21	21	E-UA-M8439-0-0	M8439-00	RLO1/02 DISK CONTROL, QUAD (RL278	REF	REF	REF	REF	REF	REF	REF	REF	REF	REF	REF	REF	REF
22	22		ORX78-RE	RX78-RA + SHORT AC CORD & QUAD F	REF	REF	REF	REF	REF	REF	REF	REF	REF	REF	REF	REF	REF
23	23		ORX78-RJ	RX78-RD + SHORT AC CORD & QUAD F	REF	REF	REF	REF	REF	REF	REF	REF	REF	REF	REF	REF	REF
24	24		ORX78-RH	RX78-RC + SHORT AC CORD & QUAD F	REF	REF	REF	REF	REF	REF	REF	REF	REF	REF	REF	REF	REF
25	25		OH978-CA	H978-A W AC RECEPTACLE STRIP, DOU	REF	REF	REF	REF	REF	REF	REF	REF	REF	REF	REF	REF	REF
26	26		OH978-CB	H978-CA EXCEPT 240V	REF	REF	REF	REF	REF	REF	REF	REF	REF	REF	REF	REF	REF
27	27		OH978-AE	H978-AA + 2 SHORT AC CABLES, 1 S	REF	REF	REF	REF	REF	REF	REF	REF	REF	REF	REF	REF	REF

REVISION HISTORY		BASIC PART NO: 00278		DRN: L. GRAHAM		DATE: 24-JUN-81		D I G I T A L			
ENG:	ECO NUMBER	REV	SECTION D OF D	CHK'D: D. HEALY	DATE: 24-JUN-81	TITLE PARTS LIST					
---	INITIAL	A	SECTION. VARIATION INDEX	DES.ENG.: AL DELUCA	DATE: 24-JUN-81	DOCUMENT NUMBER					
			[A] AA, AB, AC, AD, AE, AF, AH, AJ, AM, AN, AP, AR,	RESP.ENG.: R. KIZINA	DATE: 24-JUN-81	SIZE	CODE	NUMBER	REV		
			[B] AS, AT, AU, AV, CA, CC, CE, CH, CM, CP, CS, CU	MFG.ENG.: B. DAVILLI	DATE: 24-JUN-81	K	PL	278-0-DBP	A		
			[C] EB, ED, EF, EJ, EN, ER, ET, EV, GB, GD, GF, GJ	ASSEMBLY NUMBER:	TOP DOCUMENT NUMBER:	FILE NAME:		EDIT #			
			[D] GN, GR, GT, GV, JB, JD, JF, JJ, JN, JR, JT, JV	E-AR-278-0-0	#B-DD-278-0	Z2545A.PLS		9			

"THIS DRAWING AND SPECIFICATIONS HEREIN, ARE THE PROPERTY OF DIGITAL EQUIPMENT CORPORATION AND SHALL NOT BE REPRODUCED OR COPIED OR USED IN WHOLE OR IN PART AS THE BASIS FOR THE MANUFACTURE OR SALE OF ITEMS WITHOUT WRITTEN PERMISSION. COPYRIGHT (C) 1981. DIGITAL EQUIPMENT CORPORATION"

LINE ITEM	DOCUMENT NUMBER	PART NUMBER	DESCRIPTION	QUANTITY PER VARIATION											
				GN	GR	GT	GV	JB	JD	JF	JJ	JN	JP	JT	JV

28 NOTE: LINES #20 THRU #27 ARE OPTIONS ONLY.

D	I	G	I	T	A	L	TITLE	278 SYSTEM ARRANGEMENT	SECTION D OF D	SIZE	CODE	DOCUMENT NUMBER	REV
										K	PL	278-0-DBP	A

LINE ITEM	DOCUMENT NUMBER	PART NUMBER	DESCRIPTION	QUANTITY PER VARIATION	
				FA	FD
1	D-UA-LQP78-0-0	LQP78-FA	LQP01-A 70-13895 115VAC	1	-
2	D-UA-LQP78-0-0	LQP78-FD	LQP01-H BC80F-25 230VAC 50HZ	-	1
3	K-PL-LQPXX-C-0	LQPXX-CS	SERIAL CONT FOR LQPSE-FA TO -FD,	1	1
4	D-IA-BC03M-0-0	BC03M-25	*** THIS ITEM IS NOT USED ***	-	-

5 NOTE: LQP78-0-0 TO BE MODIFIED BY REMOVING BC80F-25 CABLE.
 6 NOTE: (THIS CABLE IS NO LONGER NEEDED IN SERIAL VERSION).

REVISION HISTORY		BASIC PART NO: LQPSE		DRN: D.ZWICKER	DATE: 15-SEP-80	DBP: D I G I T A I L	
ENG	ECO NUMBER	REV	SECTION A OF A	CHK'D: D.ZWICKER	DATE: 15-SEP-80	TITLE PARTS LIST	
---	INITIAL	A	SECTION, VARIATION INDEX	DES.ENG.: J.ANDREWS	DATE: 15-SEP-80	SERIAL CONTROL OPTION, LQP01	
JA	LQPSE-F-MK001	B	[A] FA,FD	RESP.ENG.: J.ANDREWS	DATE: 15-SEP-80	DOCUMENT NUMBER	
JC	LQPSE-F-MK002	C	[B]	MFG.ENG.: B.PORTER	DATE:	SIZE	CODE
			[C]	ASSEMBLY NUMBER:	TOP DOCUMENT NUMBER:	NUMBER	REV
			[D]		#B-DD-LQPSE-F	K	PL
			[E]			LQPSE-F-0	C
			[F]			FILE NAME:	EDIT #
						MK0114.PLS	7

*THIS DRAWING AND SPECIFICATIONS HEREIN, ARE THE PROPERTY OF DIGITAL EQUIPMENT CORPORATION AND SHALL NOT BE REPRODUCED OR COPIED OR USED IN WHOLE OR IN PART AS THE BASIS FOR THE MANUFACTURE OR SALE OF ITEMS WITHOUT WRITTEN PERMISSION. COPYRIGHT (C) 1981, DIGITAL EQUIPMENT CORPORATION *

MK

