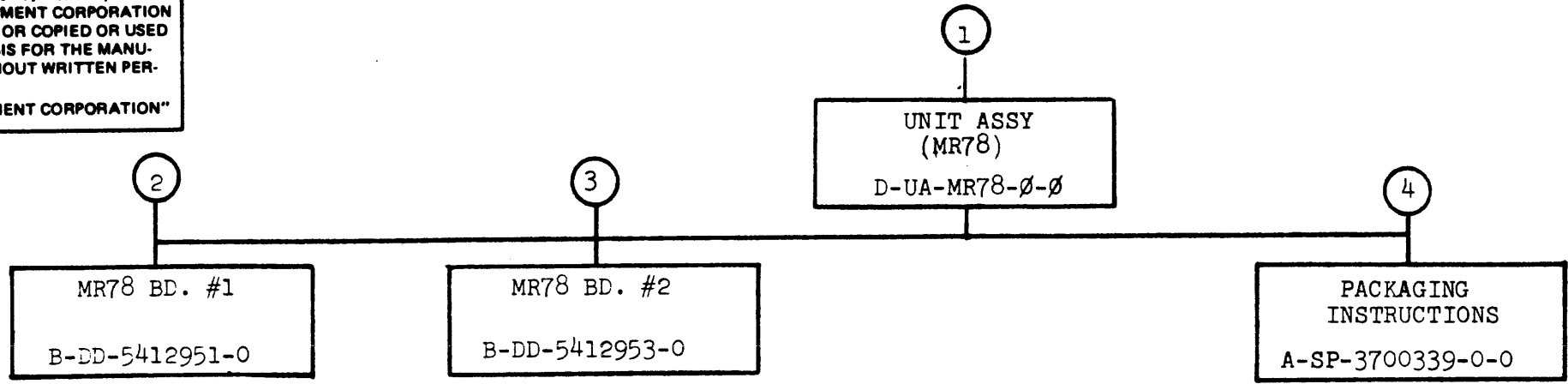
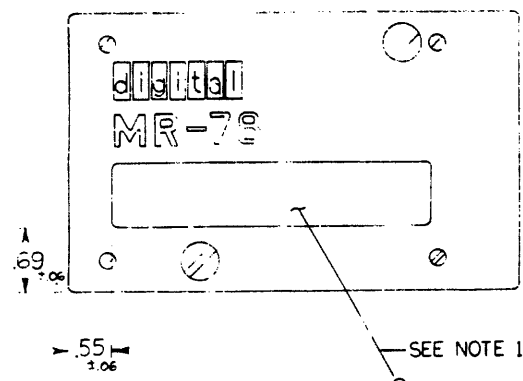


"THIS DRAWING AND SPECIFICATIONS, HEREIN, ARE THE PROPERTY OF DIGITAL EQUIPMENT CORPORATION AND SHALL NOT BE REPRODUCED OR COPIED OR USED IN WHOLE OR IN PART AS THE BASIS FOR THE MANUFACTURE OR SALE OF ITEMS WITHOUT WRITTEN PERMISSION. 1977
 COPYRIGHT © DIGITAL EQUIPMENT CORPORATION"

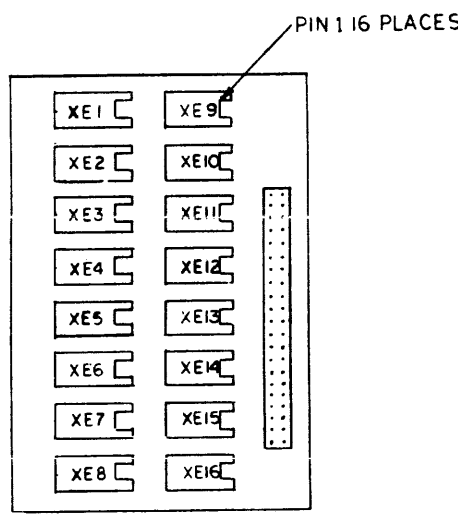


NOTES:
 1. LABEL TO BE MARKED WITH MODEL NO. PER C-PL-MR78-0-0
 2. ON EARLY REVISION 5412953, W5 IS NOT PRESENT.

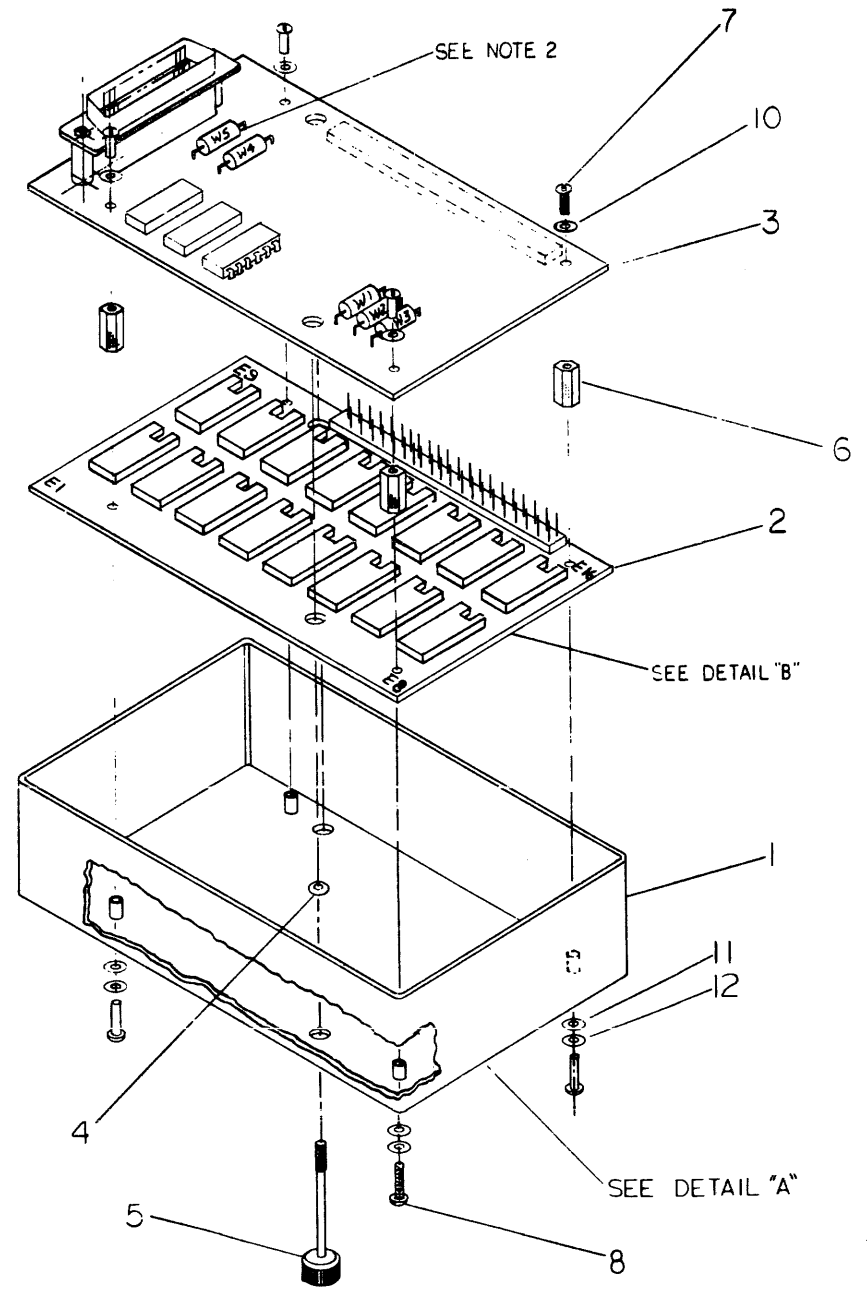
THIS DRAWING AND SPECIFICATIONS, HEREIN, ARE THE PROPERTY OF DIGITAL EQUIPMENT CORPORATION AND SHALL NOT BE REPRODUCED OR COPIED OR USED IN WHOLE OR IN PART AS THE BASIS FOR THE MANUFACTURE OR SALE OF THIS WITHOUT WRITTEN PERMISSION.
 COPYRIGHT © 1971, DIGITAL EQUIPMENT CORPORATION



DETAIL "A"



DETAIL "B"
 SCALE: NONE



FOR PARTS LIST SEE C-PL-MR78-0-0

QUANTITY & VARIATION		DESCRIPTION	DWG./PART NO.	ITEM NO.
UNLESS OTHERWISE SPECIFIED DIMENSIONS ARE IN INCHES				
ANGLES 30° 30'	CLASS OF ACCURACY	NOMINAL DIMENSION RANGE INCHES		
SURFACE QUALITY IN	(CHECK ONE)	OVER 0 TO 0.2	OVER 0.2 TO 1.2	OVER 1.2 TO 4.0
MEDIUM	<input checked="" type="checkbox"/>	±.008	±.012	±.016
PREFERRED	<input type="checkbox"/>	±.012	±.016	±.025
THIRD ANGLE PROJECTION		DRN. P. Cusick 7-5-77	FIRST USED ON	
REMOVE BURRS AND BREAK SHARP CORNERS		CHKD B. B. B. 8/14/77	MR 78	
DO NOT SCALE DWG		ENG. J. H. 10/16/77	TITLE	
MATERIAL		PROD. M.E. MANUFACTURING 2/14/77	MR 78	
SEE PARTS LIST		NEXT HIGHER ASSY.		SIZE CODE
FINISH N/A		SCALE NONE		D UA MR 78-0-0
		SHEET 1 OF 1		REV. A
		DIST.		MK 1

REV.	CHANGE NO.	DATE	BY	APP.
A	00001		P. GARDNER	

COMPONENT SIDE VIEW

THIS DRAWING AND INFORMATION HEREON ARE THE PROPERTY OF MILITARY ELECTRONIC CORPORATION AND SHALL NOT BE DISCLOSED OR REPRODUCED IN ANY MANNER OR BY ANY MEANS WITHOUT THE WRITTEN PERMISSION OF MILITARY ELECTRONIC CORPORATION



NOTES: 1. J2 MOUNTED ON SIDE 2
 2. INSTALL W4 & W5 AT ASSEMBLY.
 3. FOR W1, W2 & W3 SEE DWG. D-UA-MR78-0

CHANGE NO	REV	
ML00313A		
J. CARTER		
J. KIRK		

ETCH REV. C-P2
P.C. DESIGN DATA BASE REV. C

SIGNATURES		DATE	digital
DRN. J. CARTER		5 DEC 77	
CHK'D. J. KIRK		7 DEC 77	TITLE MR78 BD#1
ENG. J. KIRK		8 JAN 79	
PROJ. ENG. J. KIRK		8 JAN 79	
PROD. J. KIRK		8 JAN 79	
SCALE 2/1	SIZE CODE	NUMBER	REV
SHT. 1 OF 3	D UA 5412953-0-0	D	D
NEXT HIGHER ASSY. B-DD-5412953-0			

8

7

6

5

4

3

D UA 5412953-0-0 2

1

©1978

D

D

C

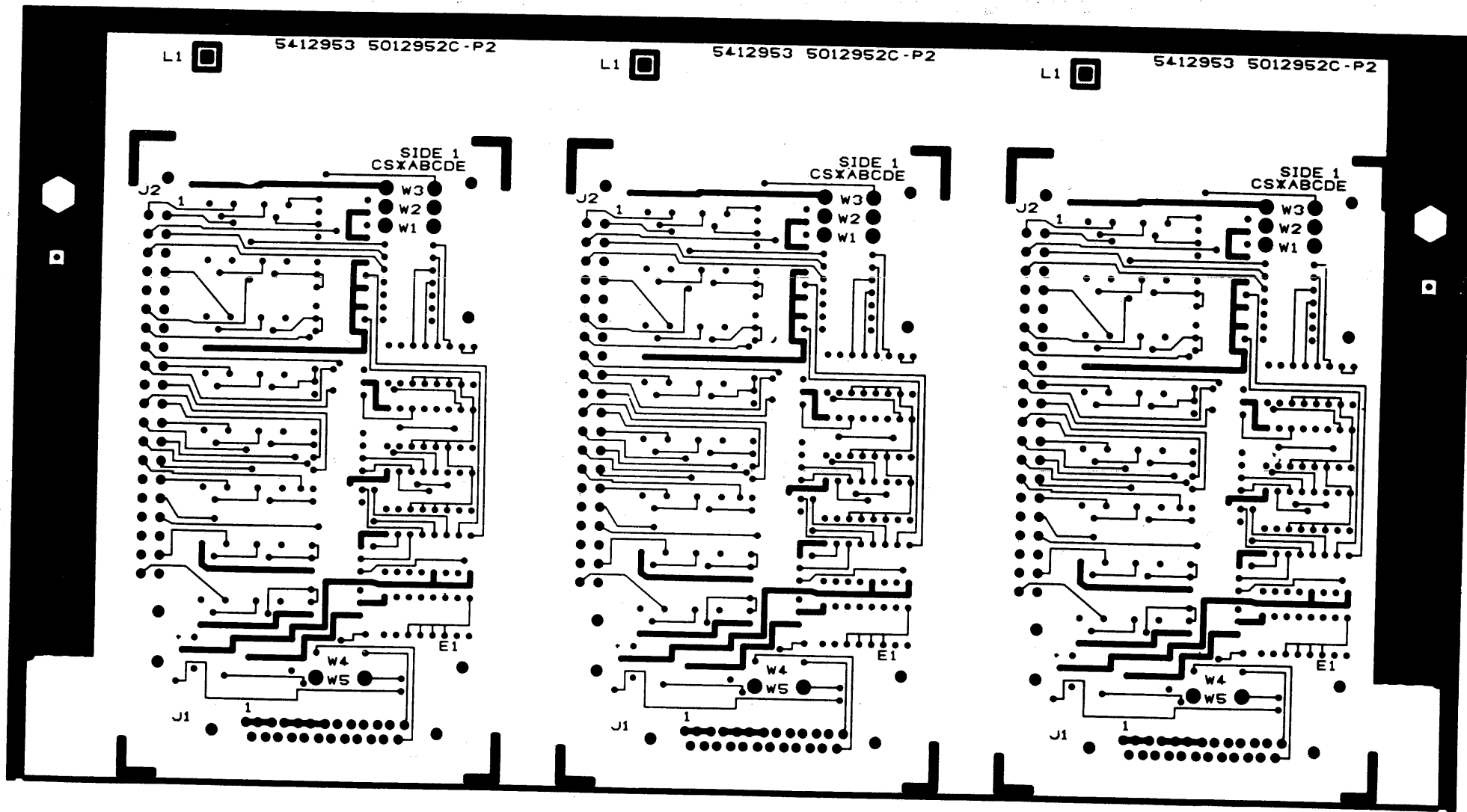
C

B

B

A

A



D UA 5412953-0-0

B

A

8

7

6

5

4

3

2

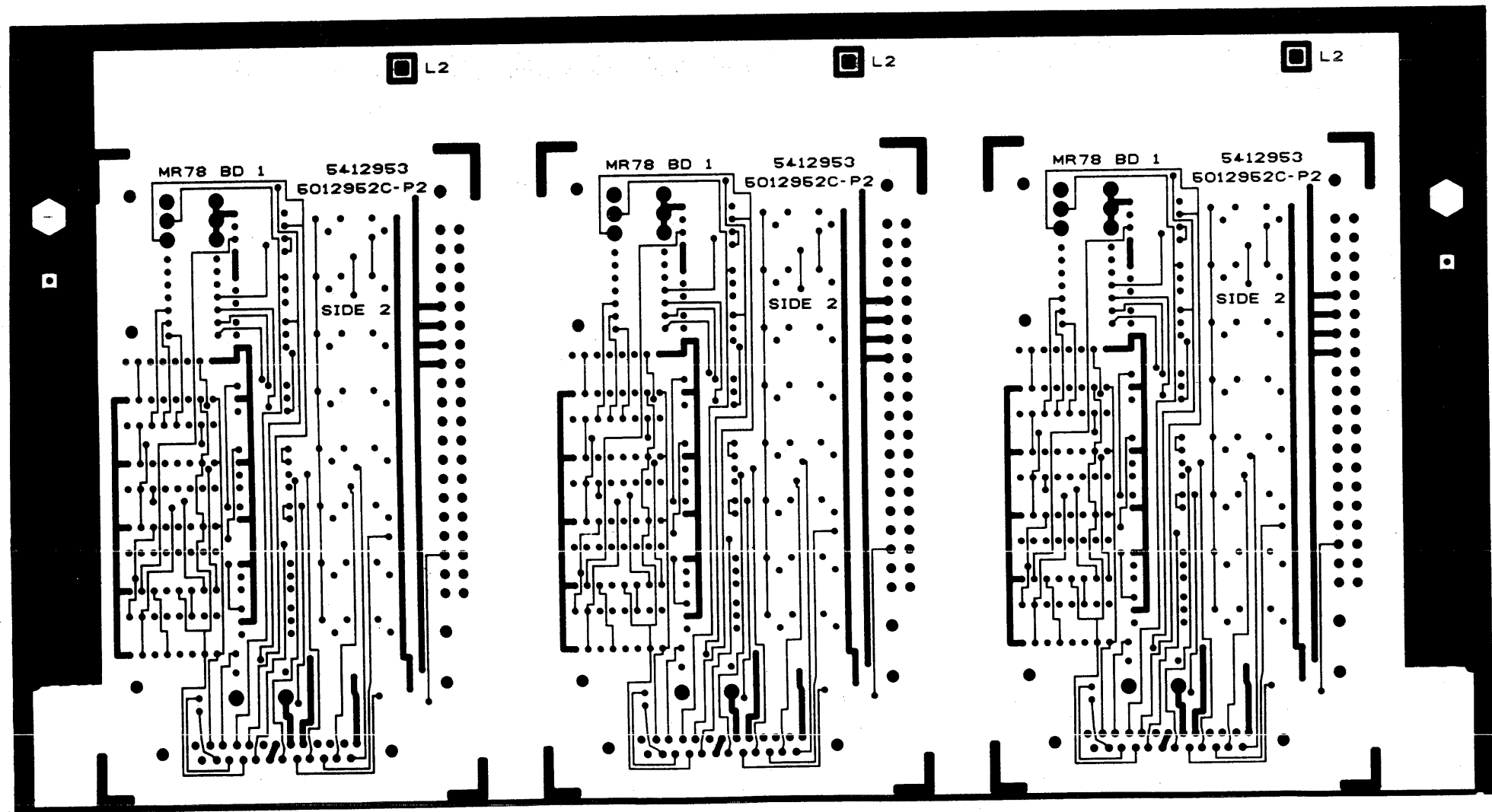
1

MR78 BD #1		D UA 5412953-0-0		D
2/1	2	3	DIST	

219

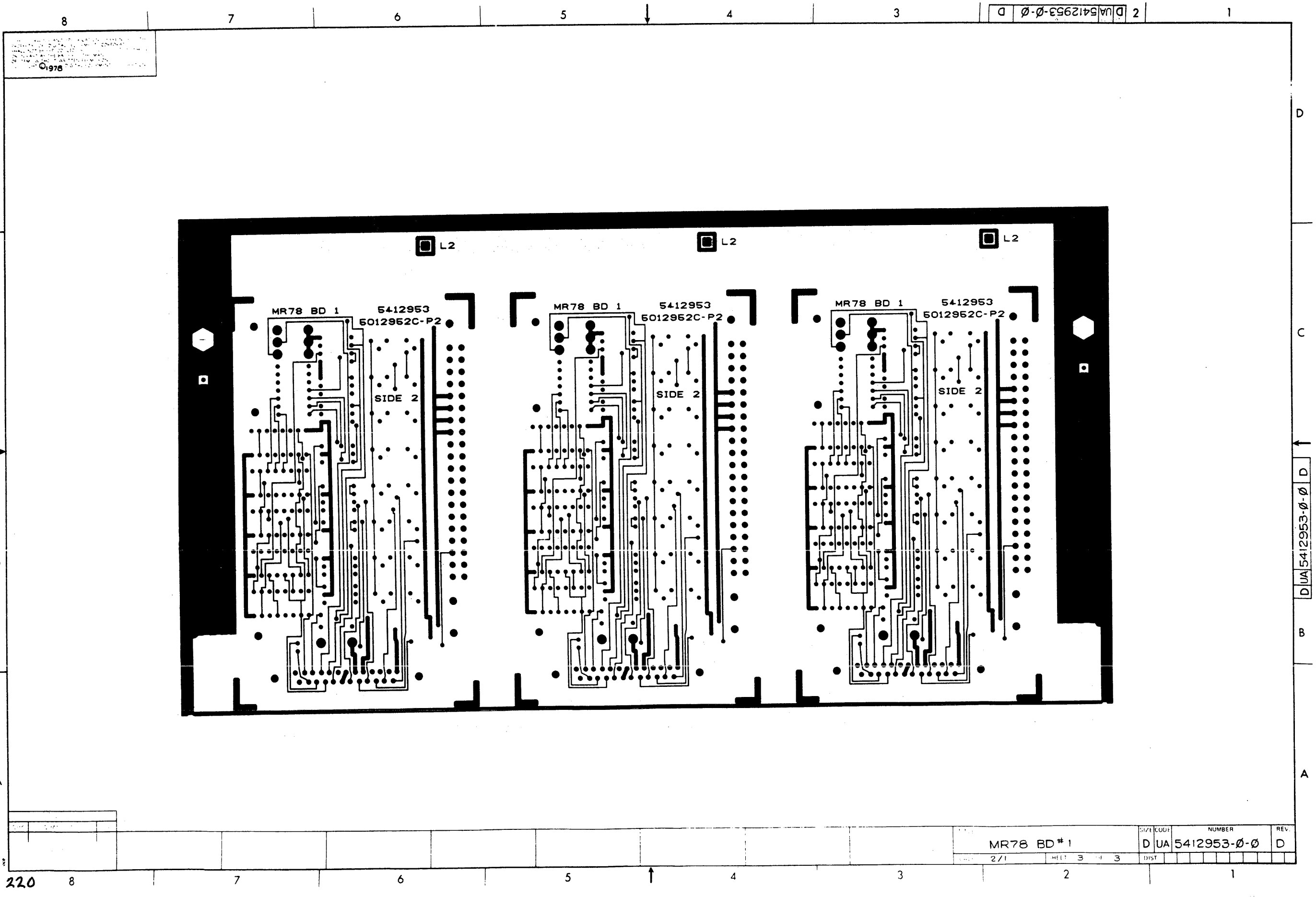
D UA 5412953-0-0 2

1978



MR78 BD #1		SIZE	CODE	NUMBER	REV.
2/1	HEET 3 OF 3	D	UA	5412953-0-0	D
		DIST			

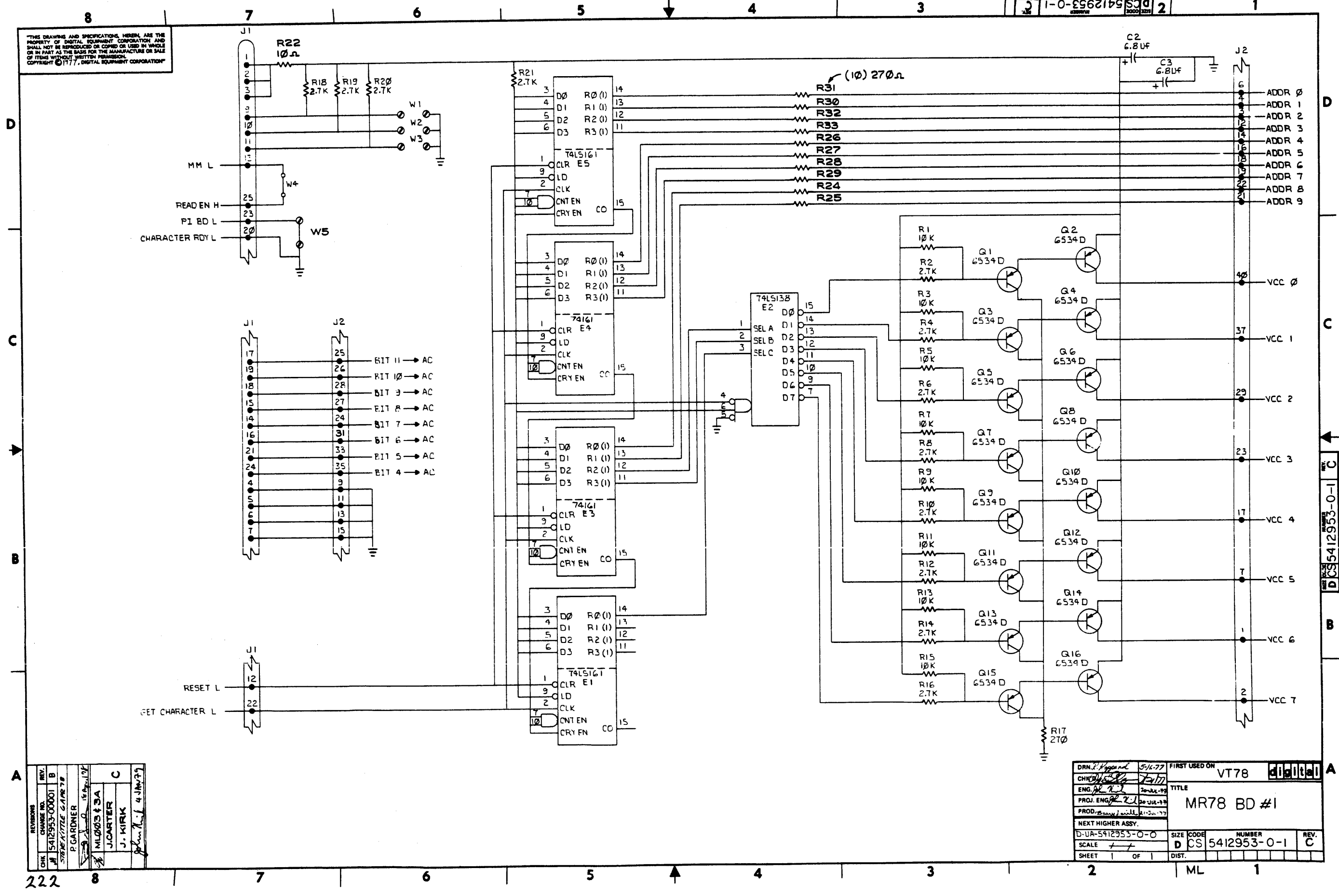
220 8



LINE ITEM	DOCUMENT NUMBER	PART NUMBER	DESCRIPTION	QTY	REFERENCE DESIGNATOR
1	D-MD-5012952-0-0	5012952-00	5412953	1	
2		1005306-00	6.8MFD 35V 10% S.TANT	2	C2,C3
3		1211352-02	CONN,D SUB 25PIN SOCKET PC MNT	1	J1
4		1214060-00	HEADER.150 40POS	1	J2
5		1301972-00	270 1/4W 5% CC	11	R17,R24-R33
6		1300426-00	2.7 K 1/4W 5% CC	12	R2,R4,R6,R8,R10,R12,R14,R16,R18-R21
7		1300479-00	10 K 1/4W 5% CC	8	R1,R3,R5,R7,R9,R11,R13,R15
8		1503409-00	DEC6534D PNP 310MW SI 40 90	16	Q1-Q16
9		9105740-55	*** THIS ITEM IS NOT USED ***	-	
10		1912842-00	LS138 DECODER-THREE INPUT,	1	E2
11		1912849-00	LS161 COUNTER,SYNCHR,4BIT	4	E1,E3,E4,E5
12		9006735-00	EYELET, FUNNEL FLANGE, .059 OD X	8	
13		9006407-05	SCREW, NYLON, SLTD ROUND HD, 4-4	4	
14		9009306-00	SPACER, FIBER, HEX, 4-40, .250 X	2	
15		1301317-00	10 1/4W 5% CC	1	R22
16		9107560-01	WIRE,BUSS,22AWG	2	W4,W5

REVISION HISTORY		BASIC PART NO: 5412953		DRN:	R. KOPPENAL	DATE:	14-AUG-78	DIGITAL			
ENG!	ECO NUMBER	REV	SECTION 1 OF 1	CHK'D:	K. S.	DATE:	14-AUG-78	TITLE PARTS LIST			
BHF!	00002	C	SECTION VARIATION INDEX	DES.ENG:	JOHN KIRK	DATE:	14-AUG-78	MR78 BD #1			
C.L!	5412953-ML003	D	[1] 00	RESP.ENG.:	JOHN KIRK	DATE:	14-AUG-78	DOCUMENT NUMBER			
			[2]	MFG.ENG.:	BARRY DAVILLI	DATE:	14-AUG-78	SIZE!	CODE!	NUMBER	REV
			[3]	ASSEMBLY NUMBER:				K	PL	5412953-0-DBP	D
			[4]	D-UA-5412953-0-0						FILE NAME:	EDIT #!
			[5]							12953D.PLS	7
			[6]	*THIS DRAWING AND SPECIFICATIONS HEREIN, ARE THE PROPERTY OF DIGITAL EQUIPMENT CORPORATION AND SHALL NOT BE REPRODUCED OR COPIED OR USED IN WHOLE OR IN PART AS THE BASIS FOR THE MANUFACTURE OR SALE OF ITEMS WITHOUT WRITTEN PERMISSION. COPYRIGHT (C) 1979. DIGITAL EQUIPMENT CORPORATION *							
			[7]								
			[8]								
			[9]								
			[10]								
			[11]								
			[12]								

THIS DRAWING AND SPECIFICATIONS HEREIN ARE THE PROPERTY OF DIGITAL EQUIPMENT CORPORATION AND SHALL NOT BE REPRODUCED OR COPIED OR USED IN WHOLE OR IN PART AS THE BASIS FOR THE MANUFACTURE OR SALE OF ITEMS WITHOUT WRITTEN PERMISSION. COPYRIGHT © 1977, DIGITAL EQUIPMENT CORPORATION

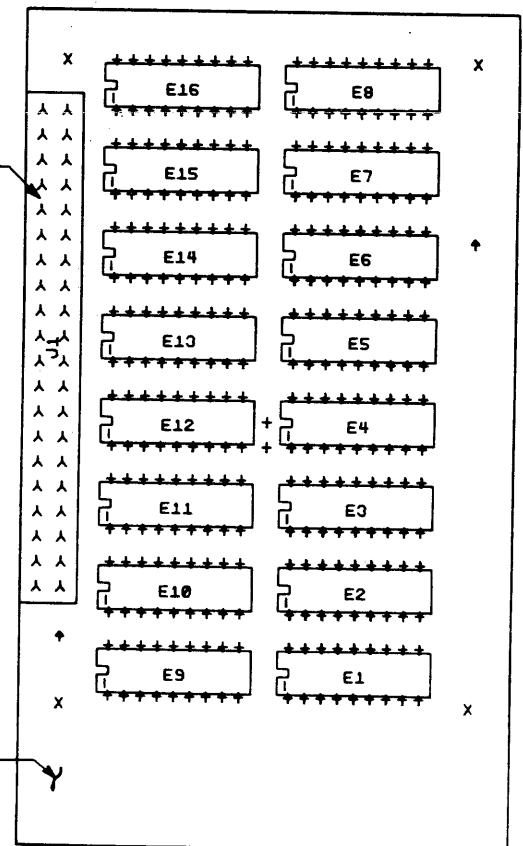
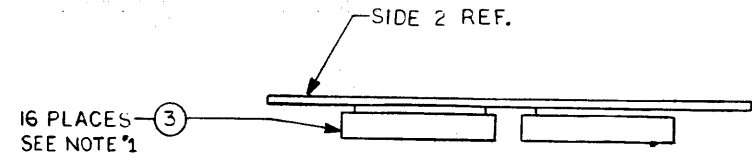


REV.	CHG.	DATE	BY
1	5412953-00001	B	P. GARDNER
2			M. L. O'NEILL
3			J. CARTER
4			J. KIRK

DRN. P. Koppand	5/16/77	FIRST USED ON	VT78
CHKD. [Signature]	7/17/77	TITLE	MR78 BD #1
ENG. [Signature]	20-01-77	PROJECT	MR78 BD #1
PROJ. ENG. [Signature]	20-01-77	SCALE	1:1
PROJ. [Signature]	21-01-77	SHEET	1 OF 1
NEXT HIGHER ASSY.		SIZE	CODE
D-1A-5412953-0-0		NUMBER	REV.
		D CS 5412953-0-1	C

THIS DRAWING AND SPECIFICATIONS, HEREIN, ARE THE PROPERTY OF DIGITAL EQUIPMENT CORPORATION AND SHALL NOT BE REPRODUCED OR TRANSMITTED IN ANY FORM OR BY ANY MEANS, ELECTRONIC OR MECHANICAL, INCLUDING PHOTOCOPYING, RECORDING, OR BY ANY INFORMATION STORAGE AND RETRIEVAL SYSTEM, WITHOUT THE WRITTEN PERMISSION OF DIGITAL EQUIPMENT CORPORATION.
 1977

COMPONENT SIDE VIEW



NOTES: REFER TO: C-PL-MR78-0-0 FOR PROMS TO BE USED IN E1-E16.

CHK CHANGE NO	REV	DATE	BY
JA	5412951-1	B	

ETCH REV.	B
P.C. DESIGN DATA BASE REV.	B

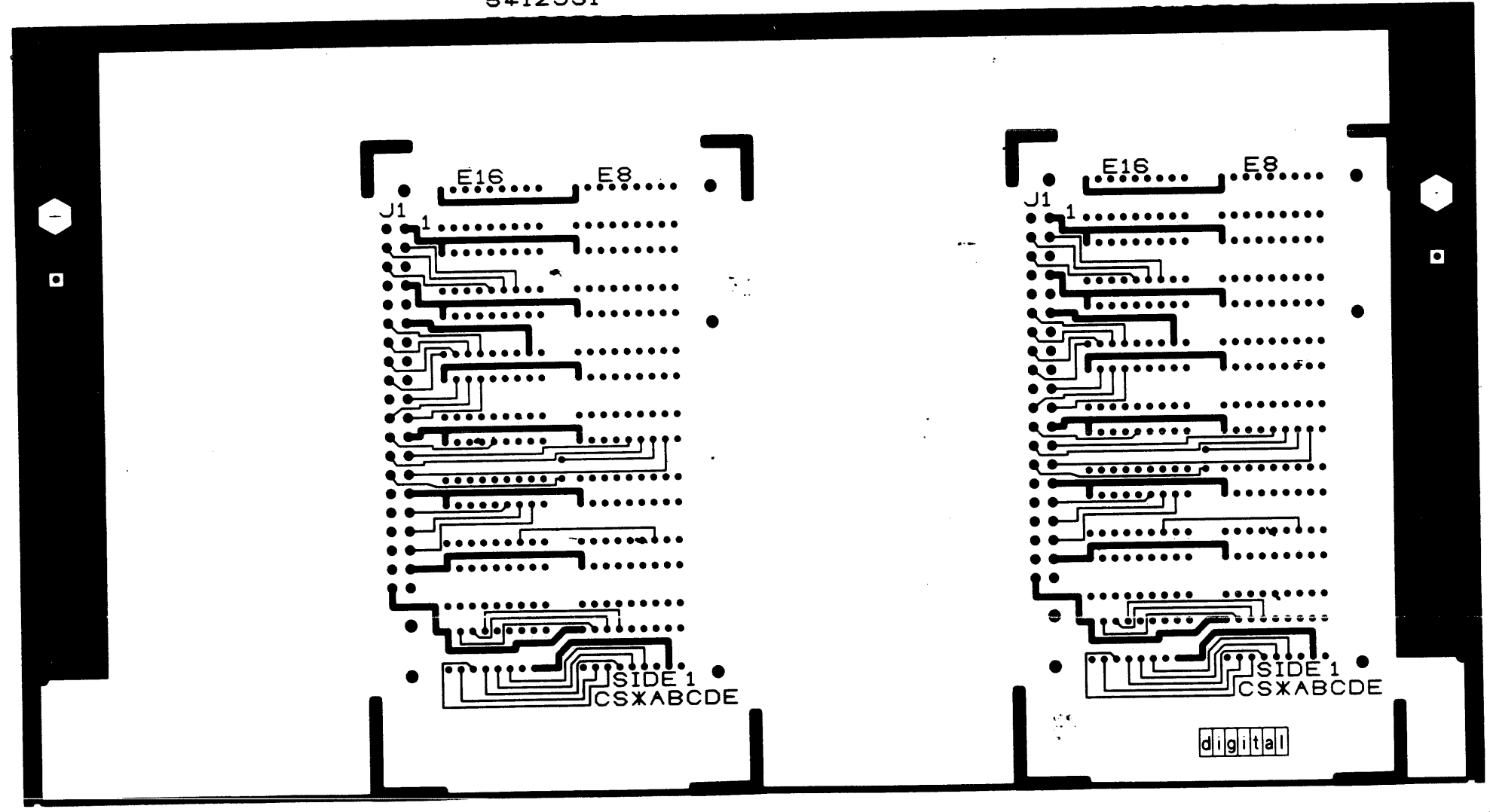
SIGNATURES		DATE	TITLE
DRN.	<i>Don Scanlon</i>		digital
CHK'D.	<i>W. J. ...</i>	27 JUN 77	
ENG.	<i>W. J. ...</i>	27 JUN 77	
PROJ. ENG.	<i>W. J. ...</i>	27 JUN 77	
PROD.	<i>W. J. ...</i>	27 JUN 77	
SCALE	1/2" = 1"		
SHT.	1 OF 3		
NEXT HIGHER ASSY: B-00-5412951-0			

SIZE	CODE	NUMBER	REV
0	UA	5412951-0-0	B

THIS DRAWING AND SPECIFICATION ARE THE PROPERTY OF DIGITAL EQUIPMENT CORPORATION AND SHALL NOT BE REPRODUCED OR COPIED OR USED IN WHOLE OR IN PART AS THE BASIS FOR THE MANUFACTURE OF ANY ITEM WITHOUT WRITTEN PERMISSION. COPYRIGHT © 1967 DIGITAL EQUIPMENT CORPORATION

L1 
5412951

L1 
5412951



VIEWED FROM SIDE 1

REVISIONS		
CHK	CHANGE NO	REV

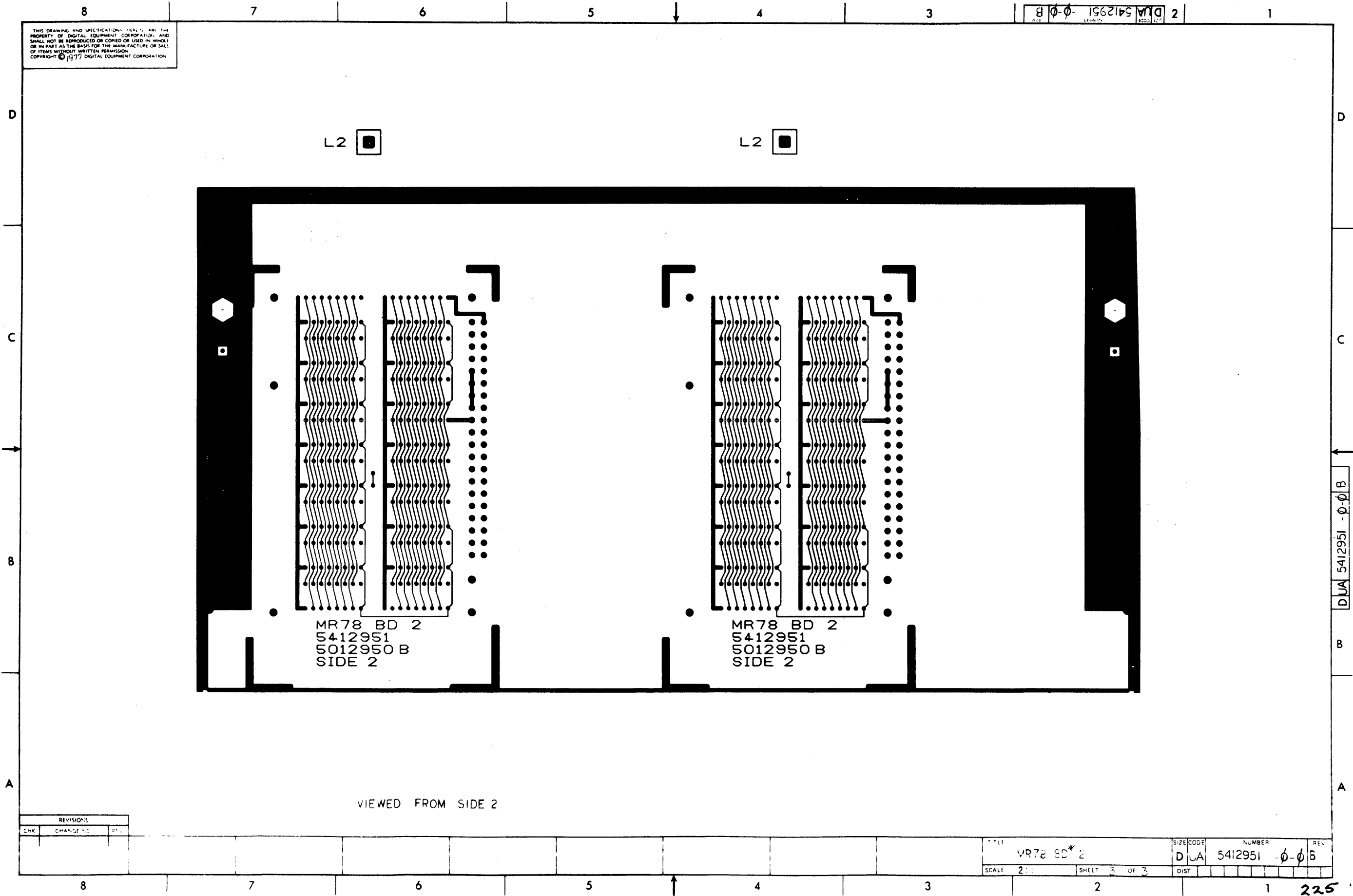
TITLE	MR78 BC* 2	SIZE CODE	DUA	NUMBER	5412951	REV.	-0-0 B
SCALE	2:1	SHEET	2	OF	3	DIST	

224

DUA 5412951 -0-0 B

THIS DRAWING AND SPECIFICATIONS HEREIN ARE THE PROPERTY OF DIGITAL EQUIPMENT CORPORATION, AND SHALL NOT BE REPRODUCED OR COPIED OR USED IN WHOLE OR IN PART AS THE BASIS FOR THE MANUFACTURE OR SALE OF ITEMS WITHOUT WRITTEN PERMISSION. COPYRIGHT © 1977 DIGITAL EQUIPMENT CORPORATION.

DJA 5412951 - 0-0 B 2



MR78 BD 2
5412951
5012950 B
SIDE 2

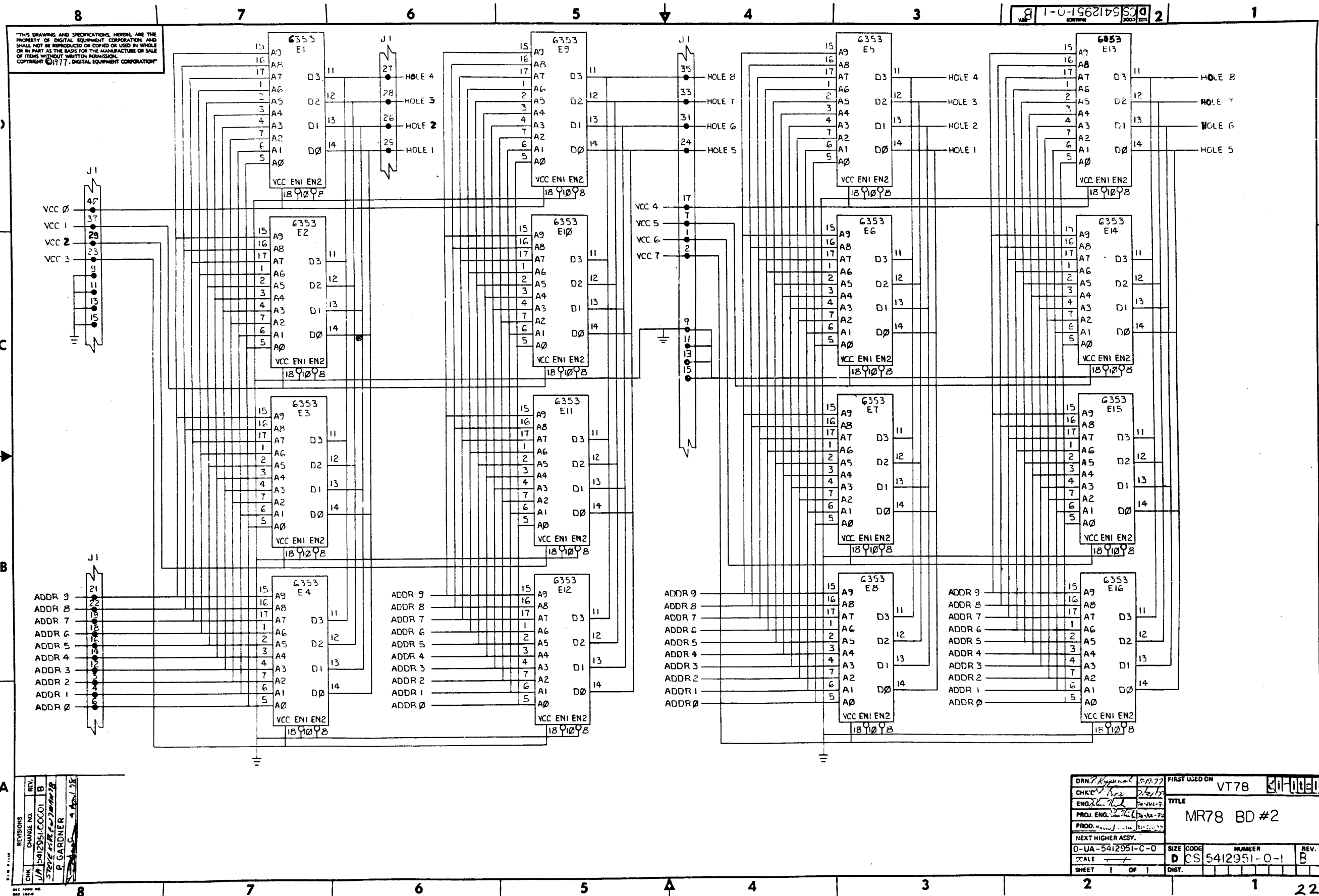
MR78 BD 2
5412951
5012950 B
SIDE 2

VIEWED FROM SIDE 2

REVISIONS		
CHK	CHANGE NO.	REF.

TITLE	MR78 BD* 2	SIZE CODE	DJA	NUMBER	5412951 - 0-0 B	REV.	
SCALE	2:1	SHEET	3	OF	3	DIST	

225



"THIS DRAWING AND SPECIFICATIONS HEREIN ARE THE PROPERTY OF DIGITAL EQUIPMENT CORPORATION AND SHALL NOT BE REPRODUCED OR COPIED OR USED IN WHOLE OR IN PART AS THE BASIS FOR THE MANUFACTURE OR SALE OF ITEMS WITHOUT WRITTEN PERMISSION. COPYRIGHT © 1977, DIGITAL EQUIPMENT CORPORATION"

DIGITAL EQUIPMENT CORPORATION
 CS 5412951-0-1

REVISIONS

CHK	CHANGE NO.	REV.
UA	1	1
UA	2	2
UA	3	3
UA	4	4
UA	5	5
UA	6	6
UA	7	7
UA	8	8
UA	9	9
UA	10	10
UA	11	11
UA	12	12
UA	13	13
UA	14	14
UA	15	15
UA	16	16
UA	17	17
UA	18	18
UA	19	19
UA	20	20
UA	21	21
UA	22	22
UA	23	23
UA	24	24
UA	25	25
UA	26	26
UA	27	27
UA	28	28
UA	29	29
UA	30	30
UA	31	31
UA	32	32
UA	33	33
UA	34	34
UA	35	35
UA	36	36
UA	37	37
UA	38	38
UA	39	39
UA	40	40
UA	41	41
UA	42	42
UA	43	43
UA	44	44
UA	45	45
UA	46	46
UA	47	47
UA	48	48
UA	49	49
UA	50	50

STEVE HARRIS
 P. GARDNER

DRN. P. Koppal	5/11/77	FIRST USED ON	VT78
CHKD. R. J. ...	5/25/77	TITLE	MR78 BD #2
ENG. ...	5/25/77	SIZE	D
PROJ. ENG. ...	5/25/77	CODE	CS 5412951-0-1
PROD. ...	5/25/77	NUMBER	B
NEXT HIGHER ASSY.		REV.	
D-UA-5412951-C-0		SHEET	1 OF 1
SCALE		DIST.	

228

This drawing and specifications, herein, are the property of Digital Equipment Corporation and shall not be reproduced or used in whole or in part as the basis for the manufacture or sale of any product without written permission.

DIGITAL EQUIPMENT CORPORATION MAYNARD MASSACHUSETTS																			
PACKAGING INSTRUCTION INSTR PKG MEMORY MR78																			
REV: _____	DATE: _____																		
<table border="1"> <thead> <tr> <th>LEGEND</th> <th>MIR78-AA</th> </tr> </thead> <tbody> <tr><td>3700339-00</td><td></td></tr> <tr><td>-01</td><td>-AB</td></tr> <tr><td>-02</td><td>-BA</td></tr> <tr><td>-03</td><td>-BB</td></tr> <tr><td>-04</td><td>-BC</td></tr> <tr><td>-05</td><td>-BD</td></tr> <tr><td>-06</td><td>MIR78-CA</td></tr> <tr><td>-07</td><td>-BH</td></tr> </tbody> </table>		LEGEND	MIR78-AA	3700339-00		-01	-AB	-02	-BA	-03	-BB	-04	-BC	-05	-BD	-06	MIR78-CA	-07	-BH
LEGEND	MIR78-AA																		
3700339-00																			
-01	-AB																		
-02	-BA																		
-03	-BB																		
-04	-BC																		
-05	-BD																		
-06	MIR78-CA																		
-07	-BH																		
MATERIAL REQUIREMENTS 3700339-00 (MIR78-AA)																			
Quantity	Description																		
1	Die-Cut Carton W/Foam																		
1 ft	Tape, Carton Sealing																		
1	Label																		
3700339-01 (MIR78-AB)																			
1	Die-Cut Carton W/Foam																		
1 ft	Tape, Carton Sealing																		
1	Label																		
3700339-02 (MIR78-BA)																			
1	Die-Cut Carton W/Foam																		
1 ft	Tape, Carton Sealing																		
1	Label																		
3700339-03 (MIR78-00)																			
1	Die-Cut Carton W/Foam																		
1 ft	Tape, Carton Sealing																		
1	Label																		

DEC 8-1981 1031-1-0071
DCA - 129

ENG *Ed L. Spindle* 29 Jul 78 APPD *J. J. Nielsen* 1-25-78 SIZE CODE NUMBER 3700339-0-0 REV
SHEET 1 OF 4

PACKAGING INSTRUCTION		CONTINUATION SHEET	
TITLE INSTR PKG MEMORY MR78 (Cont)			
Quantity	Purchase Specification No.	Description	REV
1	3700339-03 (MIR78-BB)	Die-Cut Carton W/Foam	3700339-0-0
1 ft	9906182-02	Tape, Carton Sealing	
1	3615060-03	Label	
3700339-04 (MIR78-BC)			
1	9906182-02	Die-Cut Carton W/Foam	
1 ft	9905729	Tape, Carton Sealing	
1	3615060-04	Label	
3700339-05 (MIR78-BD)			
1	9906182-02	Die-Cut Carton W/Foam	
1 ft	9905729	Tape, Carton Sealing	
1	3615060-05	Label	
3700339-06 (MIR78-CA)			
1	9906182-02	Die-Cut Carton W/Foam	
1 ft	9905729	Tape, Carton Sealing	
1	3615060-06	Label	
3700339-07 (MIR78-BB)			
1	9906182-02	Die-Cut Carton W/Foam	
1 ft	9905729	Tape, Carton Sealing	
1	3615060-07	Label	

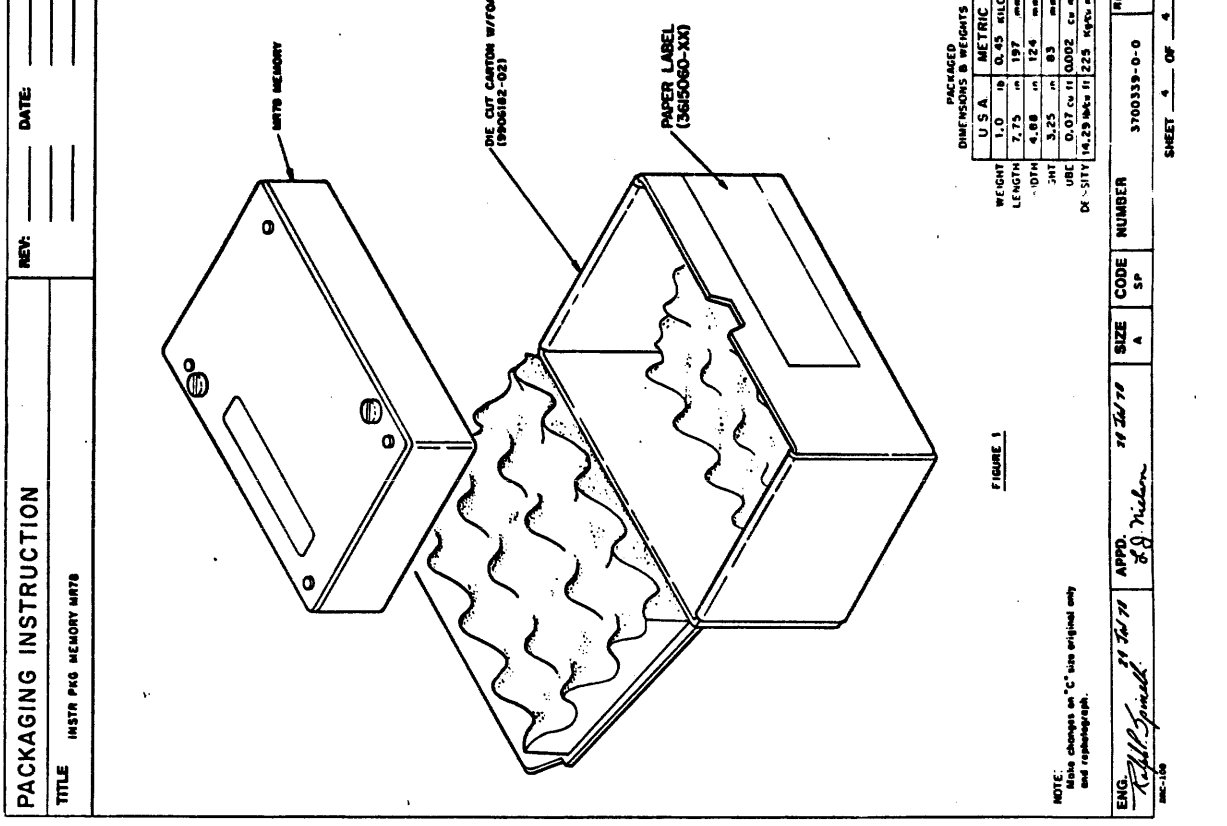
DEC 8-1981 *Ed L. Spindle* 29 Jul 78 APPD *J. J. Nielsen* 1-25-78 SIZE CODE NUMBER 3700339-0-0 REV
SHEET 2 OF 4

PACKAGING INSTRUCTION		CONTINUATION SHEET	
TITLE INSTR PKG MEMORY MR78			
PACKAGING INSTRUCTIONS Procedure			
Step	Description		
1.	Open Die-Cut Carton (9906182-00) and remove top piece of Convoluted Foam (9906182-01).		
2.	Place MR78 Memory inside Carton, approximately in center.		
3.	Reposition Convoluted Foam inside Carton.		
4.	Close Die-Cut Carton (flap inside) and tape using Carton Sealing Tape (9905729).		
5.	Fix appropriate Label (3615060-XX) on Die-Cut Carton. Make sure that the label version agrees with the memory serial no. variation.		

This drawing and specifications, herein, are the property of Digital Equipment Corporation and shall not be reproduced or used in whole or in part as the basis for the manufacture or sale of any product without written permission.

PACKAGING INSTRUCTION		CONTINUATION SHEET	
TITLE INSTR PKG MEMORY MR78			
PACKAGING INSTRUCTIONS Procedure			
Step	Description		
1.	Open Die-Cut Carton (9906182-00) and remove top piece of Convoluted Foam (9906182-01).		
2.	Place MR78 Memory inside Carton, approximately in center.		
3.	Reposition Convoluted Foam inside Carton.		
4.	Close Die-Cut Carton (flap inside) and tape using Carton Sealing Tape (9905729).		
5.	Fix appropriate Label (3615060-XX) on Die-Cut Carton. Make sure that the label version agrees with the memory serial no. variation.		

This drawing and specifications, herein, are the property of Digital Equipment Corporation and shall not be reproduced or used in whole or in part as the basis for the manufacture or sale of any product without written permission.



PACKAGED DIMENSIONS & WEIGHTS

U.S.A.	METRIC
WEIGHT 1.0 lb	0.45 KILO
LENGTH 7.75 in	197 mm
-IDW 4.88 in	124 mm
HT 3.25 in	83 mm
UBC 0.07 cu ft	0.002 cu m
DI-STY 14.29 lbs-ft	225 kg-cm

NOTE: Make changes on "C" size original only and rephotograph.

ENG *Ed L. Spindle* 29 Jul 78 APPD *J. J. Nielsen* 1-25-78 SIZE CODE NUMBER 3700339-0-0 REV
SHEET 3 OF 4