

**ILLUSTRATED  
PARTS  
BREAKDOWN**

**DEC 7000 Series System  
VAX 7000 Series System**

**ILLUSTRATED PARTS BREAKDOWN (IPB)**

The IPB is used to identify a part and its location in a hardware product. The document references specific item numbers in the associated parts list.

**HOW TO USE THE IPB**

1. Locate the figure containing the item of interest.
2. Locate the number (callout) of the item of interest.
3. Locate that item number in the associated parts list.

**FORMAT**

Each IPB is generally organized based on its first figure. All other assemblies and subassemblies are referenced from this figure. Each figure contains numeric callouts of all major parts (items).

**PARTS LIST**

Each parts list contains the following:

**Figure and Item No.** – Lists the figure number and its referenced numeric callout

**Description** – Presents the name and a brief description of the item. A single asterisk (\*) preceding the description denotes item is a

subassembly to its referenced figure. A double asterisk (\*\*) preceding the description indicates that this item is subordinate to the preceding single asterisk item.

**DEC Part No.** – Lists the Digital/Vendor part number. The letter in the column heading indicates the current revision level of the Engineering Drawing for the referenced figure.

**ECO Cut-In** – Lists the top assembly drawing number and revision level at first printing. All additional revisions to an item are listed in this column.

**Used On Code** – Lists letters referring to the product variation assigned in Figure 1. When this column is blank, the item is used in all variations.

**Ref Fig No.** – Lists a cross reference between figures within the IPB.

**PART NUMBER/PART DESCRIPTION INDEX SECTION**

Lists items by part number numerically, and description alphabetically. Items are also referenced to a location within the IPB by figure and item number.

**ECO/REVISION HISTORY**

**OTHER IPB  
MANUALS  
REFERENCED**

FIGURE NO.	ASSEMBLY	INITIAL LEVEL	CURRENT LEVEL	PRINTING DATE	OTHER IPB MANUALS REFERENCED
1	H9F00	00000	00000	20–NOV–92	N/A
2	BA651	00000	00000		
3	BA654	00000	00000		
4	BA655	00000	00000		
5	70–28574	00000	00000		
6	XX–XXXXX	XXXXX	XXXXX		
7	XX–XXXXX	XXXXX	XXXXX		
8	H7237/7238	00000	00000		

Digital Equipment Corporation reserves the right, without notice, to make substitutions and modifications in the specifications of products documented in this manual and further reserves the right to withdraw any of these products from the market without notice.

Digital Equipment Corporation is not responsible for errors which may appear in the technical description (including illustrations and photographs) of the products covered by this manual.

None of the descriptions contained in this manual imply the granting of any license whatsoever to make, use or sell equipment constructed in accordance therewith.

Restricted Rights: Use, duplication or disclosure by the U.S. Government is subject to restrictions as set forth in subparagraph (c) (1) (ii) of the Rights in Technical Data and Computer Software clause at DFARS 252.227-2713.

Copyright © 1992 by Digital Equipment Corporation. All rights reserved.  
Printed in U.S.A.

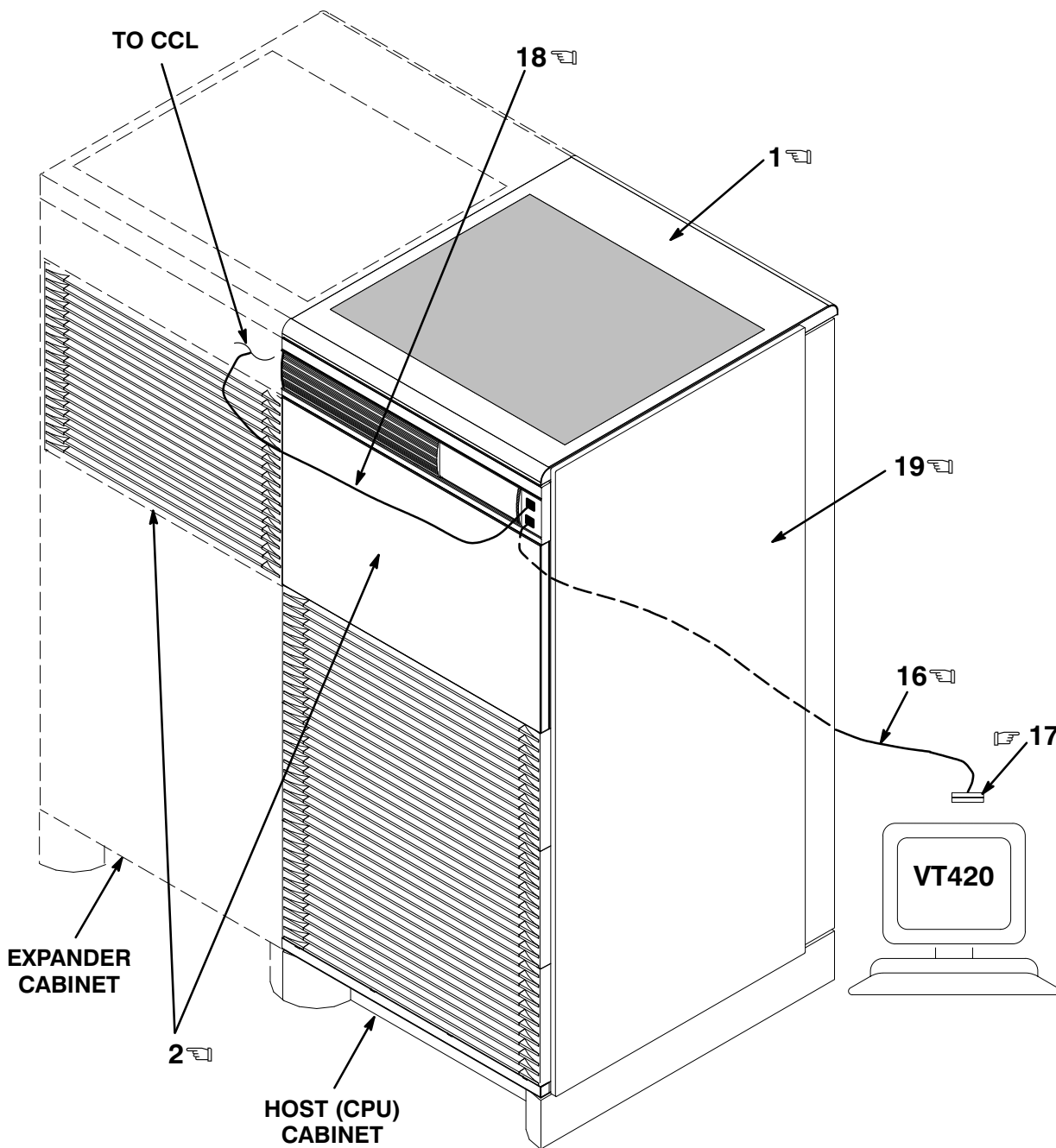
The postage-paid READER'S COMMENTS form on the last page of this document requests your critical evaluation to assist us in preparing future documentation.

The following are trademarks of Digital Equipment Corporation :

---

Alpha AXP, DECdirect, DEC, NVAX, RRD42, TK85, VAX and the DIGITAL logo.

  INDICATES FRU LEVEL PARTS.

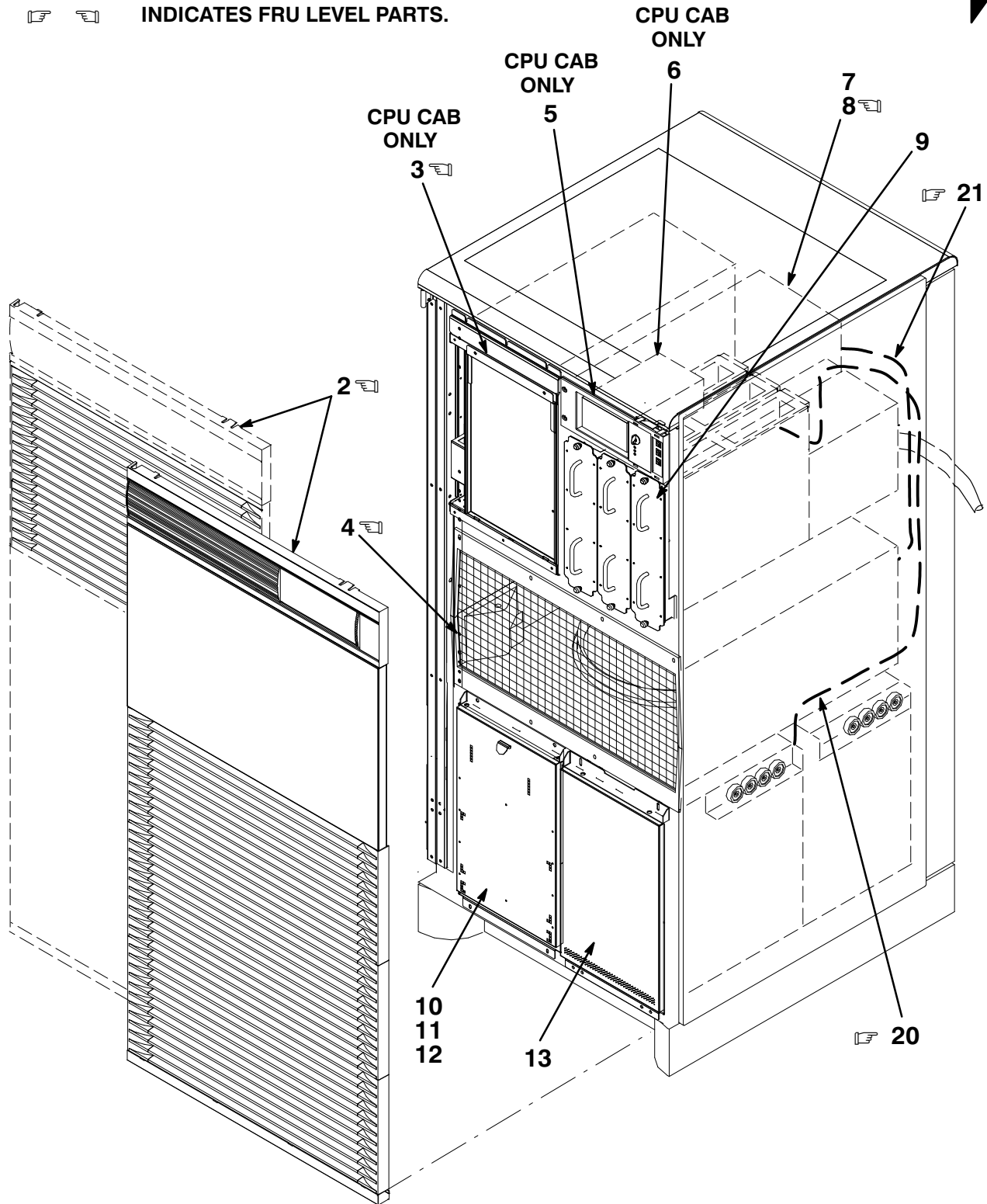


DV700-01-IL

FRONT VIEW

Figure 1. Cabinet Assembly (Sheet 1 of 3)

INDICATES FRU LEVEL PARTS.



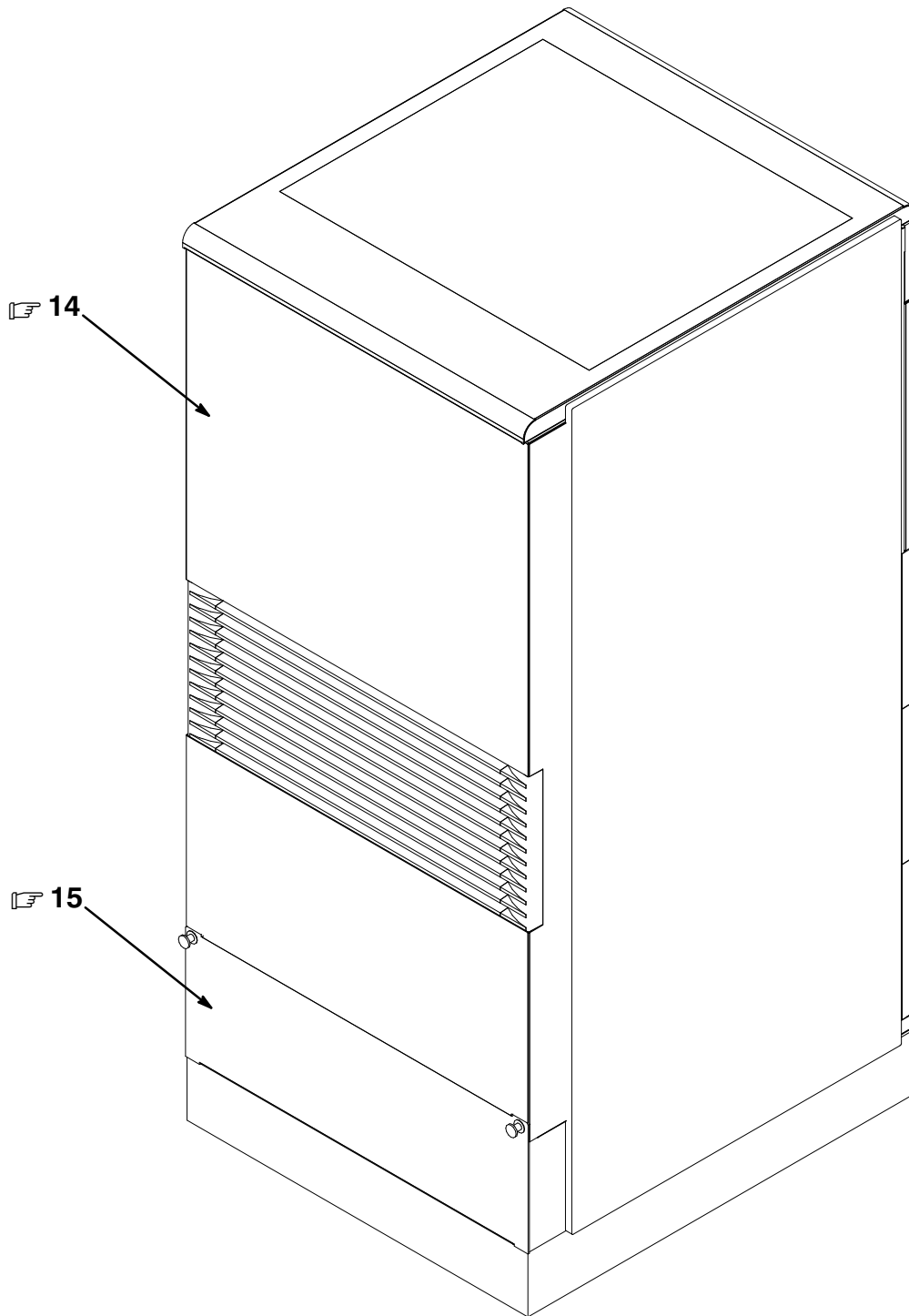
DV700-01A-IL

Figure 1. Cabinet Assembly (Sheet 2 of 3)



INDICATES FRU LEVEL PARTS.

PARTS LIST



DV700-01B-IL

REAR VIEW

Figure 1. Cabinet Assembly (Sheet 3 of 3)

FIG. & ITEM NO.	DESCRIPTION	DEC PART NO. <sup>A</sup>	ECO CUT-IN H9F00 00000	USED ON CODE	REF FIG NO.
1-	<b>CABINET ASSEMBLY</b>				
	Code AA – Model H9F00-AA, CPU Cabinet, 208V (U.S.)	H9F00-AA		AA	
	Code AB – Model H9F00-AB, CPU Cabinet, 416V (Europe)	H9F00-AB		AB	
	Code AC – Model H9F00-AC, CPU Cabinet, 202V (Japan)	H9F00-AC		AC	
	Code BA – Model H9F00-BA, Expander Cabinet, 208V (U.S.)	H9F00-BA		BA	
	Code BB – Model H9F00-BB, Expander Cabinet, 416V (Europe)	H9F00-BB		BB	
	Code BC – Model H9F00-BC, Expander Cabinet, 202V (Japan)	H9F00-BC		BC	
☞ 1	*COVER ASSEMBLY, TOP	70-28587-01			
	**Screw, Sems M5, Pan Hd, 12mm (Qty. 1)	90-09984-18			
☞ 2	*Door Assembly, Front (CPU Cabinet)	70-28582-01		AA, AB AC	
☞	*Door Assembly, Front (Expander Cabinet)	70-30373-01		BA, BB BC	
☞ 3	*BOX ASSEMBLY (See Note)	70-28574-02		AA, AB AC	5
	**Screw, Sems M5, Pan Hd, 12mm (Qty. 10)	90-09984-18			
☞ 4	*FAN ASSEMBLY, 48VDC w/SERVO CONTROL	12-35173-01			
	**Screw, Sems M5, Pan Hd, 12mm (Qty. 12)	90-09984-18			
5	*Panel Assembly, Control (CPU Cab Only)	70-28588-01		AA, AB AC	
6	*Drive Assembly, Tape (CPU Cab Only)	70-28589-01		AA, AB AC	
7	*CONSOLE ASSEMBLY	N/A			6
☞ 8	*Module, Cabinet Control Logic (CCL)	54-20300-01			
9	*POWER SYSTEM ASSEMBLY, 120VAC, 30A	N/A		AA, AC BA, BC	7
	*POWER SYSTEM ASSEMBLY, 240VAC, 16A	N/A		AB, BB	7
	**Screw, Sems M5, Pan Hd, 12mm (Qty. 8)	90-09984-18			
10	*X-PIU ASSEMBLY	BA651-AA			2
	**Screw, Sems M5, Pan Hd, 12mm (Qty. 2)	90-09984-18			
11	*D-PIU ASSEMBLY	BA654-AA			3
	**Screw, Sems M5, Pan Hd, 12mm (Qty. 2)	90-09984-18			
12	*S-PIU ASSEMBLY	BA655-AA			4
	**Screw, Sems M5, Pan Hd, 12mm (Qty. 2)	90-09984-18			
	<b>NOTE: For Expander Cabinet Usage Only.</b> Item 3 also references the D-PIU Assy. (BA654-AA) and the S-PIU Assy. (BA655-AA).				

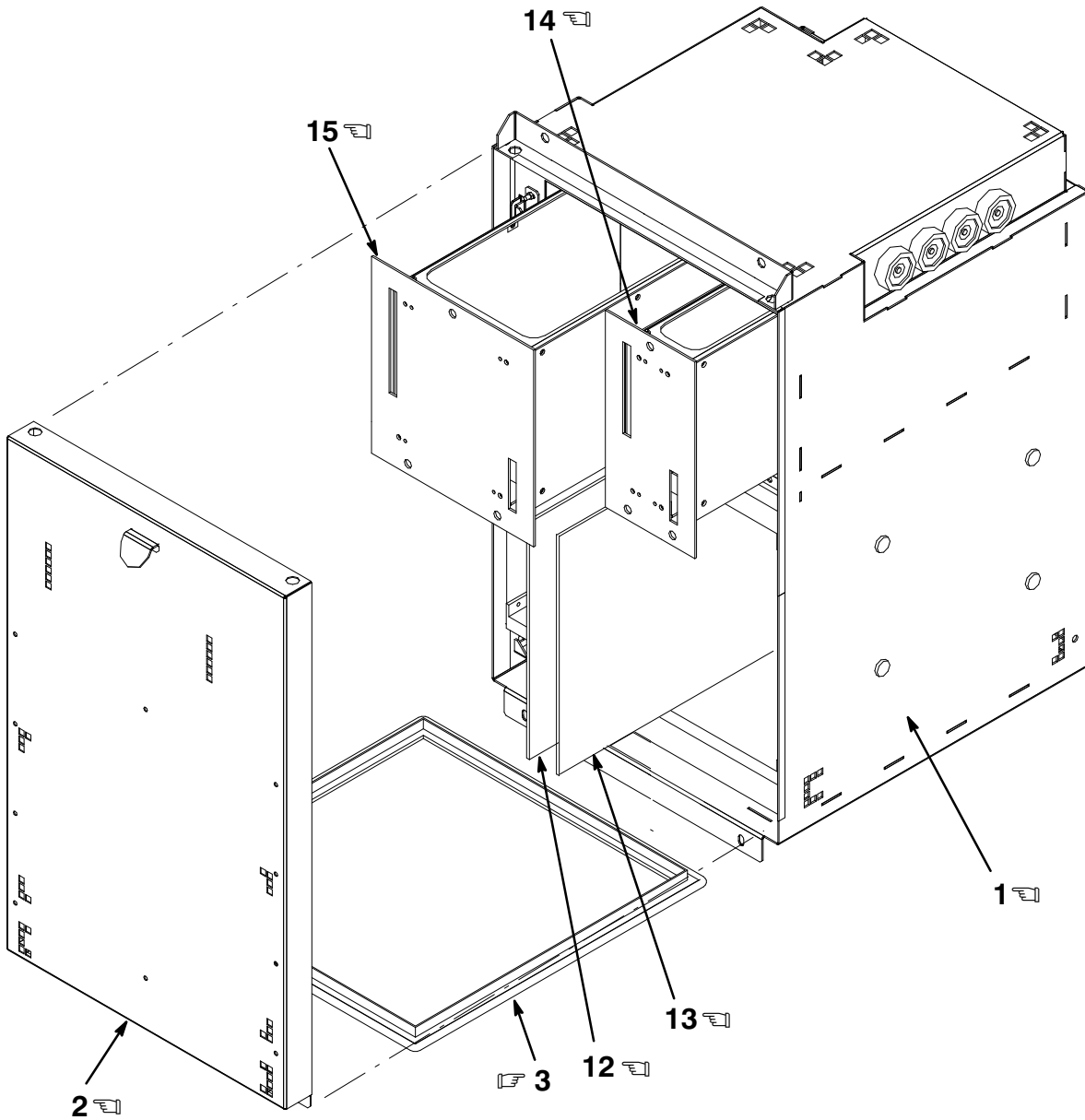
FIG. & ITEM NO.	DESCRIPTION	DEC PART NO. <sup>A</sup>	ECO CUT-IN H9F00 00000	USED ON CODE	REF FIG NO.
1-	CABINET ASSEMBLY (continued)				
13	*BATTERY ASSEMBLY	H7237-AA			8
	**Screw, Sems M5, Pan Hd, 12mm (Qty. 2)	90-09984-18			
☞ 14	*Door Assembly, Rear (CPU Cabinet)	70-28584-01		AA, AB AC	
☞	*Door Assembly, Rear (Expander Cabinet)	70-29974-01		BA, BB BC	
☞ 15	*Cover Assembly, Cable	70-29951-01			
☞ 16	*Cable Assembly, Console Terminal	17-01364-01		AA, AB AC	
☞ 17	*Adapter, Console Terminal Cable to Video Terminal	H8575-A		AA, AB AC	
☞ 18	*Cable Assembly, (CPU Cabinet to Expander Cabinet Control)	17-03511-01		BA, BB BC	
☞ 19	*Panel, Side	70-29350-02			
☞ 20	*Cable Assembly, 48V and Signal to PIU Quadrants (Also known as 4:1 cable)	17-03119-01			
☞ 21	*Cable Assembly, Blower	17-03126-01			
	CABLES (Not Shown)				
☞	*Cable Assembly, Power System to CCL	17-03124-01			
☞	*Cable Assembly, Power Supply to LSB (Grey) 48V	17-03118-01		AA, AB AC	
☞	*Cable Assembly, Power Supply to LSB (Yellow) 48V	17-03118-02		AA, AB AC	
☞	*Cable Assembly, 40 Conductor Round, CCL to LSB	17-03121-01		AA, AB AC	

THIS PAGE INTENTIONALLY LEFT BLANK



INDICATES FRU LEVEL PARTS.

PARTS LIST



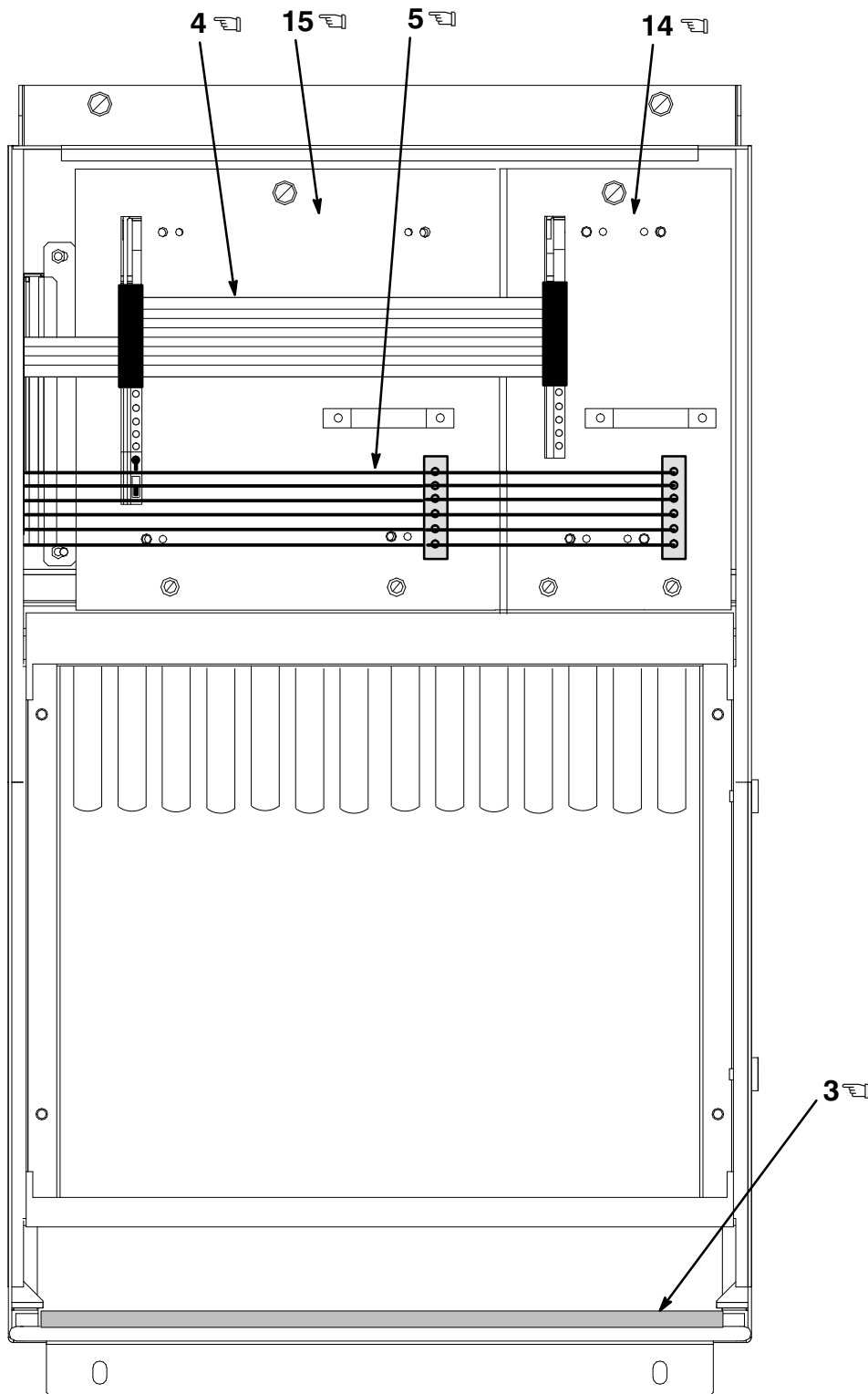
DV700-02-IL

Figure 2. X-PIU Assembly (Sheet 1 of 3)



INDICATES FRU LEVEL PARTS.

PARTS LIST



DV700-02A-IL

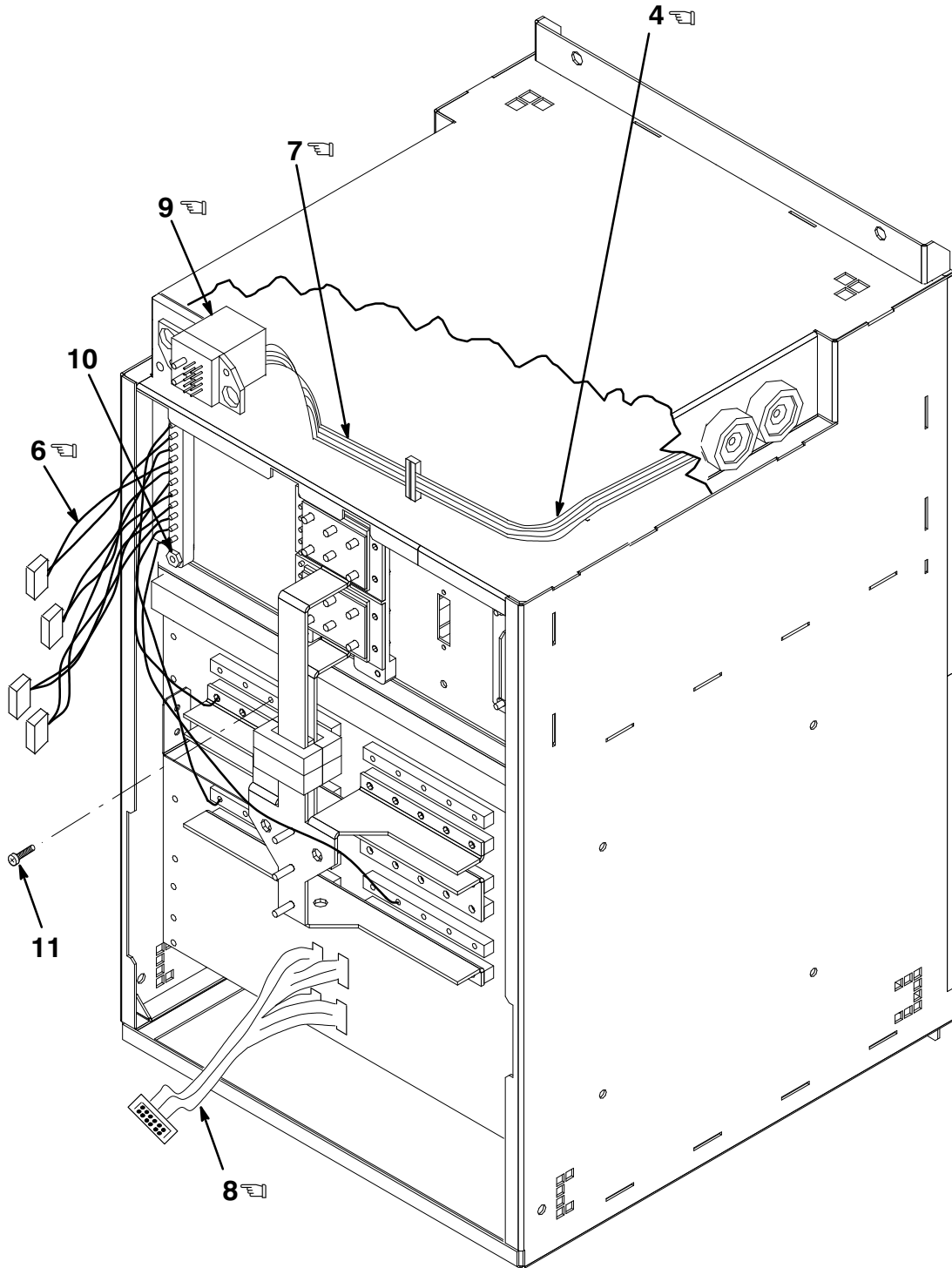
FRONT VIEW

Figure 2. X-PIU Assembly (Sheet 2 of 3)



INDICATES FRU LEVEL PARTS.

PARTS LIST



REAR VIEW

DV700-02B-IL

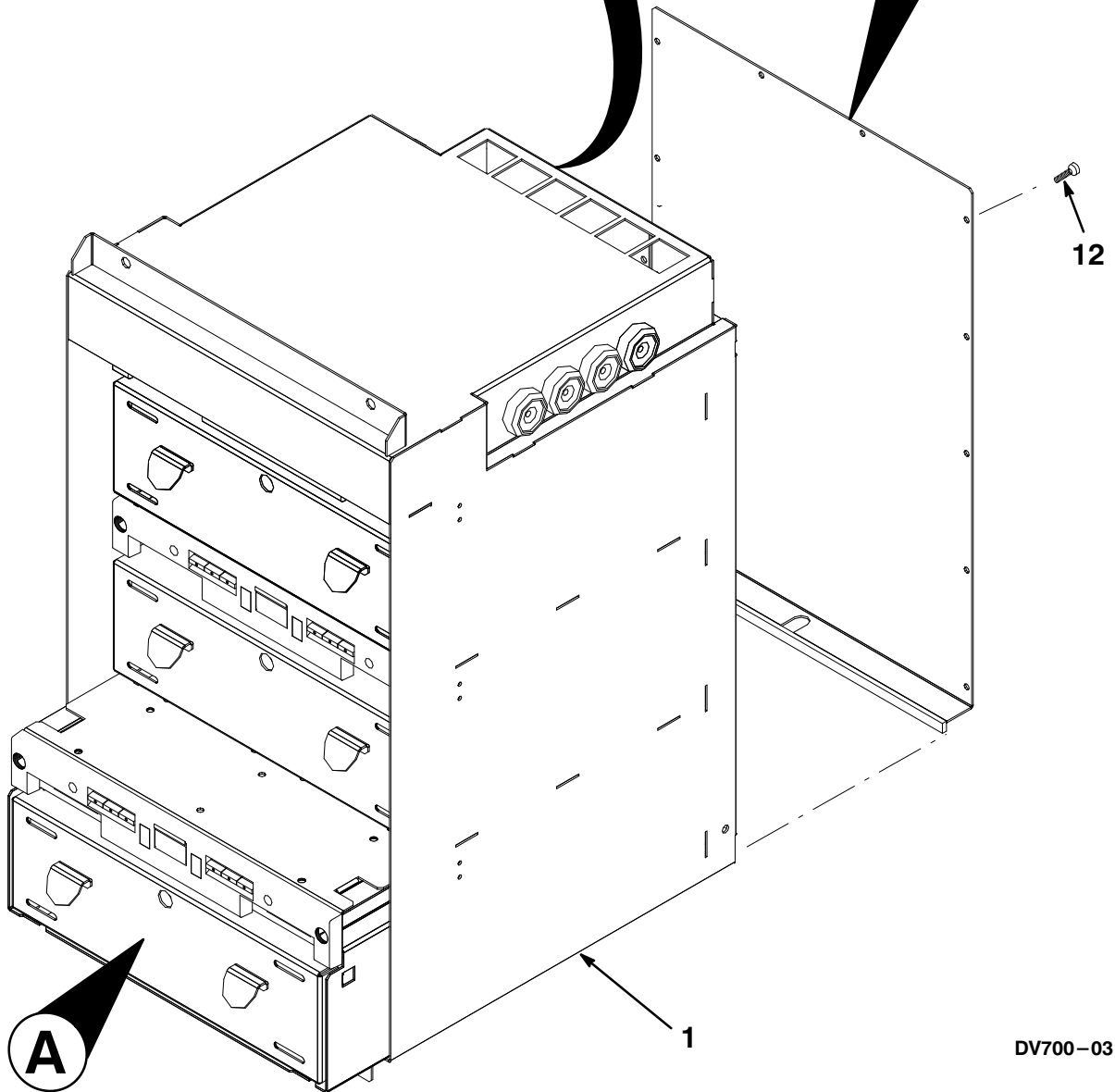
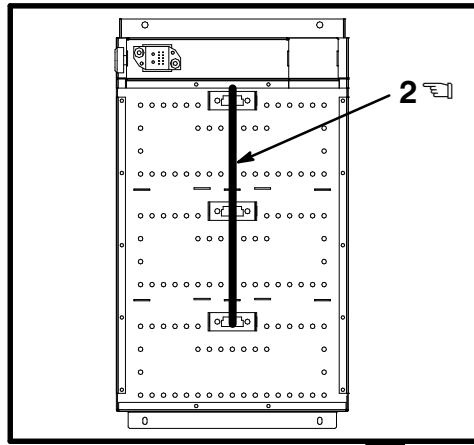
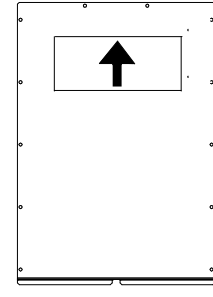
Figure 2. X-PIU Assembly (Sheet 3 of 3)

FIG. & ITEM NO.	DESCRIPTION	DEC PART NO. <sup>A</sup>	ECO CUT-IN BA651 00000	USED ON CODE	REF FIG NO.
2-	X-PIU ASSEMBLY	BA651-AA			1
☞ 1	*X-PIU ASSEMBLY (See Note 1)	70-30396-01			
☞ 2	**Door Assembly, X-PIU Front	70-29329-01			
☞ 3	**Shield, EMI/RFI Screen	12-37452-01			
☞ 4	**Cable Assembly, Signal Ribbon	17-03162-01			
☞ 5	**Wire Harness Assembly, Power, 48V	17-03163-01			
☞ 6	**Wire Harness Assembly, 16 and 14AWG	17-03202-01			
☞ 7	**Cable Assembly, Bulkhead to Signal Cable Pigtail	17-03533-01			
☞ 8	**Cable Assembly, Flat, Multi-Signal, Controlled Impedance	17-03061-01			
☞ 9	**Filter, Power, 48V DC, 25A	12-35550-01			
10	**Nut, Hex M3.5 (Qty. 2)	90-40133-02			
11	**Screw, Sems Pan Hd No. 6-32 x 5/16 (Qty. 45)	90-09984-07			
☞ 12	*Module, Clock plus Arbitration (See Note 2)	T2030-YA			
☞ 13	*Module, Laser to XMI Interface	T2028-AA			
☞ 14	*Converter, DC to DC 48V to Multi O/P, 136W	30-36010-01			
☞ 15	*Converter, DC to DC 48V to 5V, 120A	30-36009-01			
	NOTE 1: Items 2 through 11 Can Be Ordered Separately Or As Part Of The X-PIU Assy. (70-30396-01).				
	NOTE 2: Items 12 through 15 Are Not Part Of This Assembly, They Are Shown For Reference Only and Are Orderable As Separate Piece Parts.				

INDICATES FRU LEVEL PARTS.

PARTS LIST

NOTE: ARROW POINTS  
TOWARD BLOWER



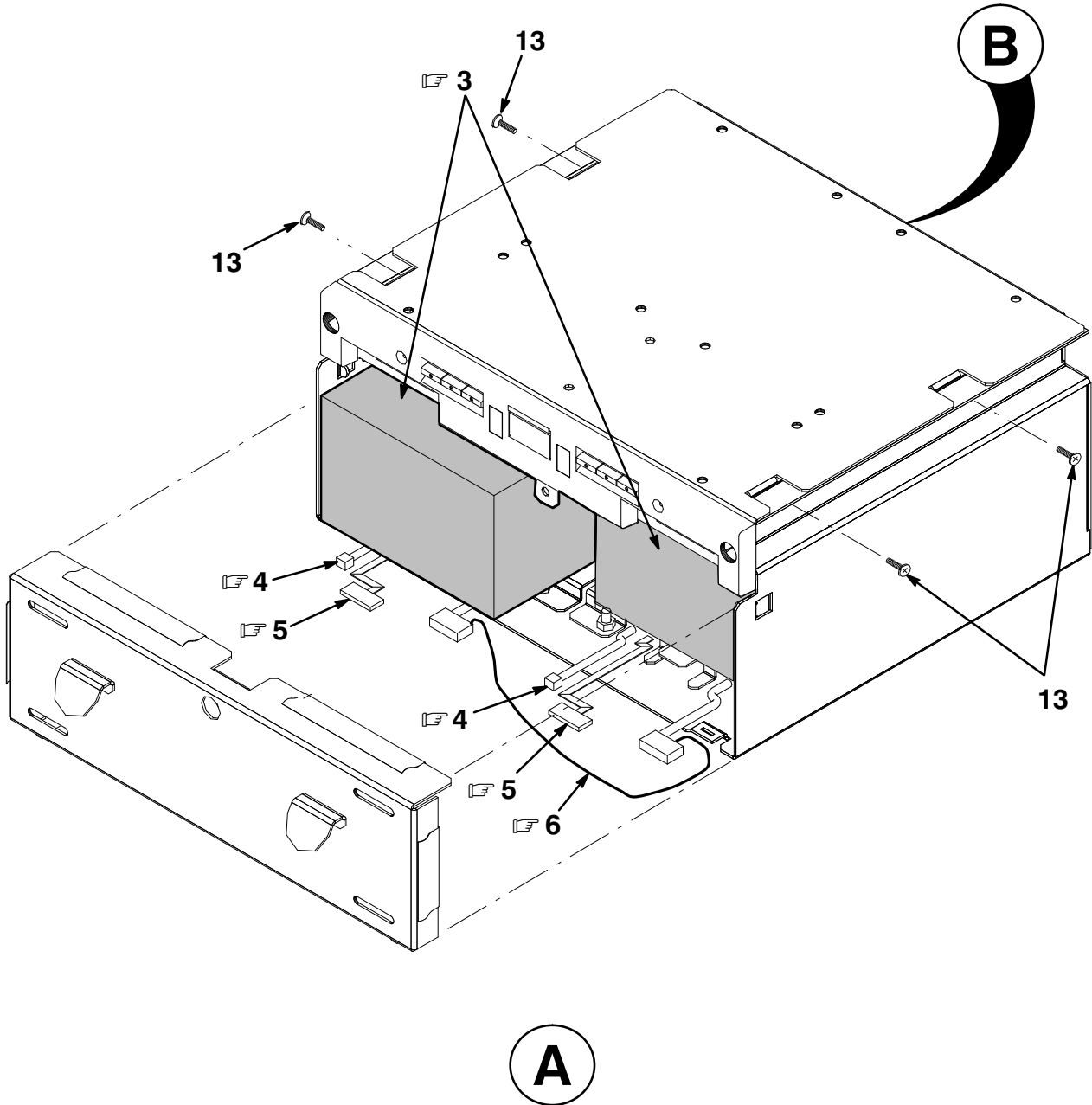
DV700-03-IL

Figure 3. D-PIU Assembly (Sheet 1 of 3)



INDICATES FRU LEVEL PARTS.

PARTS LIST

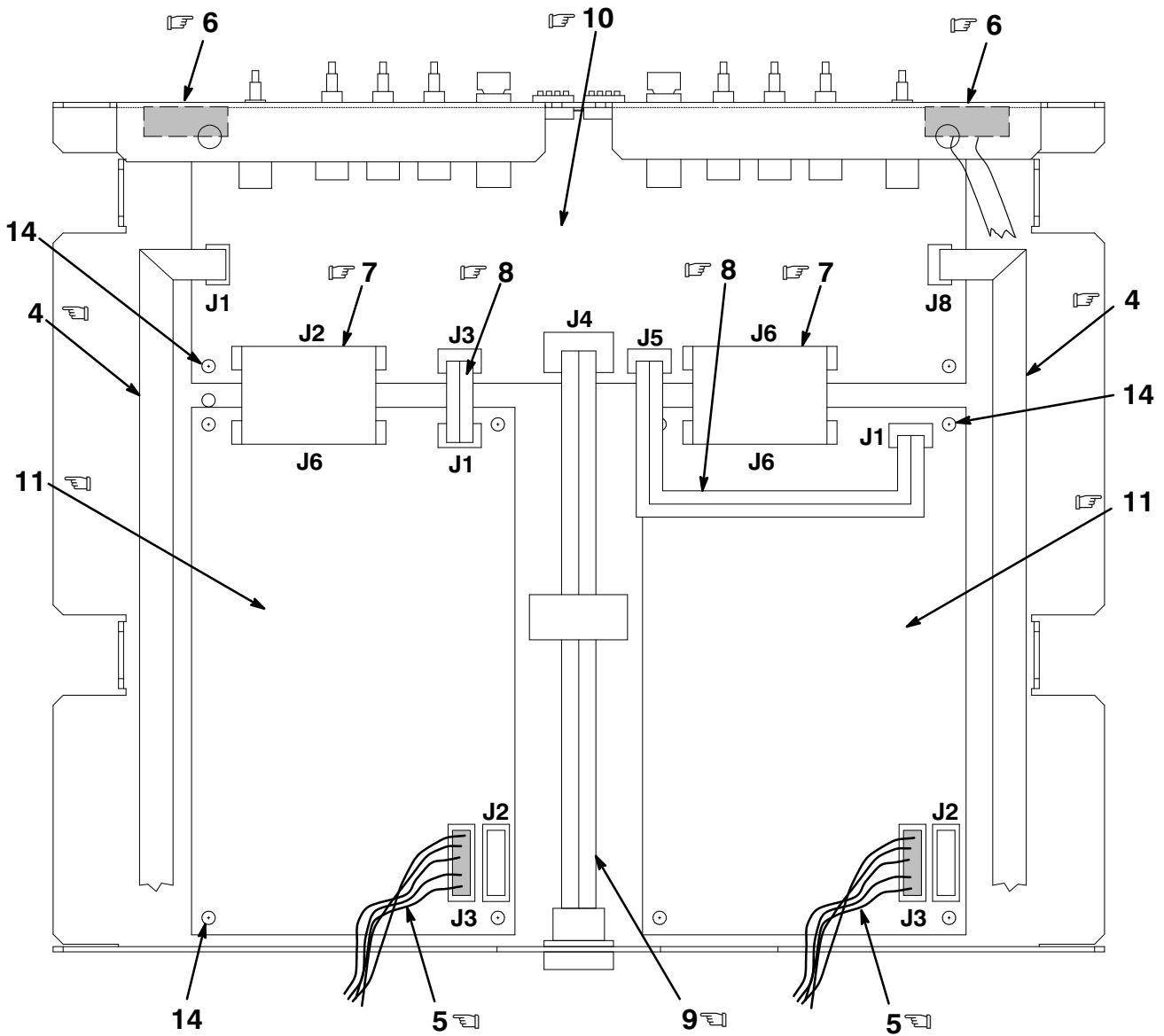


DV700-03A-IL

**Figure 3. D-PIU Assembly (Sheet 2 of 3)  
(SF73-LA DSSI Storage Array)**

INDICATES FRU LEVEL PARTS.

PARTS LIST



**B**

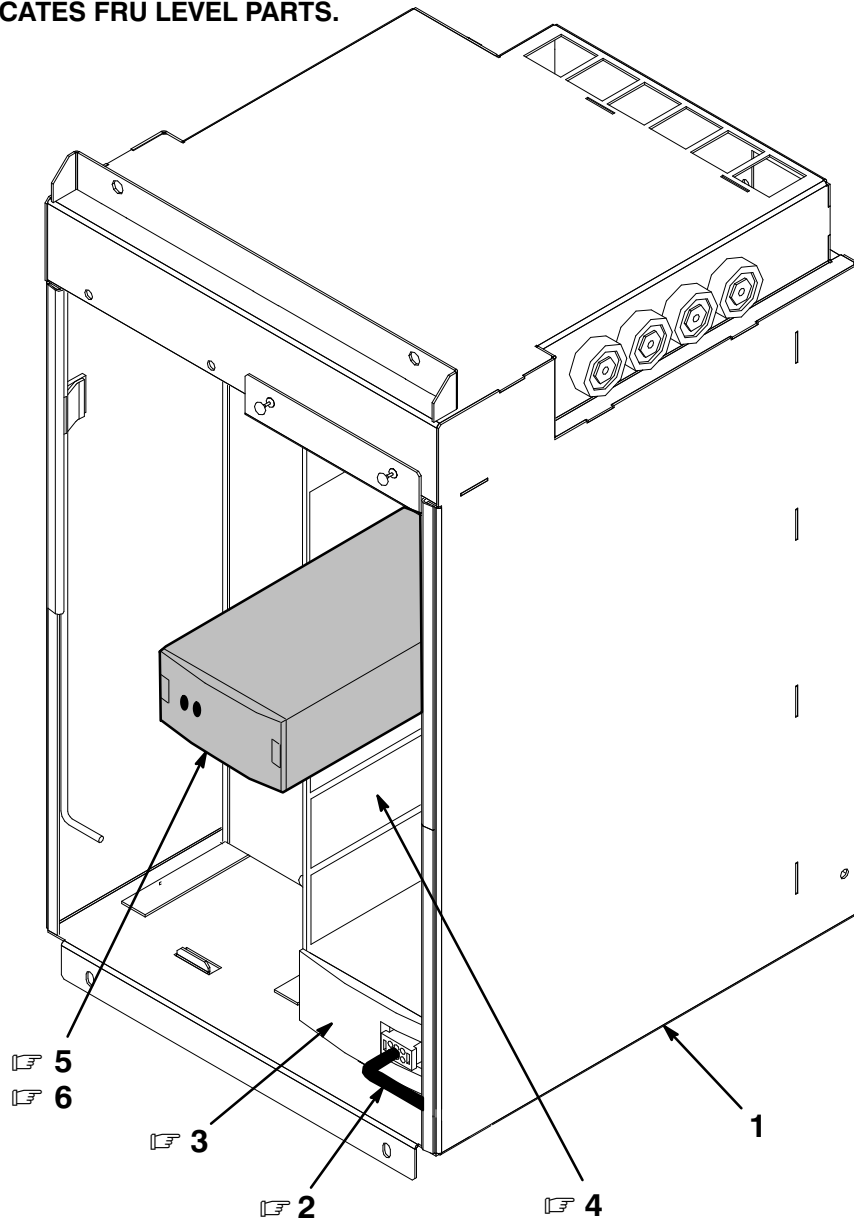
DV700-03B-IL

Figure 3. D-PIU Assembly (Sheet 3 of 3)

FIG. & ITEM NO.	DESCRIPTION	DEC PART NO. <sup>A</sup>	ECO CUT-IN BA654 00000	USED ON CODE	REF FIG NO.
3-	D-PIU ASSEMBLY	BA654-AA			1
1	*D-PIU ASSEMBLY	70-29936-01			
☞ 2	**Cable Assembly, Multi-Conductor 18-20 AWG	17-03422-01			
☞ 3	*DSSI STORAGE ARRAY	SF73-LA			
	**Disk Drive, 5 1/4 Inch DSSI, 2.0 GB (Qty. 2 per Assembly)	RF73-EA			
☞	***Mechanics Assembly, HDA	70-28814-01			
☞	***Module, Interface	54-19119-01			
☞ 4	**Cable Assembly, 10 Conductor Ribbon, (DCP to RF73) (Qty. 2 per Assembly)	17-03417-01			
☞ 5	**Cable Assembly, (LDC to RF73 Power) (Qty. 2 per Assembly)	17-03420-01			
☞ 6	**Cable Assembly, 50 Conductor Round, Internal DSSI (Qty. 1 per Assembly)	17-03424-01			
☞ 7	**Cable Assembly, 20 Conductor Flat, 20 POS IDC (Qty. 2 per Assembly)	17-03419-01			
☞ 8	**Cable Assembly, 02 Conductor Flat, 48V, (From DCP to LDC) (Qty. 2 per Assembly)	17-03418-01			
☞ 9	**Cable Assembly, 04 Conductor, Discrete, 48V (B/H to DCP) (Qty. 1 per Assembly)	17-03423-01			
☞ 10	**Module, Disk Control Panel (DCP)	54-21664-01			
☞ 11	**Module, Local Disk Converter (LDC)	54-20868-01			
12	**Screw, Mach, M3.5 Pan Hd, 8mm (Qty. 12)	90-10556-09			
13	**Screw, Mach, M3 Flat Hd, 12mm (Qty. 4)	90-40122-04			
14	**Screw, Sems, M3 Pan Hd, 6mm (Qty. 12)	90-09984-20			

FIG. & ITEM NO.	DESCRIPTION	DEC PART NO. <sup>A</sup>	ECO CUT-IN BA655 00000	USED ON CODE	REF FIG NO.
4-	S-PIU ASSEMBLY	BA655-AA			1
1	*S-PIU Assembly	70-30380-01			
☞ 2	*Cable Assembly, Power Signal	17-03532-01			
☞ 3	*Power Supply (One each per installed shelf.)	BA35X-HB			
☞ 4	*Shelf, Storm, SCSI (Includes One BA35X-HB)	BA350-SA			
☞ 5	*Disk Drive, SCSI, 1 GB, 3 1/2 Inch	RZ26-VA			
☞ 6	*Tape Drive, SCSI, 4 GB, 3 1/2 Inch	TLZ06-VA			

☞ ☞ INDICATES FRU LEVEL PARTS.

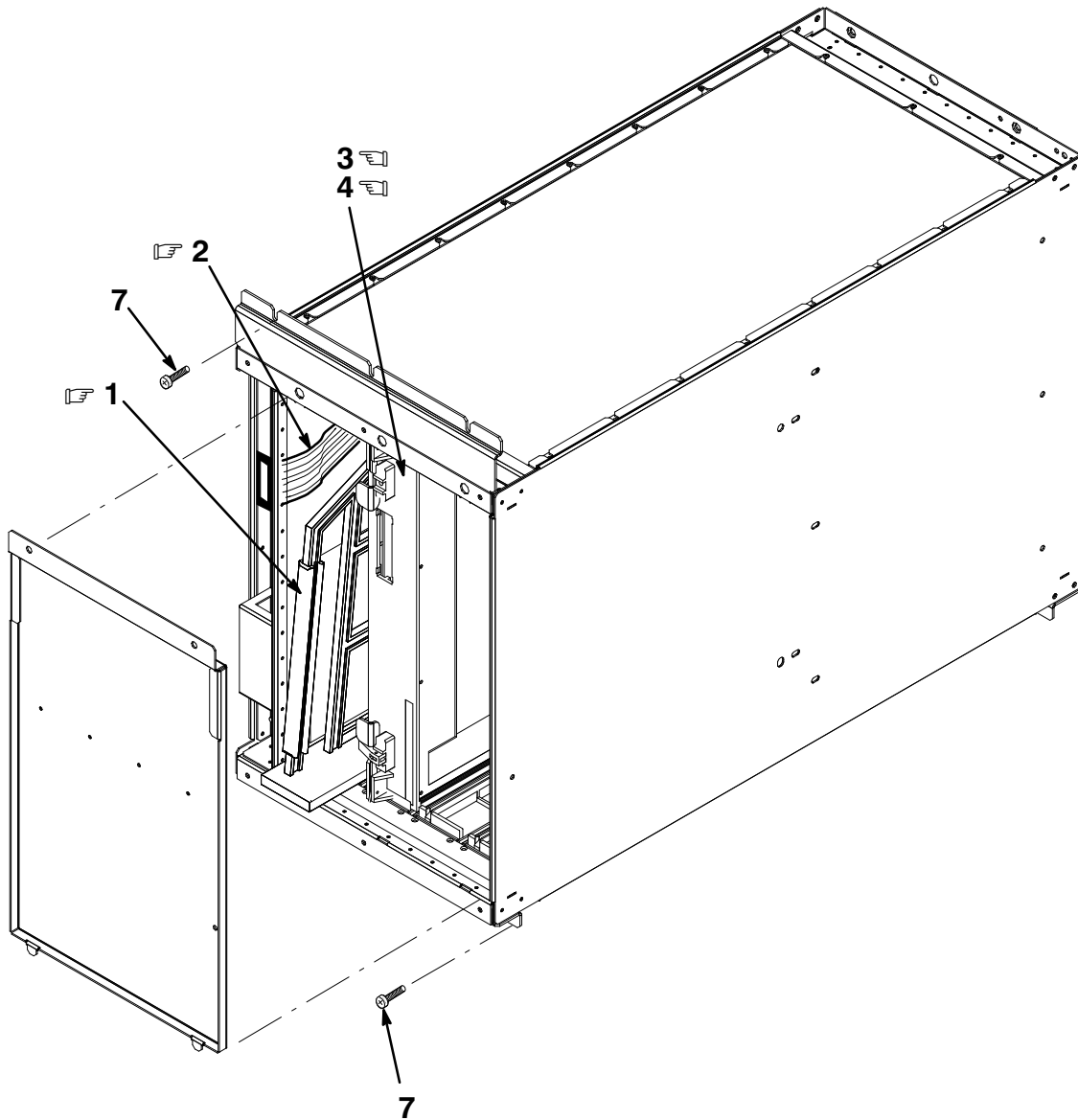


DV700-04-IL

Figure 4. S-PIU Assembly

THIS PAGE INTENTIONALLY LEFT BLANK

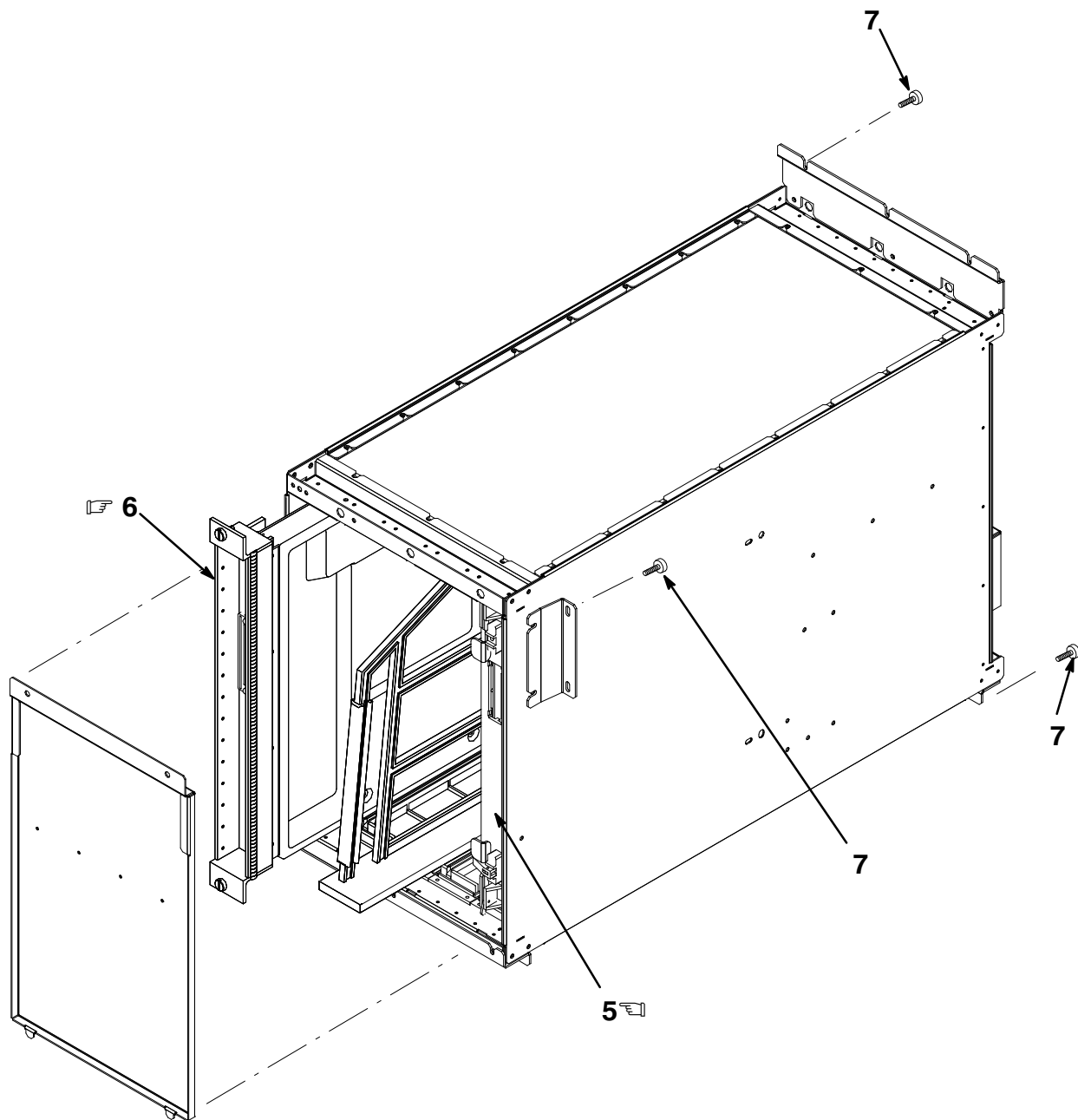
  INDICATES FRU LEVEL PARTS.



DV700-05-IL

**Figure 5. Box Assembly (Sheet 1 of 2)**

  INDICATES FRU LEVEL PARTS.



DV700-05A-IL

**REAR VIEW**

**Figure 5. Box Assembly (Sheet 2 of 2)**

FIG. & ITEM NO.	DESCRIPTION	DEC PART NO. <sup>A</sup>	ECO CUT-IN 70-28574 00000	USED ON CODE	REF FIG NO.
5- ☞	<b>BOX ASSEMBLY</b>	70-28574-02			1
☞ 1	*Filler Assembly, Module	70-29348-01			
☞ 2	*Cable Assembly, Flat 50 Conductor	17-03122-01			
☞ 3	*Module, NVAX CPU, 4 MB	E2045-AA			
☞ 4	*Module, ALPHA CPU, 4 MB	E2040-AA			
☞ 5	*Module, Memory, 64 MB	E2043-AA			
☞	*Module, Memory, 128 MB	E2043-BA			
☞	*Module, Memory, 256 MB	E2043-CA			
☞	*Module, Memory, 512 MB	E2056-AA			
☞ 6	*Module, IOP	E2044-AA			
7	*Screw, Sems M5, Pan Hd, 12mm (Qty. 10)	90-09984-18			

THIS PAGE INTENTIONALLY LEFT BLANK

  INDICATES FRU LEVEL PARTS.

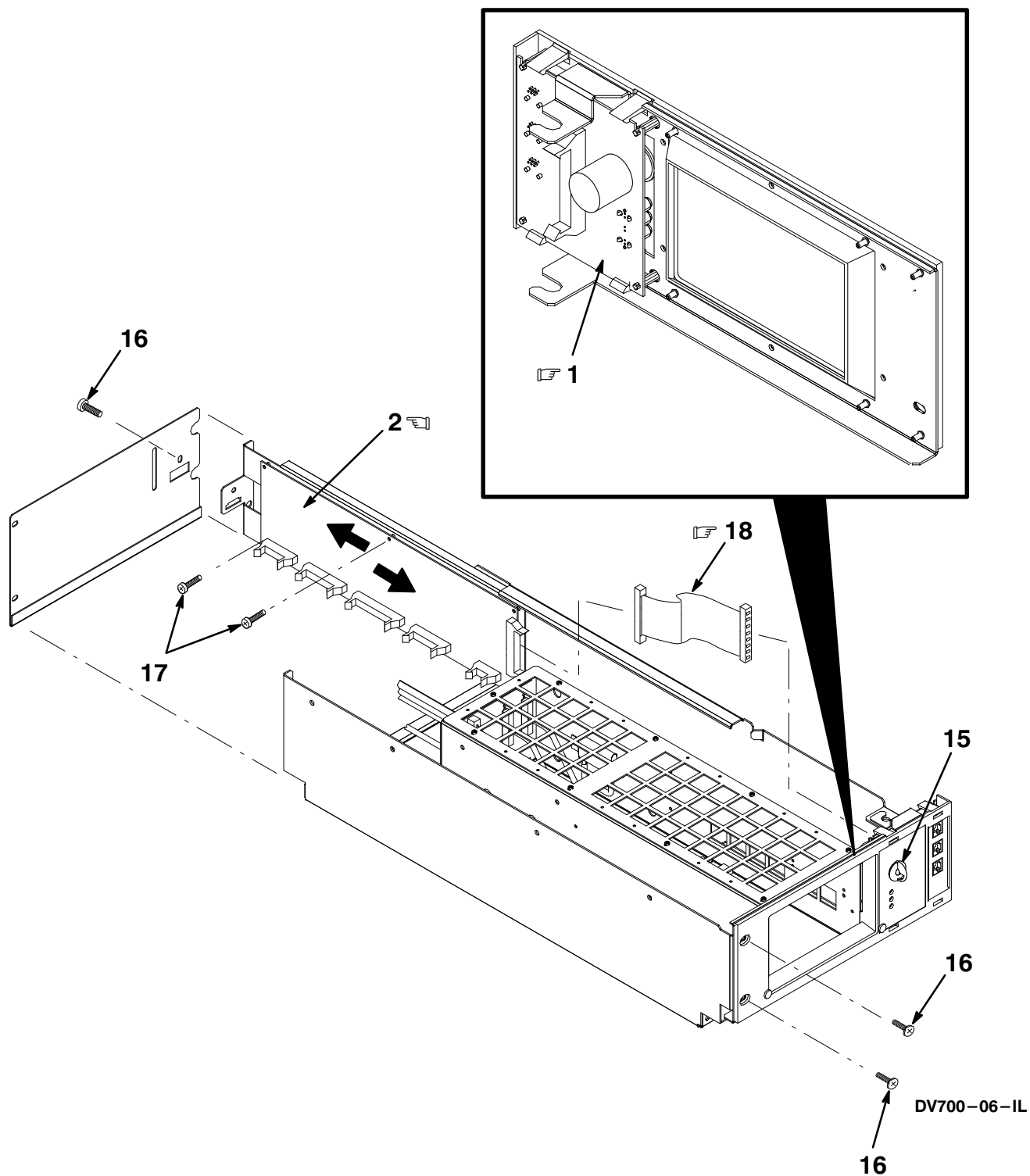
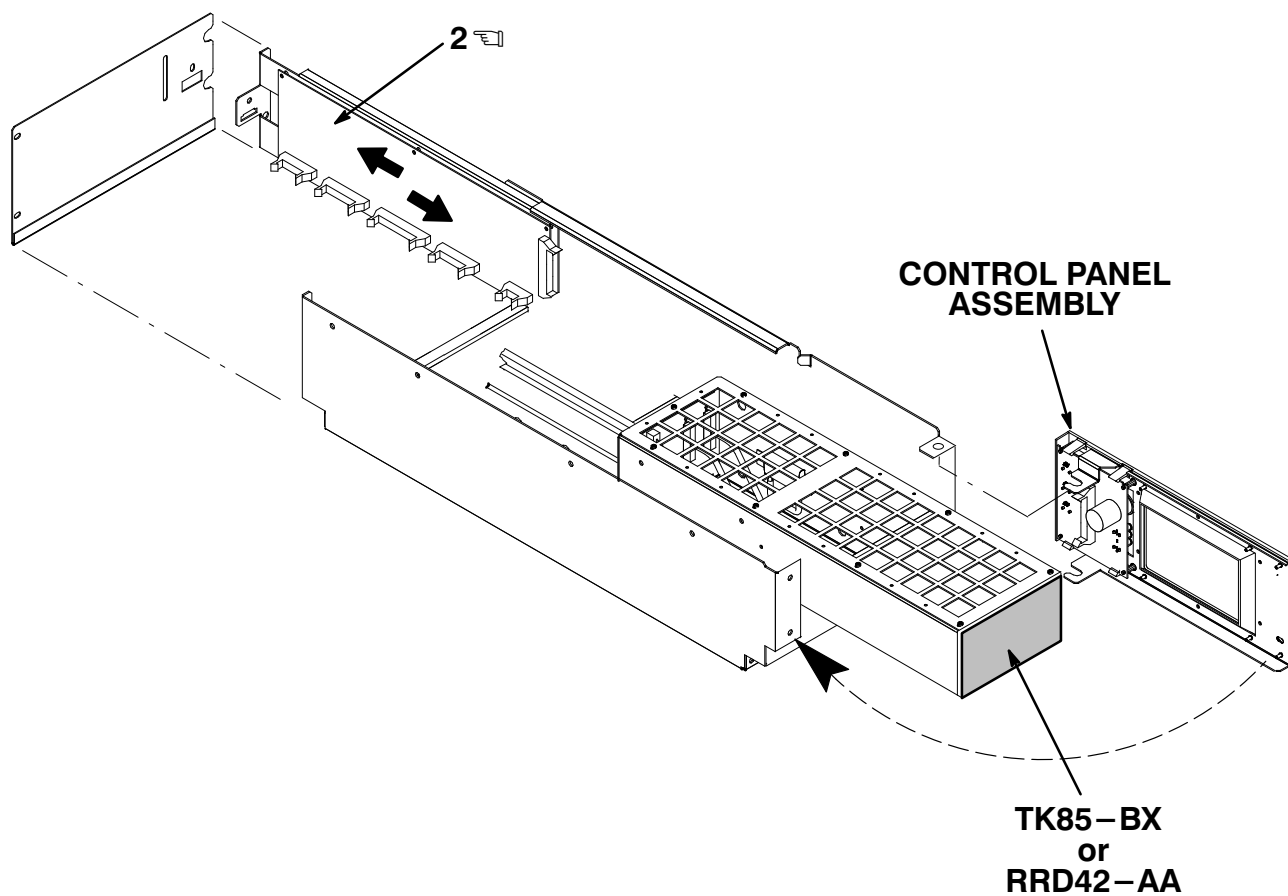


Figure 6. Console Assembly (Sheet 1 of 4)

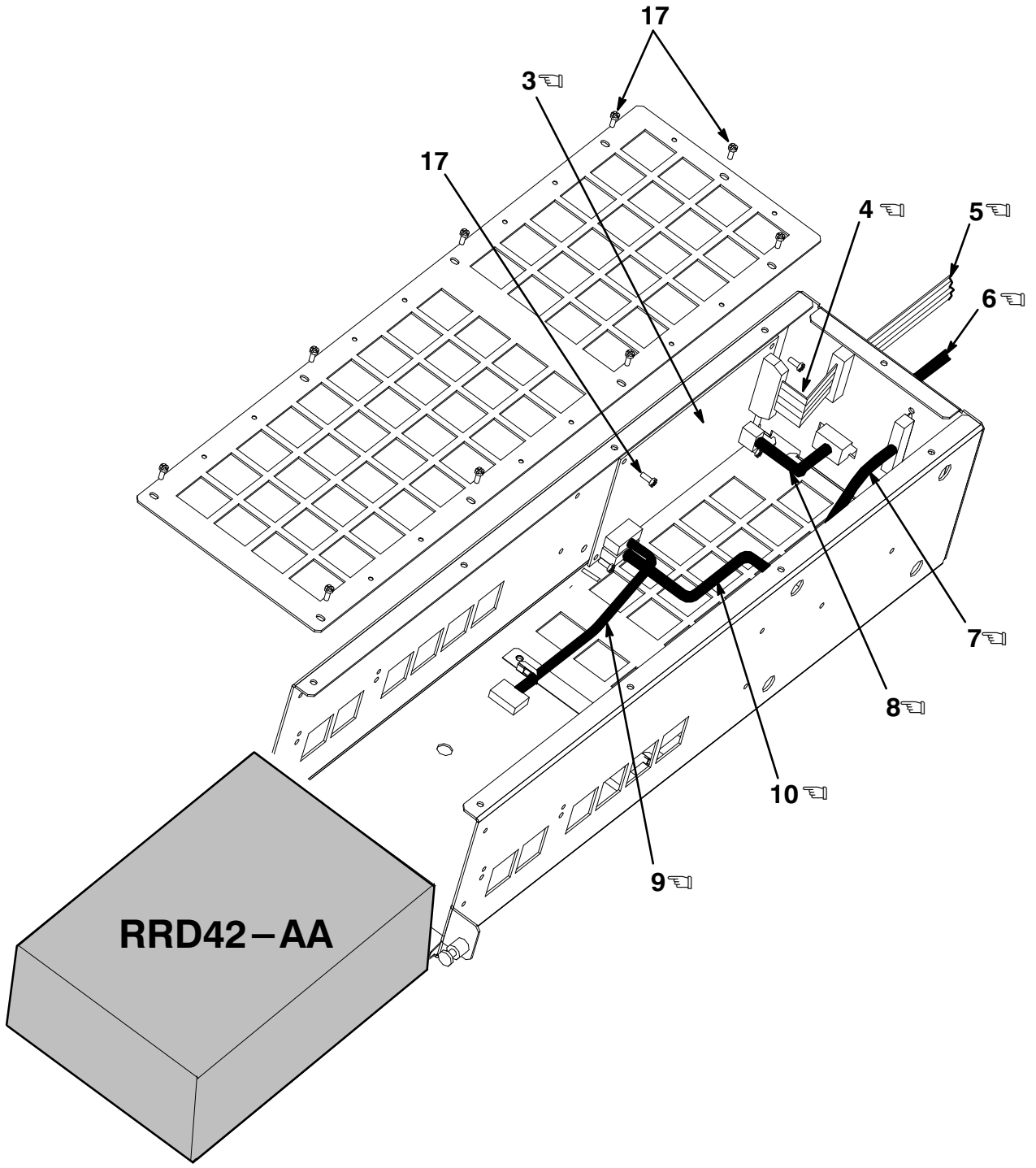
INDICATES FRU LEVEL PARTS.



DV700-06A-IL

Figure 6. Console Assembly (Sheet 2 of 4)

INDICATES FRU LEVEL PARTS.



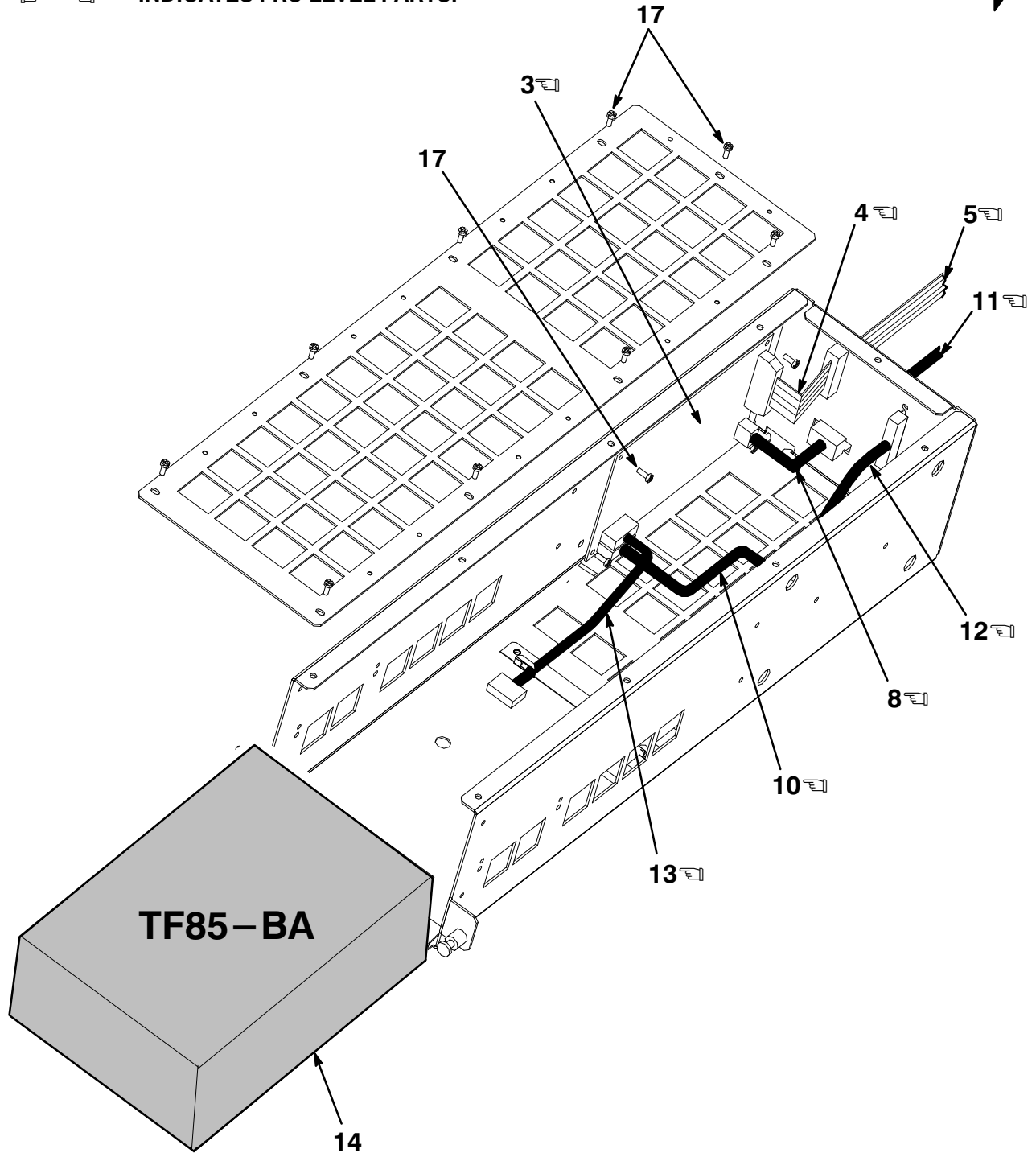
DV700-06B-IL

**Figure 6. Console Assembly (Sheet 3 of 4)  
(RRD42 Based Assembly)**



INDICATES FRU LEVEL PARTS.

PARTS LIST



DV700-06C-IL

**Figure 6. Console Assembly (Sheet 4 of 4)  
(TF85 Based Assembly)**

FIG. & ITEM NO.	DESCRIPTION	DEC PART NO.	ECO CUT-IN	USED ON CODE	REF FIG NO.
6-	CONSOLE ASSEMBLY	N/A			1
☞ 1	*Module, OCP	54-20306-01		AA, AB AC	
☞ 2	*Module, Cabinet Control Logic (CCL)	54-20300-01			
☞ 3	*Module, Local Disk Converter (LDC)	54-20868-01		AA, AB AC	
☞ 4	*Cable Assembly, 20 Conductor Ribbon Signal (Bulkhead to LDC)	17-03444-01		AA, AB AC	
☞ 5	*Cable Assembly, 20 Conductor Ribbon, (Bulkhead to CCL)	17-03123-01		AA, AB AC	
☞ 6	*Cable Assembly, External SCSI (BC19J-06)	17-03153-02		AA, AB AC	
☞ 7	*Cable Assembly, Internal SCSI, (RRD42 to Bulkhead)	17-03531-01		AA, AB AC	
☞ 8	*Cable Assembly, 02 Conductor Power, 18 AWG Mate-N-Lock (Bulkhead to LDC)	17-03443-01		AA, AB AC	
☞ 9	*Cable Assembly, Power (LDC to RRD42)	17-02440-01		AA, AB AC	
☞ 10	*Cable and Resistor Assembly	17-03530-01		AA, AB AC	
☞ 11	*Cable Assembly, External DSSI (BC21Q-09)	17-02382-02		AA, AB AC	
☞ 12	*Cable Assembly, 50 Conductor Round, DSSI Internal, (TF to Bulkhead)	17-03348-01		AA, AB AC	
☞ 13	*Cable Assembly, Power (LDC to TF85)	17-03164-01		AA, AB AC	
14	*DRIVE ASSEMBLY, TF85 TAPE	TF85-BA		AA, AB AC	
☞	**Drive Assembly, TK85-BX	TK85-BX			
☞	**Cable Assembly, 40 Pos Flat Signal	17-02613-01			
☞	**Module, TF85 Controller	54-19089-01			
15	*Key (Removeable)	74-43945-01		AA, AB AC	
16	*Screw, Sems M5, Pan Hd, 12mm (Qty. 5)	90-09984-18			
17	*Screw, Sems M3, Pan Hd, 6mm (Qty. 15)	90-09984-20			
☞ 18	*Cable Assembly, CCL to OCP	17-03120-01		AA, AB AC	
	CABLE ASSEMBLY (Not Shown)				
☞	*Cable Assembly, 02 Conductor Power, 18 AWG 48V (Bulkhead to DC Distribution Assembly)	17-03508-01			

THIS PAGE INTENTIONALLY LEFT BLANK



INDICATES FRU LEVEL PARTS.

PARTS LIST

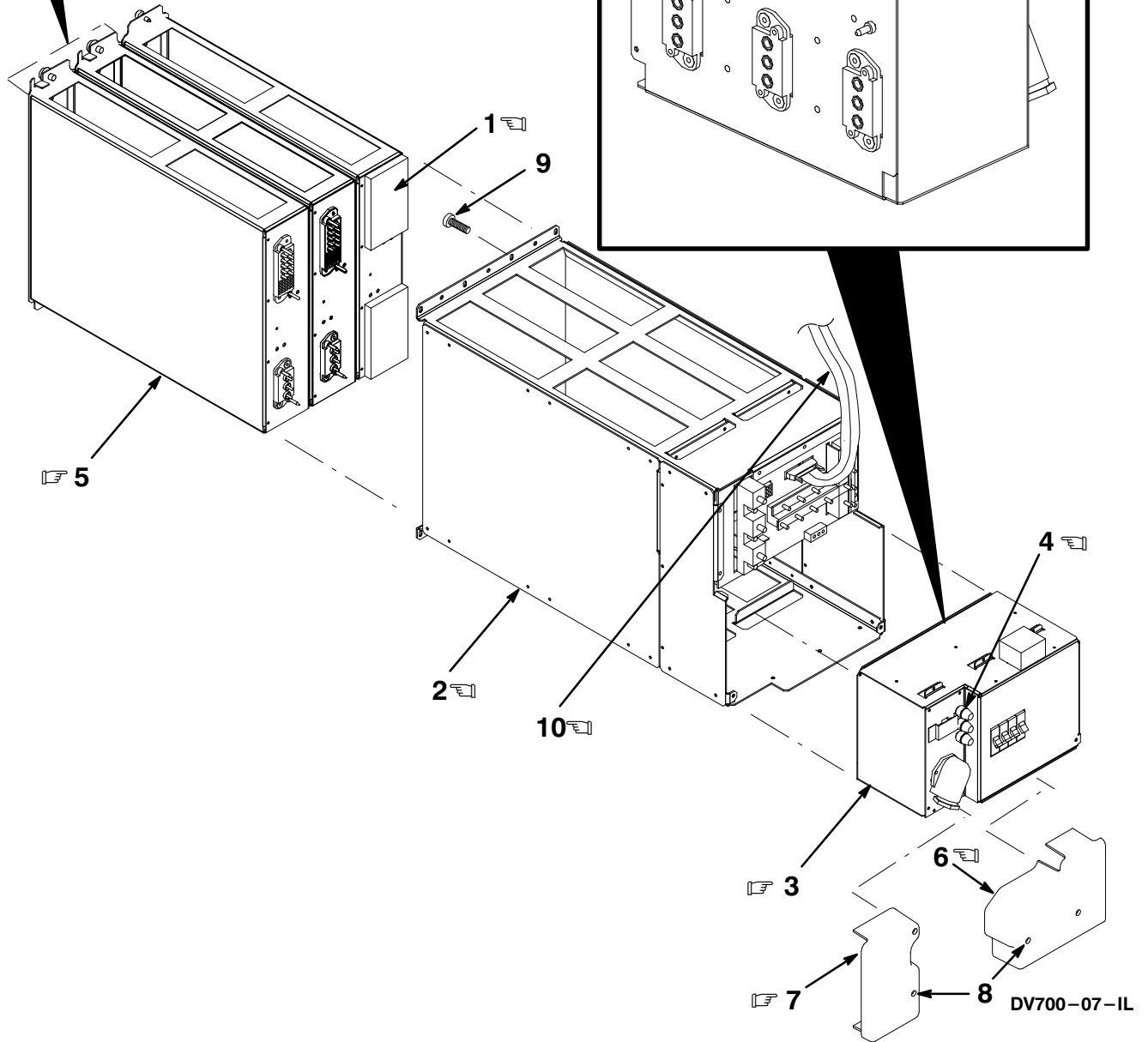
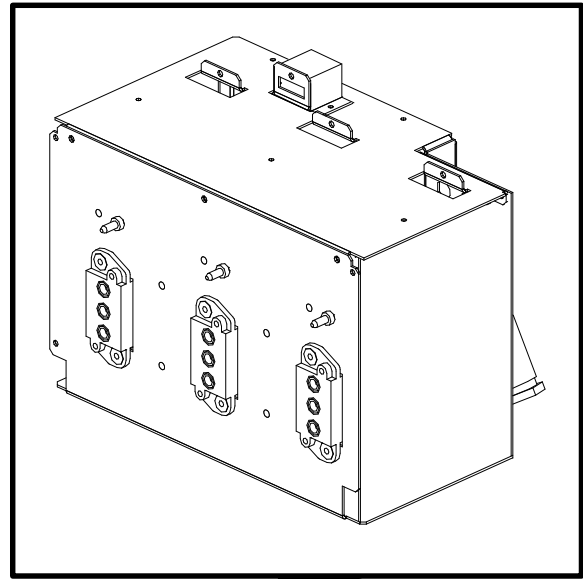
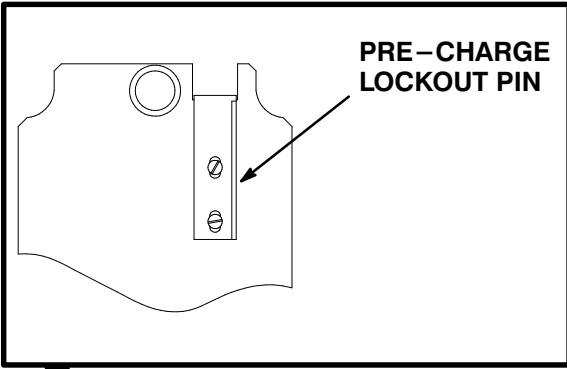
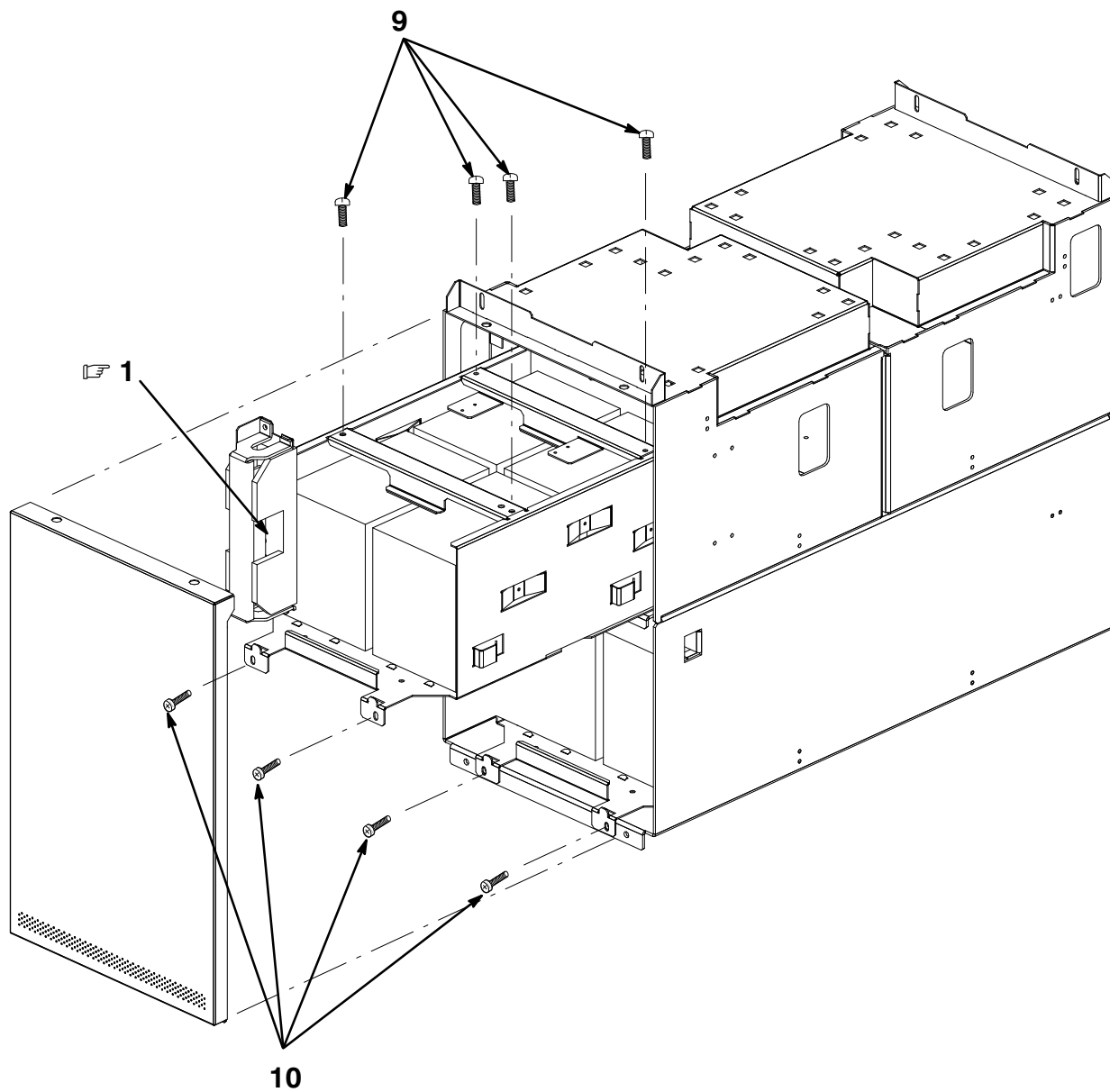


Figure 7. Power System Assembly (48V)

FIG. & ITEM NO.	DESCRIPTION	DEC PART NO.	ECO CUT-IN	USED ON CODE	REF FIG NO.
7-	POWER SYSTEM ASSEMBLY, 120VAC, 30A POWER SYSTEM ASSEMBLY, 240VAC, 16A	N/A N/A		AA, BA AB, AC BB, BC	1 1
☞ 1	*Module Assembly, Filler	70-29353-01			
☞ 2	*Distribution Assembly, DC	30-35143-01			
☞ 3	*Box, AC Input, 208VAC, 30A (U.S.)	30-33798-01		AA, BA	
☞	*Box, AC Input, 416VAC, 16A (Europe)	30-33798-02		AB, BB	
☞	*Box, AC Input, 202VAC, 30A (Japan)	30-33798-03		AC, BC	
☞ 4	*Fuse, Normal Blow, 5AG, 1.0A (Qty. 3)	12-17199-04			
☞ 5	*Regulator, Bulk (30-33796-01)	H7263-AA		AA, BA	
☞	*Regulator, Bulk (30-33796-02)	H7263-AB		AB, AC BB, BC	
☞ 6	*Cover, Bus, 48V	74-43615-01			
☞ 7	*Cover, Battery Bus	74-43614-01			
8	*Nut, Kep M5, 8mm (Qty. 4)	90-40148-02			
9	*Screw, Sems M5, Pan Hd, 12mm (Qty. 8)	90-09984-18			
☞ 10	*Cable Assembly, Power System to CCL	17-03124-01			

  INDICATES FRU LEVEL PARTS.



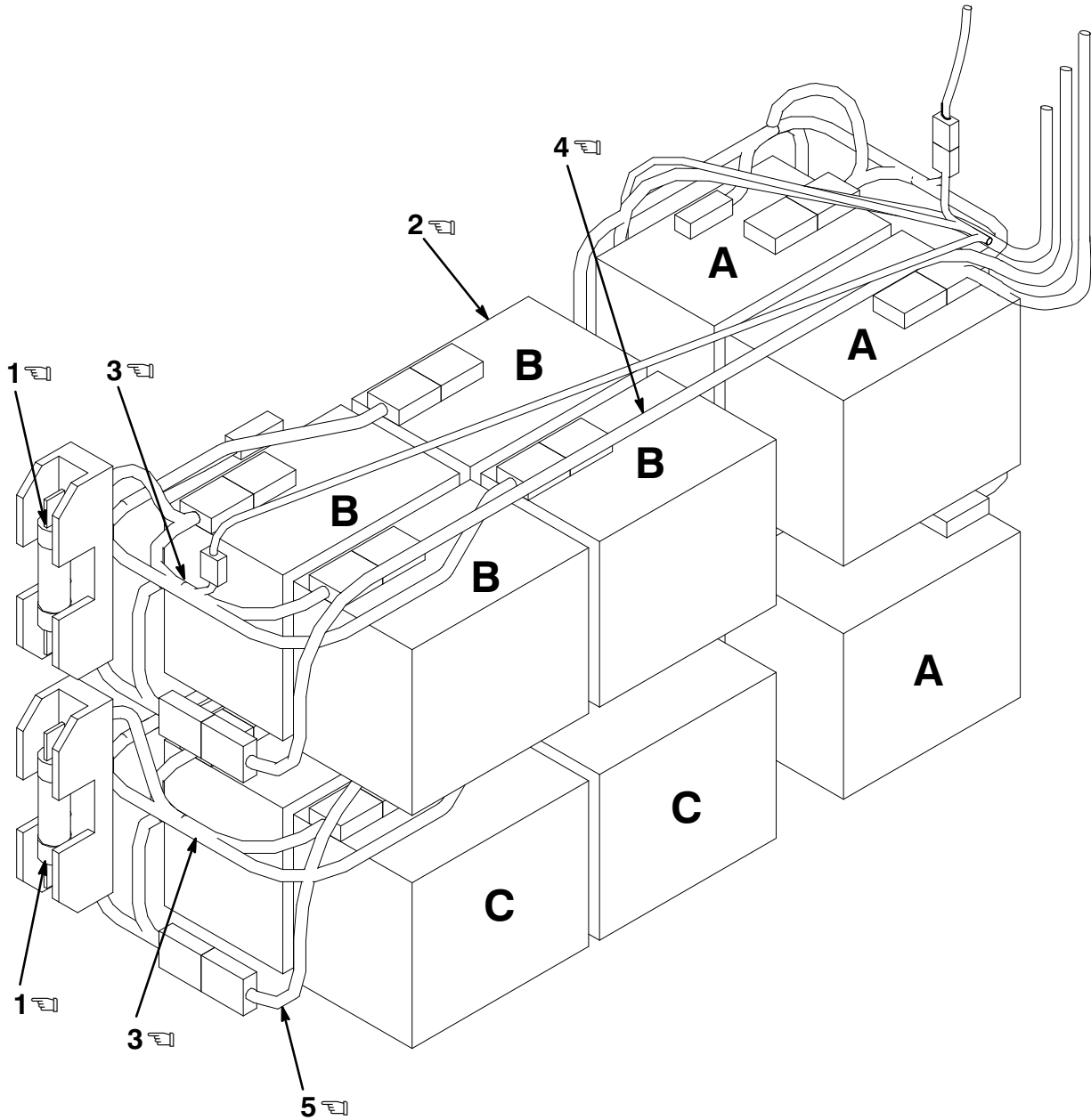
DV700-08-IL

**Figure 8. Battery Assembly (Sheet 1 of 3)**



INDICATES FRU LEVEL PARTS.

PARTS LIST

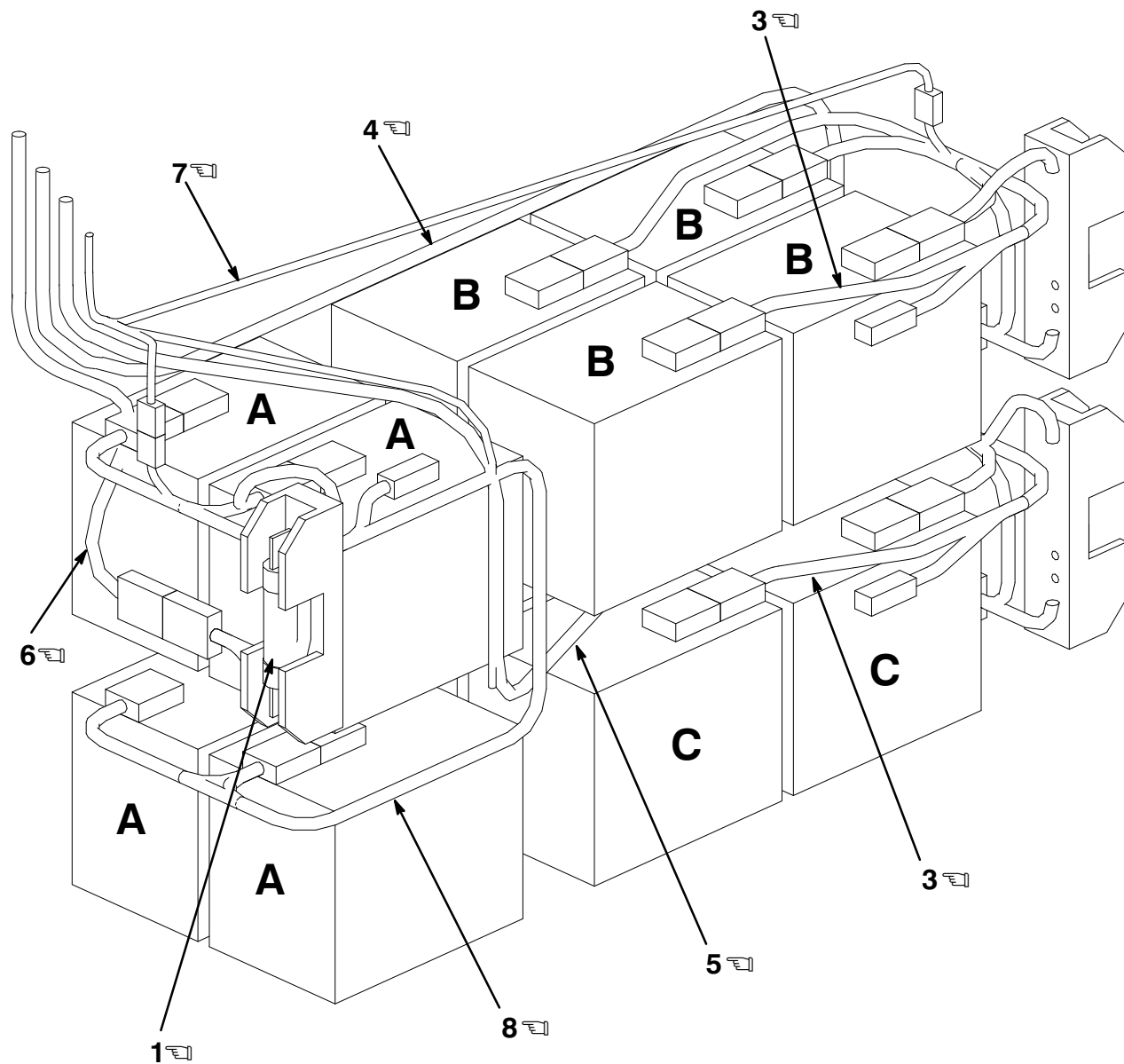


DV700-08A-IL

FRONT VIEW

Figure 8. Battery Assembly (Sheet 2 of 3)

INDICATES FRU LEVEL PARTS.



DV700-08B-IL

REAR VIEW

Figure 8. Battery Assembly (Sheet 3 of 3)

FIG. & ITEM NO.	DESCRIPTION	DEC PART NO. <sup>A</sup>	ECO CUT-IN H7237 00000	USED ON CODE	REF FIG NO.
8-	<b>BATTERY ASSEMBLY</b>	H7237-AA			1
☞ 1	*Fuse, Fast-Blow, 125V	12-39982-01			
☞ 2	*Battery Pack, Pb, 12V (Up to 12 locations) (See Note)	12-36168-02			
☞ 3	*Wire Harness Assembly, Power/Sensor	17-03493-01			
☞ 4	*Cable Assembly, Primary "B" 6AWG, 48V	17-03494-02			
☞ 5	*Cable Assembly, Primary "C" 6 AWG, 48V	17-03494-03			
☞ 6	*Cable Assembly, Multi-Conductor 6 AWG, 48V	17-03494-01			
☞ 7	*Cable Assembly, Multi-Gauge/Conductor	17-03421-01			
☞ 8	*Wire Harness Assembly, Power/Sensor, Rear PIU	17-03492-01			
9	*Screw, Sems M5, Hex Hd, 12mm (Qty. 12)	90-40218-01			
10	*Screw, Sems Pan Hd No. 6-32 x 9/16 (Qty. 4)	90-09984-01			
	<p>NOTE: H7238-AA consists of four Pb Battery Packs.</p>				Ω

**PART NUMBER/DESCRIPTION INDEX** 

**THIS PAGE INTENTIONALLY LEFT BLANK**

**INDEX BY DEC PART NUMBER**  
**DEC 7000/VAX 7000 Series System**

PART NO.	DESCRIPTION	FIG NO.	ITEM NO.
12-17199-04	Fuse, Normal Blow, 5AG, 1.0A (Qty. 3)	7	4
12-35173-01	FAN ASSEMBLY, 48VDC w/SERVO CONTROL	1	4
12-35550-01	Filter, Power, 48V DC, 25A	2	9
12-36168-02	Battery Pack, Pb, 12V (Up to 12 locations)	8	2
12-37452-01	Shield, EMI/RFI Screen	2	3
12-39982-01	Fuse, Fast-Blow, 125V	8	1
17-02382-02	Cable Assembly, External DSSI (BC21Q-09)	6	11
17-02440-01	Cable Assembly, Power (LDC to RRD42)	6	9
17-02613-01	Cable Assembly, 40 Pos Flat Signal	6	14
17-03061-01	Cable Assembly, Flat, Multi-Signal, Controlled Impedance	2	8
17-03120-01	Cable Assembly, CCL to OCP	6	18
17-03122-01	Cable Assembly, Flat 50 Conductor	5	2
17-03123-01	Cable Assembly, 20 Conductor Ribbon, (Bulkhead to CCL)	6	5
17-03124-01	Cable Assembly, Power System to CCL	7	10
17-03153-02	Cable Assembly, External SCSI (BC19J-06)	6	6
17-03162-01	Cable Assembly, Signal Ribbon	2	4
17-03163-01	Wire Harness Assembly, Power, 48V	2	5
17-03164-01	Cable Assembly, Power (LDC to TF85)	6	13
17-03202-01	Wire Harness Assembly, 16 and 14AWG	2	6
17-03348-01	Cable Assembly, 50 Conductor Round, DSSI Internal, (TF to Bulkhead)	6	12
17-03417-01	Cable Assembly, 10 Conductor Ribbon, (DCP to RF73)	3	4
17-03418-01	Cable Assembly, 02 Conductor Flat, 48V (From DCP to LDC)	3	8
17-03419-01	Cable Assembly, 20 Conductor Flat, 20 POS IDC	3	7
17-03420-01	Cable Assembly, (LDC to RF73 Power)	3	5
17-03421-01	Cable Assembly, Multi-Gauge/Conductor	8	7
17-03422-01	Cable Assembly, Multi-Conductor 18-20 AWG	3	2
17-03423-01	Cable Assembly, 04 Conductor, Discrete, 48V (B/H to DCP)	3	9
17-03424-01	Cable Assembly, 50 Conductor Round, Internal DSSI	3	6
17-03443-01	Cable Assembly, 02 Conductor Power, 18 AWG Mate-N-Lock (Bulkhead to LDC)	6	8
17-03444-01	Cable Assembly, 20 Conductor Ribbon Signal (Bulkhead to LDC)	6	4
17-03492-01	Wire Harness Assembly, Power/Sensor, Rear PIU	8	8
17-03493-01	Wire Harness Assembly, Power/Sensor	8	3
17-03494-01	Cable Assembly, Multi-Conductor 6 AWG, 48V	8	6
17-03494-02	Cable Assembly, Primary "B" 6 AWG, 48V	8	4
17-03494-03	Cable Assembly, Primary "C" 6 AWG, 48V	8	5
17-03508-01	Cable Assembly, 02 Conductor Power, 18 AWG, 48V (Bulkhead to DC Distribution Assembly)	6	Not Shown
17-03530-01	Cable and Resistor Assembly	6	10
17-03531-01	Cable Assembly, Internal SCSI, (RRD42 to Bulkhead)	6	7
17-03532-01	Cable Assembly, Power Signal	4	2
17-03533-01	Cable Assembly, Bulkhead to Signal Cable, Pigtail	2	7
30-33798-01	Box, AC Input, 208VAC, 30A (U.S.)	7	3
30-33798-02	Box, AC Input, 416VAC, 16A (Europe)	7	3
30-33798-03	Box, AC Input, 202VAC, 30A (Japan)	7	3
30-35143-01	Distribution Assembly, DC	7	2
30-36009-01	Converter, DC to DC 48V to 5V, 120A	2	15

**INDEX BY DEC PART NUMBER**  
DEC 7000/VAX 7000 Series System

PART NO.	DESCRIPTION	FIG NO.	ITEM NO.
30-36010-01	Converter, DC to DC 48V to Multi O/P, 136W	2	14
54-19089-01	Module, TF85 Controller	6	14
54-19119-01	Module, Interface	3	3
54-20300-01	Module, Cabinet Control Logic (CCL)	1	8
54-20300-01	Module, Cabinet Control Logic (CCL)	6	2
54-20306-01	Module, OCP	6	1
54-20868-01	Module, Local Disk Converter (LDC)	3	11
54-20868-01	Module, Local Disk Converter (LDC)	6	3
54-21664-01	Module, Disk Control Panel (DCP)	3	10
70-28574-02	BOX ASSEMBLY	1	3
70-28574-02	BOX ASSEMBLY	5	N/A
70-28582-01	Door Assembly, Front (CPU Cabinet)	1	2
70-28587-01	COVER ASSEMBLY, TOP	1	1
70-28588-01	Panel Assembly, Control (CPU Cab Only)	1	5
70-28589-01	Drive Assembly, Tape (CPU Cab Only)	1	6
70-28814-01	Mechanics Assembly, HDA	3	3
70-29329-01	Door Assembly, X-PIU Front	2	2
70-29348-01	Filler Assembly, Module	5	1
70-29353-01	Module Assembly, Filler	7	1
70-29936-01	D-PIU ASSEMBLY	3	1
70-30373-01	Door Assembly, Front (Expander Cabinet)	1	2
70-30380-01	S-PIU Assembly	4	1
70-30396-01	X-PIU ASSEMBLY	2	1
74-43614-01	Cover, Battery Bus	7	7
74-43615-01	Cover, Bus, 48V	7	6
74-43945-01	Key (Removeable)	6	15
90-09984-01	Screw, Sems Pan Hd No. 6-32 x 9/16 (Qty. 4)	8	10
90-09984-07	Screw, Sems Pan Hd No. 6-32 x 5/16 (Qty. 45)	2	11
90-09984-18	Screw, Sems M5, Pan Hd, 12mm (Qty. 1)	1	1
90-09984-18	Screw, Sems M5, Pan Hd, 12mm (Qty. 10)	1	3
90-09984-18	Screw, Sems M5, Pan Hd, 12mm (Qty. 10)	5	7
90-09984-18	Screw, Sems M5, Pan Hd, 12mm (Qty. 12)	1	4
90-09984-18	Screw, Sems M5, Pan Hd, 12mm (Qty. 2)	1	10
90-09984-18	Screw, Sems M5, Pan Hd, 12mm (Qty. 2)	1	11
90-09984-18	Screw, Sems M5, Pan Hd, 12mm (Qty. 2)	1	12
90-09984-18	Screw, Sems M5, Pan Hd, 12mm (Qty. 5)	6	16
90-09984-18	Screw, Sems M5, Pan Hd, 12mm (Qty. 8)	1	9
90-09984-18	Screw, Sems M5, Pan Hd, 12mm (Qty. 8)	7	9
90-09984-20	Screw, Sems M3, Pan Hd, 6mm (Qty. 15)	6	17
90-09984-20	Screw, Sems, M3 Pan Hd, 6mm (Qty. 12)	3	14
90-10556-09	Screw, Mach, M3.5 Pan Hd, 8mm (Qty. 12)	3	12
90-40122-04	Screw, Mach, M3 Flat Hd, 12mm (Qty. 4)	3	13
90-40133-02	Nut, Hex M3.5 (Qty. 2)	2	10
90-40148-02	Nut, Kep M5, 8mm (Qty. 4)	7	8
90-40218-01	Screw, Sems M5, Hex Hd, 12mm (Qty. 12)	8	9
BA350-SA	Shelf, Storm, SCSI (Includes One BA35X-HB)	4	4
BA35X-HB	Power Supply (One each per installed shelf.)	4	3
BA651-AA	X-PIU ASSEMBLY	1	10
BA651-AA	X-PIU ASSEMBLY	2	N/A
BA654-AA	D-PIU ASSEMBLY	1	11
BA654-AA	D-PIU ASSEMBLY	3	N/A

**INDEX BY DEC PART NUMBER**  
**DEC 7000/VAX 7000 Series System**

PART NO.	DESCRIPTION	FIG NO.	ITEM NO.
BA655-AA	S-PIU ASSEMBLY	1	12
BA655-AA	S-PIU ASSEMBLY	4	N/A
E2040-AA	Module, ALPHA CPU, 4 MB	5	4
E2043-AA	Module, Memory, 64 MB	5	5
E2043-BA	Module, Memory, 128 MB	5	5
E2043-CA	Module, Memory, 256 MB	5	5
E2044-AA	Module, IOP	5	6
E2045-AA	Module, NVAX CPU, 4 MB	5	3
E2056-AA	Module, Memory, 512 MB	5	5
H7237-AA	BATTERY ASSEMBLY	8	N/A
H7263-AA	Regulator, Bulk (30-33796-01)	7	5
H7263-AB	Regulator, Bulk (30-33796-02)	7	5
H9F00-AA	Model H9F00-AA, CPU Cabinet, 208V (U.S.)	1	N/A
H9F00-AB	Model H9F00-AB, CPU Cabinet, 416V (Europe)	1	N/A
H9F00-AC	Model H9F00-AC, CPU Cabinet, 202V (Japan)	1	N/A
H9F00-BA	Model H9F00-BA, Expander Cabinet, 208V (U.S.)	1	N/A
H9F00-BB	Model H9F00-BB, Expander Cabinet, 416V (Europe)	1	N/A
H9F00-BC	Model H9F00-BC, Expander Cabinet, 202V (Japan)	1	N/A
RF73-EA	Disk Drive, 5 1/4 Inch DSSI, 2.0 GB	3	3
RZ26-VA	Disk Drive, SCSI, 1 GB, 3 1/2 Inch	4	5
SF73-LA	DSSI STORAGE ARRAY	3	3
T2028-AA	Module, Laser to XMI Interface	2	13
T2030-YA	Module, Clock plus Arbitration	2	12
TF85-BA	DRIVE ASSEMBLY, TF85 TAPE	6	14
TK85-BX	Drive Assembly, TK85-BX	6	14
TLZ06-VA	Tape Drive, SCSI, 4 GB, 3 1/2 Inch	4	6

**INDEX BY DEC PART NUMBER**  
**DEC 7000/VAX 7000 Series System**

<b>PART NO.</b>	<b>DESCRIPTION</b>	<b>FIG NO.</b>	<b>ITEM NO.</b>
-----------------	--------------------	--------------------	---------------------

---

**THIS PAGE INTENTIONALLY LEFT BLANK**

# INDEX BY DEC PART DESCRIPTION

DEC 7000/VAX 7000 Series System

DESCRIPTION	DEC PART NO.	FIG. NO.	ITEM NO.
<b>BATTERY ASSEMBLY</b>	H7237-AA	8	N/A
Battery Pack, Pb, 12V (Up to 12 locations)	12-36168-02	8	2
Box, AC Input, 202VAC, 30A (Japan)	30-33798-03	7	3
Box, AC Input, 208VAC, 30A (U.S.)	30-33798-01	7	3
Box, AC Input, 416VAC, 16A (Europe)	30-33798-02	7	3
<b>BOX ASSEMBLY</b>	70-28574-02	1	3
<b>BOX ASSEMBLY</b>	70-28574-02	5	N/A
<b>CABINET ASSEMBLY</b>	N/A	1	N/A
Cable Assembly, (LDC to RF73 Power)	17-03420-01	3	5
Cable Assembly, 02 Conductor Flat, 48V (From DCP to LDC)	17-03418-01	3	8
Cable Assembly, 02 Conductor Power, 18 AWG Mate-N-Lock (Bulkhead to LDC)	17-03443-01	6	8
Cable Assembly, 02 Conductor Power, 18 AWG, 48V (Bulkhead to DC Distribution Assembly)	17-03508-01	6	Not Shown
Cable Assembly, 04 Conductor, Discrete, 48V (B/H to DCP)	17-03423-01	3	9
Cable Assembly, 10 Conductor Ribbon, (DCP to RF73)	17-03417-01	3	4
Cable Assembly, 20 Conductor Flat, 20 POS IDC	17-03419-01	3	7
Cable Assembly, 20 Conductor Ribbon Signal (Bulkhead to LDC)	17-03444-01	6	4
Cable Assembly, 20 Conductor Ribbon, (Bulkhead to CCL)	17-03123-01	6	5
Cable Assembly, 40 Pos Flat Signal	17-02613-01	6	14
Cable Assembly, 50 Conductor Round, DSSI Internal (TF to Bulkhead)	17-03348-01	6	12
Cable Assembly, 50 Conductor Round, Internal DSSI	17-03424-01	3	6
Cable Assembly, Bulkhead to Signal Cable, Pigtail	17-03533-01	2	7
Cable Assembly, CCL to OCP	17-03120-01	6	18
Cable Assembly, External DSSI (BC21Q-09)	17-02382-02	6	11
Cable Assembly, External SCSI (BC19J-06)	17-03153-02	6	6
Cable Assembly, Flat 50 Conductor	17-03122-01	5	2
Cable Assembly, Flat, Multi-Signal, Controlled Impedance	17-03061-01	2	8
Cable Assembly, Internal SCSI, (RRD42 to Bulkhead)	17-03531-01	6	7
Cable Assembly, Multi-Conductor 18-20 AWG	17-03422-01	3	2
Cable Assembly, Multi-Conductor 6 AWG, 48V	17-03494-01	8	6
Cable Assembly, Multi-Gauge/Conductor	17-03421-01	8	7
Cable Assembly, Power (LDC to RRD42)	17-02440-01	6	9
Cable Assembly, Power (LDC to TF85)	17-03164-01	6	13
Cable Assembly, Power Signal	17-03532-01	4	2
Cable Assembly, Power System to CCL	17-03124-01	7	10
Cable Assembly, Primary "B" 6 AWG, 48V	17-03494-02	8	4
Cable Assembly, Primary "C" 6 AWG, 48V	17-03494-03	8	5
Cable Assembly, Signal Ribbon	17-03162-01	2	4
Cable and Resistor Assembly	17-03530-01	6	10
<b>CONSOLE ASSEMBLY</b>	N/A	1	7
<b>CONSOLE ASSEMBLY</b>	N/A	6	N/A
Converter, DC to DC 48V to 5V, 120A	30-36009-01	2	15
Converter, DC to DC 48V to Multi O/P, 136W	30-36010-01	2	14
<b>COVER ASSEMBLY, TOP</b>	70-28587-01	1	1
Cover, Battery Bus	74-43614-01	7	7
Cover, Bus, 48V	74-43615-01	7	6
<b>D-PIU ASSEMBLY</b>	70-29936-01	3	1
<b>D-PIU ASSEMBLY</b>	BA654-AA	1	11
<b>D-PIU ASSEMBLY</b>	BA654-AA	3	N/A
<b>DRIVE ASSEMBLY, TF85 TAPE</b>	TF85-BA	6	14

# INDEX BY DEC PART DESCRIPTION

DEC 7000/VAX 7000 Series System

DESCRIPTION	DEC PART NO.	FIG. NO.	ITEM NO.
Disk Drive, 5 1/4 Inch DSSI, 2.0 GB	RF73-EA	3	3
Disk Drive, SCSI, 1 GB, 3 1/2 Inch	RZ26-VA	4	5
Distribution Assembly, DC	30-35143-01	7	2
Door Assembly, Front (CPU Cabinet)	70-28582-01	1	2
Door Assembly, Front (Expander Cabinet)	70-30373-01	1	2
Door Assembly, X-PIU Front	70-29329-01	2	2
Drive Assembly, TK85-BX	TK85-BX	6	14
Drive Assembly, Tape (CPU Cab Only)	70-28589-01	1	6
DSSI STORAGE ARRAY	SF73-LA	3	3
FAN ASSEMBLY, 48VDC w/SERVO CONTROL	12-35173-01	1	4
Filler Assembly, Module	70-29348-01	5	1
Filter, Power, 48V DC, 25A	12-35550-01	2	9
Fuse, Fast-Blow, 125V	12-39982-01	8	1
Fuse, Normal Blow, 5AG, 1.0A (Qty. 3)	12-17199-04	7	4
Key (Removeable)	74-43945-01	6	15
Mechanics Assembly, HDA	70-28814-01	3	3
Model H9F00-AA, CPU Cabinet, 208V (U.S.)	H9F00-AA	1	N/A
Model H9F00-AB, CPU Cabinet, 416V (Europe)	H9F00-AB	1	N/A
Model H9F00-AC, CPU Cabinet, 202V (Japan)	H9F00-AC	1	N/A
Model H9F00-BA, Expander Cabinet, 208V (U.S.)	H9F00-BA	1	N/A
Model H9F00-BB, Expander Cabinet, 416V (Europe)	H9F00-BB	1	N/A
Model H9F00-BC, Expander Cabinet, 202V (Japan)	H9F00-BC	1	N/A
Module Assembly, Filler	70-29353-01	7	1
Module, ALPHA CPU, 4 MB	E2040-AA	5	4
Module, Cabinet Control Logic (CCL)	54-20300-01	1	8
Module, Cabinet Control Logic (CCL)	54-20300-01	6	2
Module, Clock plus Arbitration	T2030-YA	2	12
Module, Disk Control Panel (DCP)	54-21664-01	3	10
Module, IOP	E2044-AA	5	6
Module, Interface	54-19119-01	3	3
Module, Laser to XMI Interface	T2028-AA	2	13
Module, Local Disk Converter (LDC)	54-20868-01	3	11
Module, Local Disk Converter (LDC)	54-20868-01	6	3
Module, Memory, 128 MB	E2043-BA	5	5
Module, Memory, 256 MB	E2043-CA	5	5
Module, Memory, 512 MB	E2056-AA	5	5
Module, Memory, 64 MB	E2043-AA	5	5
Module, NVAX CPU, 4 MB	E2045-AA	5	3
Module, OCP	54-20306-01	6	1
Module, TF85 Controller	54-19089-01	6	14
Nut, Hex M3.5 (Qty. 2)	90-40133-02	2	10
Nut, Kep M5, 8mm (Qty. 4)	90-40148-02	7	8
Panel Assembly, Control (CPU Cab Only)	70-28588-01	1	5
Power Supply (One each per installed shelf.)	BA35X-HB	4	3
POWER SYSTEM ASSEMBLY, 120VAC, 30A	N/A	7	N/A
POWER SYSTEM ASSEMBLY, 240VAC, 16A	N/A	7	N/A
Regulator, Bulk (30-33796-01)	H7263-AA	7	5
Regulator, Bulk (30-33796-02)	H7263-AB	7	5

# INDEX BY DEC PART DESCRIPTION

DEC 7000/VAX 7000 Series System

DESCRIPTION	DEC PART NO.	FIG. NO.	ITEM NO.
S-PIU ASSEMBLY	BA655-AA	1	12
S-PIU ASSEMBLY	BA655-AA	4	N/A
S-PIU Assembly	70-30380-01	4	1
Screw, Mach, M3 Flat Hd, 12mm (Qty. 4)	90-40122-04	3	13
Screw, Mach, M3.5 Pan Hd, 8mm (Qty. 12)	90-10556-09	3	12
Screw, Sems M3, Pan Hd, 6mm (Qty. 15)	90-09984-20	6	17
Screw, Sems M5, Hex Hd, 12mm (Qty. 12)	90-40218-01	8	9
Screw, Sems M5, Pan Hd, 12mm (Qty. 1)	90-09984-18	1	1
Screw, Sems M5, Pan Hd, 12mm (Qty. 10)	90-09984-18	1	3
Screw, Sems M5, Pan Hd, 12mm (Qty. 10)	90-09984-18	5	7
Screw, Sems M5, Pan Hd, 12mm (Qty. 12)	90-09984-18	1	4
Screw, Sems M5, Pan Hd, 12mm (Qty. 2)	90-09984-18	1	10
Screw, Sems M5, Pan Hd, 12mm (Qty. 2)	90-09984-18	1	11
Screw, Sems M5, Pan Hd, 12mm (Qty. 2)	90-09984-18	1	12
Screw, Sems M5, Pan Hd, 12mm (Qty. 5)	90-09984-18	6	16
Screw, Sems M5, Pan Hd, 12mm (Qty. 8)	90-09984-18	1	9
Screw, Sems M5, Pan Hd, 12mm (Qty. 8)	90-09984-18	7	9
Screw, Sems Pan Hd No. 6-32 x 5/16 (Qty. 45)	90-09984-07	2	11
Screw, Sems Pan Hd No. 6-32 x 9/16 (Qty. 4)	90-09984-01	8	10
Screw, Sems, M3 Pan Hd, 6mm (Qty. 12)	90-09984-20	3	14
Shelf, Storm, SCSI (Includes One BA35X-HB)	BA350-SA	4	4
Shield, EMI/RFI Screen	12-37452-01	2	3
Tape Drive, SCSI, 4 GB, 3 1/2 Inch	TLZ06-VA	4	6
Wire Harness Assembly, 16 and 14AWG	17-03202-01	2	6
Wire Harness Assembly, Power, 48V	17-03163-01	2	5
Wire Harness Assembly, Power/Sensor	17-03493-01	8	3
Wire Harness Assembly, Power/Sensor, Rear PIU	17-03492-01	8	8
X-PIU ASSEMBLY	70-30396-01	2	1
X-PIU ASSEMBLY	BA651-AA	1	10
X-PIU ASSEMBLY	BA651-AA	2	N/A

**INDEX BY DEC PART DESCRIPTION**

DEC 7000/VAX 7000 Series System

DESCRIPTION	DEC PART NO.	FIG. NO.	ITEM NO.
-------------	-----------------	-------------	-------------

---

**THIS PAGE INTENTIONALLY LEFT BLANK**

# READER'S COMMENTS

DEC 7000 Series System  
VAX 7000 Series System  
Illustrated Parts Breakdown  
EK-DV700-IP .A01

## 1. How did you use this manual? (Circle your response.)

- (a) Installation                      (c) Maintenance                      (e) Training  
(b) Operation/Use                      (d) Programming                      (f) Other (Please specify) \_\_\_\_\_

## 2. Did the manual meet your needs? Yes No Why? \_\_\_\_\_

## 3. Please rate the manual on the following categories. (Circle your response.)

	Excellent	Good	Fair	Poor	Unacceptable
Accuracy	5	4	3	2	1
Clarity	5	4	3	2	1
Completeness	5	4	3	2	1
Illustrations, examples	5	4	3	2	1
Overall ease of use	5	4	3	2	1
Table of Content, Index	5	4	3	2	1

## 4. What things did you like *most* about this manual? \_\_\_\_\_

## 5. What things did you like *least* about this manual? \_\_\_\_\_

## 6. Please list and describe any errors you found in the manual.

Page	Description/Location of Error
_____	_____
_____	_____
_____	_____
_____	_____

## 7. Which of the following most clearly describes your job ? (Circle your response.)

- (a) Administrative Support                      (e) System Manager                      (i) Education/Trainer  
(b) Manager/Supervisor                      (f) Computer Operator                      (j) Sales/Marketing  
(c) Scientist/Engineer                      (g) Software Support                      (k) Other (Please specify) \_\_\_\_\_  
(d) Programmer/Analyst                      (h) Hardware Support

### OPTIONAL INFORMATION

Name \_\_\_\_\_ Job Title \_\_\_\_\_

Street \_\_\_\_\_ Company \_\_\_\_\_

City \_\_\_\_\_ Department \_\_\_\_\_

State/Country \_\_\_\_\_ Telephone Number \_\_\_\_\_

Postal (ZIP) Code \_\_\_\_\_ Date \_\_\_\_\_

### THANK YOU FOR YOUR COMMENTS AND SUGGESTIONS.

Please do not use this form to order manuals. Contact your representative at Digital Equipment Corporation or (in the USA) call our DECdirect™ department at this toll-free number : 800-344-4825