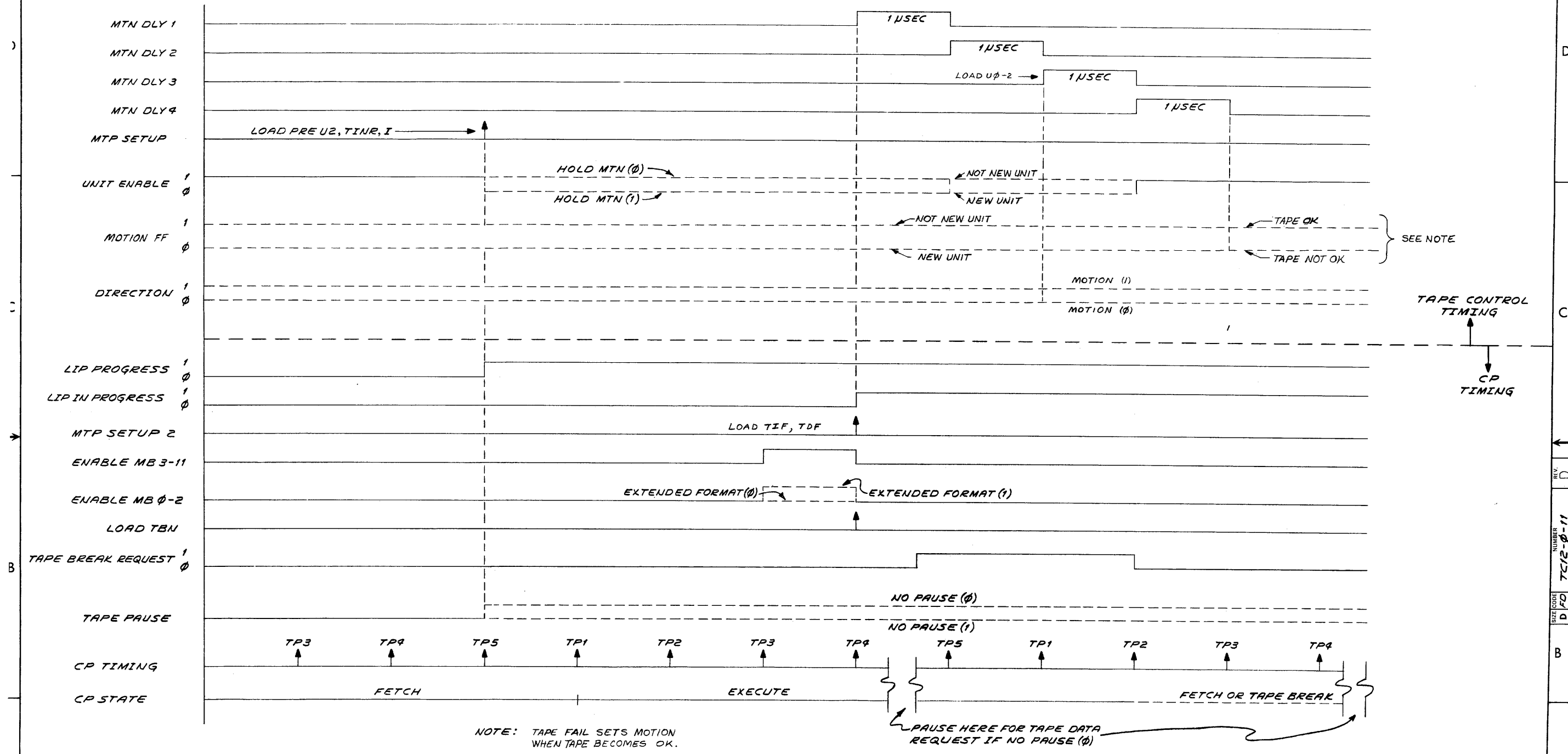


The drawing and specifications herein are the property of Digital Equipment Corporation and shall not be reproduced or copied or used in whole or in part as the basis for the manufacture or sale of items without written permission.

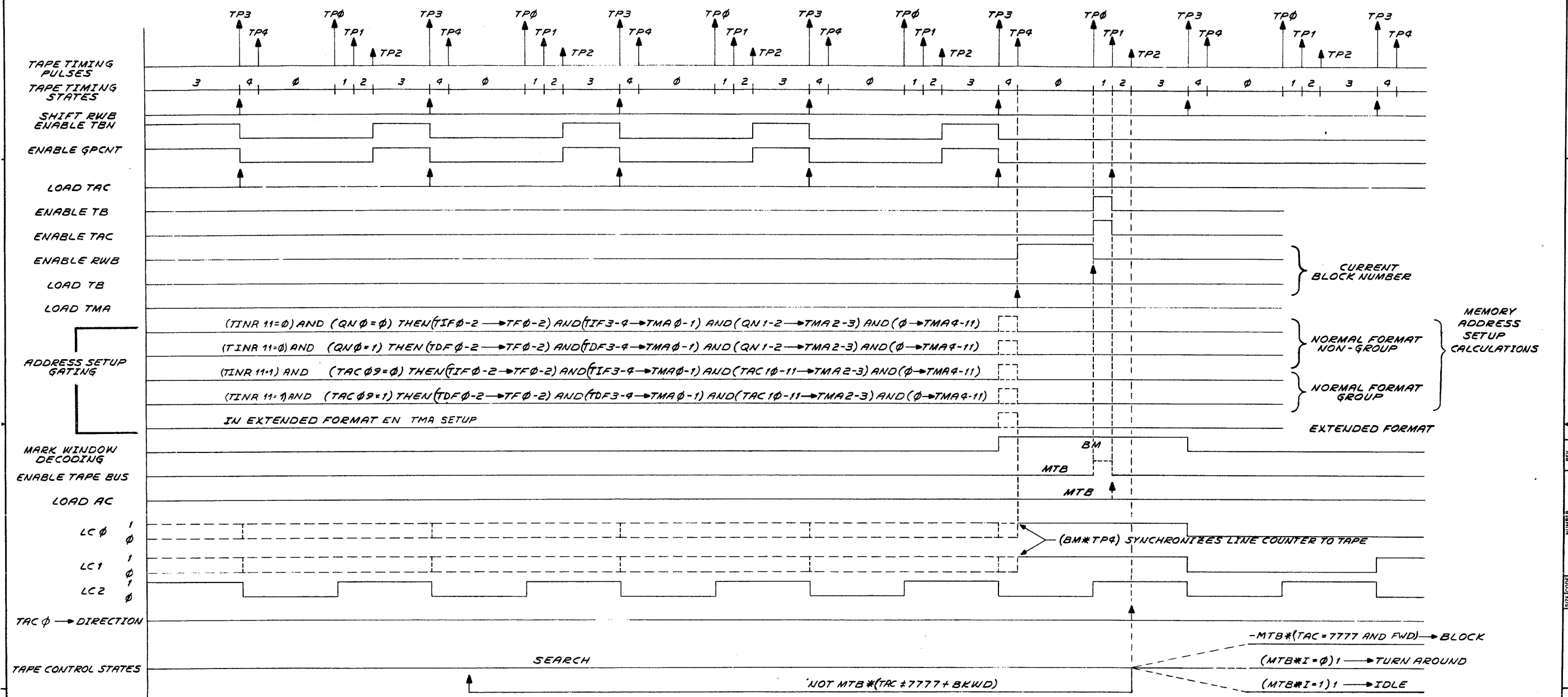


REV.	CHG. NO.	DATE	BY	APP.
A	0000 2	6/18/69	L. GALE	
B	M12-00003	6/24/69	L. GALE	
C	M12-00015	8/1/69	L. GALE	
D	M12-00017	11/5/69	L. GALE	

QTY.	DESCRIPTION	PART NO.	ITEM NO.
PARTS LIST			
UNLESS OTHERWISE SPECIFIED		digital EQUIPMENT CORPORATION MAYNARD, MASSACHUSETTS	
DRN. 11-24-68	DATE 2/2/69	TITLE LINC TAPE INST SETUP TIMING	
CHG. NO. 6-6-69	DATE 2-18-69	SCALE D FD TC12-0-11	
ENG. [Signature]	DATE 2-18-69	REV. D	
PROJ. ENG. [Signature]	DATE 2-18-69	SHEET 1 OF 1	
PROD. [Signature]	DATE 2/18/69	DIST.	

DEC FORM NO. DRD 102A

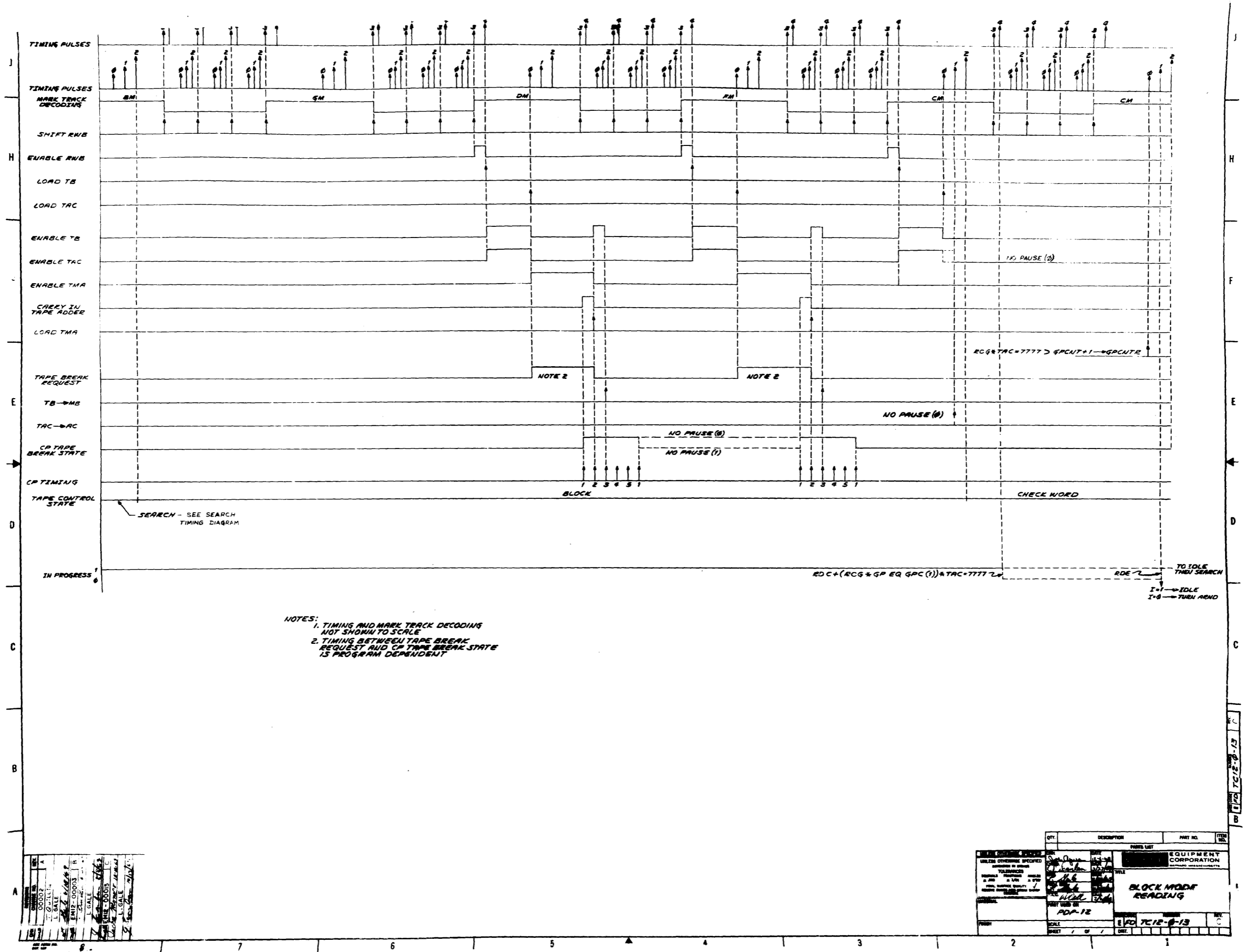
This drawing and specifications, herein, are the property of Digital Equipment Corporation and shall not be reproduced or copied or used in whole or in part as the basis for the manufacture or sale of items without written permission.



NOTE: TIMING NOT SHOWN TO SCALE. TP0 & TP3 ARE DERIVED FROM ZERO CROSSINGS OF TAPE TIMING TRACK. TP0 & TP3 ARE SEPARATED BY APPROXIMATELY 15 USEC. TTS1, TTS2, TTS4 ARE EACH 0.5 USEC.

REV.	CHG. NO.	DATE	BY
A	00002	11/25/68	T. GULLIN
B	00003	1/18/69	L. GALE
C	00015	8/1/69	L. GALE
		10/17/69	L. GALE

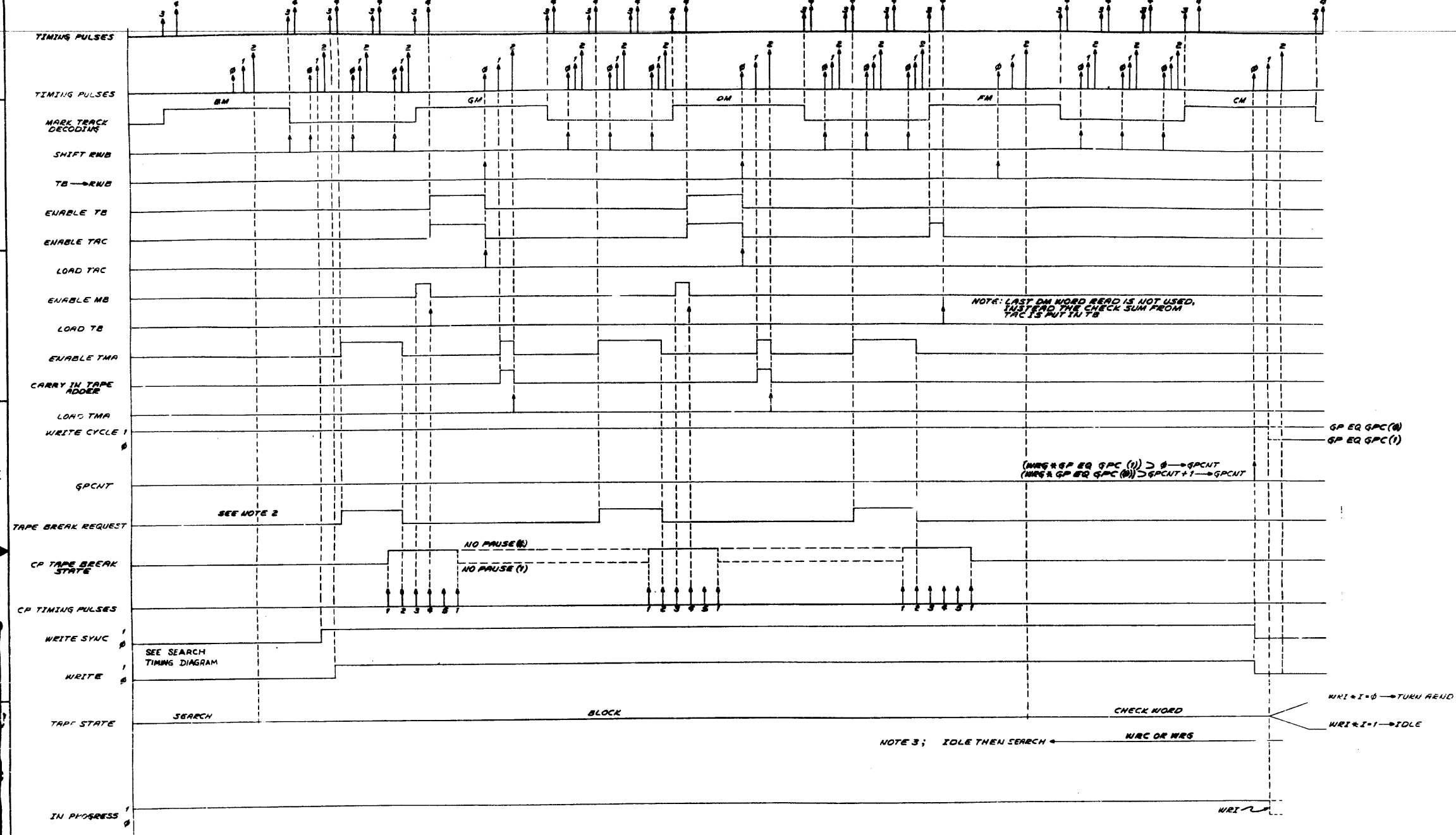
UNLESS OTHERWISE SPECIFIED	DRN.	DATE	11-25-68
UNLESS OTHERWISE SPECIFIED	CHKD.	DATE	2/2/69
DIMENSION IN INCHES	ENG.	DATE	
TOLERANCES	PROJ. ENG.	DATE	
DECIMALS = .005	PRODY.	DATE	
FRACTIONS = 1/64			
ANGLES = 0°30'			
FINAL SURFACE QUALITY			
REMOVE BURRS AND BREAK SHARP CORNERS			
MATERIAL	FIRST USED ON	TC12	
FINISH	SCALE	SHEET 1 OF 1	
PARTS LIST		SIZE CODE	NUMBER
digital EQUIPMENT CORPORATION		D FD	TC12-0-12
MAYNARD, MASSACHUSETTS		DIST.	
TITLE		REV.	C
SEARCH TIMING			



0001	0002	0003	0004	0005	0006	0007	0008	0009	0010
0011	0012	0013	0014	0015	0016	0017	0018	0019	0020
0021	0022	0023	0024	0025	0026	0027	0028	0029	0030
0031	0032	0033	0034	0035	0036	0037	0038	0039	0040
0041	0042	0043	0044	0045	0046	0047	0048	0049	0050
0051	0052	0053	0054	0055	0056	0057	0058	0059	0060
0061	0062	0063	0064	0065	0066	0067	0068	0069	0070
0071	0072	0073	0074	0075	0076	0077	0078	0079	0080
0081	0082	0083	0084	0085	0086	0087	0088	0089	0090
0091	0092	0093	0094	0095	0096	0097	0098	0099	0100

QTY.	DESCRIPTION	PART NO.	ITEM NO.
	EQUIPMENT CORPORATION		
	BLOCK MODIF READING		
	PART NO. 12		
	SCALE		
	SHEET / OF /		
	DATE		

DO NOT SCALE



NOTES:
 1. TIMING AND MARK TRACK DECODING NOT SHOWN TO SCALE.
 2. TIMING BETWEEN TAPE BREAK REQUEST AND CP TAPE BREAK STATE IS PROGRAM DEPENDENT.
 3. PERFORMS CHECK PHASE WHEN WRITE CYCLE GOES TO ZERO.

REV	DESCRIPTION	DATE
1	00002	7-20-54
2	00003	7-20-54
3	00004	7-20-54
4	00005	7-20-54

UNLESS OTHERWISE SPECIFIED DIMENSIONS IN INCHES TOLERANCES FRACTIONS DECIMALS ±.001 ±.002 ±.005 FINISH SURFACE QUALITY UNLESS OTHERWISE SPECIFIED SEE DRAWING AND BREAK MARK DIMENSIONS	DATE 11-2-54 BY J. H. [Signature] CHECKED J. H. [Signature] APPROVED J. H. [Signature]	DESCRIPTION BLOCK MODE WRITE	PART NO. EQUIMENT CORPORATION
SCALE 1/2" = 1"	DRW NO. EQUIMENT CORPORATION	REV. C	DATE 7-20-54

This drawing and specifications, herein, are the property of Digital Equipment Corporation and shall not be reproduced, stored, copied, or used, in whole or in part, as the basis for the manufacture or sale of items without written permission.

91-0-2124 01 2
3000375

D

D

MARK CLOCK

TC01

TC00

LTS TIME WRITE

LTT TT0

LTT TT3

PHASE

SHIFT RWB

TB → RWB
AC → WINDOW

SHIFT WINDOW

TAPE WORD

AC → TB

ENABLE AC TO WINDOW

LC01

LC00

EXACT TIME DEPENDS ON PROGRAM

EXACT TIME DEPENDS ON PROGRAM

C

C

B

B

A

A

REVISIONS	CHK	CHANGE NO.	REV.
		EM12-00003	A
		T. B. WILSON 10-25-69	
		L. GALE	
		J. J. C. 8/15/69	

DEC FORM NO. DRD 102 A

UNLESS OTHERWISE SPECIFIED
 DIMENSION IN INCHES
 TOLERANCES
 DECIMALS = .005
 FRACTIONS = 1/64
 ANGLES = 0°30'
 FINAL SURFACE QUALITY
 REMOVE BURRS AND BREAK SHARP CORNERS

QTY.	DESCRIPTION	PART NO.	ITEM NO.
PARTS LIST			
DRN	See Order	DATE 9-21-68	
CHK'D		DATE 11/2/68	
ENG		DATE 2/22/69	
PROJ. ENG.		DATE 2/22/69	
PROD.		DATE 2/22/69	
FIRST USED ON		TITLE	
TC12		MARK TIMING	
SCALE		SIZE CODE	NUMBER
SHEET 1 OF 1		DFD	TC12-0-16
DIST.		REV.	A

REV. A

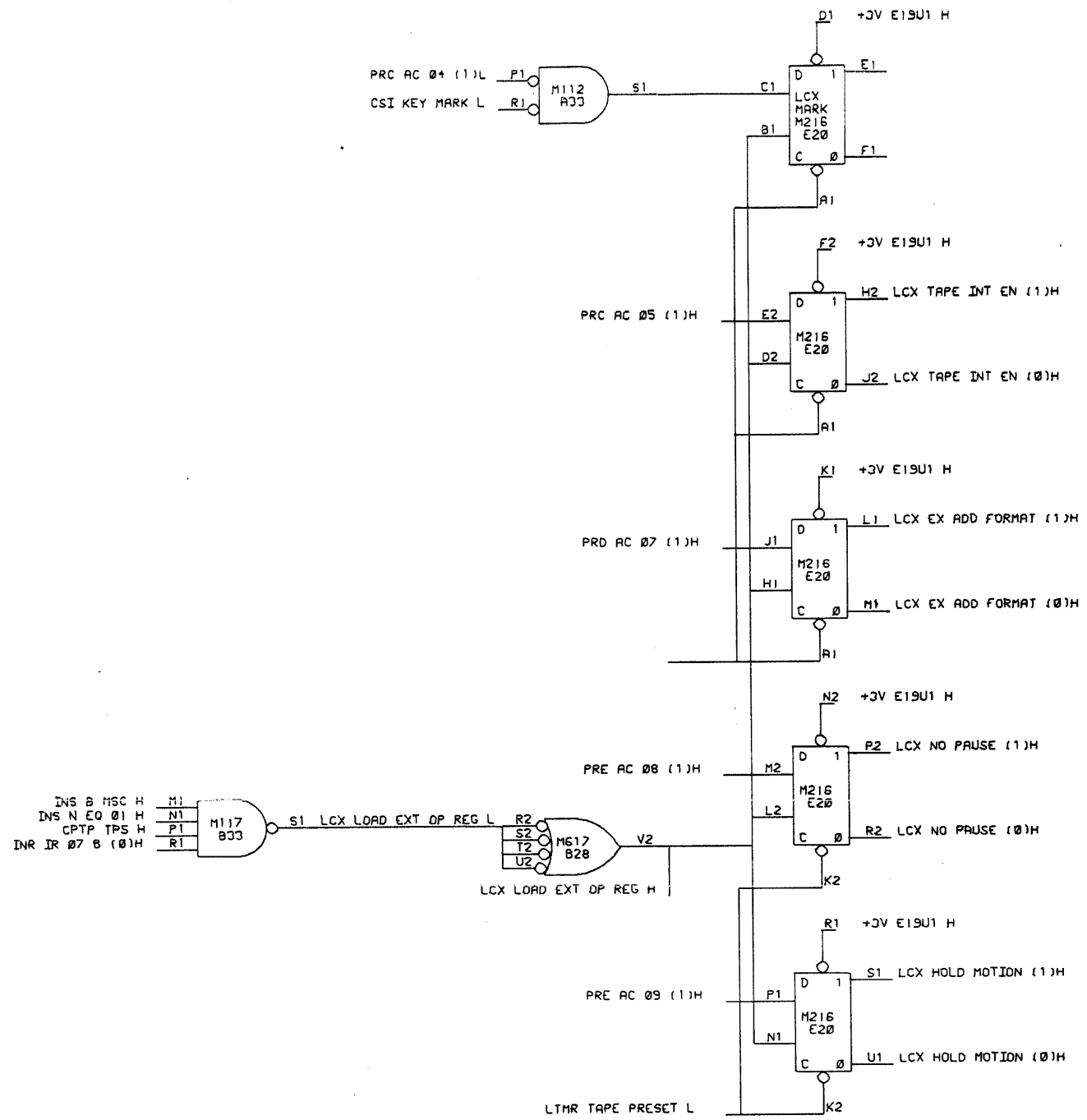
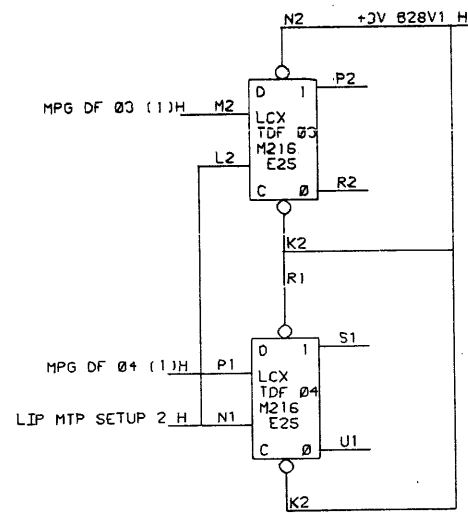
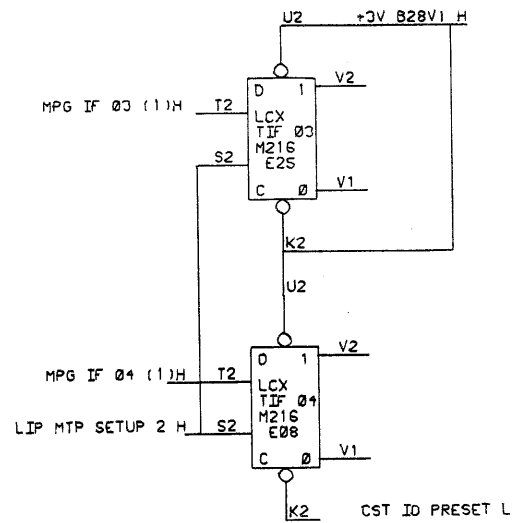
SIZE CODE DFD NUMBER TC12-0-16

B

A

This drawing and specifications herein are the property of Digital Equipment Corporation and shall not be reproduced or copied or used in whole or in part as the basis for the manufacture or sale of items without written permission.

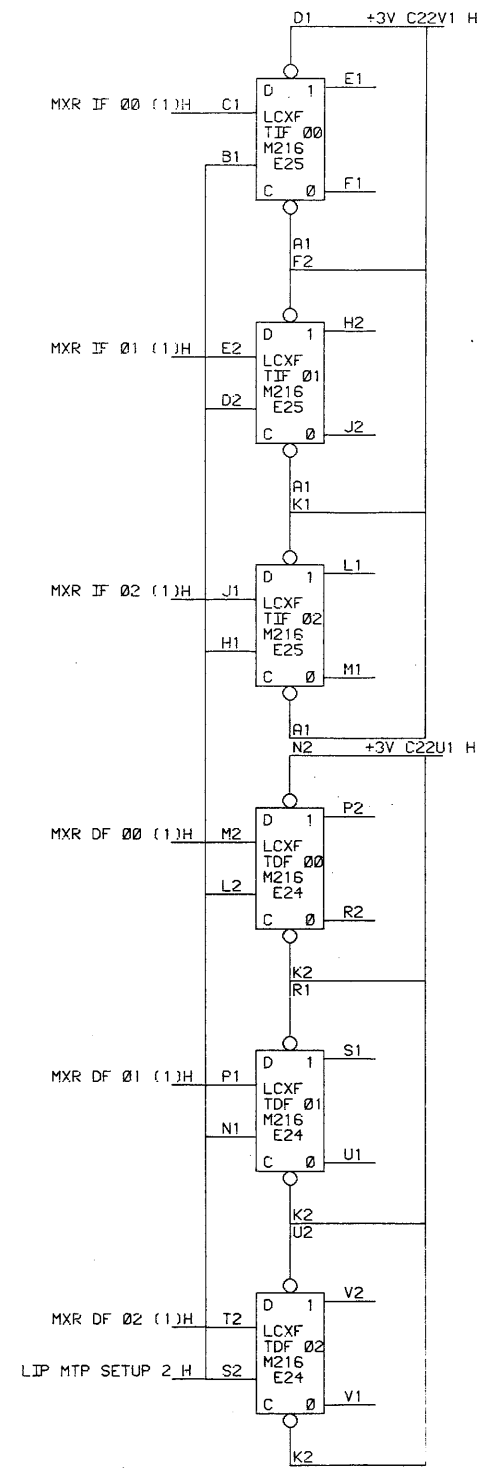
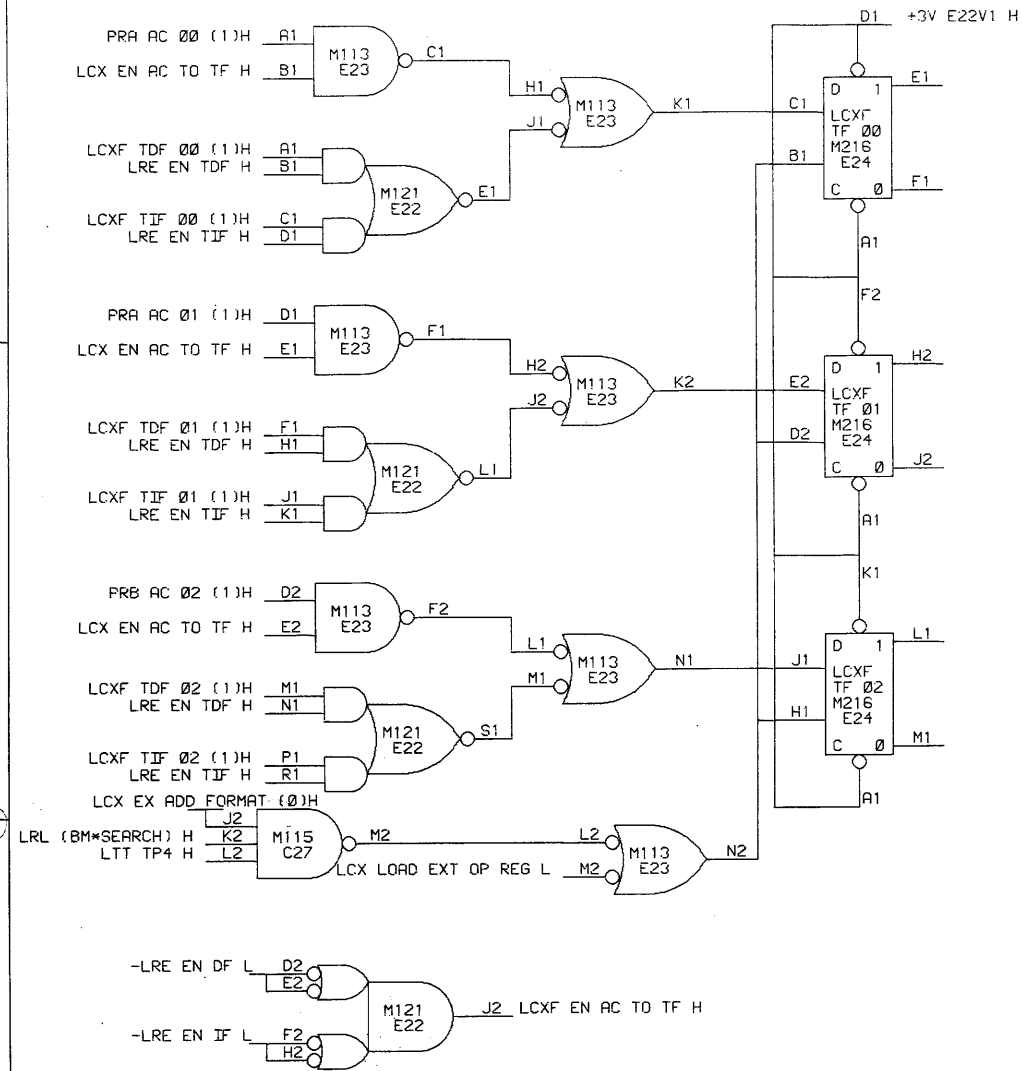
LTP TAPE PRESET L



REVISIONS		
CHK	CHANGE NO.	REV.
	EM12-00002	A
A.	WASHINGTON	
	L. GALE	
	EM12-00007	B
	BRUCE KORTLING	
	L. GALE	

DRN. D.L. SHEPARD	DATE 3-9-69	digital EQUIPMENT CORPORATION MAYNARD, MASSACHUSETTS
CHK'D. J.R. BISONETE	DATE 3-9-69	
ENG. L. GALE	DATE 3-9-69	TITLE TAPE EXTENDED OPERATIONS
PROJ. ENG. L. GALE	DATE 3-9-69	
PROD. I.D. CALL	DATE 3-9-69	
FIRST USED ON TC12		
SCALE SHEET 1 OF 1	SIZE/CODE D BS	NUMBER TC12-0-LCX
	DIST.	REV. B

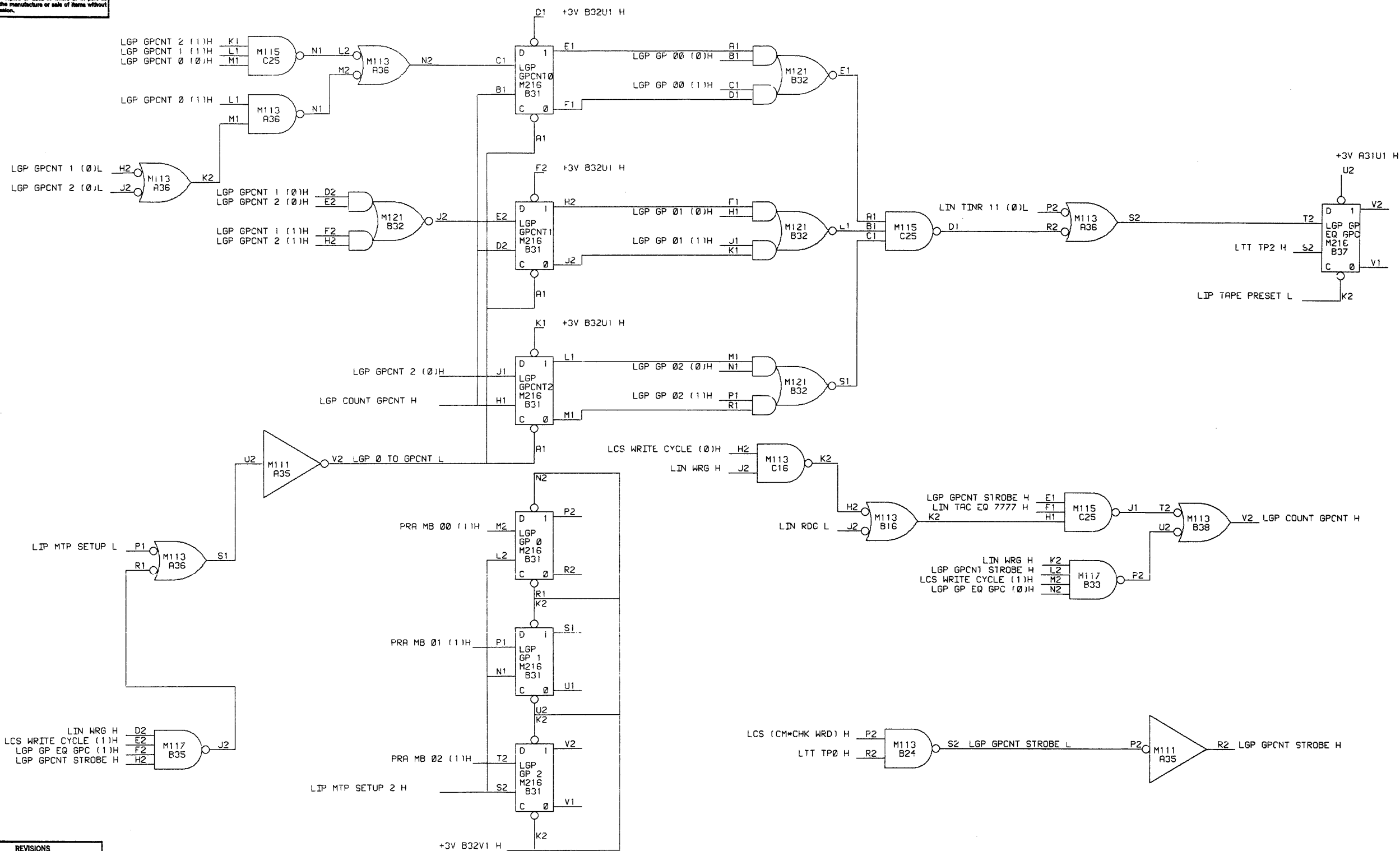
This drawing and specifications, herein, are the property of Digital Equipment Corporation and shall not be reproduced or copied or used in whole or in part as the basis for the manufacture or sale of items without written permission.



REVISIONS		
CHK	CHANGE NO.	REV.
	EM12-00002	

DRN. D.L. SHEPARD	DATE 8-9-69	digital EQUIPMENT CORPORATION MAYNARD, MASSACHUSETTS
CHK'D. J.K. BISONETE	DATE 8-9-69	
ENG. L. GALE	DATE 8-9-69	TITLE TAPE EXTENDED FIELDS
PROJ. ENG. L. GALE	DATE 8-9-69	
PROD. D. CALL	DATE 8-9-69	
FIRST USED ON		
TC12	SIZE CODE D BS	NUMBER TC12-0-LCXF
SCALE	DIST.	REV. R
SHEET 1 OF 1		

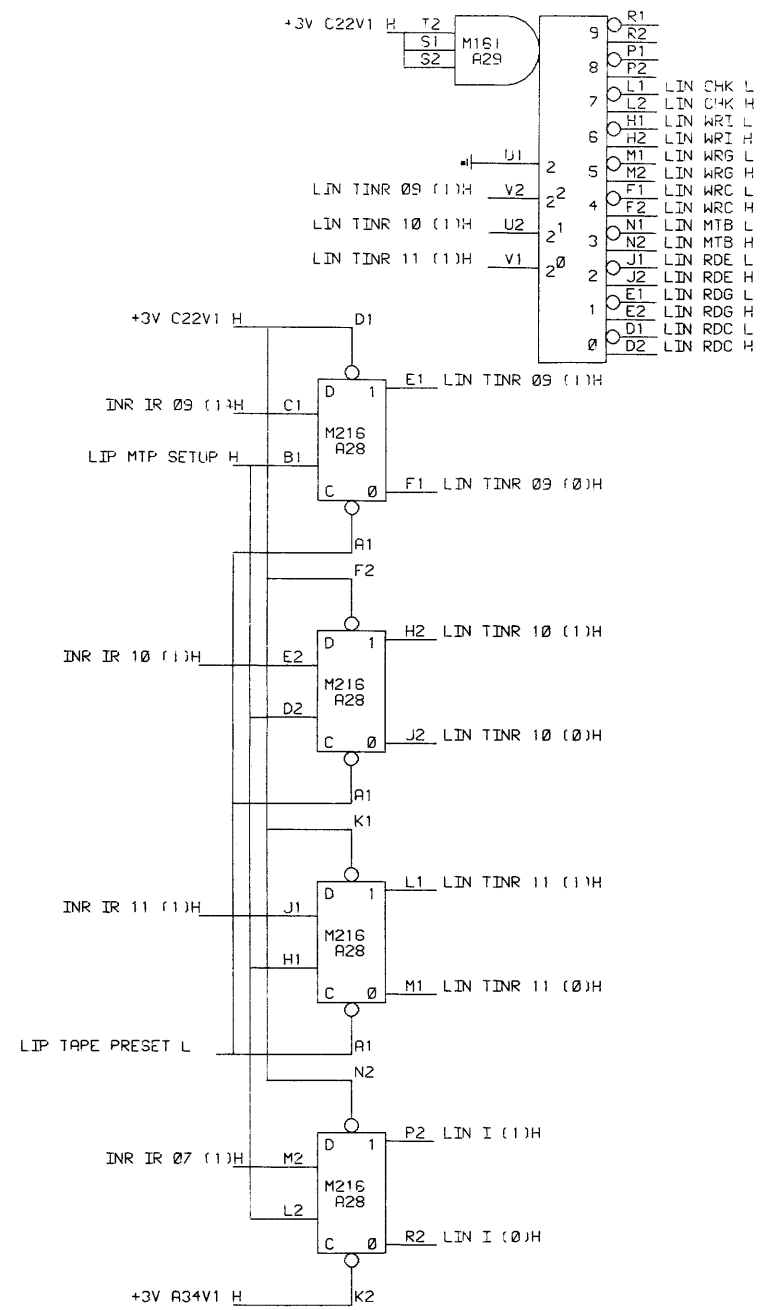
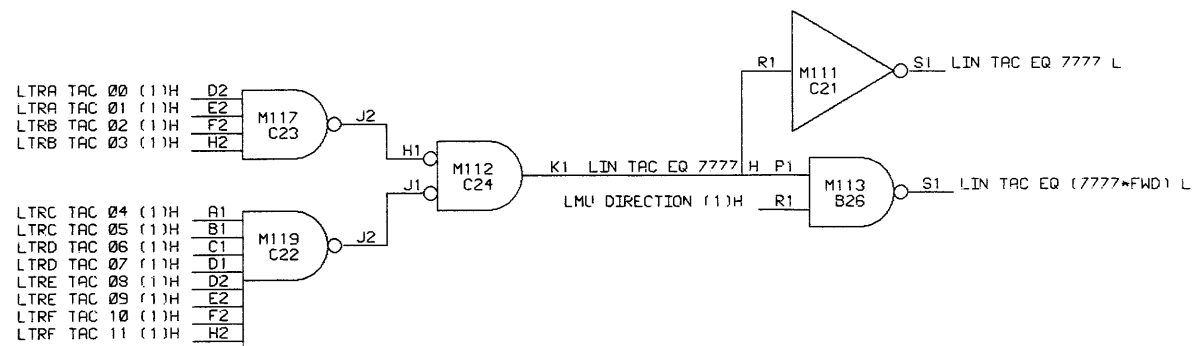
This drawing and specifications, herein, are the property of Digital Equipment Corporation and shall not be reproduced or copied in whole or in part as the basis for the manufacture or sale of items without written permission.



REVISIONS		
CHK	CHANGE NO.	REV.
NR	EM12-00015	A
	K BOGGS 10-14-69	
	J SCANLAN 10-17-69	
AC	EM12-00037	B
	K KRYSIAK 7-29-70	
	G GALE 7-29-70	
REV	EM12-00041	C
	<i>W. H. ...</i>	
	<i>D. ...</i>	

DRN D SHEPARD	DATE 3-10-69	 digital EQUIPMENT CORPORATION MAYNARD, MASSACHUSETTS	TITLE TAPE GROUP COUNTER
CHKD J BISONETE	DATE 3-10-69		
ENG L GALE	DATE 3-10-69		
PROJ. ENG L GALE	DATE 3-10-69		
PROD. D CALL	DATE 3-10-69		
FIRST USED ON		SIZE CODE D BS	NUMBER TC12-0-LGP
SCALE		DIST.	REV. C
SHEET 1 OF 1			

This drawing and specifications, herein, are the property of Digital Equipment Corporation and shall not be reproduced or copied or used in whole or in part as the basis for the manufacture or sale of items without written permission.



REVISIONS		
CHK	CHANGE NO.	REV.

DRN.	DATE	 digital EQUIPMENT CORPORATION <small>MAYNARD, MASSACHUSETTS</small>
CHK'D.	DATE	
ENG.	DATE	
PROJ. ENG.	DATE	
PROD.	DATE	TITLE TAPE INSTR
FIRST USED ON		
1012		
SCALE	D BS	NUMBER TC12-0-LIN
SHEET	OF	DIST.

8

7

6

5

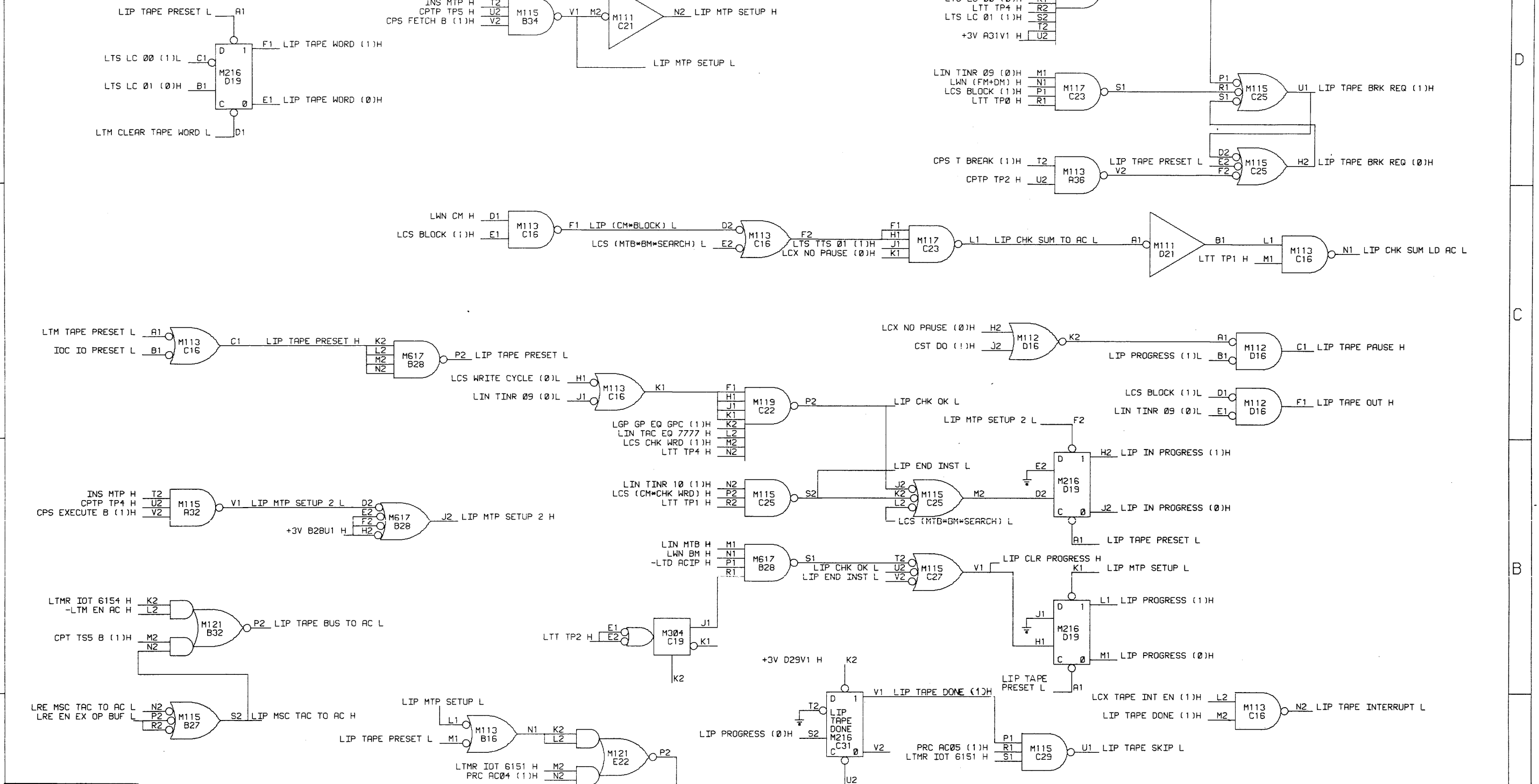
4

3

2

1

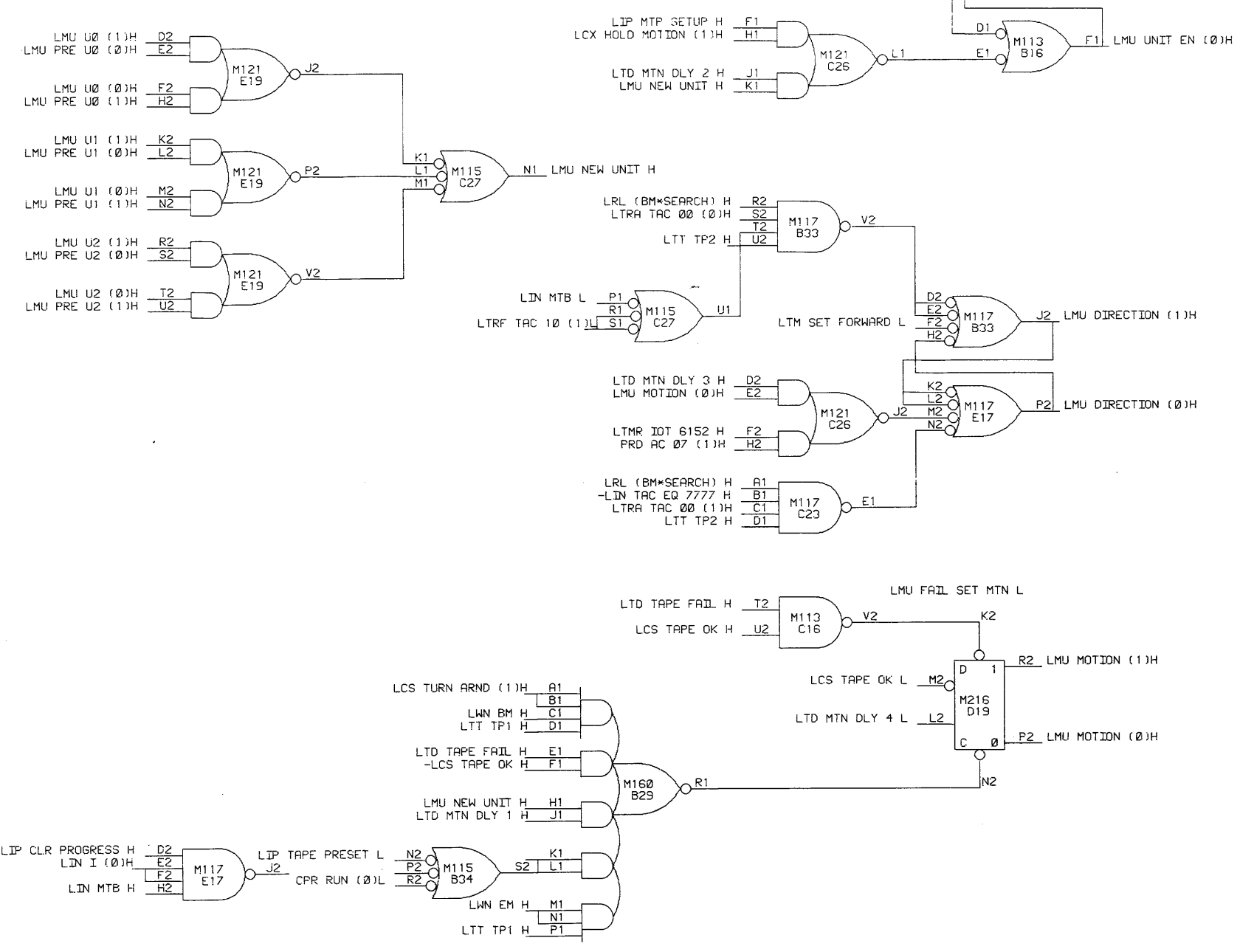
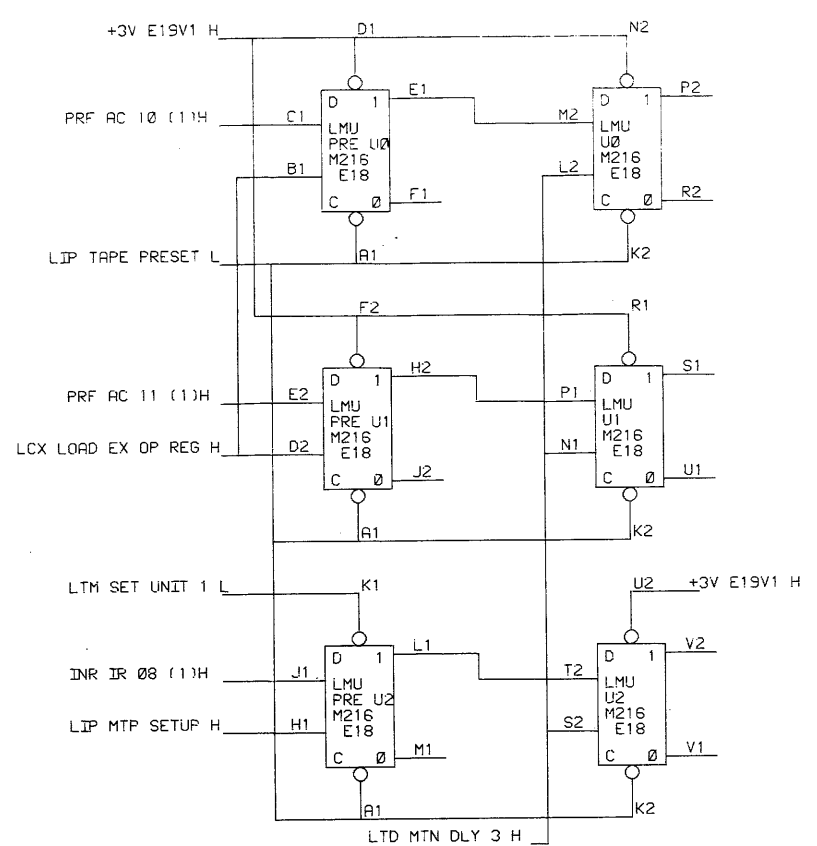
This drawing and specifications, herein, are the property of Digital Equipment Corporation and shall not be reproduced or copied or used in whole or in part as the basis for the manufacture or sale of items without written permission.



REVISIONS		
CHK	CHANGE NO.	REV.
PD	EM12-00002	A
J	FASSHAUER 4-15-69	
L	GALE 4-24-69	
	EM12-00003	B
	ADS	
L	GALE	
NR	EM12-00007	C
B	KORTELING 8-25-69	
L	GALE 8-26-69	
	EM12-00017	D

DRN	D SHEPARD	DATE	3-9-69		digital EQUIPMENT CORPORATION MAYNARD, MASSACHUSETTS
CHK'D	BISONETE	DATE	3-9-69		
ENG	L GALE	DATE	3-9-69		
PROJ. ENG.	L GALE	DATE	3-9-69		
PROD.	D CALL	DATE	3-9-69		
FIRST USED ON	TC12			SIZE	CODE
SCALE	D	BS	TC12-0-LIP	NUMBER	REV.
SHEET	1	OF	1	DIST.	

This drawing and specifications, herein, are the property of Digital Equipment Corporation and shall not be reproduced or copied in whole or in part as the basis for the manufacture or sale of items without written permission.

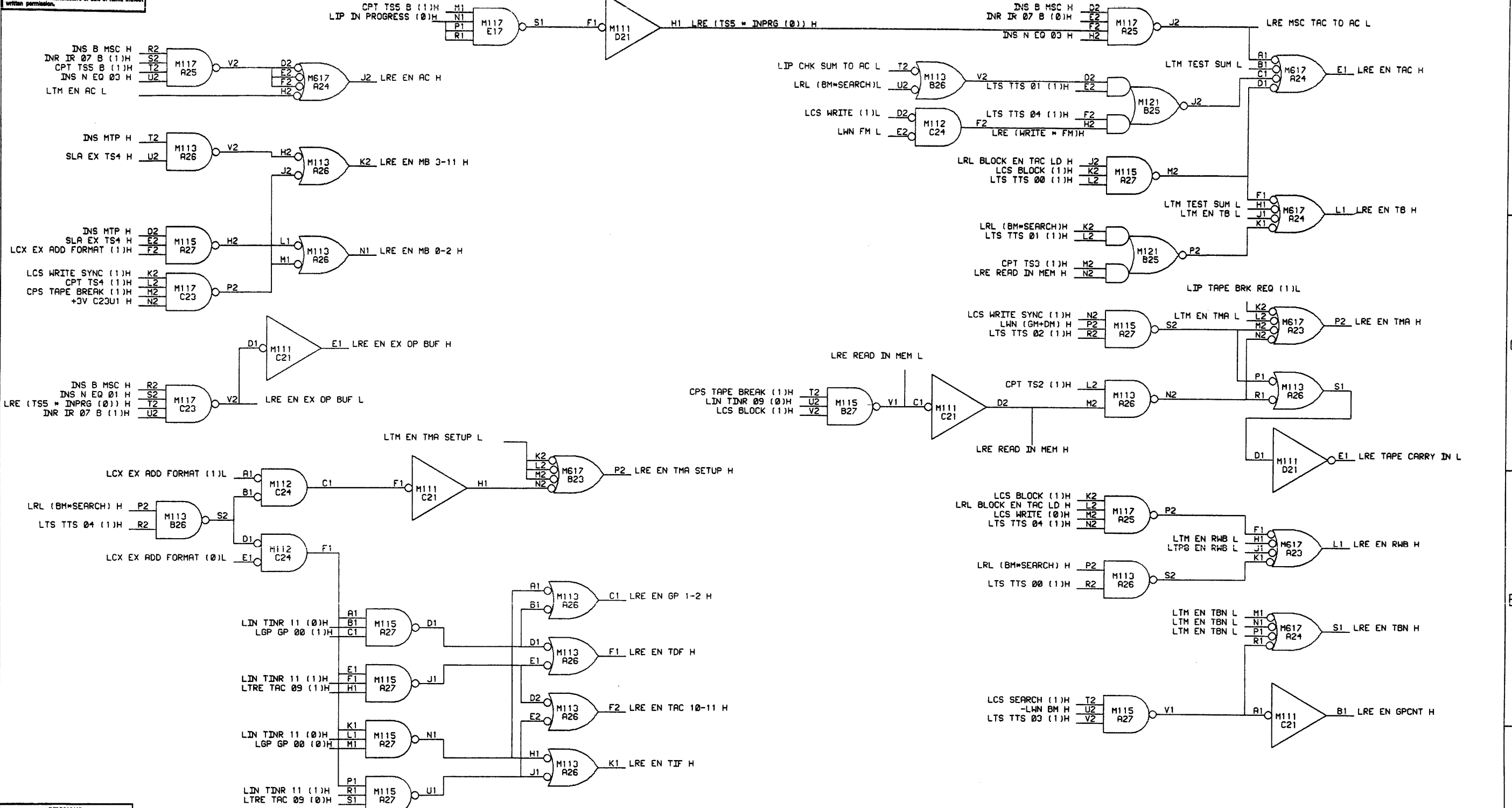


REVISIONS		
CHK	CHANGE NO.	REV.
NR	EM12-00003	A
	ADS	
	J SCANLAN 3/7/69	
	EM12-00017	B

DRN.	D SHEPARD	DATE	3-10-69	digital EQUIPMENT CORPORATION MAYNARD, MASSACHUSETTS
CHK'D.	J BISONETE	DATE	3-10-69	
ENG.	L GALE	DATE	3-10-69	TITLE
PROJ. ENG.	L GALE	DATE	3-10-69	TAPE UNIT AND MOTION
PROD.	D CALL	DATE	3-10-69	
FIRST USED ON				
SCALE		SIZE CODE	D BS	NUMBER
SHEET 1 OF 1		DIST.		REV. 8

8 7 6 5 4 3 2 1

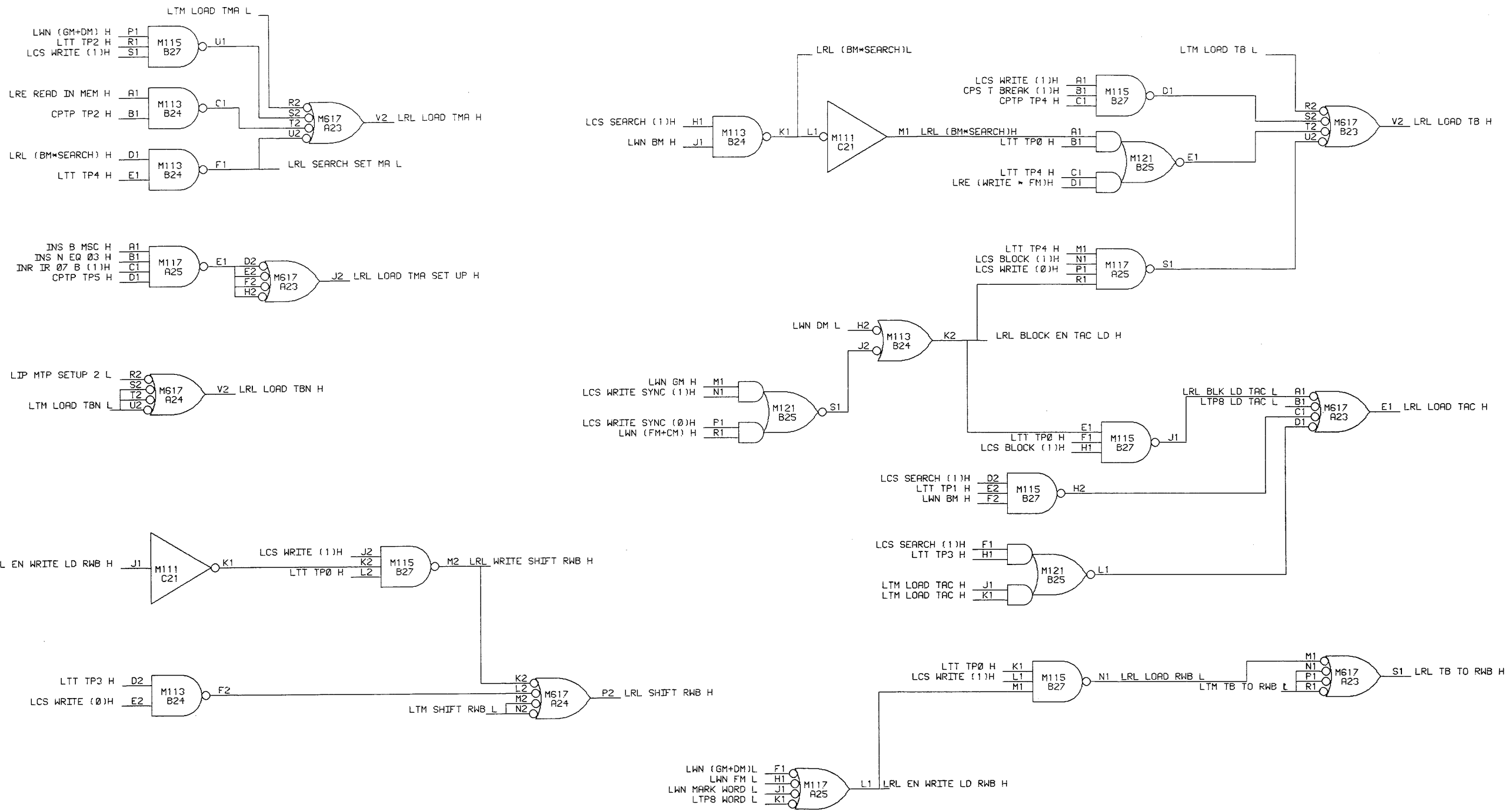
This drawing and specifications, herein, are the property of Digital Equipment Corporation and shall not be reproduced or copied or used in whole or in part as the basis for the manufacture or sale of items without written permission.



REVISIONS		
CHK	CHANGE NO.	REV.
	EM12-00002	A
ADS		
L GALE		
NR	EM12-00007	B
	B KOTELING 8-31-69	
	L GALE 8-26-69	
V+	EM12-00041	C

DRN D SHEPARD	DATE 3-9-69	digital EQUIPMENT CORPORATION MAYNARD, MASSACHUSETTS
CHK'D J BISSONNETTE	DATE 3-9-69	
ENG. L GALE	DATE 3-9-69	TITLE TAPE REG ENABLE CTRL
PROJ. ENG. L GALE	DATE 3-9-69	
PROD. D CALL	DATE 3-9-69	
FIRST USED ON TC12		
SCALE D BS	SIZE CODE TC12-0-LRE	NUMBER C
SHEET 1 OF 1	DIST.	REV. C

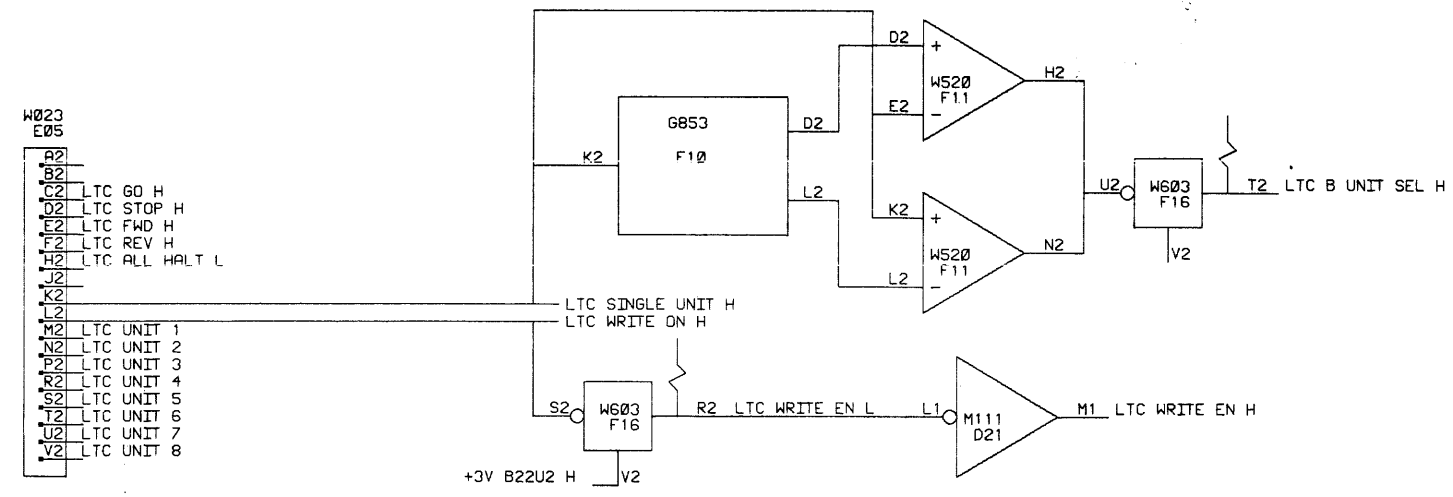
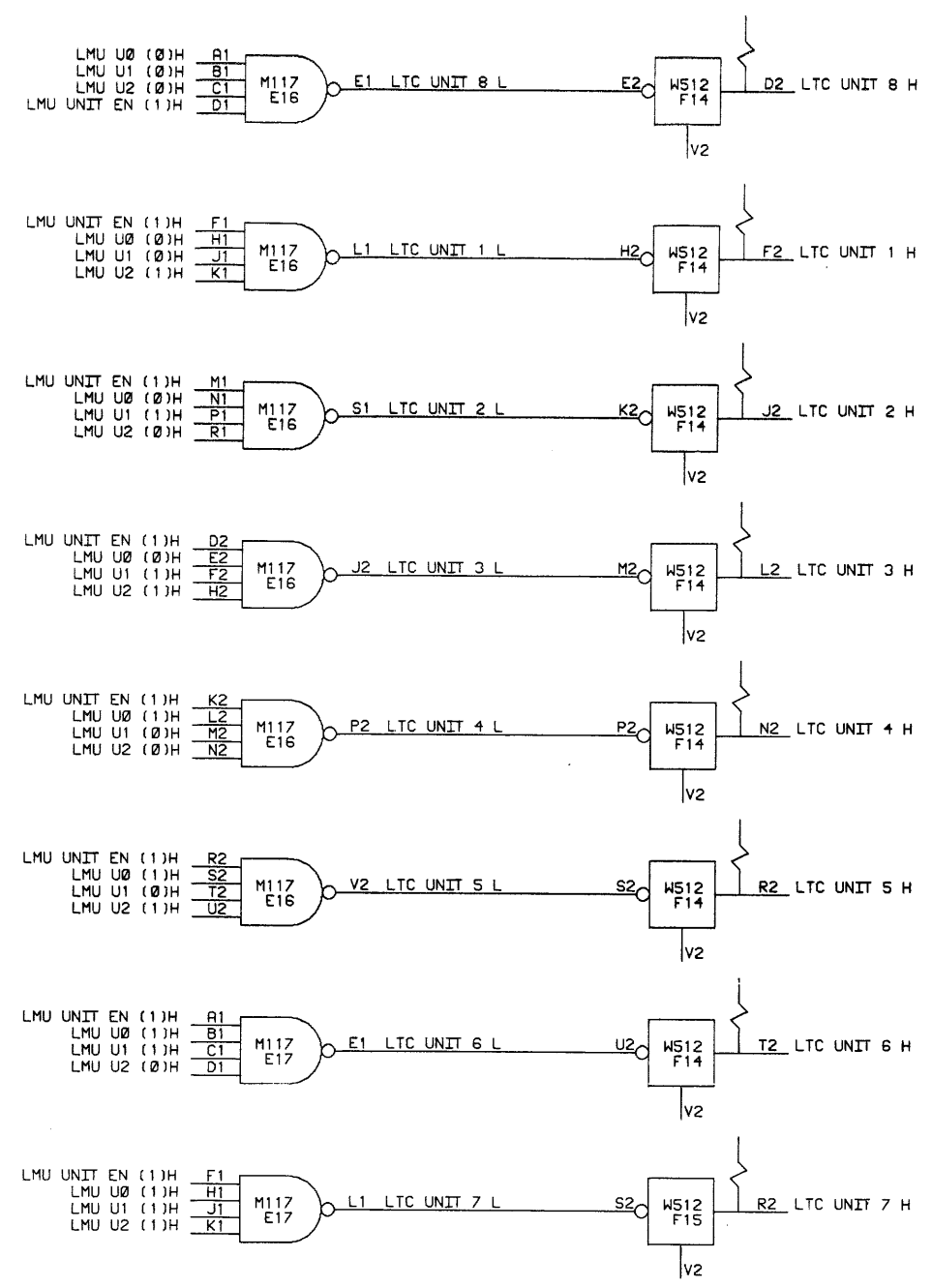
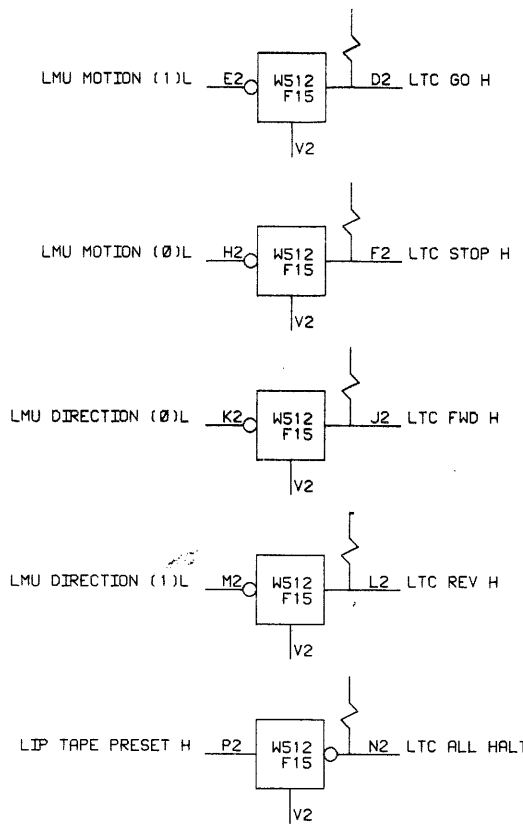
This drawing and specifications, herein, are the property of Digital Equipment Corporation and shall not be reproduced or copied or used in whole or in part as the basis for the manufacture or sale of items without written permission.



REVISIONS		
CHK	CHANGE NO.	REV.
	EM12-00007	A
	BRUCE KORTELING	
	L. GALE	

DRN.	DATE	 digital EQUIPMENT CORPORATION MAYNARD, MASSACHUSETTS
CHK'D.	DATE	
ENG.	DATE	
PROJ. ENG.	DATE	
PROD.	DATE	TITLE TAPE REG LOAD CONTROL
FIRST USED ON TC12		
SCALE		SIZE/CODE D BS
SHEET 1 OF 1		NUMBER TC12-0-LRL
		REV. A

This drawing and specifications, herein, are the property of Digital Equipment Corporation and shall not be reproduced or copied in whole or in part as the basis for the manufacture or sale of items without written permission.



- W023
E05
- A2
 - B2
 - C2 LTC GO H
 - D2 LTC STOP H
 - E2 LTC FWD H
 - F2 LTC REV H
 - H2 LTC ALL HALT L
 - J2
 - K2
 - L2
 - M2 LTC UNIT 1
 - N2 LTC UNIT 2
 - P2 LTC UNIT 3
 - R2 LTC UNIT 4
 - S2 LTC UNIT 5
 - T2 LTC UNIT 6
 - U2 LTC UNIT 7
 - V2 LTC UNIT 8

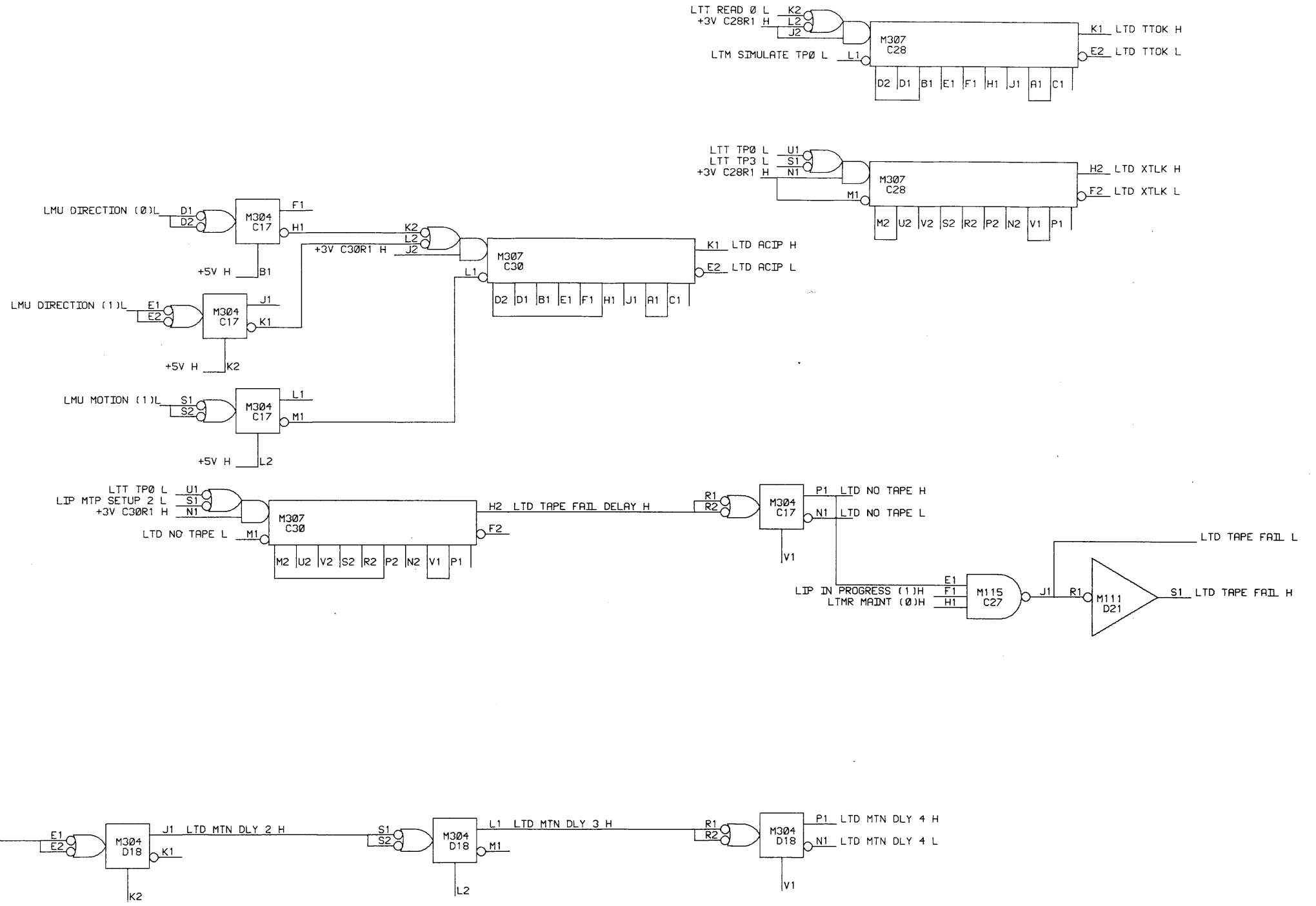
REVISIONS		
CHK	CHANGE NO.	REV.
NR	EM12-00004	B
	B VADITO	
	L GALE 8-18-69	
	EM12-00015	C

DRN.	DATE	digital EQUIPMENT CORPORATION MAYNARD, MASSACHUSETTS
CHKD. SHEPARD	3-9-69	
ENGR. L. K. BITSONETE	3-9-69	TITLE
PROJ. ENG. L. GALE	3-9-69	TRANSPORT CONTROL
PROD. L. GALE	3-9-69	
FIRST USED ON	3-9-69	
TC12	SIZE CODE	NUMBER
SCALE	D BS	TC12-0-LTC
SHEET 1 OF 1	DIST.	REV. C

This drawing and specifications, herein, are the property of Digital Equipment Corporation and shall not be reproduced or copied or used in whole or in part as the basis for the manufacture or sale of items without written permission.

DELAY SETTINGS			
DELAY	TUSS	TOLL	SWITCH SET *
TTOK	48 USEC	+ 4	5
ACIP	180 MSEC	+ 20	1
XTLX	7 USEC	+ 1	5
TAPE FAIL	300 MSEC	+ 50	1
MARK CLOCK	7.5 USEC	+ 0.3	5

* ON M307 REV.B AND GREATER-SEE B-CS-M307-0-1 FOR DETAILS.

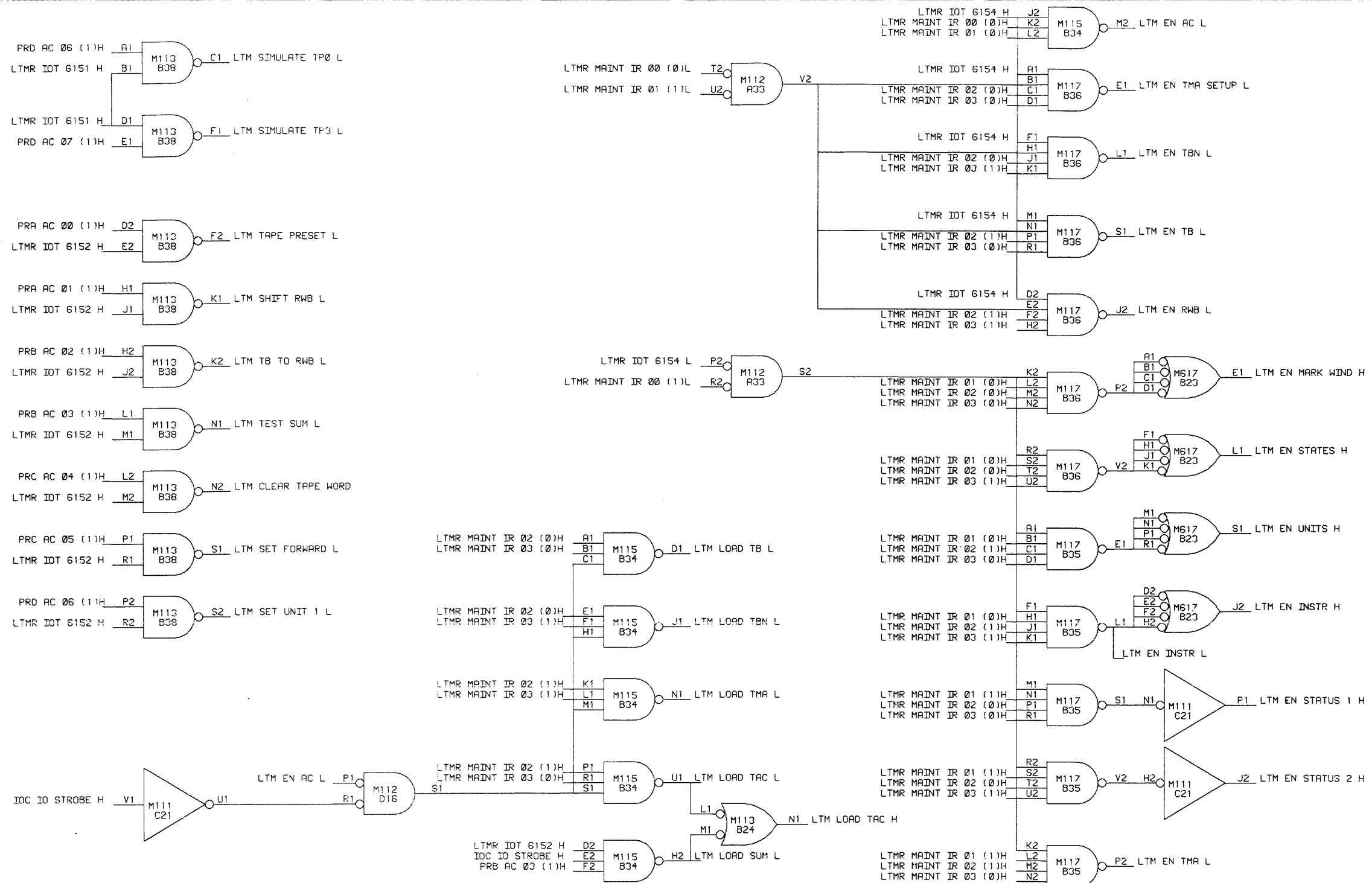


REVISIONS			REVISIONS		
CHK	CHANGE NO.	REV.	CHK	CHANGE NO.	REV.
	EM12-00001	A	NR	EM12-00017	E
J	FASSHAUER 4/15/69		A	WASHINGTON 11-3-69	
L	GALE 4/29/69		J	SCANLAN 11-14-69	
	EM12-00002	B		EM12-00037	F
A	WASHINGTON		K	KRYSTAR	
J	SCANLAN		J	SCANLAN	
	EM12-00003	C	PC	EM12-00038	H
A	WASHINGTON				
J	SCANLAN				
	EM12-00011	D			
A	WASHINGTON				
J	SCANLAN				

DRN. D SHEPARD	DATE 3-9-69	digital EQUIPMENT CORPORATION MAYNARD, MASSACHUSETTS
CHK'D. J BISONETE	DATE 3-9-69	
ENG. L GALE	DATE 3-9-69	TITLE TAPE DELAYS
PROJ. ENG. L GALE	DATE 3-9-69	
PROD. D CALL	DATE 3-9-69	
FIRST USED ON TC12		
SCALE D BS	SIZE CODE D BS	NUMBER TC12-0-LTD
SHEET 1 OF 1	DIST.	REV. H

8 7 6 5 4 3 2 1

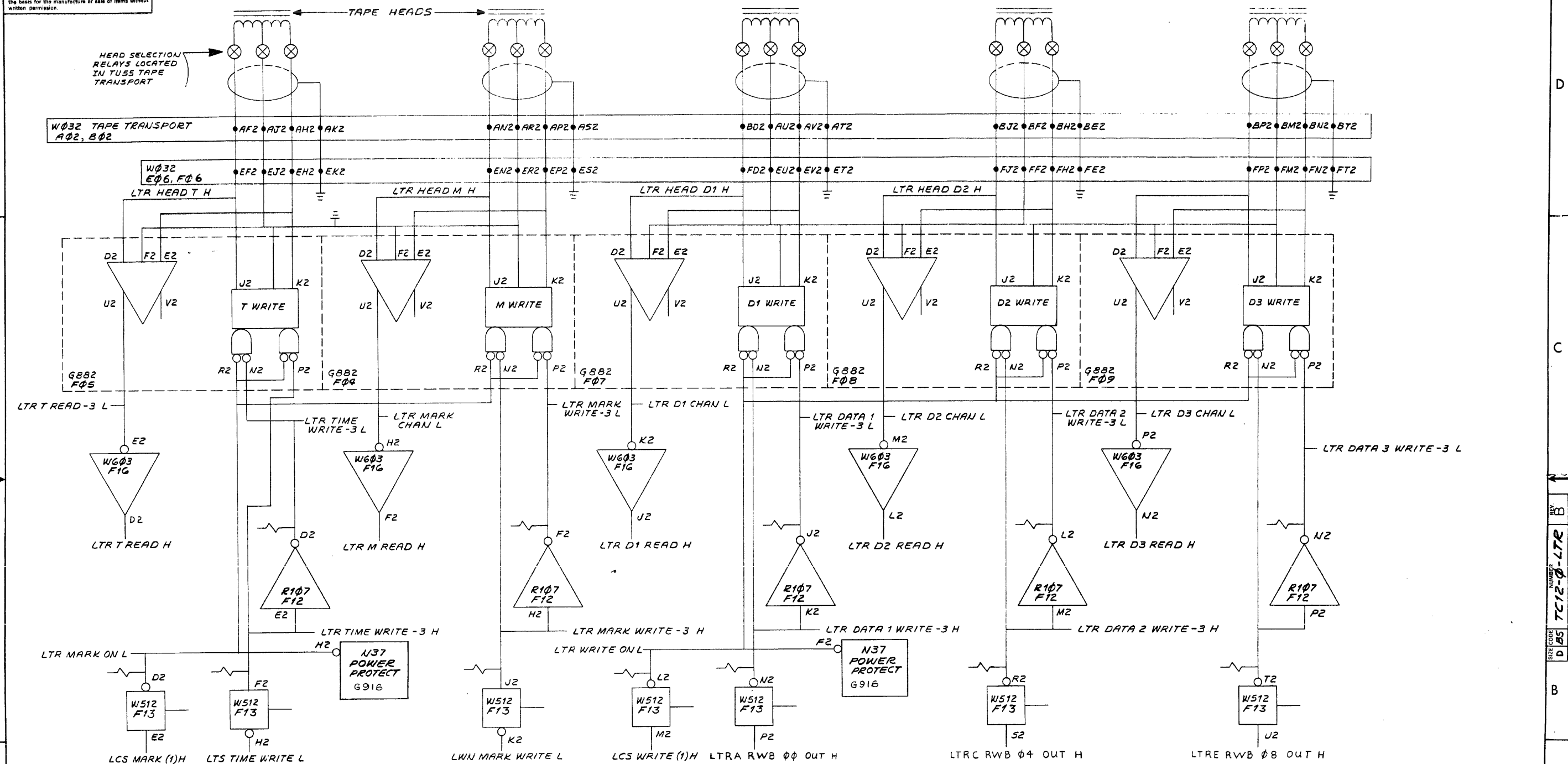
This drawing and specifications, herein, are the property of Digital Equipment Corporation and shall not be reproduced or copied or used in whole or in part as the basis for the manufacture or sale of items without written permission.



REVISIONS		
CHK	CHANGE NO.	REV.
	EM12-00003	A

DRN. D. L. SHEPARD	DATE 3-10-69	digital EQUIPMENT CORPORATION MAYNARD, MASSACHUSETTS
CHK'D. J. BISONETTE	DATE 3-10-69	
ENG. L. GALE	DATE 3-10-69	TITLE
PROJ. ENG. L. GALE	DATE 3-10-69	TAPE MAINT SIGNALS
PROD. D. CALI	DATE 3-10-69	
FIRST USED ON		
TC12	SIZE CODE	NUMBER
SCALE	D BS	TC12-0-LTM
SHEET 1 OF 1	DIST.	REV. A

This drawing and specifications herein are the property of Digital Equipment Corporation and shall not be reproduced, copied or used in whole or in part as the basis for the manufacture or sale of items without written permission.

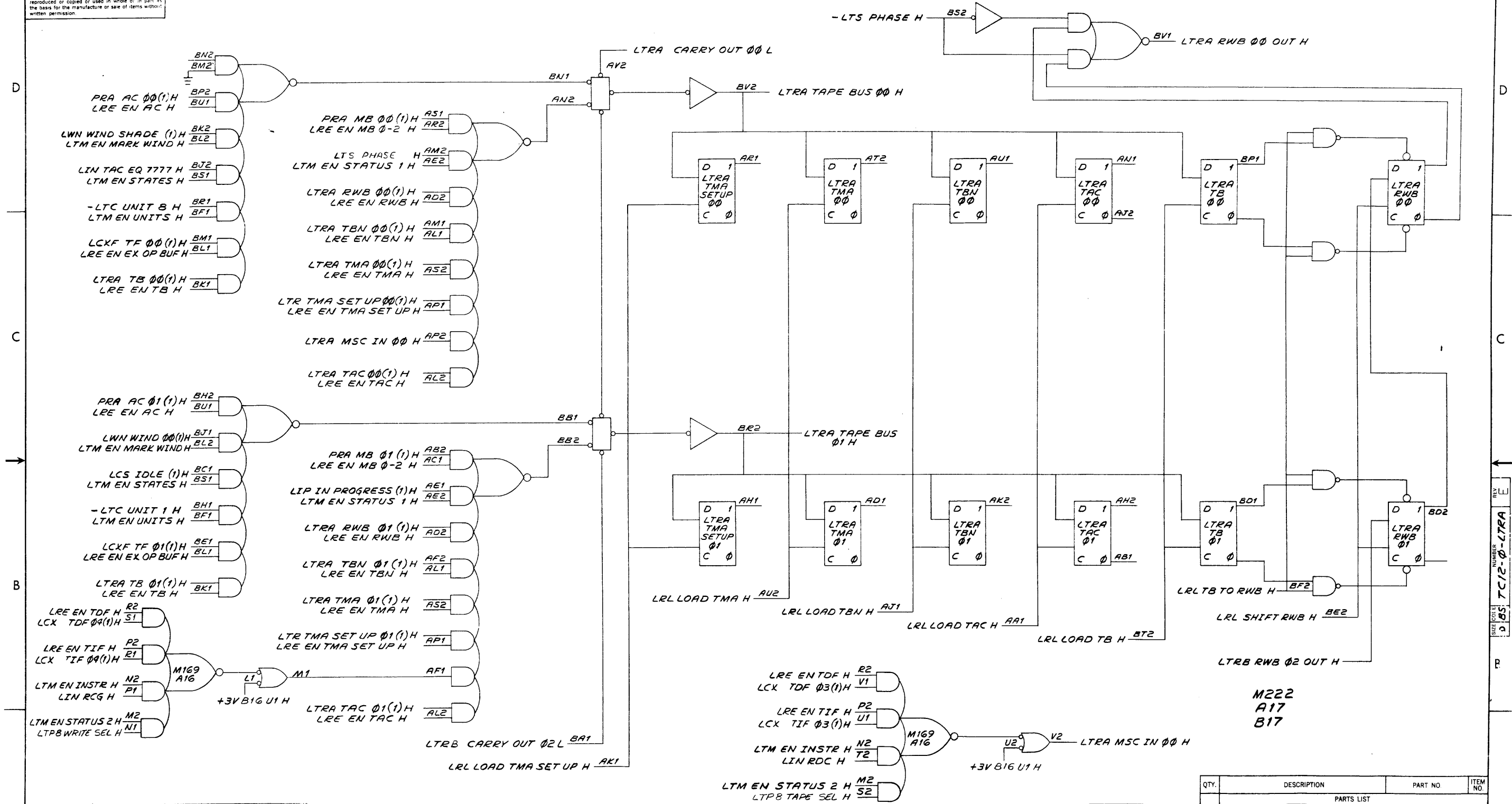


REV.	CHG. NO.	DATE	BY	CHKD.
0002	A		T. GALE	
0001	A	6/18/69	L. GALE	
	B	8/27/69	L. GALE	

SEC FORM NO. DRD 102A

QTY.	DESCRIPTION	PART NO.	ITEM NO.
PARTS LIST			
UNLESS OTHERWISE SPECIFIED		DRN: Joe Oprea	
DIMENSION IN INCHES		DATE: 21 AUG 68	
TOLERANCES		CHKD: John Lee	
DECIMALS FRACTIONS ANGLES		DATE: 2/27/69	
± .005 ± 1/64 ± 0°30'		ENG: [Signature]	
FINAL SURFACE QUALITY		DATE: [Signature]	
REMOVE BURRS AND BREAK SHARP CORNERS		PROJ. ENG: [Signature]	
MATERIAL		DATE: 7/29/68	
FINISH		FIRST USED ON	
SCALE		TC12	
SHEET 1 OF 1		SIZE CODE	
		D BS	
		NUMBER	
		TC12-0-LTR	
		REV.	
		B	

This drawing and specifications herein are the property of Digital Equipment Corporation and shall not be reproduced or copied or used in whole or in part as the basis for the manufacture or sale of items without written permission.



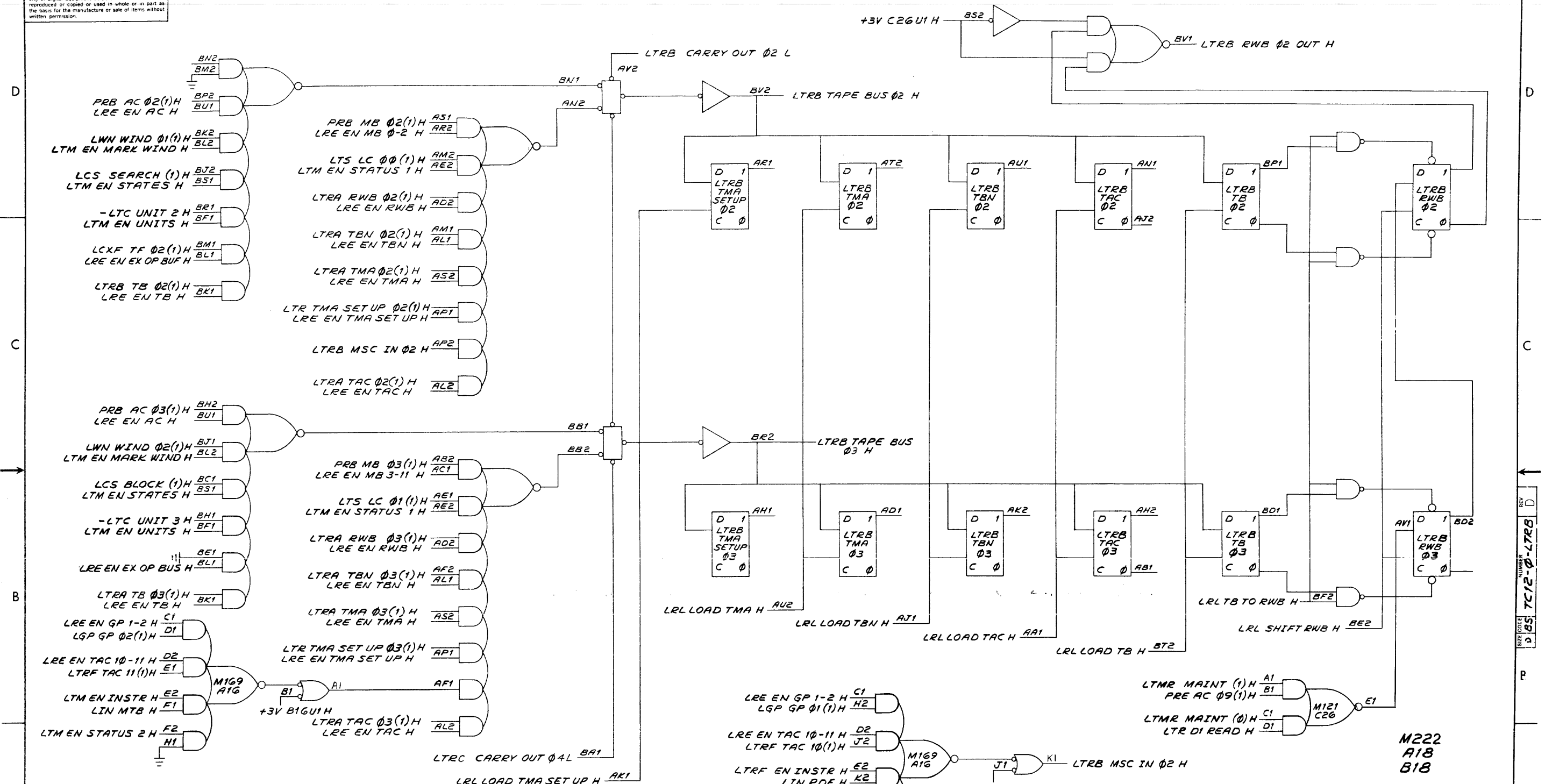
REV	NO	DATE	BY	CHKD
A	00002	12-8-68	J. GALE	J. GALE
B	00004	2/27/69	J. GALE	J. GALE
C	00009	2/28/69	J. GALE	J. GALE
D	00015	3/12/69	J. GALE	J. GALE
E	00032	3/19/69	J. GALE	J. GALE
F	00033	3/19/69	J. GALE	J. GALE

SEC FORM NO. 102A
8 7 6 5 4 3 2 1

QTY.	DESCRIPTION	PART NO.	ITEM NO.
PARTS LIST			
UNLESS OTHERWISE SPECIFIED			
DIMENSION IN INCHES			
TOLERANCES			
DECIMALS	FRACTIONS	ANGLES	
± .005	± 1/64	± 0°30'	
FINAL SURFACE QUALITY			
REMOVE BURRS AND BREAK SHARP CORNERS			
MATERIAL		FIRST USED ON	
		TC12	
FINISH		SCALE	
		SHEET 1 OF 1	
		DISTRIBUTION	
		DIST	

UNLESS OTHERWISE SPECIFIED
 DRN: J. GALE
 DATE: 12-8-68
 CHECKED: J. GALE
 DATE: 2/27/69
 ENG: J. GALE
 DATE: 2/28/69
 PROJ. ENG: J. GALE
 DATE: 2/28/69
 PROD: J. GALE
 DATE: 2/28/69
 TITLE: LTRA BITS 0 & 1
 NUMBER: D155 TC12-0-LTRA
 DIST: E

This drawing and specifications, herein, are the property of Digital Equipment Corporation and shall not be reproduced or copied or used in whole or in part as the basis for the manufacture or sale of items without written permission.



REV.	NO.	DATE	BY	CHKD.
A	00002		J. Quillin	
B	00003	8/19/69	L. GALE	
C	00009	8/19/69	L. GALE	
D	00015	8/19/69	L. GALE	

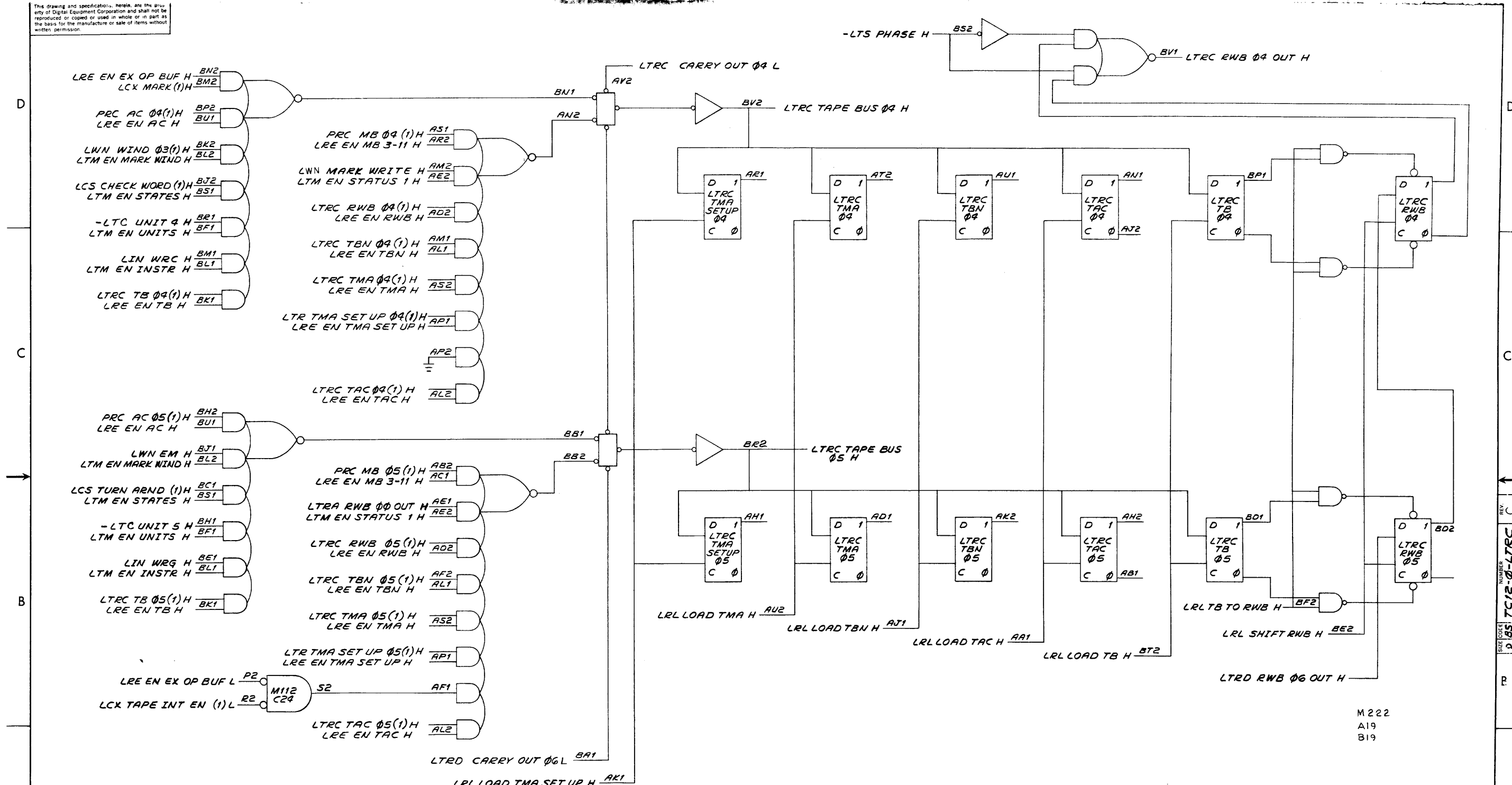
DEC FORM NO. 1024

UNLESS OTHERWISE SPECIFIED	DRN.	DATE
UNLESS OTHERWISE SPECIFIED	DATE	12-8-68
DIMENSION IN INCHES	DATE	2/17/69
TOLERANCES	DATE	2/28/69
DECIMALS FRACTIONS ANGLES	DATE	2/28/69
= .005 ±.184 = 0°30'	DATE	2/28/69
FINAL SURFACE QUALITY	DATE	2/28/69
REMOVE BURRS AND BREAK SHARP CORNERS	DATE	2/28/69

QTY.	DESCRIPTION	PART NO.	ITEM NO.
PARTS LIST			
digital EQUIPMENT CORPORATION MAYNARD, MASSACHUSETTS			
TITLE LTRB BITS 2 & 3			
FIRST USED ON TC12		SIZE CODE D B5	NUMBER TC12-0-LTRB
FINISH		DIST.	REV D

SIZE CODE
 NUMBER
 REV
 D B5 TC12-0-LTRB D

This drawing and specifications, herein, are the property of Digital Equipment Corporation and shall not be reproduced or copied or used in whole or in part as the basis for the manufacture or sale of items without written permission.



REV.	DATE	BY	CHKD.
A	12-8-68	L. GALE	
B	1/18/69	L. GALE	
C	2-27-69	L. GALE	
	3-14-70	L. GALE	
	7-16-70	L. GALE	
	7-23-70	L. GALE	

DEC FORM NO. DRD 102A

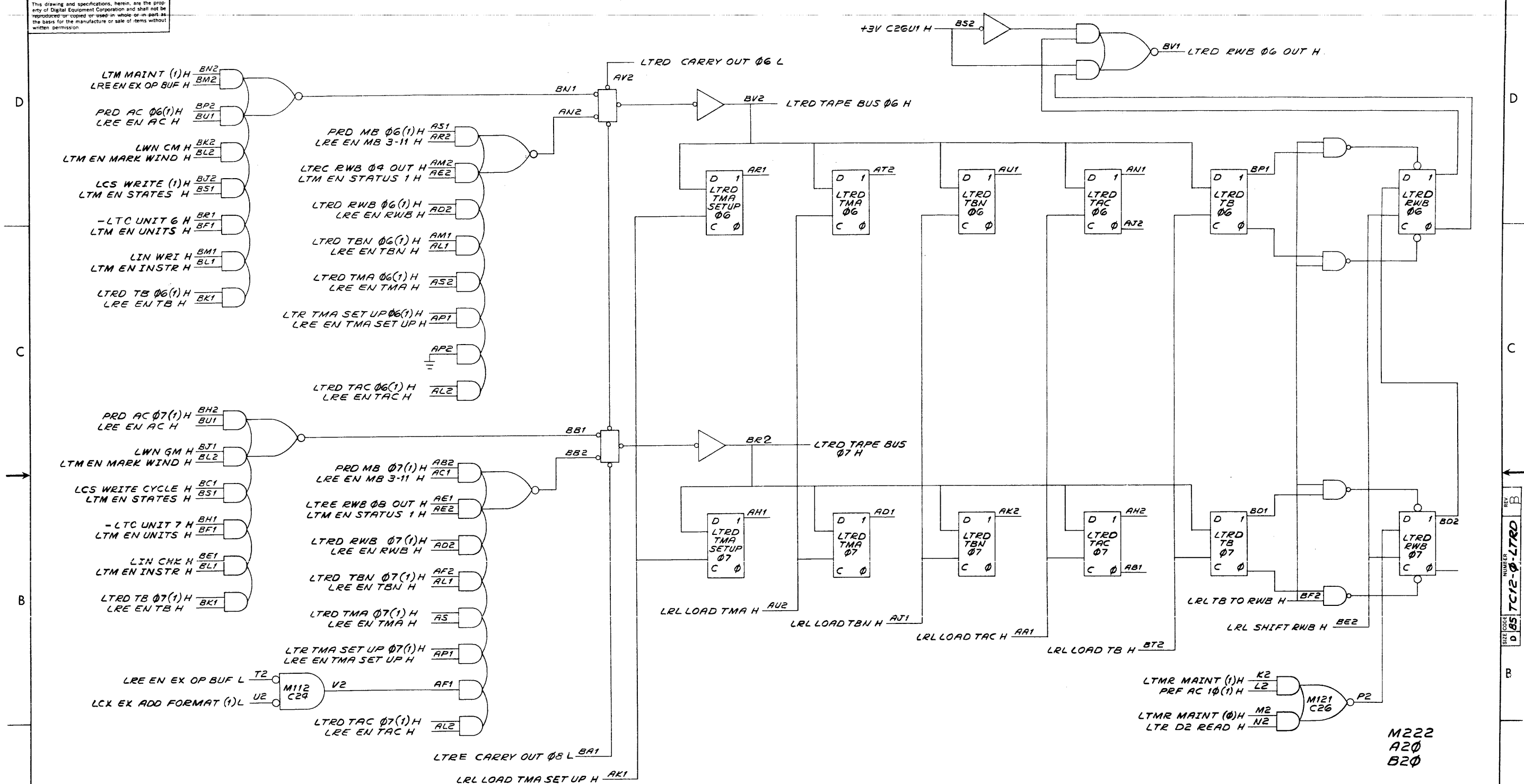
8 7 6 5 4 3 2 1

QTY.	DESCRIPTION	PART NO.	ITEM NO.
PARTS LIST			
UNLESS OTHERWISE SPECIFIED		DRN.	DATE
DIMENSION IN INCHES		CHKD.	DATE
TOLERANCES		ENG.	DATE
DECIMALS	FRACTIONS	PROG. ENGR.	DATE
± .005	± 1/64	PROD.	DATE
ANGLES		FIRST USED ON	
± 0°30'		TC12	
FINAL SURFACE QUALITY		SCALE	
REMOVE BURRS AND BREAK SHARP CORNERS		SHEET 1 OF 1	
MATERIAL		DIST.	
FINISH		D65 TC12-Ø-LTRC C	

digital EQUIPMENT CORPORATION
MAYNARD, MASSACHUSETTS
TITLE
LTRC BITS 4 & 5

M 222
A 19
B 19

This drawing and specifications, herein, are the property of Digital Equipment Corporation and shall not be reproduced or copied or used in whole or in part as the basis for the manufacture or sale of items without written permission.



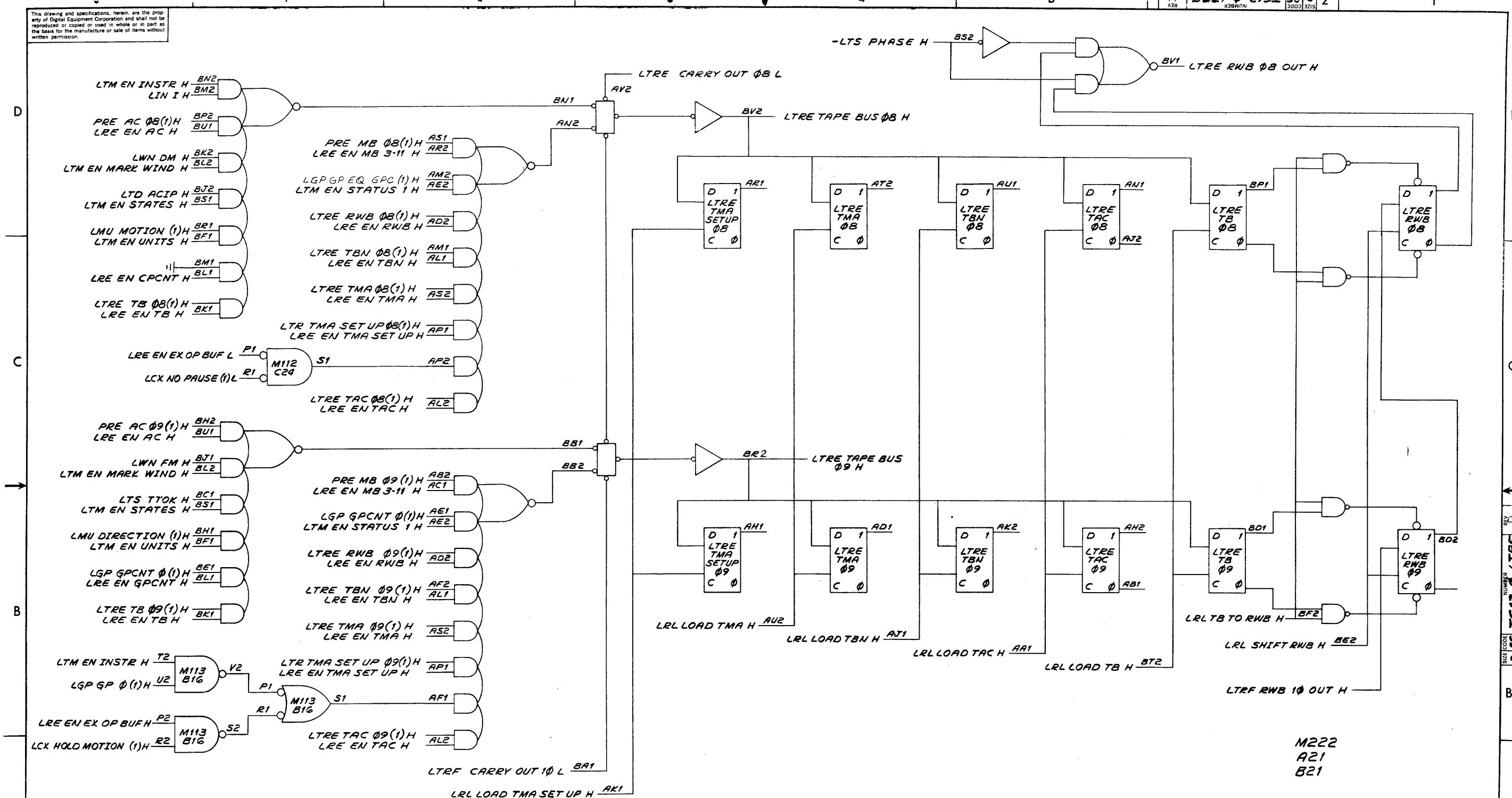
REV	CHANGE NO.	BY	DATE
1	0002	GALE	2-3-69
2	0003	GALE	2-3-69

QTY.	DESCRIPTION	PART NO.	ITEM NO.
	PARTS LIST		
	UNLESS OTHERWISE SPECIFIED DIMENSION IN INCHES TOLERANCES DECIMALS FRACTIONS ANGLES ± .005 ± 1/64 ± 0°30' FINAL SURFACE QUALITY REMOVE BURRS AND BREAK SHARP CORNERS		
	DRN: <i>[Signature]</i> DATE: 12-8-68 CHK: <i>[Signature]</i> DATE: 2/27/69 ENG: <i>[Signature]</i> DATE: 2-28-69 PROJ: <i>[Signature]</i> DATE: 2-28-69 PROD: <i>[Signature]</i> DATE: 2/28/69		
	MATERIAL: TC12 FINISH: SCALE: SHEET 1 OF 1		
	TITLE: LTRD BITS 6 & 7 SIZE CODE: D BS NUMBER: TC12-0-LTRD REV: B		

M222
A20
B20

REV B
NUMBER
D BS TC12-0-LTRD

This drawing and specifications, herein, are the property of Digital Equipment Corporation and shall not be reproduced or copied or used in whole or in part as the basis for the manufacture or sale of items without written permission.

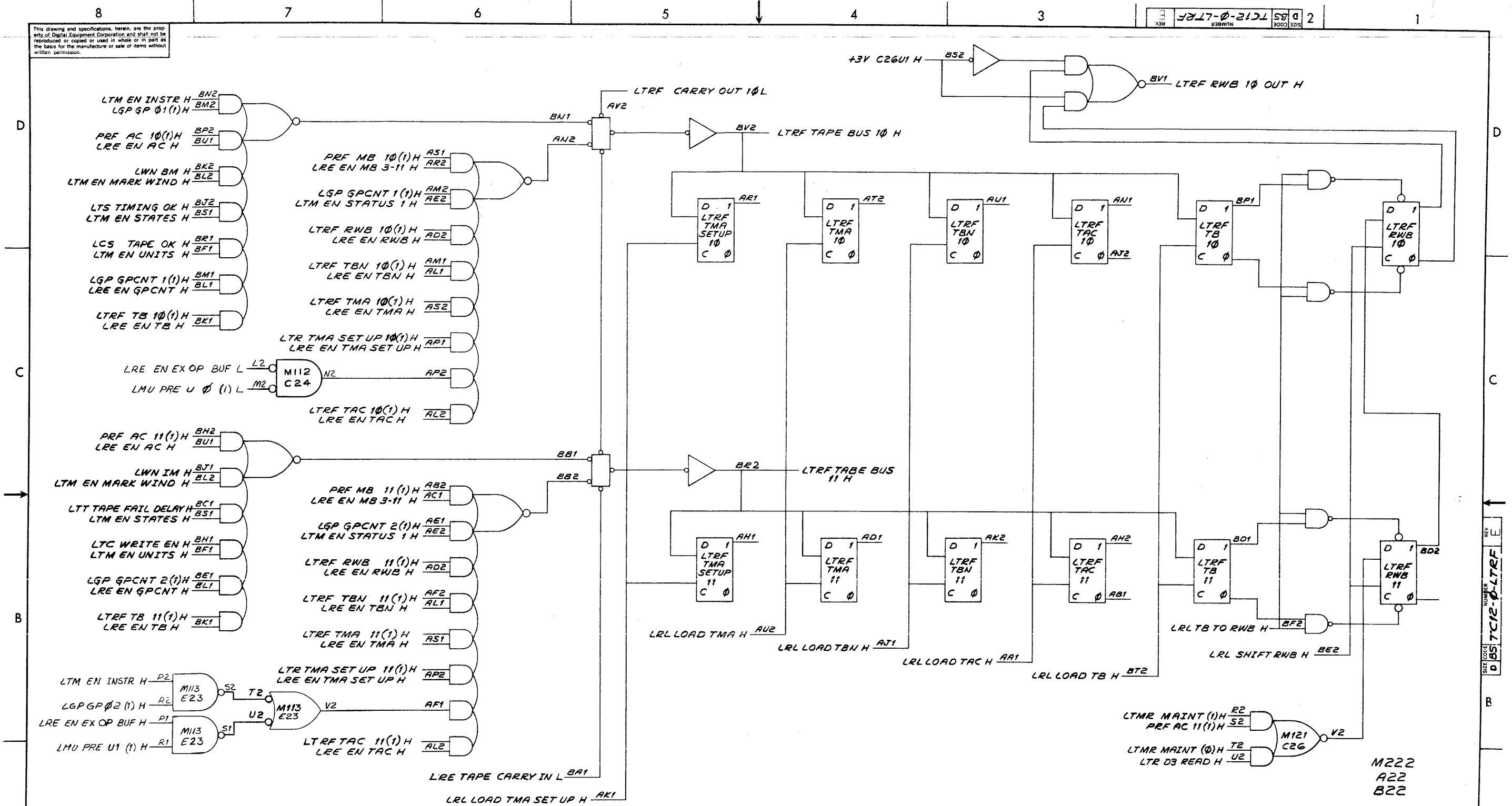


REV.	CHG. NO.	DATE	BY
A	00002	11/18/69	GALE
B	00007	12-18-69	GALE
C	00010	12-18-69	GALE

DEC FORM NO. DRD 1024

QTY.	DESCRIPTION	PART NO.	ITEM NO.
	PARTS LIST		
	UNLESS OTHERWISE SPECIFIED		
	DIMENSION IN INCHES		
	TOLERANCES		
	DECIMALS FRACTIONS ANGLES		
	± .005 ± 1/64 ± 0°30'		
	FINAL SURFACE QUALITY		
	REMOVE BURRS AND BREAK SHARP CORNERS		
	MATERIAL		
	FINISH		
	SCALE		
	SHEET / OF /		
	DISTR.		
	DATE 12-8-69		
	DATE 2/2/69		
	DATE 2-18-69		
	DATE 2/28/69		
	FIRST USED ON TC12		
	TITLE LTRF CARRY OUT 10 L		
	LTRF RWB 8&9		
	SIZE CODE D85		
	NUMBER TC12-0-LTRF		
	REV. B		

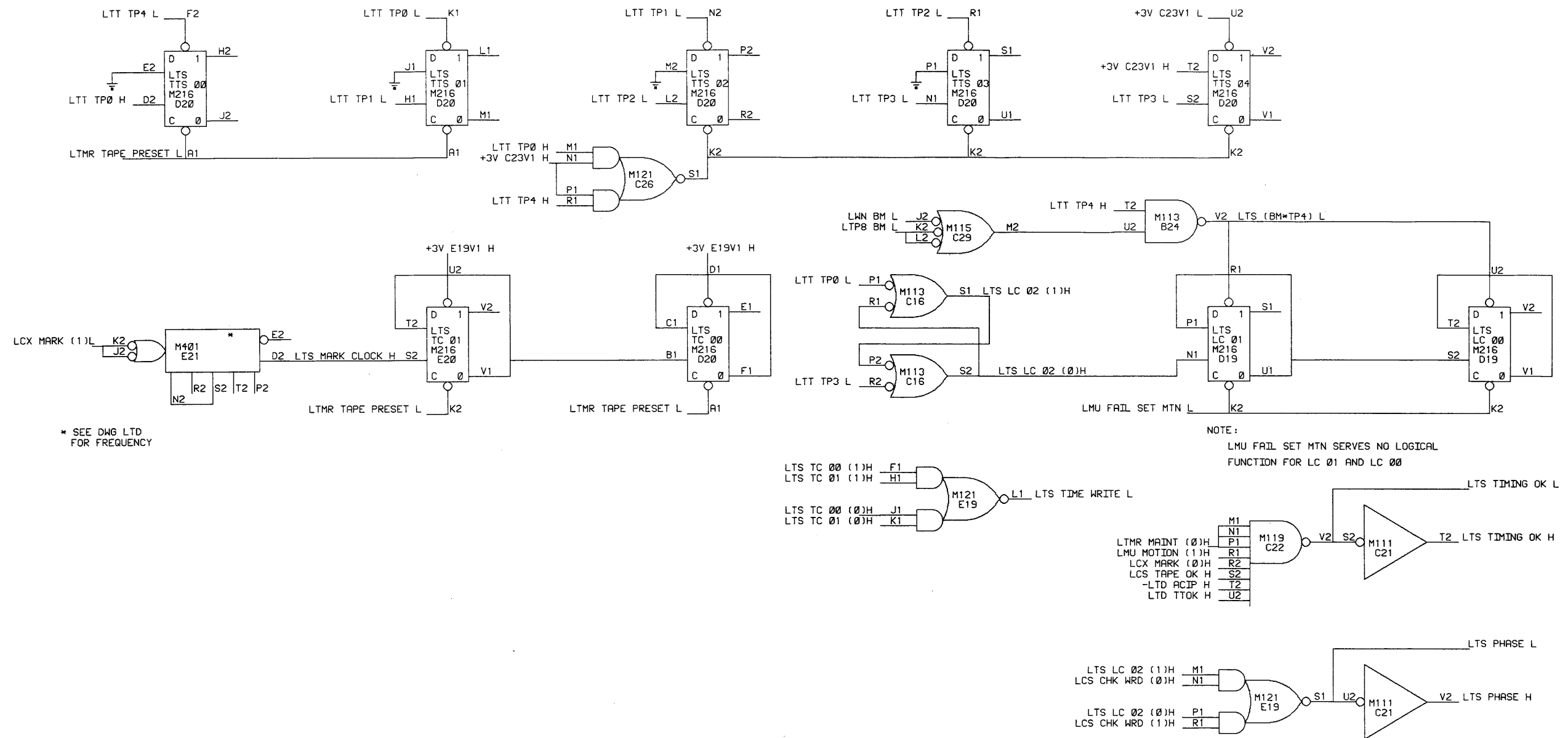
This drawing and specifications, herein, are the property of Digital Equipment Corporation and shall not be reproduced or copied or used in whole or in part as the basis for the manufacture or sale of items without written permission.



REV.	CHG. NO.	BY	DATE
A	00002	L. GALE	11-11-69
B	00003	T. GALE	11-11-69
C	00005	L. GALE	11-11-69
D	00007	L. GALE	11-11-69
E	00009	L. GALE	11-11-69

QTY.	DESCRIPTION	PART NO.	ITEM NO.
	PARTS LIST		
	UNLESS OTHERWISE SPECIFIED		
	DIMENSION IN INCHES		
	TOLERANCES		
	DECIMALS FRACTIONS ANGLES		
	= .005 ± 1/64 ± 0°30'		
	FINAL SURFACE QUALITY		
	REMOVE BURRS AND BREAK SHARP CORNERS		
	MATERIAL		
	FINISH		
	UNLESS OTHERWISE SPECIFIED		
	DRN	DATE	12-8-68
	CHK	DATE	2/27/69
	ENG	DATE	2-28-69
	PROV	DATE	3-18-69
	PROB	DATE	7/1/65
	TITLE		
	LTRF BITS 10 & 11		
	FIRST USED ON		
	TC12		
	SCALE	SHEET	OF
	SIZE CODE		NUMBER
	D BS TC12-0-LTRF		REV
			E

This drawing and specifications, herein, are the property of Digital Equipment Corporation and shall not be reproduced or copied or used in whole or in part as the basis for the manufacture or sale of items without written permission.

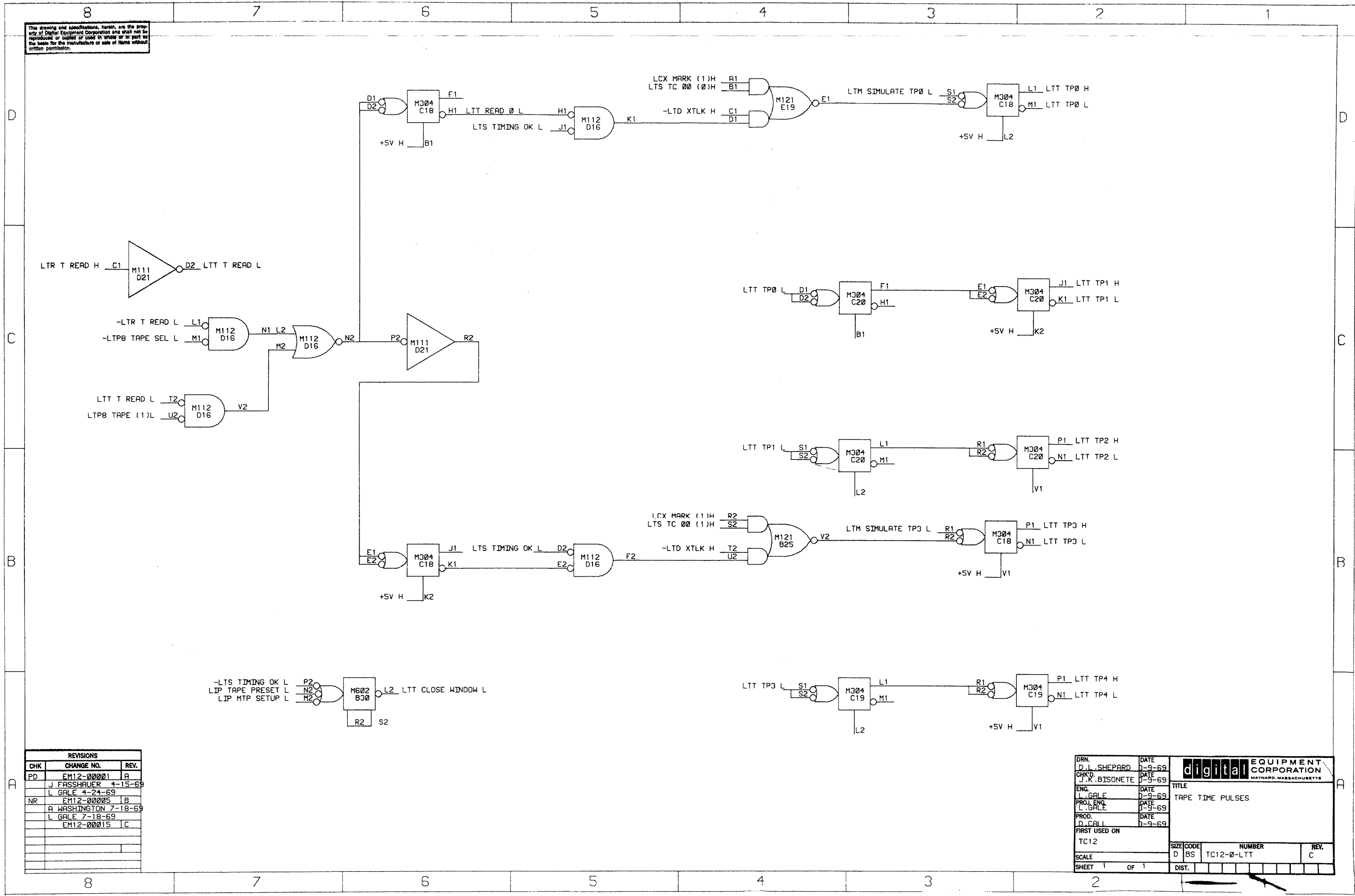


REVISIONS		
CHK	CHANGE NO.	REV.
	EM12-00002	A
J	SCANLAN 6-18-69	
A	WASHINGTON 6-5-69	
NR	EM12-00003	B
A	WASHINGTON 7-69	
J	SCANLAN 7-8-69	
ad	EM12-00015	C
K	82000	
J	SCANLAN	
ad	EM12-00022	D
	112-170	
	112-170	

DRN.	DATE	digital EQUIPMENT CORPORATION MAYNARD, MASSACHUSETTS
D. J. SHEPARD	8-9-69	
CHK'D.	DATE	TITLE TAPE STATES
J. K. BISONETE	8-9-69	
ENG.	DATE	SIZE CODE
L. GALE	8-9-69	
PROJ. ENG.	DATE	NUMBER
L. GALE	8-9-69	
PROD.	DATE	REV.
D. CALL	8-9-69	
FIRST USED ON		SHEET 1 OF 1
TC12		
SCALE	D BS	TC12-0-LTS
	DIST.	

8 7 6 5 4 3 2 1

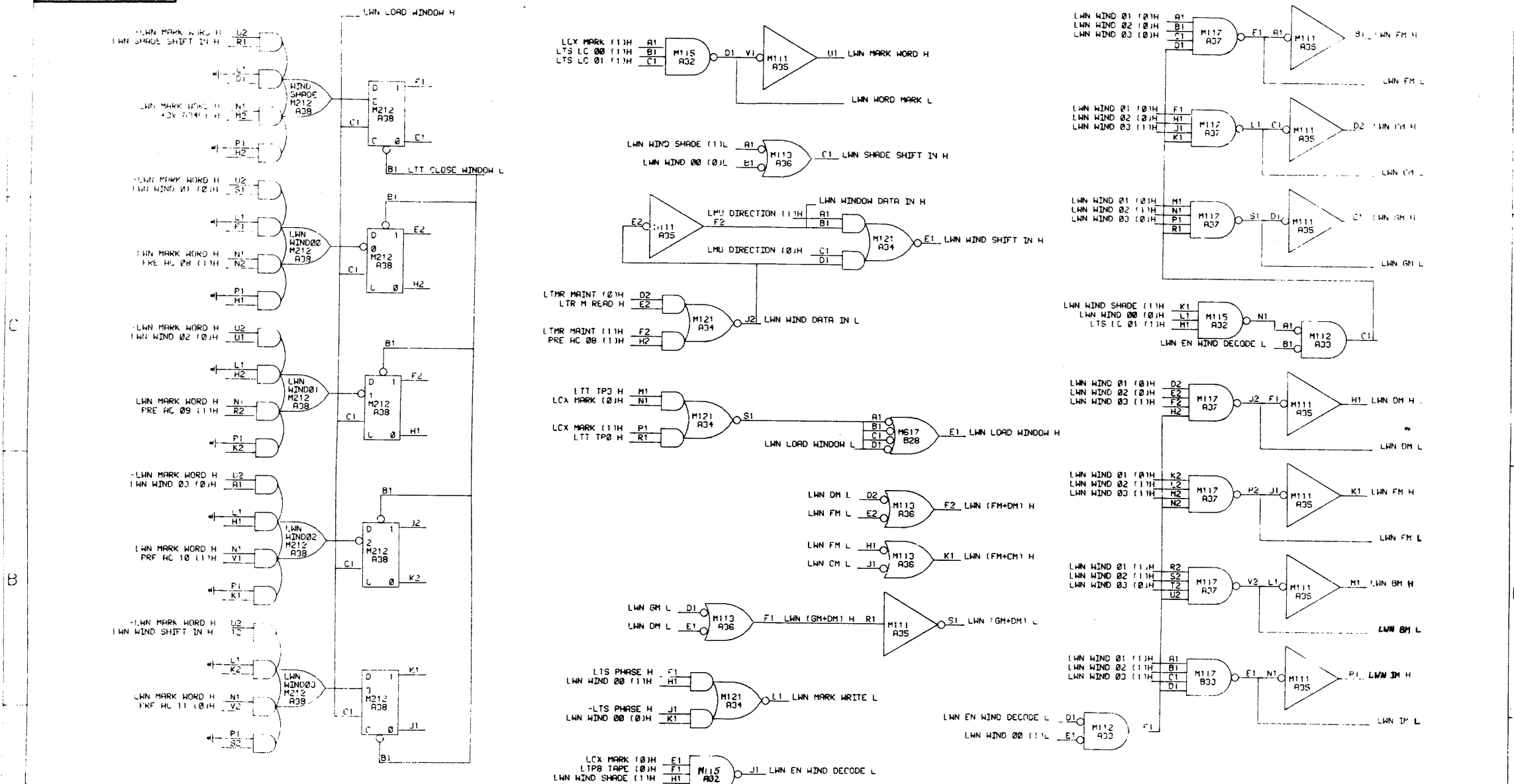
This drawing and specifications, herein, are the property of Digital Equipment Corporation and shall not be reproduced or copied in whole or in part as the basis for the manufacture or sale of items without written permission.



REVISIONS		
CHK	CHANGE NO.	REV.
PD	EM12-00001	A
J	FASSHAWER	4-15-69
L	GALE	4-24-69
NR	EM12-00005	B
A	WASHINGTON	7-18-69
L	GALE	7-18-69
	EM12-00015	C

DRN. D. L. SHEPARD	DATE 2-9-69	 <small>MAYNARD, MASSACHUSETTS</small>
CHK'D. J. K. BISONETE	DATE 3-9-69	
ENG. L. GALE	DATE 2-9-69	TITLE TAPE TIME PULSES
PROJ. ENG. L. GALE	DATE 1-9-69	
PROD. D. CALL	DATE 3-9-69	
FIRST USED ON TC12		
SCALE D BS	SIZE CODE TC12-0-LTT	NUMBER REV. C
SHEET 1 OF 1	DIST.	

This drawing and specifications, herein, are the property of Digital Equipment Corporation and shall not be reproduced or copied in whole or in part without the written permission of Digital Equipment Corporation.



REVISIONS		
CHK	CHANGE NO.	REV.
NR	CM12-00005	A
	J. FRASCHNER 4-15-69	
	L. GALE 4-29-69	
	CM12-00015	B
	KEN BOGGS 10-14-69	
	J. SCARLAN 10-17-69	
NR	CM12-00022	C
	A. WASHINGTON 12-13-69	
	J. SCARLAN 3-16-70	
	CM12-00041	D
	J. SCARLAN 4-16-70	

D. SHEPARD	3-9-69	EQUIPMENT CORPORATION MAYNARD, MASSACHUSETTS
B. BISONNETE	3-9-69	
L. GALE	3-9-69	
L. GALE	3-9-69	
D. CHILL	3-9-69	
PART USED ON TC12		TITLE TAPE MARK WINDOW
NO. CODE D 05	NUMBER TC12-B-LWN	REV. D
SHEET 1 OF 1		DIST.

BLANK PAGE